



US00D703237S

(12) **United States Design Patent**  
**Choi et al.**

(10) **Patent No.:** **US D703,237 S**

(45) **Date of Patent:** **\*\* Apr. 22, 2014**

(54) **BLU-RAY DISK PLAYER**

(75) Inventors: **Su-An Choi**, Seoul (KR); **Chae-Joo Son**, Kyunggi-do (KR)

(73) Assignee: **Samsung Electronics Co., Ltd.**, Suwon-si, Gyeonggi-do (KR)

(\*\*) Term: **14 Years**

(21) Appl. No.: **29/430,049**

(22) Filed: **Aug. 21, 2012**

(30) **Foreign Application Priority Data**

Apr. 20, 2012 (KR) ..... 30-2012-0018945

(51) **LOC (10) Cl.** ..... **14-03**

(52) **U.S. Cl.**  
USPC ..... **D14/502**

(58) **Field of Classification Search**  
USPC ..... D13/103; D14/135, 168, 172, 188, 204,  
D14/207, 210–216, 498, 499; D26/72;  
181/147, 148, 150–153, 157, 198, 199;  
360/99.02, 99.07; 369/75.11, 75.21,  
369/77.11, 77.21; 381/300–303, 306, 332,  
381/333, 336, 345; 455/344, 347–351  
See application file for complete search history.

(56) **References Cited**

**U.S. PATENT DOCUMENTS**

D263,588 S \* 3/1982 Hillmer ..... D14/150  
D302,011 S \* 7/1989 Yoshiharu ..... D14/142

D498,225 S \* 11/2004 Takeuchi et al. .... D14/188  
D510,926 S \* 10/2005 Jerome ..... D14/500  
D540,286 S 4/2007 Lim  
D576,581 S 9/2008 Son et al.  
D590,391 S \* 4/2009 Sumii ..... D14/356  
D595,736 S 7/2009 Son et al.  
D610,572 S \* 2/2010 Skurdal ..... D14/216  
D637,994 S \* 5/2011 Chae et al. .... D14/188  
D647,502 S \* 10/2011 Holzer ..... D14/171  
D659,680 S \* 5/2012 Kim et al. .... D14/216  
D687,809 S \* 8/2013 Bergmann et al. .... D14/209.1  
D692,413 S \* 10/2013 Holzer ..... D14/216

\* cited by examiner

*Primary Examiner* — Thomas Johannes

*Assistant Examiner* — Janice Lim

(74) *Attorney, Agent, or Firm* — Flynn, Thiel, Boutell & Tanis, P.C.

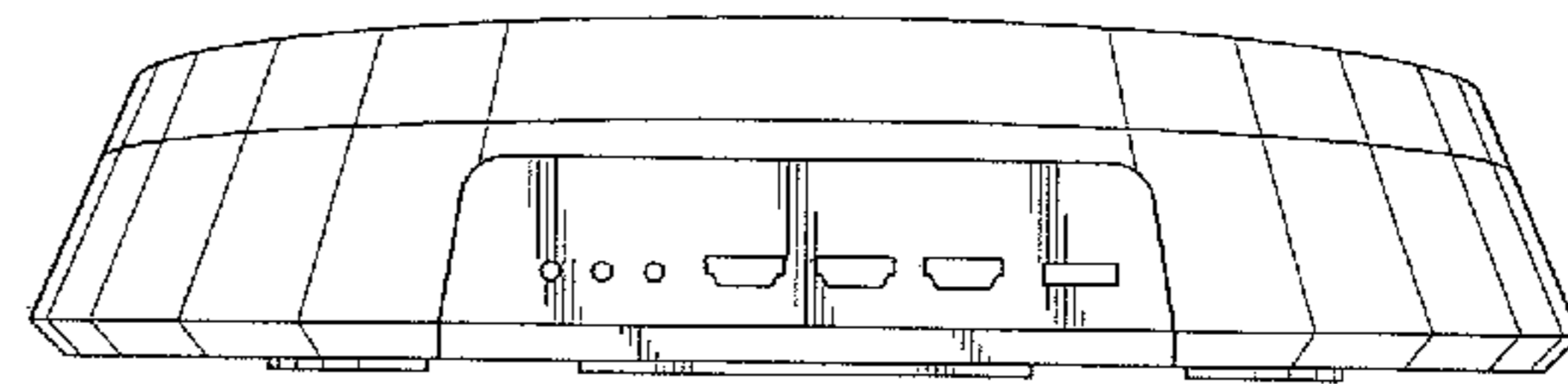
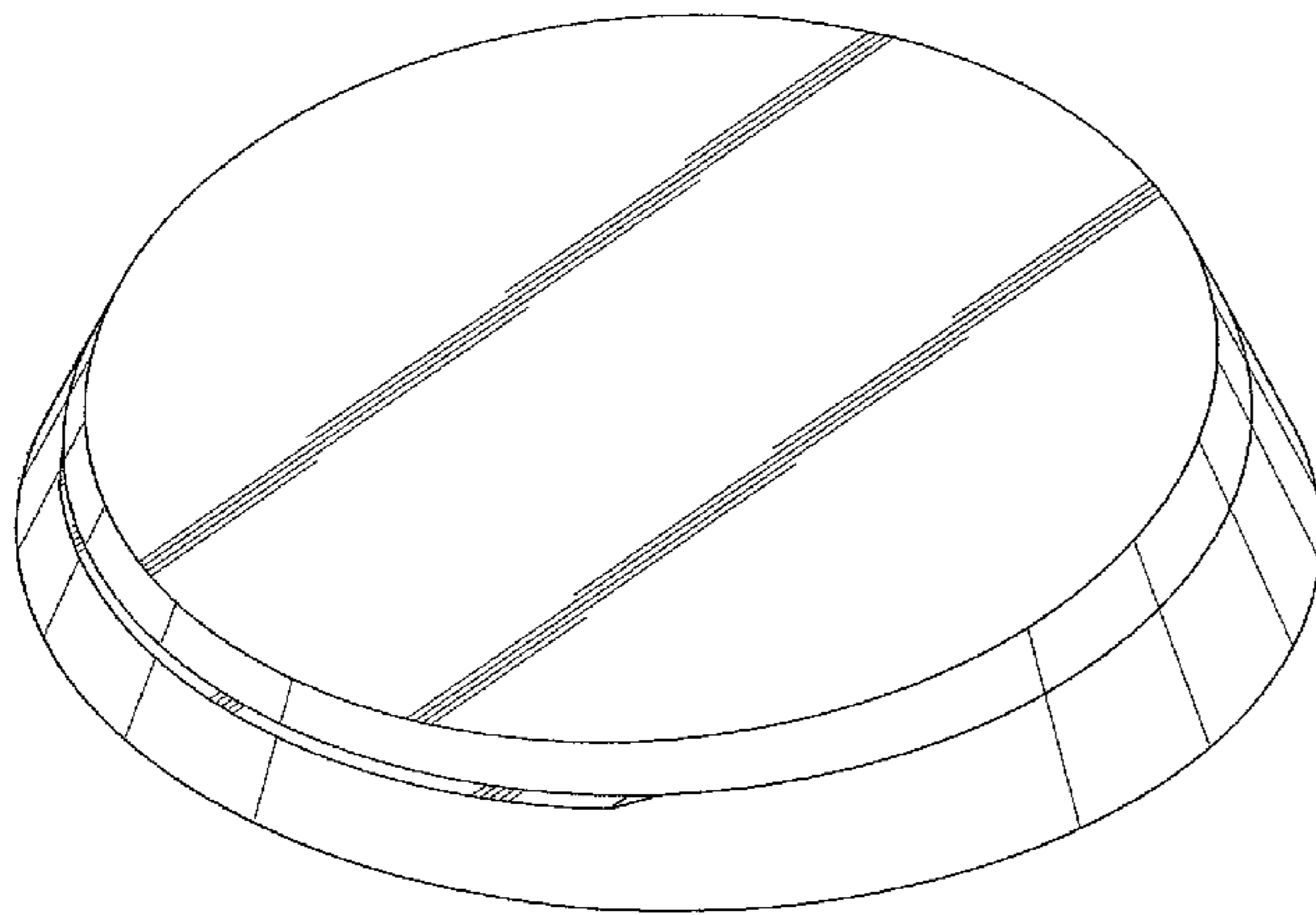
(57) **CLAIM**

The ornamental design for a blu-ray disk player, as shown and described.

**DESCRIPTION**

FIG. 1 is a top front perspective view of a blu-ray disk player showing my new design;  
FIG. 2 is a front elevation view thereof;  
FIG. 3 is a rear elevation view thereof;  
FIG. 4 is a left side elevation view thereof;  
FIG. 5 is a right side elevation view thereof;  
FIG. 6 is a top plan view thereof; and,  
FIG. 7 is a bottom plan view thereof.

**1 Claim, 3 Drawing Sheets**



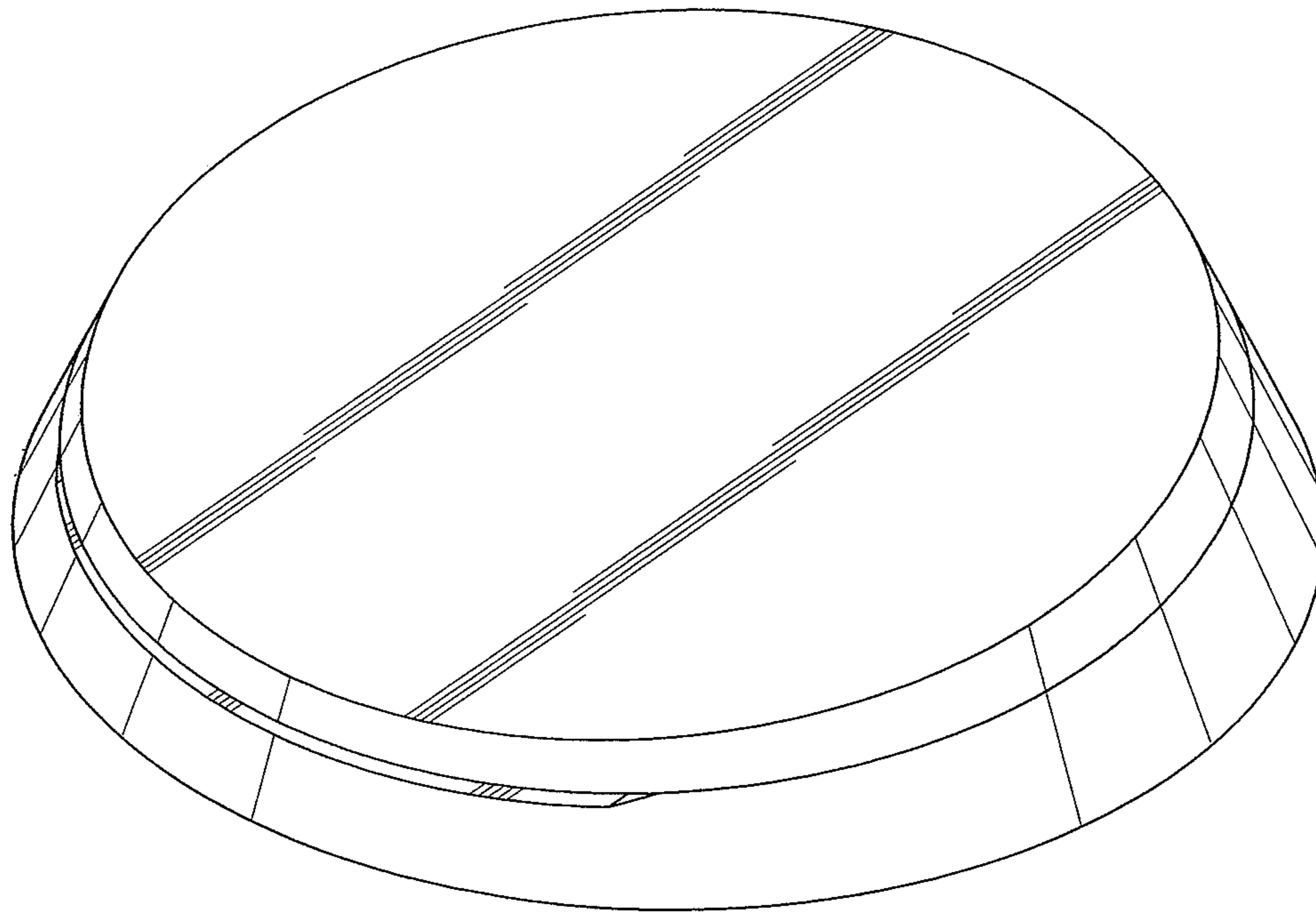


FIG.1

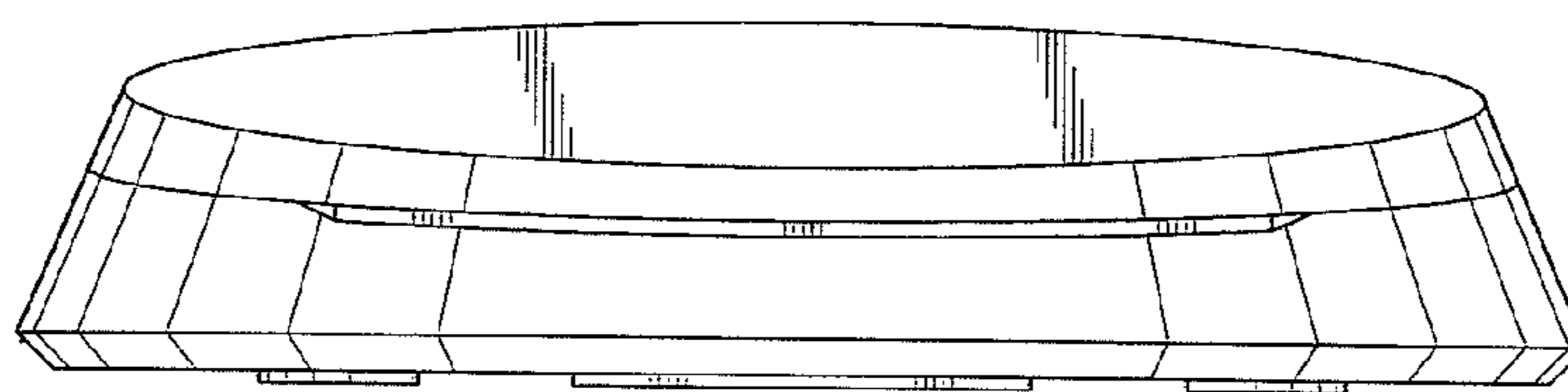


FIG. 2

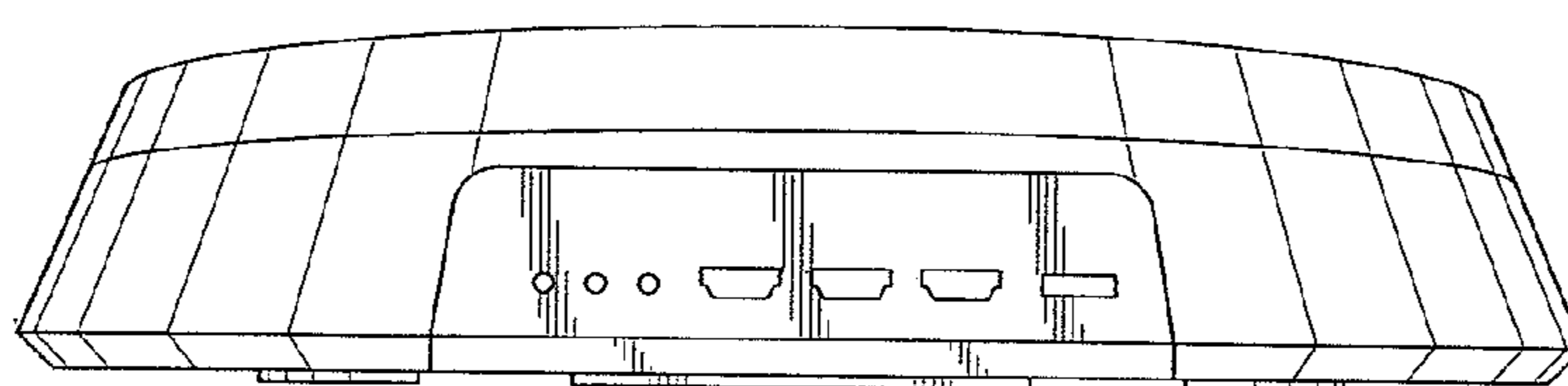


FIG. 3

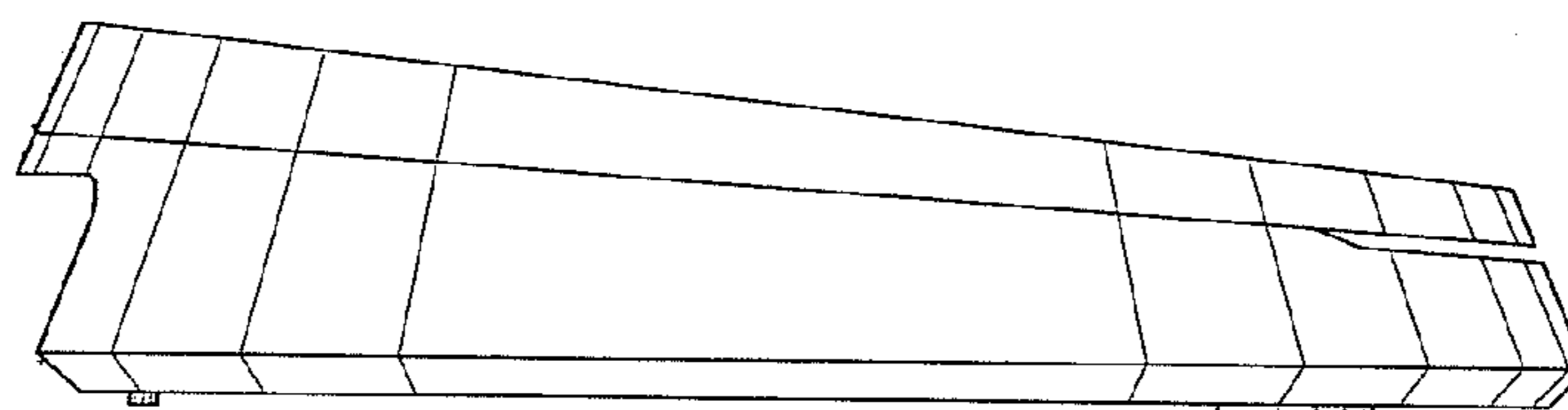


FIG. 4

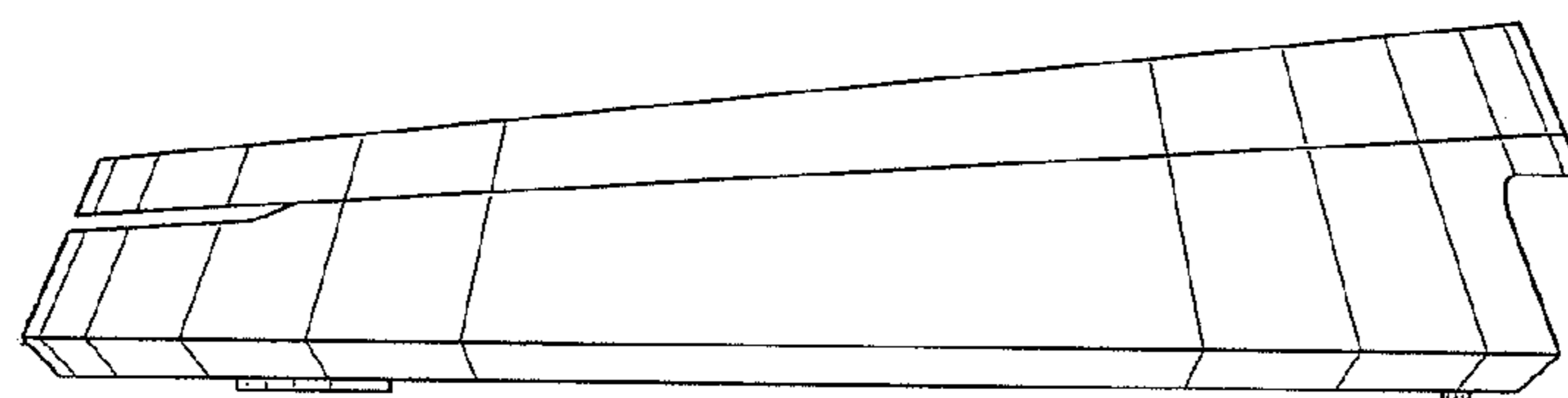


FIG. 5

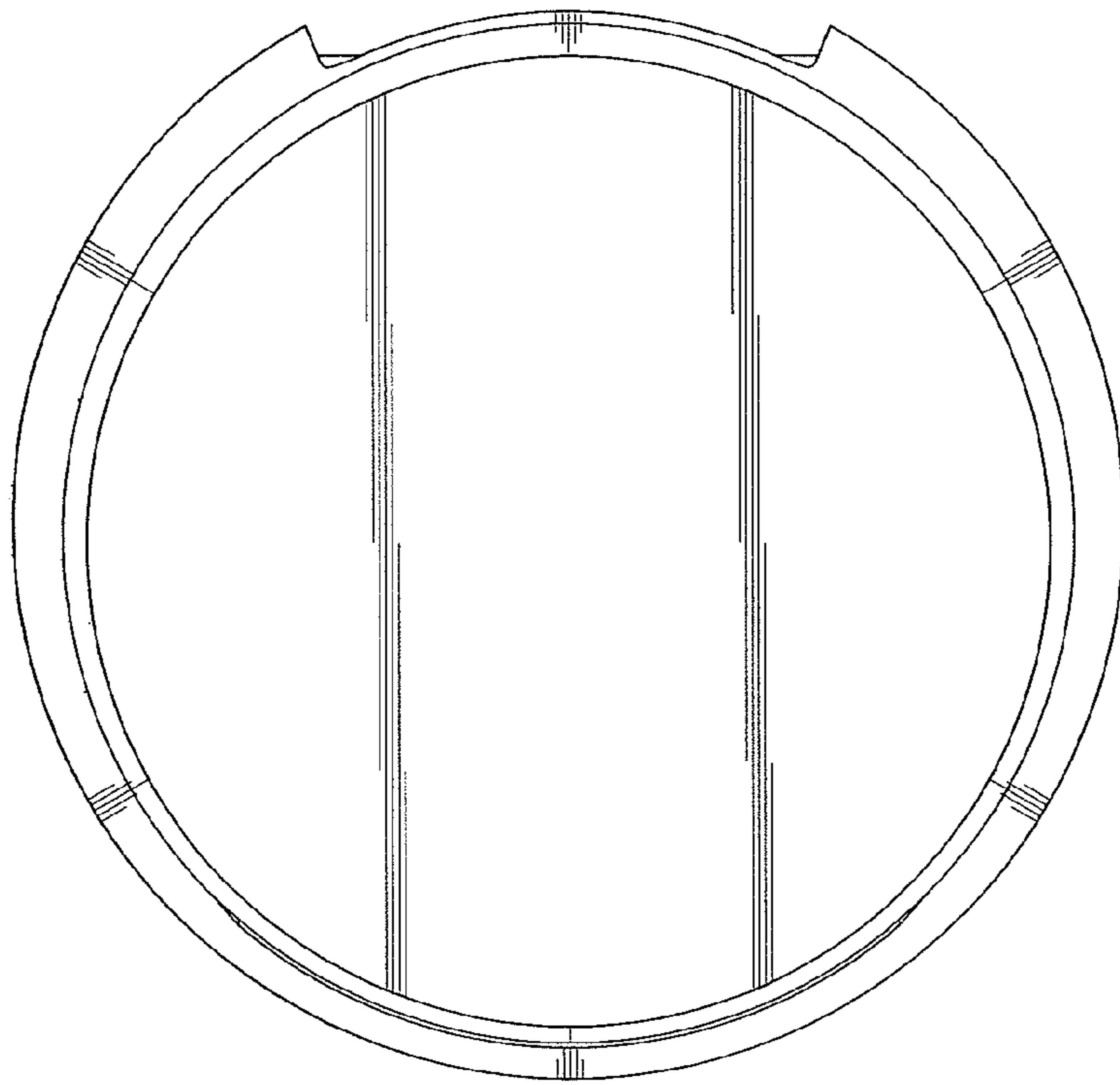


FIG. 6

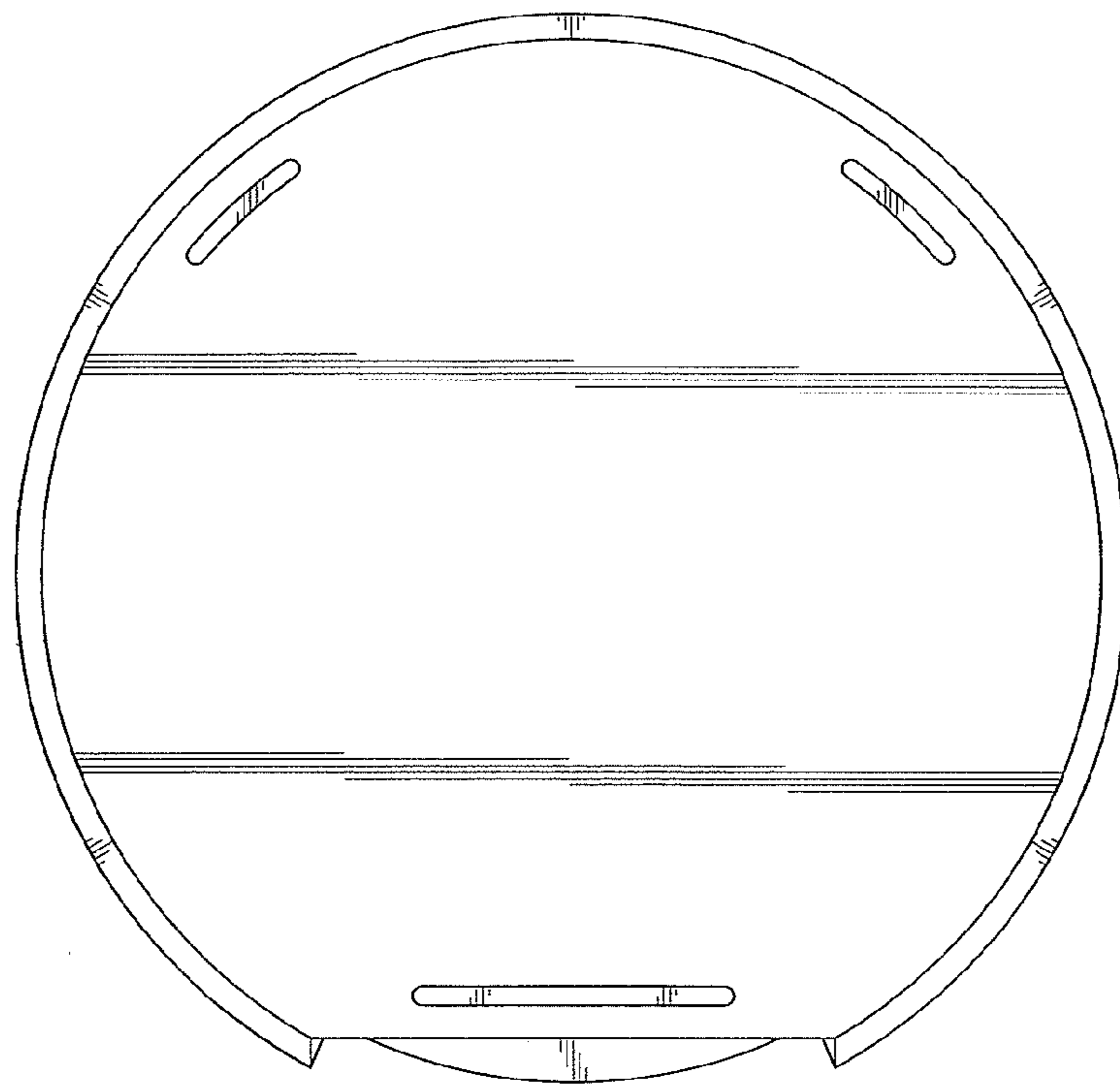


FIG. 7