



US00D703225S

(12) **United States Design Patent**
Hatta

(10) **Patent No.:** **US D703,225 S**
(45) **Date of Patent:** **** Apr. 22, 2014**

(54) **REMOTE CONTROLLER WITH GRAPHICAL USER INTERFACE**

(71) Applicant: **Hidetoshi Hatta**, Chiyoda-Ku (JP)

(72) Inventor: **Hidetoshi Hatta**, Chiyoda-Ku (JP)

(73) Assignee: **Mitsubishi Electric Corporation**, Tokyo (JP)

(**) Term: **14 Years**

(21) Appl. No.: **29/450,544**

(22) Filed: **Mar. 19, 2013**

(30) **Foreign Application Priority Data**

Sep. 20, 2012 (JP) 2012-022687

(51) **LOC (10) Cl.** **14-04**

(52) **U.S. Cl.**
USPC **D14/486**

(58) **Field of Classification Search**
USPC D13/162, 164, 168; D10/49, 50;
D14/218, 443, 486, 487, 485-495;
236/1 C, 51; 341/22, 34, 176, 333;
345/156, 169, 173; 348/734; 340/4.3,
340/4.31, 4.42, 12.22, 12.23, 12.24, 13.21,
340/13.24, 12.28, 12.5; 463/39; 455/352;
700/17, 65, 83, 276, 277, 278;
715/200, 700, 762, 744, 760, 763, 746,
715/747, 733, 736, 751, 752, 753, 702, 716,
715/769, 764, 765; 709/204, 206, 217, 219,
709/223

See application file for complete search history.

(56) **References Cited**

U.S. PATENT DOCUMENTS

D310,660 S * 9/1990 Ishida D14/399
5,369,740 A * 11/1994 Naylor 700/17
D364,573 S * 11/1995 Pearsall D10/50

5,609,770 A * 3/1997 Zimmerman et al. 210/739
D444,793 S * 7/2001 Richter D14/486
D450,305 S * 11/2001 Masuzoe et al. D13/168
D464,328 S * 10/2002 Vasquez et al. D13/164
D478,051 S * 8/2003 Sagawa D13/168
D478,595 S * 8/2003 Istvan et al. D14/486
D478,895 S * 8/2003 Oikawa D14/218
D486,834 S * 2/2004 Allen et al. D14/486
D492,665 S * 7/2004 Lee D14/218
D492,691 S * 7/2004 Kortis D14/486
D493,148 S * 7/2004 Shibata et al. D13/168
D501,463 S * 2/2005 Hisatsune D14/218
D512,691 S * 12/2005 Hisatsune D13/164
7,010,756 B2 * 3/2006 Nagasaka et al. 715/810
7,047,092 B2 * 5/2006 Wimsatt 700/83
D525,982 S * 8/2006 Suzuki D14/486
D527,011 S * 8/2006 Bixler D14/486
7,152,806 B1 * 12/2006 Rosen 236/94

(Continued)

Primary Examiner — Kevin Rudzinski

(74) *Attorney, Agent, or Firm* — Sughrue Mion, PLLC

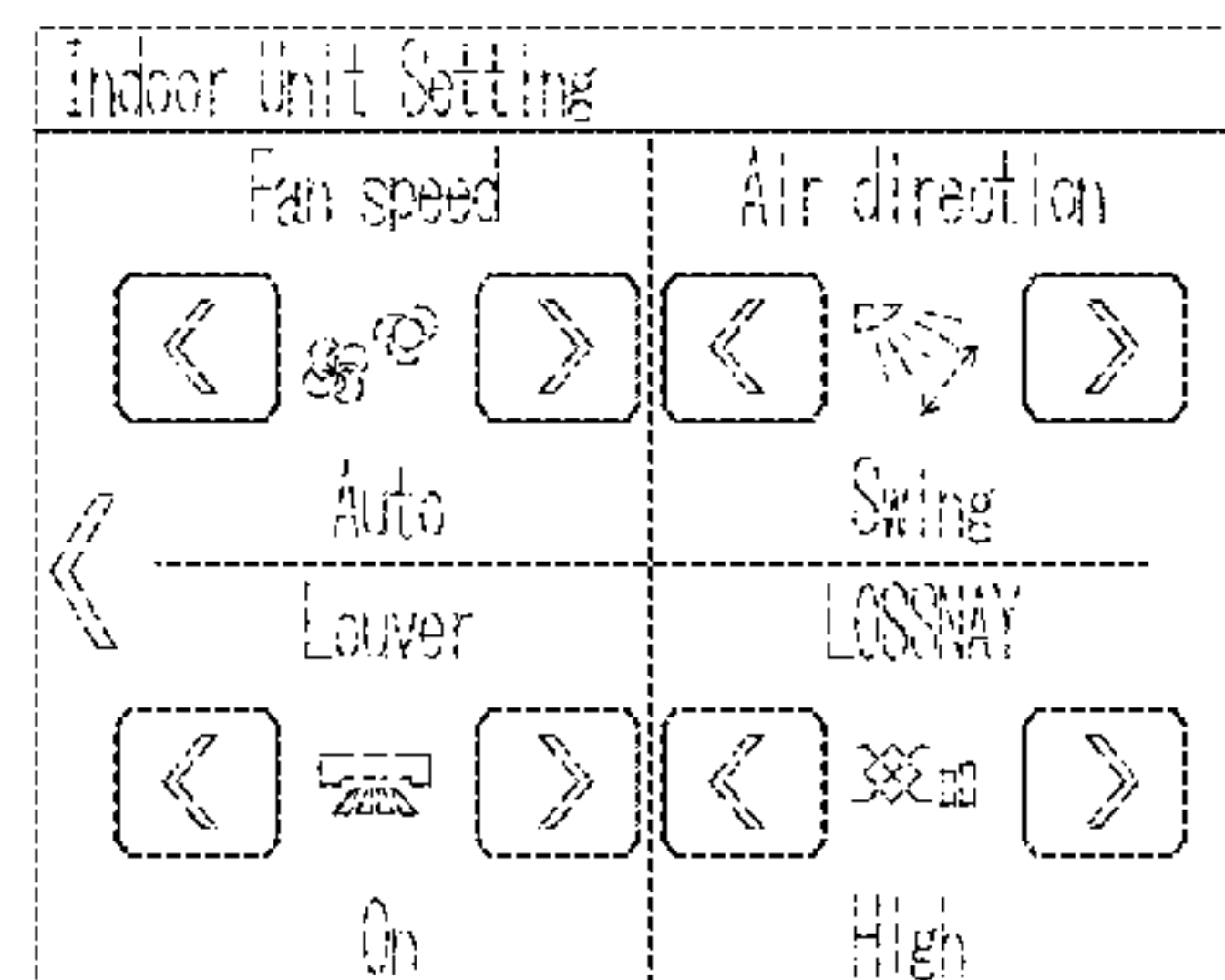
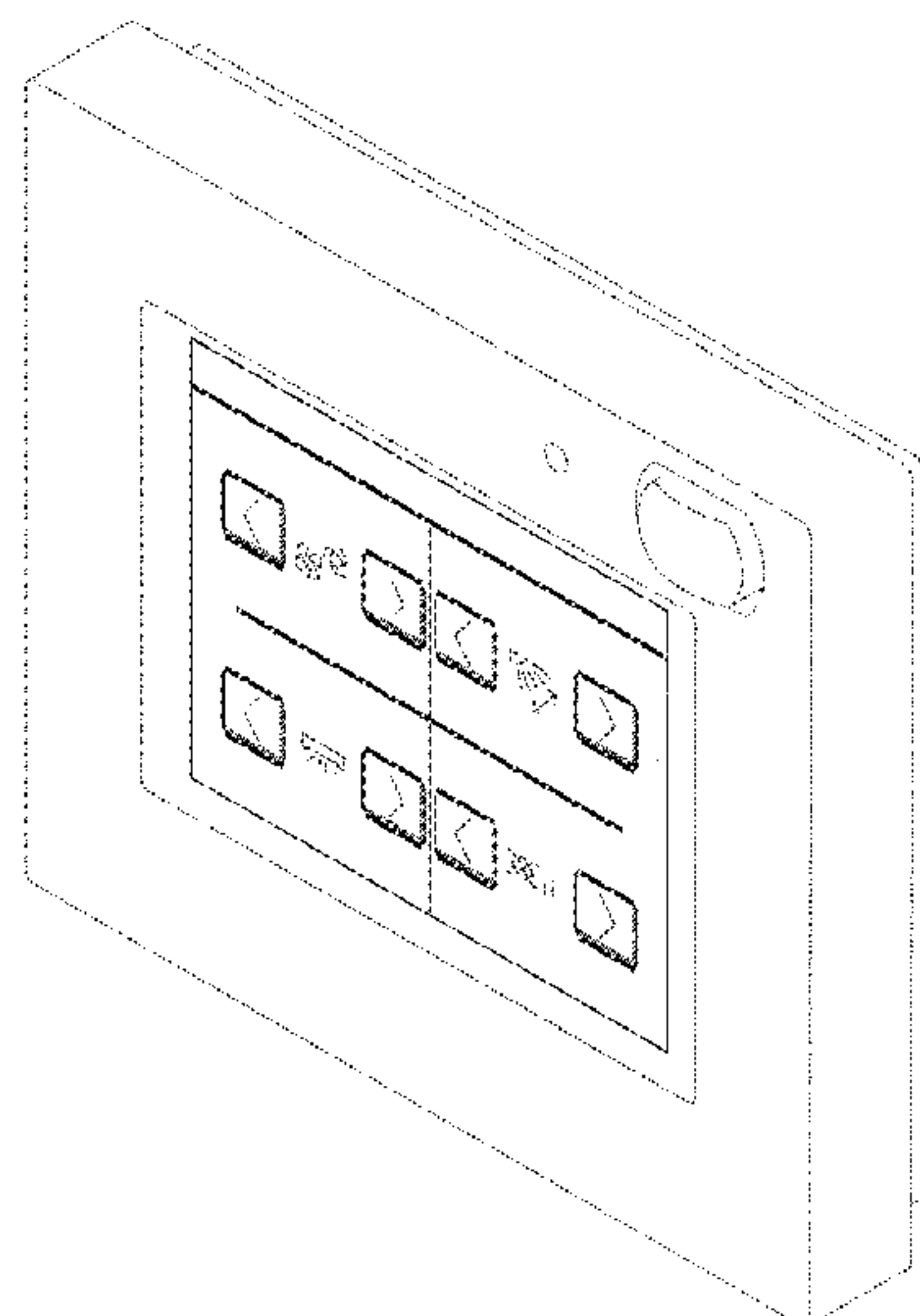
(57) **CLAIM**

The ornamental design for a remote controller with graphical user interface, as shown and described.

DESCRIPTION

FIG. 1 is a front, top and right side perspective view of a remote controller with graphical user interface, showing my new design;
FIG. 2 is a front elevational view thereof;
FIG. 3 is a rear elevational view thereof;
FIG. 4 is a left side elevational view thereof;
FIG. 5 is a right side elevational view thereof;
FIG. 6 is a top plan view thereof;
FIG. 7 is a bottom plan view thereof;
FIG. 8 is an enlarged screen image thereof; and,
FIG. 9 is a reference enlarged screen image showing in use.
The broken lines showing the remote controller and portions of the graphical user interface in the drawings form no part of the claimed design.

1 Claim, 7 Drawing Sheets



(56)

References Cited

U.S. PATENT DOCUMENTS

D546,295 S * 7/2007 Marchetto et al. D13/168
 7,240,075 B1 * 7/2007 Nemirofsky et al. 1/1
 D570,363 S * 6/2008 Ulm et al. D14/487
 D575,792 S * 8/2008 Benson D14/486
 D586,355 S * 2/2009 Mori et al. D14/486
 D607,417 S * 1/2010 Liu D13/164
 D623,606 S * 9/2010 Nakai et al. D13/168
 D631,888 S * 2/2011 Vance et al. D14/486
 D632,699 S * 2/2011 Judy et al. D14/486
 D641,714 S * 7/2011 Kataoka et al. D13/168
 D641,715 S * 7/2011 Kataoka et al. D13/168
 D641,716 S * 7/2011 Kataoka et al. D13/168
 D642,544 S * 8/2011 Kataoka et al. D13/168
 D645,003 S * 9/2011 Kataoka et al. D13/168
 D649,557 S * 11/2011 Duchene D14/488
 D652,051 S * 1/2012 Judy et al. D14/486

D652,337 S * 1/2012 Molik D11/3
 D659,151 S * 5/2012 Loken et al. D14/485
 D665,396 S * 8/2012 Williams et al. D14/486
 D667,838 S * 9/2012 Magee et al. D14/486
 D670,659 S * 11/2012 Ishikawa et al. D13/168
 D691,164 S * 10/2013 Lim et al. D14/486
 D691,622 S * 10/2013 Shaffer D14/486
 D693,360 S * 11/2013 Gardner et al. D14/486
 D693,777 S * 11/2013 Sakai et al. D13/168
 2005/0229110 A1 * 10/2005 Gegner et al. 715/800
 2005/0281577 A1 * 12/2005 Tamura et al. 399/81
 2007/0247338 A1 * 10/2007 Marchetto 341/22
 2008/0273014 A1 * 11/2008 Lowles et al. 345/173
 2009/0139847 A1 * 6/2009 Yoon et al. 200/5 A
 2009/0242368 A1 * 10/2009 Chang et al. 200/310
 2010/0122897 A1 * 5/2010 Larsson 200/5 A
 2011/0037718 A1 * 2/2011 Stephanick et al. 345/173
 2013/0087628 A1 * 4/2013 Nelson et al. 236/51

* cited by examiner

Fig. 1

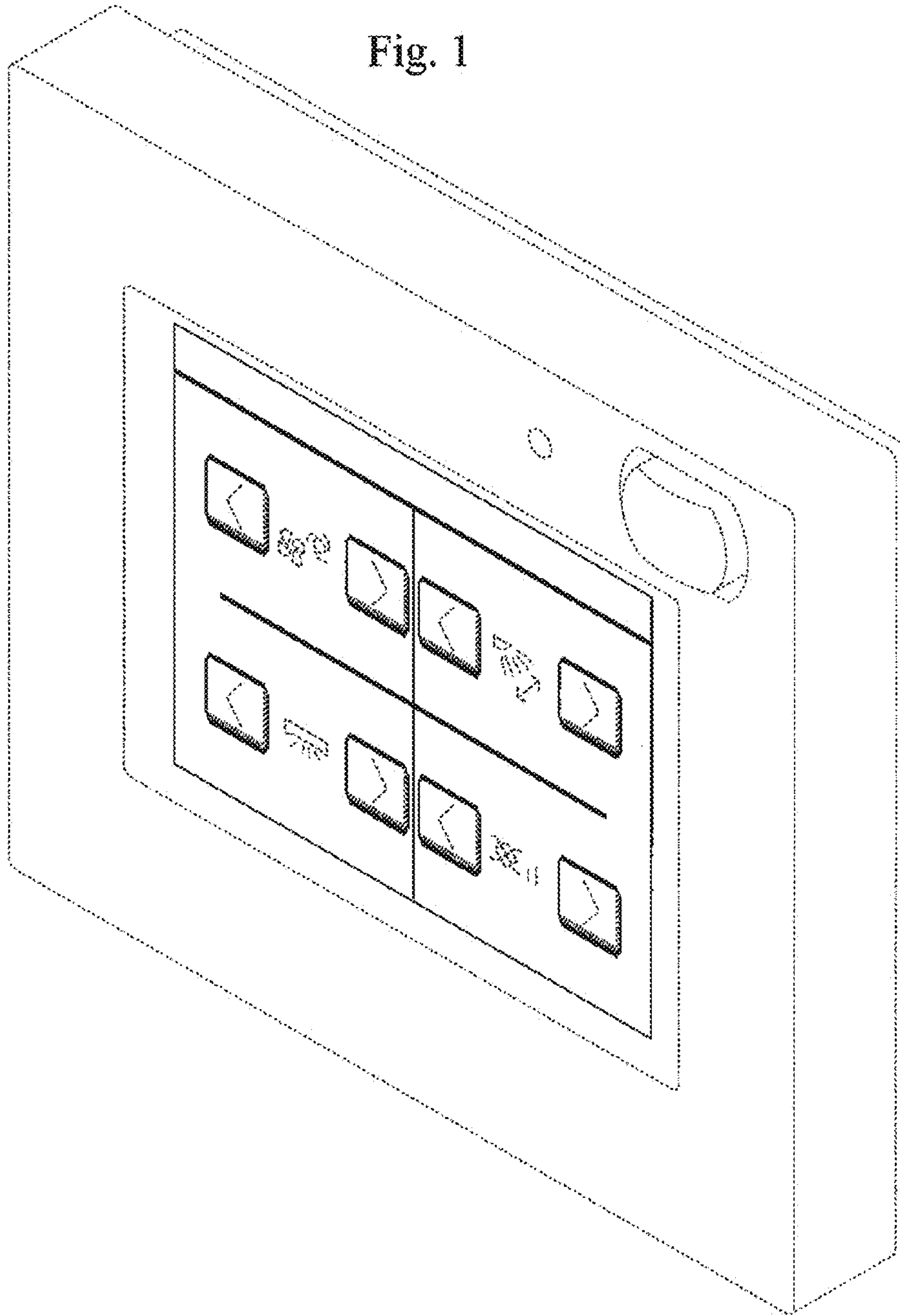


Fig. 2

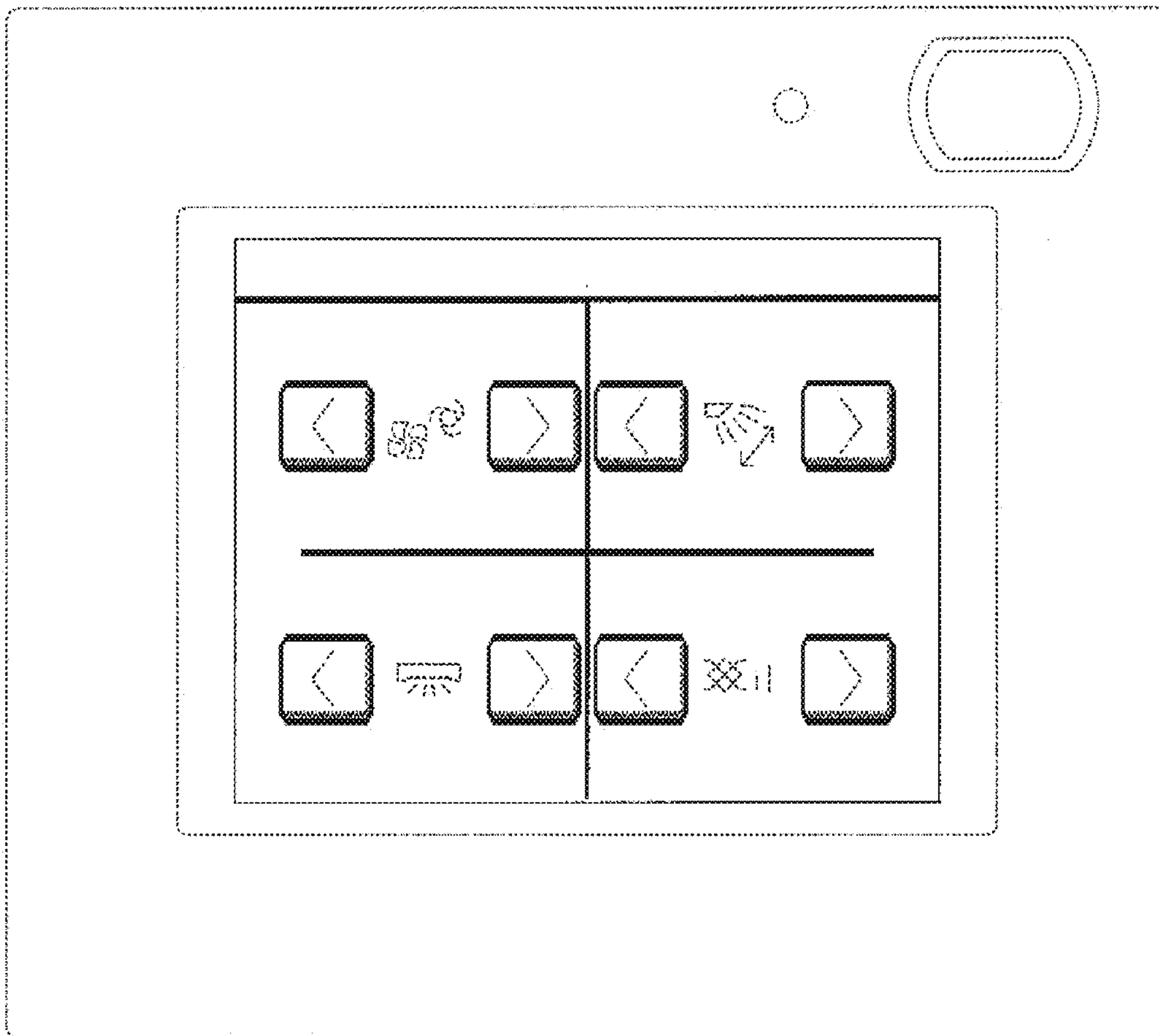


Fig. 3

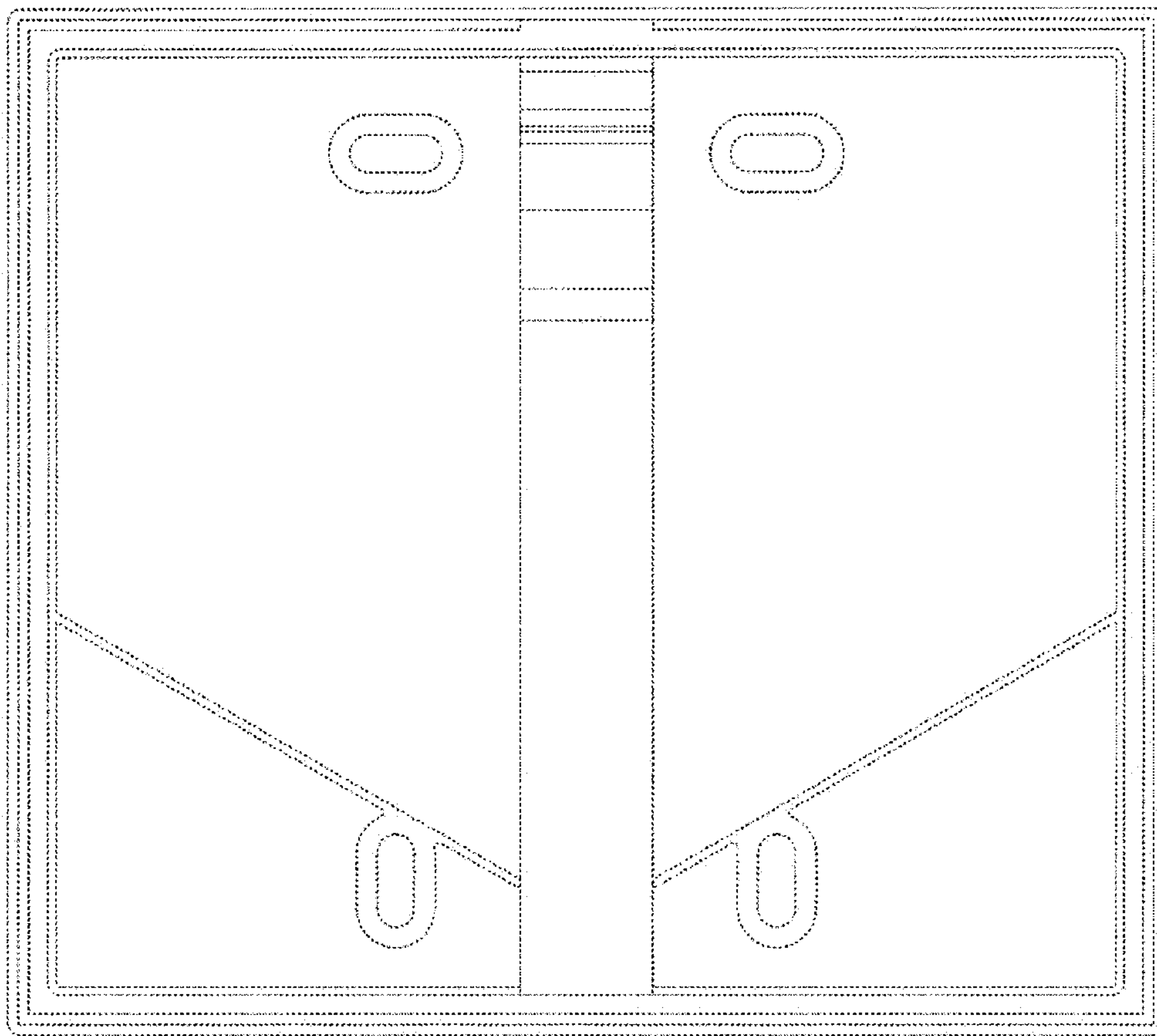


Fig. 4

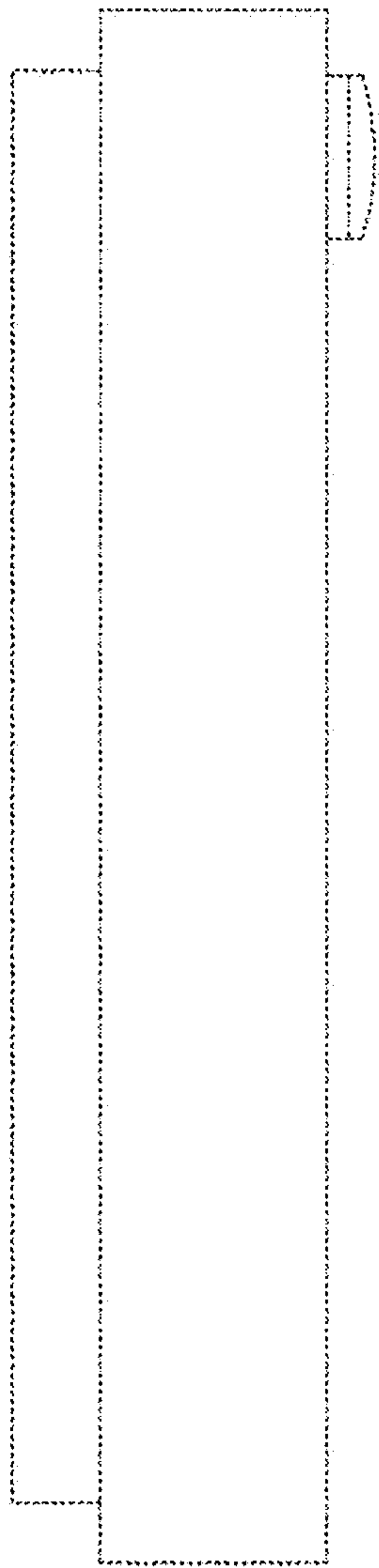


Fig. 5

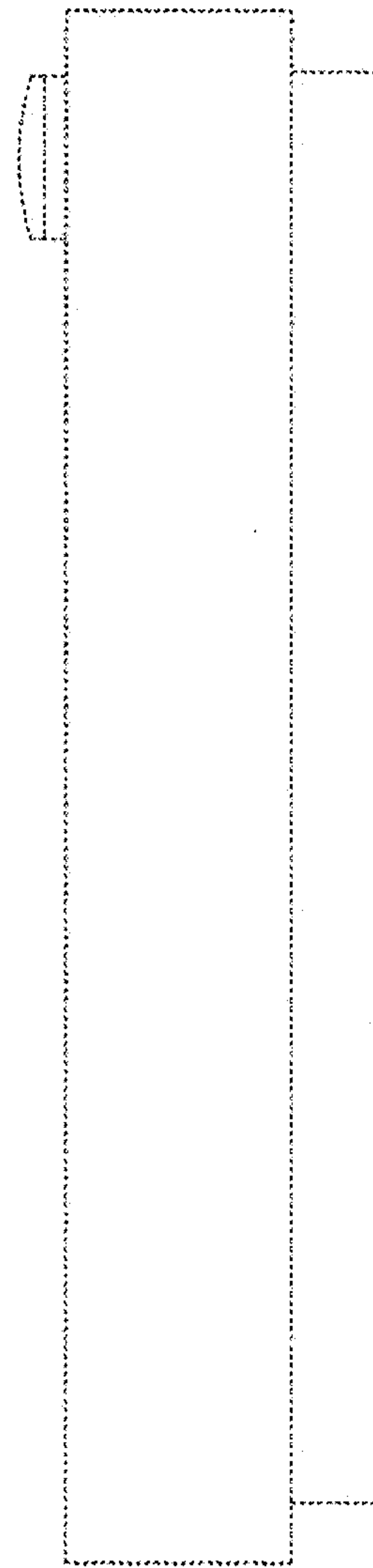


Fig. 6

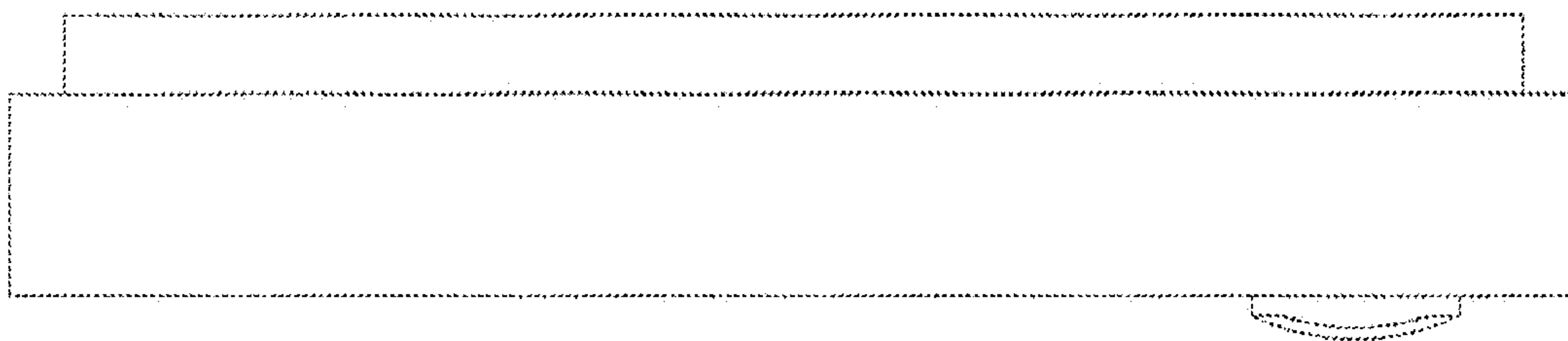


Fig. 7

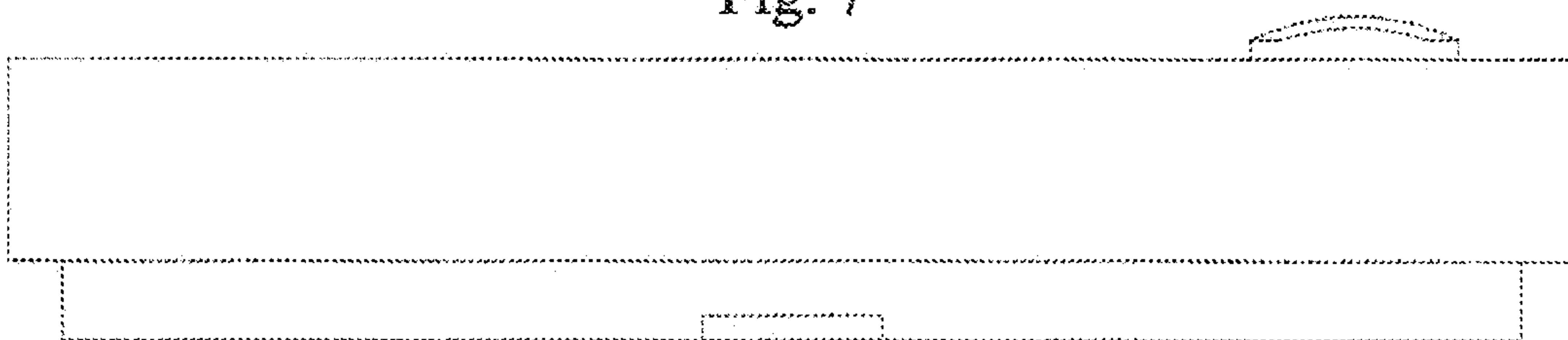


Fig. 8

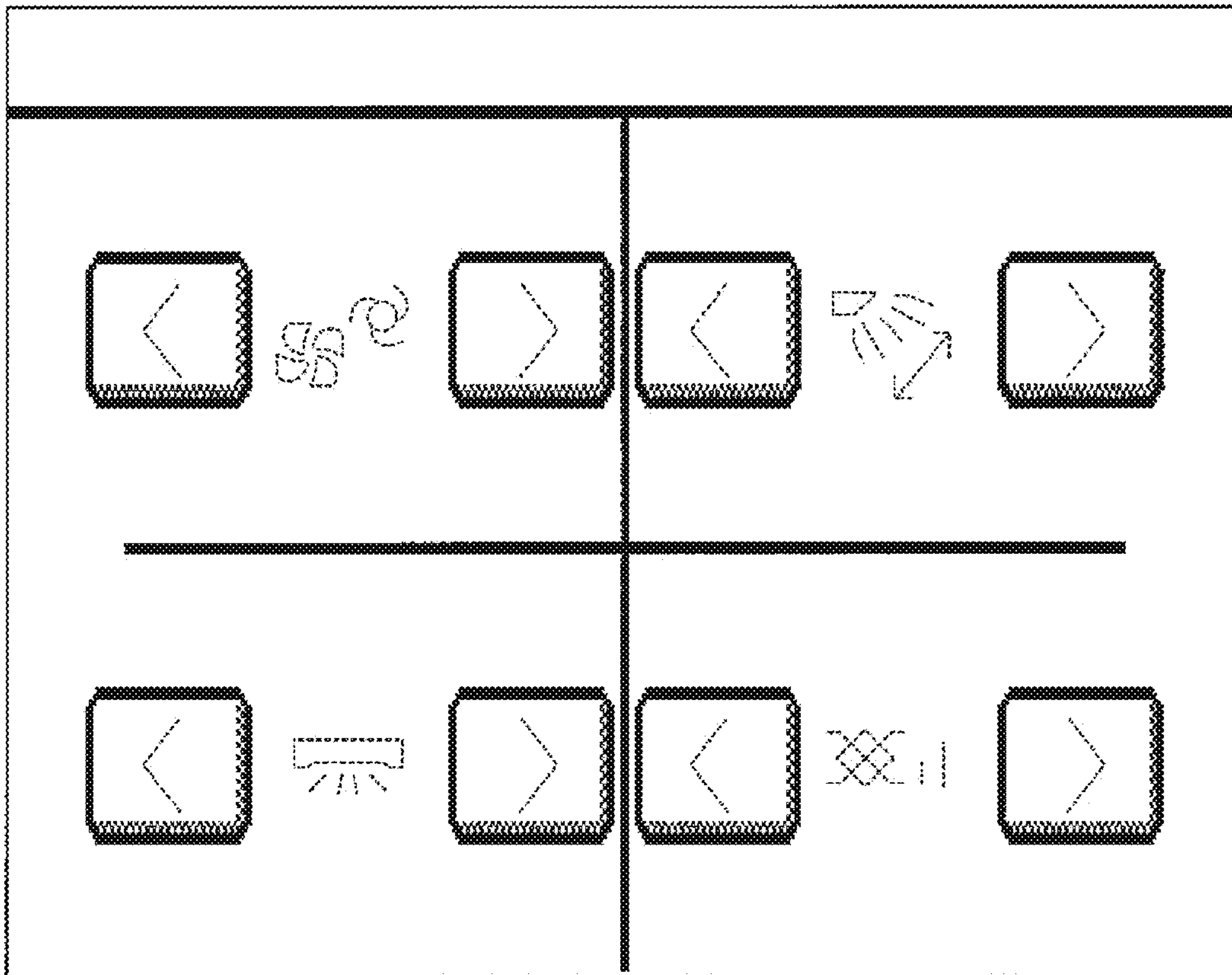


FIG. 9

