



US00D703217S

(12) **United States Design Patent**
Green

(10) **Patent No.:** **US D703,217 S**

(45) **Date of Patent:** **** Apr. 22, 2014**

(54) **TRANSPARENT COMPUTER STAND**

(71) Applicant: **Andrew Bradford Green**, Mt. Pleasant,
SC (US)

(72) Inventor: **Andrew Bradford Green**, Mt. Pleasant,
SC (US)

(**) Term: **14 Years**

(21) Appl. No.: **29/466,589**

(22) Filed: **Sep. 10, 2013**

(51) **LOC (10) Cl.** **08-07**

(52) **U.S. Cl.**
USPC **D14/447**

(58) **Field of Classification Search**
USPC D14/447, 451, 457, 432, 434, 439, 440,
D14/217, 238.1, 250, 251, 253; D6/406.1,
D6/406.2, 406.3, 406.4, 406.5, 406.6;
D12/415; D13/108, 110; D8/363;
D21/333; 248/917-924, 133, 136, 139,
248/150, 176.1, 188.6; 361/679.09, 679.21,
361/679.22, 679.24, 679.26, 679.27,
361/679.28, 679.3, 679.55, 679.56, 709;
D19/77

See application file for complete search history.

(56) **References Cited**

U.S. PATENT DOCUMENTS

D558,774 S * 1/2008 Najima D14/447
D622,274 S * 8/2010 Green D14/447

D637,187 S * 5/2011 Burns D14/253
D637,601 S * 5/2011 Symons D14/447
D652,044 S * 1/2012 Pajerski et al. D14/447
D652,830 S * 1/2012 Nazar D14/253
D664,602 S * 7/2012 Chiu et al. D21/333
D669,482 S * 10/2012 Hu et al. D14/447
D673,032 S * 12/2012 Tak et al. D8/395
D674,395 S * 1/2013 Haarburger D14/447
D674,398 S * 1/2013 Whittington D14/447
D685,323 S * 7/2013 Szymanski et al. D13/108
D686,629 S * 7/2013 Trinh et al. D14/447

* cited by examiner

Primary Examiner — Angela J Lee

(74) *Attorney, Agent, or Firm* — W. Edward Ramage; Baker
Donelson

(57) **CLAIM**

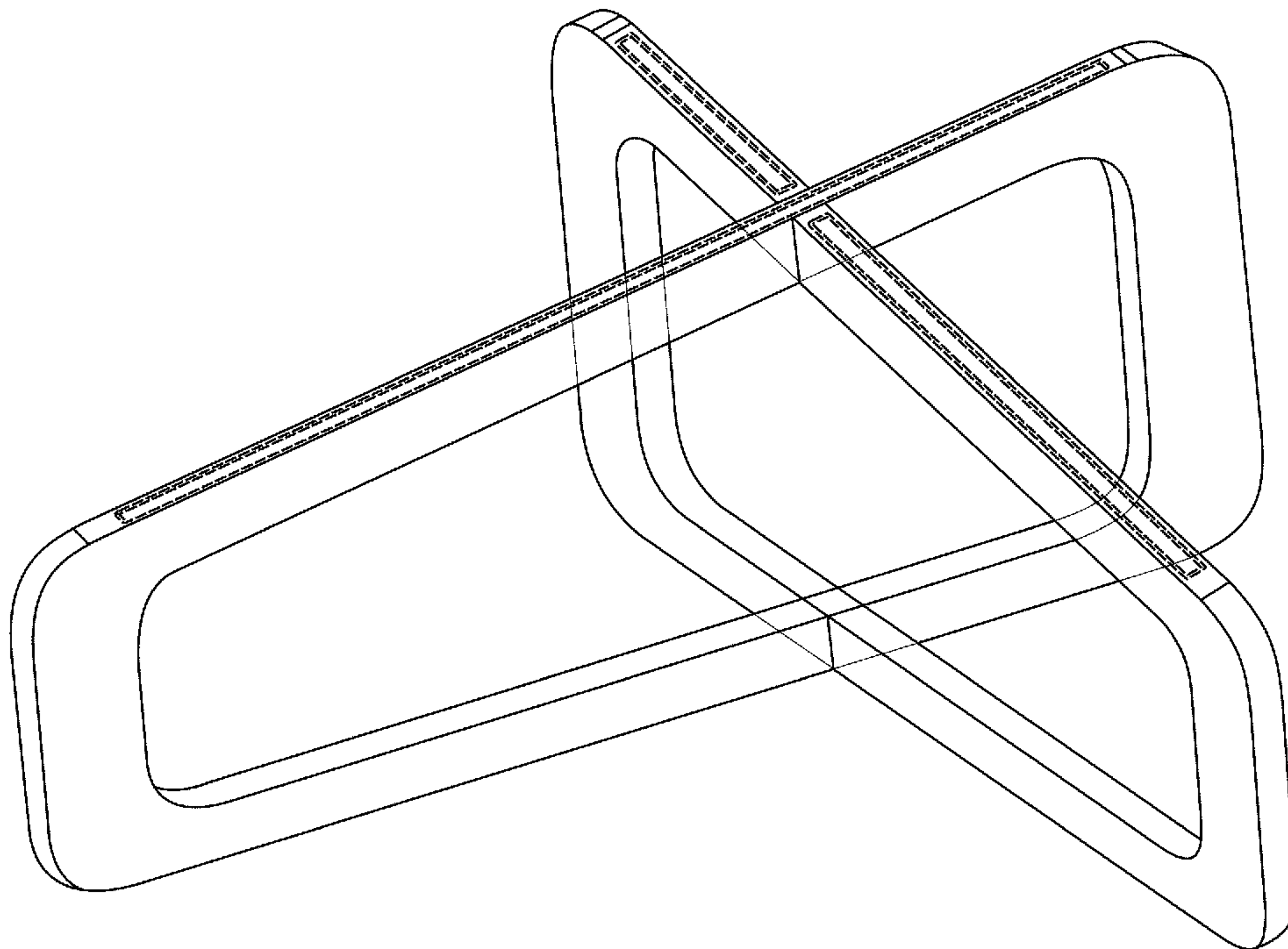
The ornamental design for a transparent computer stand, as
shown and described.

DESCRIPTION

FIG. 1 is a front perspective view of the new design;
FIG. 2 is a rear view thereof;
FIG. 3 is a front view thereof;
FIG. 4 is a right side view thereof (the left side view is a mirror
image); and,
FIG. 5 is a top view thereof (the bottom view is a mirror
image).

The broken lines shown in the drawings represent portions of
the transparent computer stand that form no part of the
claimed design.

1 Claim, 5 Drawing Sheets



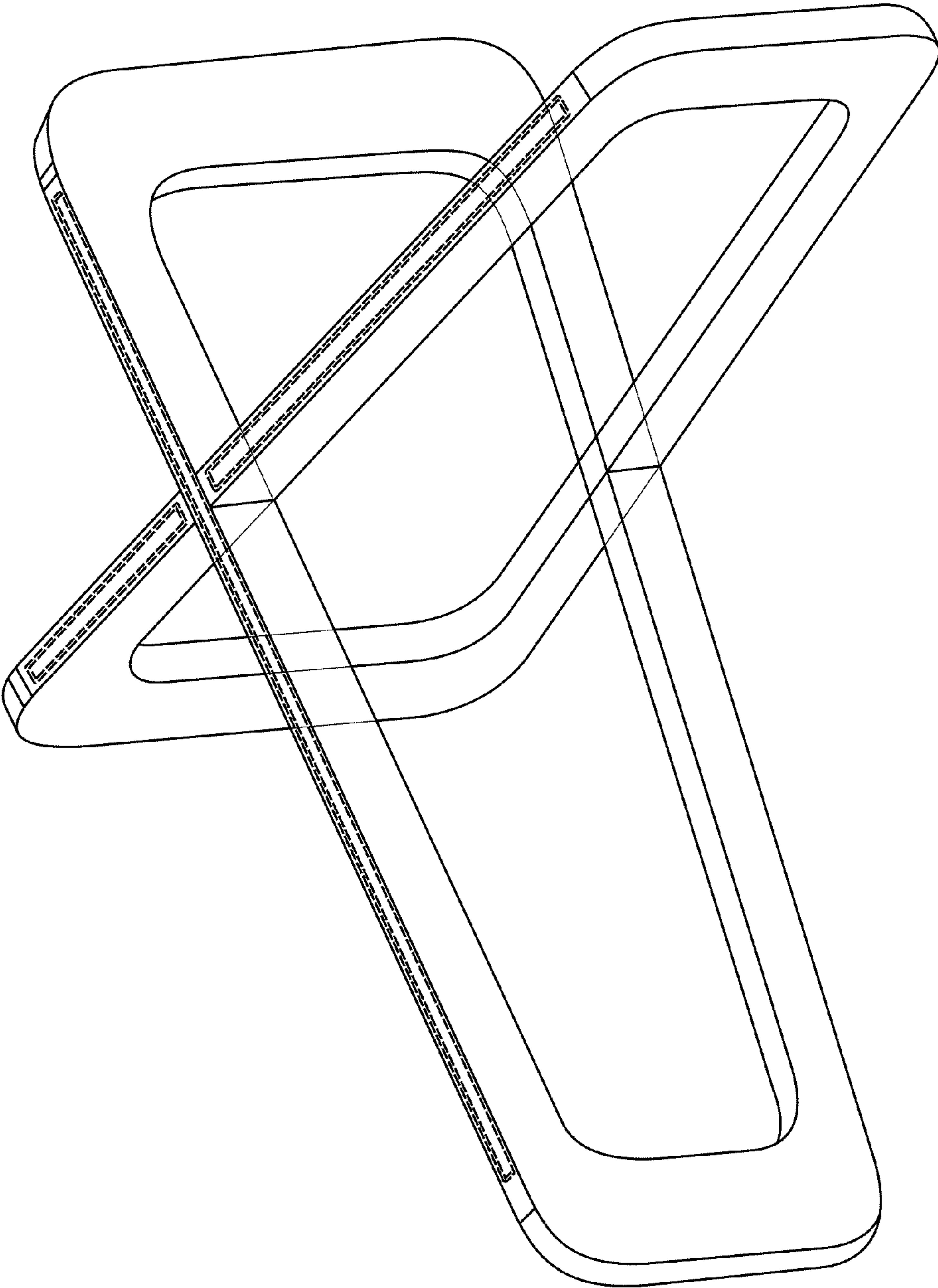


FIG. 1

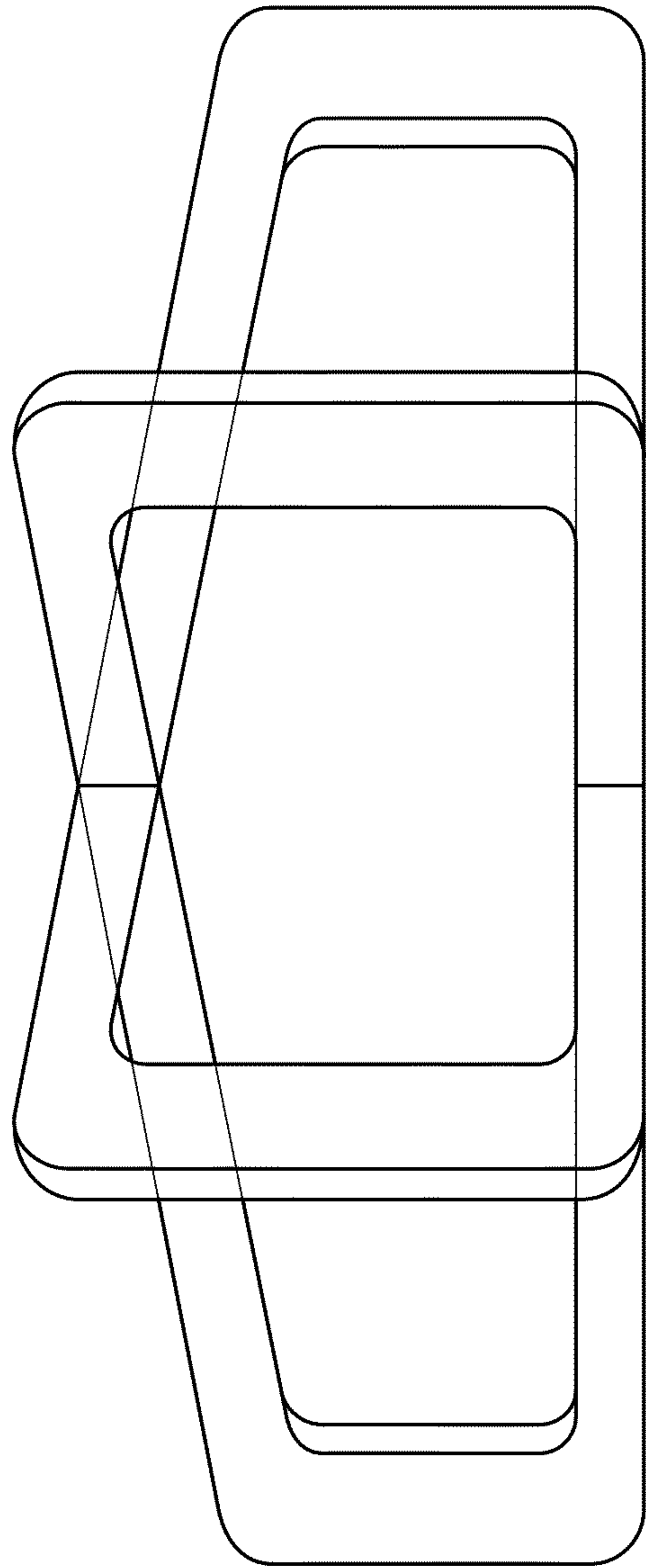


FIG. 2

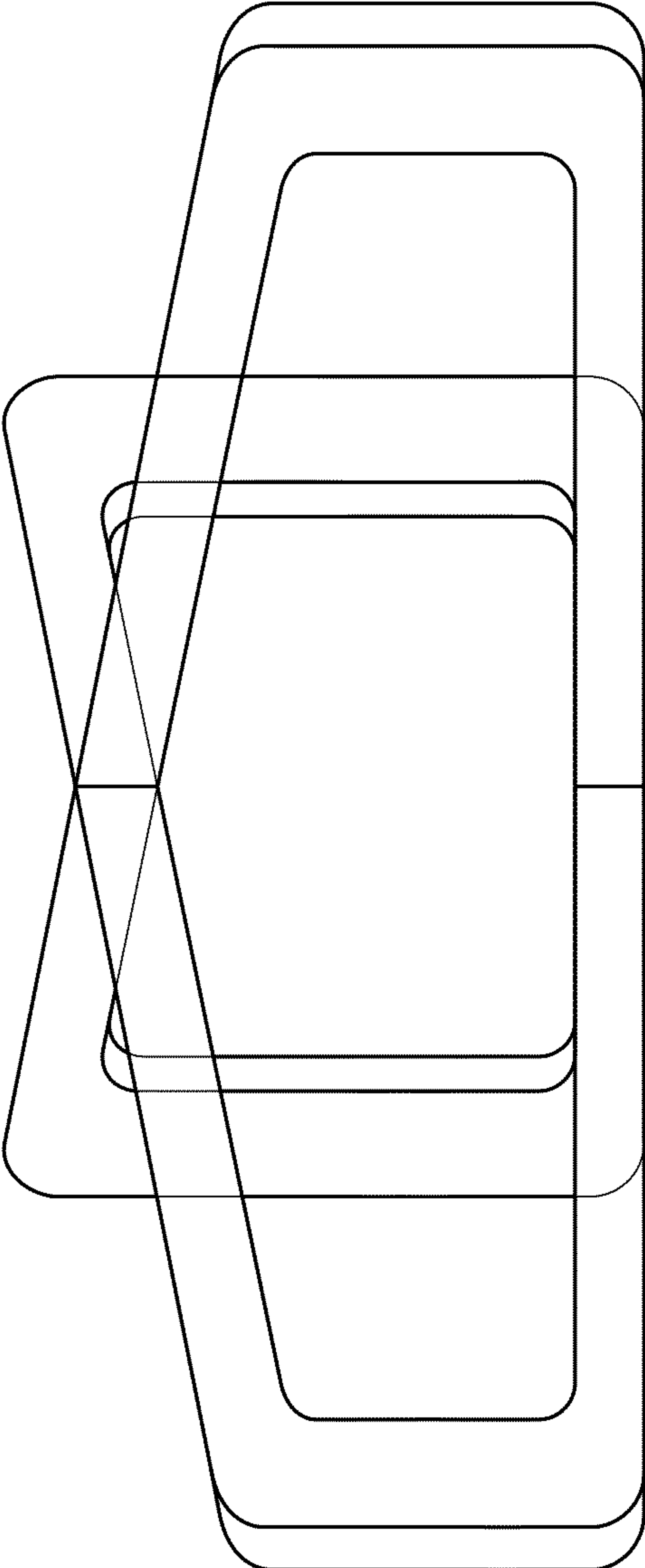


FIG. 3

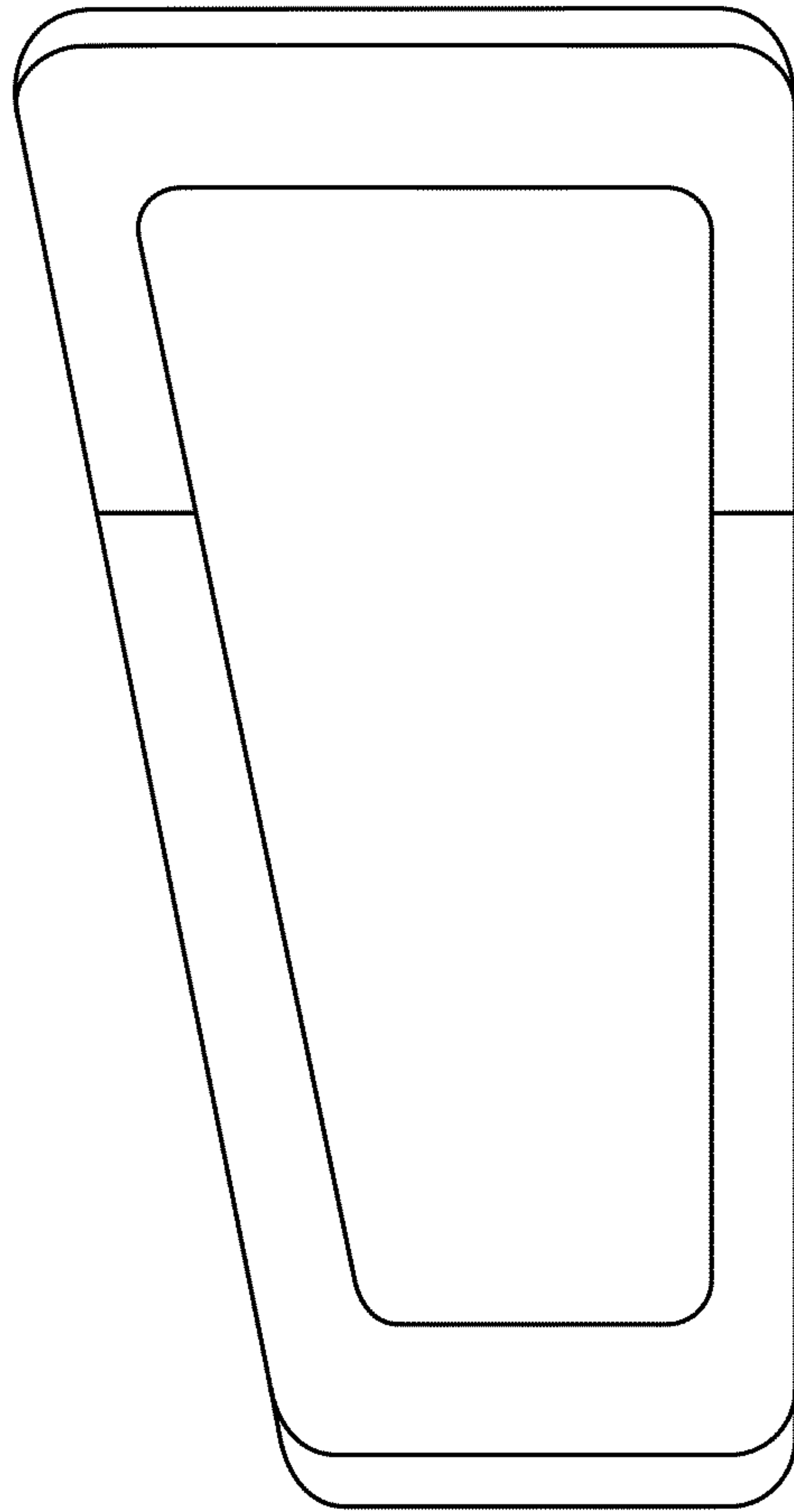


FIG. 4

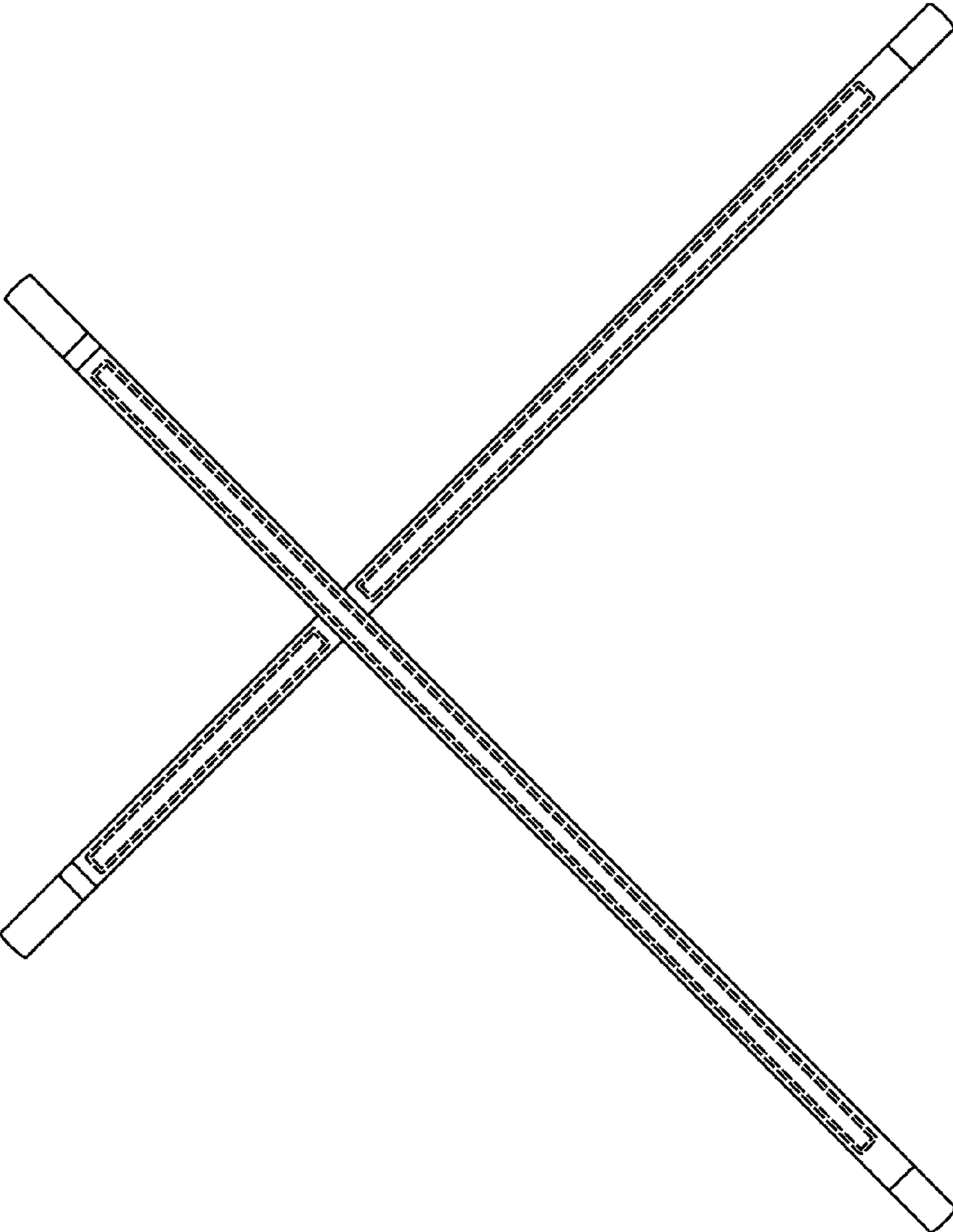


FIG. 5