



US00D703216S

(12) **United States Design Patent**
Klepar

(10) **Patent No.:** **US D703,216 S**

(45) **Date of Patent:** **** Apr. 22, 2014**

(54) **DUAL-POSITIONING TABLET PILLOW STAND**

(71) Applicant: **Zvi Klepar**, New York, NY (US)

(72) Inventor: **Zvi Klepar**, New York, NY (US)

(**) Term: **14 Years**

(21) Appl. No.: **29/462,428**

(22) Filed: **Aug. 2, 2013**

(51) **LOC (10) Cl.** **08-07**

(52) **U.S. Cl.**
USPC **D14/447**

(58) **Field of Classification Search**
USPC D14/447, 451, 457, 432, 434, 439, 440,
D14/217, 238.1, 250, 251, 253; D6/406.1,
D6/406.2, 406.3, 406.4, 406.5, 406.6;
D12/415; D13/108, 110; D8/363;
D21/333; 248/917-924, 133, 136, 139,
248/150, 176.1, 188.6; 361/679.09, 679.21,
361/679.22, 679.24, 679.26, 679.27,
361/679.28, 679.3, 679.55, 679.56, 709
See application file for complete search history.

(56) **References Cited**

U.S. PATENT DOCUMENTS

D362,565	S	*	9/1995	Tubbs et al.	D6/419
D365,461	S	*	12/1995	Falter	D6/406.4
5,678,800	A	*	10/1997	Markussen	248/346.01
D621,406	S	*	8/2010	Hoehn et al.	D14/447
D666,995	S	*	9/2012	TerMeer	D14/217
D676,452	S	*	2/2013	So	D14/447
D677,669	S	*	3/2013	Liu	D14/447

D687,833	S	*	8/2013	Gittins	D14/447
D687,834	S	*	8/2013	Gittins	D14/447
D687,835	S	*	8/2013	Gittins	D14/447

* cited by examiner

Primary Examiner — Angela J Lee

(74) *Attorney, Agent, or Firm* — Joseph Stecewycz

(57) **CLAIM**

The ornamental design for a dual-positioning tablet pillow stand, as shown and described.

DESCRIPTION

FIG. 1 is a perspective view of a dual-positioning tablet pillow stand supporting an image display device in a first viewing position, in accordance with the claimed design;

FIG. 2 is a perspective view of the dual-positioning tablet pillow stand of FIG. 1 without the image display device;

FIG. 3 is a head-on view of a support surface used to support the image display device in FIG. 1;

FIG. 4 is a perspective view of the dual-positioning tablet pillow stand of FIG. 1 supporting an image display device in a second viewing position, in accordance with the claimed design;

FIG. 5 is a perspective view of the dual-positioning tablet pillow stand of FIG. 4 without the image display device;

FIG. 6 is a head-on view of a support surface used to support the image display device in FIG. 4;

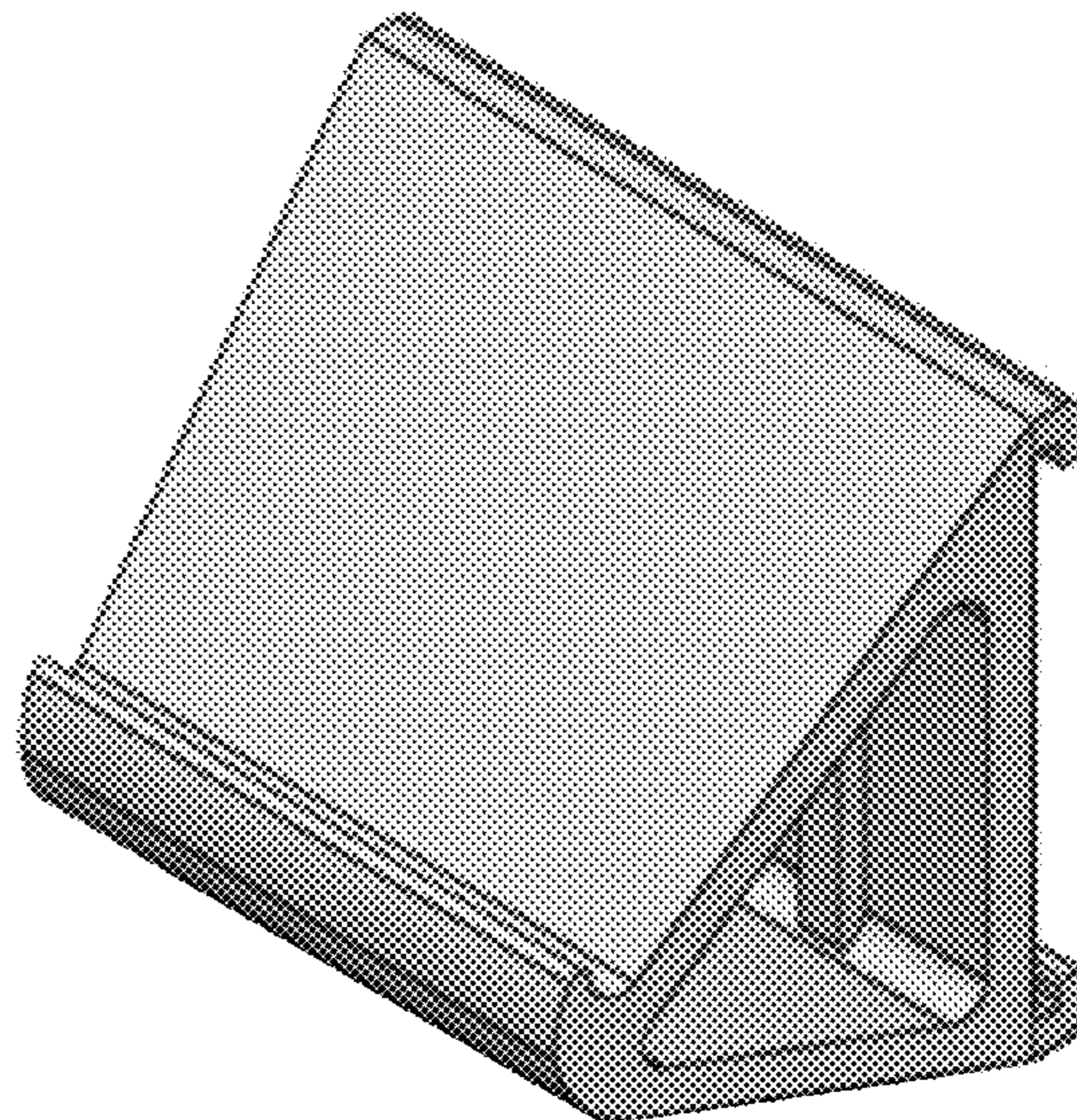
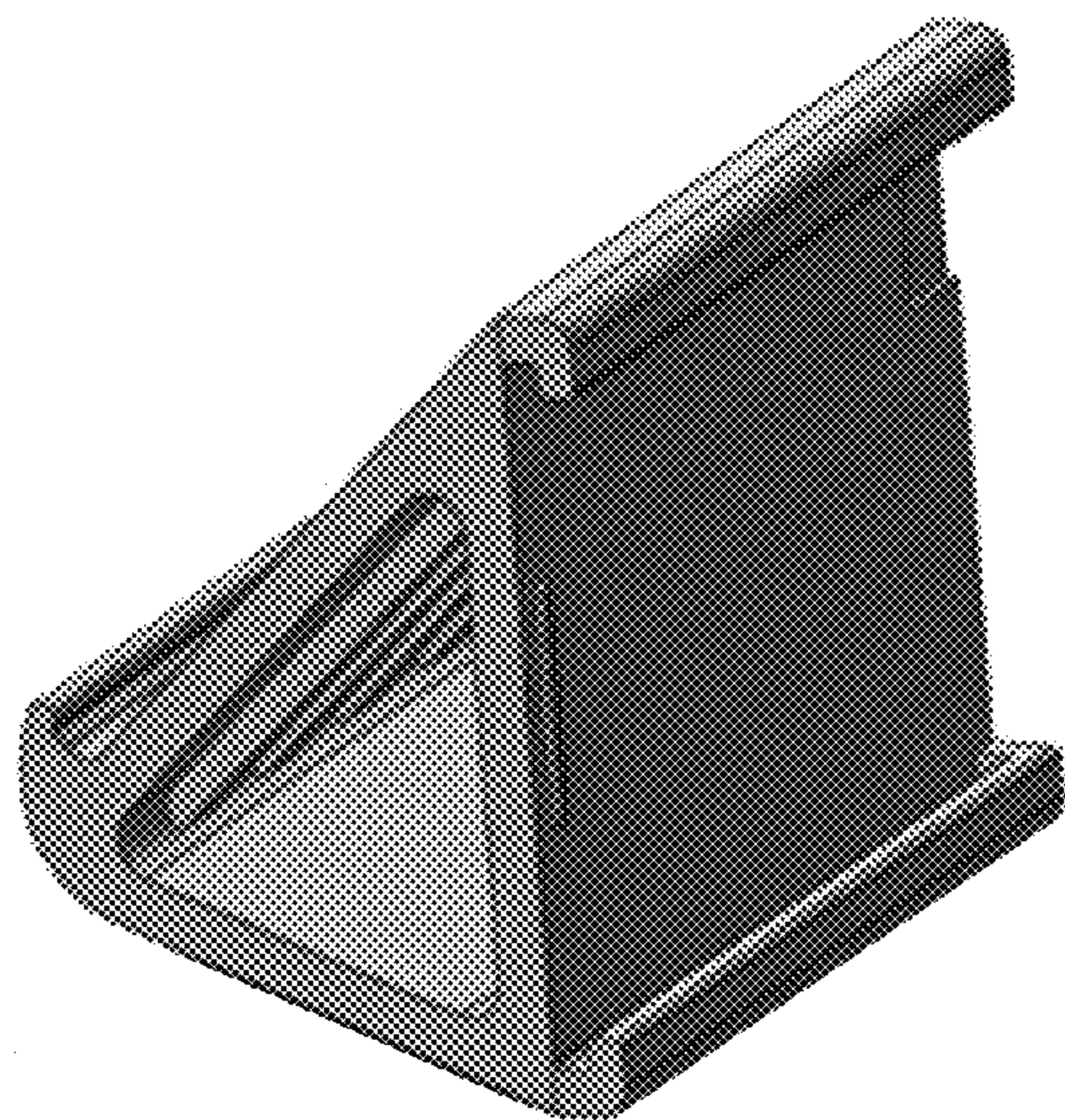
FIG. 7 is a side view of the dual-positioning tablet pillow stand of FIG. 1;

FIG. 8 is a second side view in perspective of the dual-positioning tablet pillow stand of FIG. 1; and,

FIG. 9 is a top view of the dual-positioning tablet pillow stand of FIG. 1.

The broken section lines in FIGS. 1 and 4 represent an image display device, or a computer tablet, which is not part of the claimed design.

1 Claim, 4 Drawing Sheets



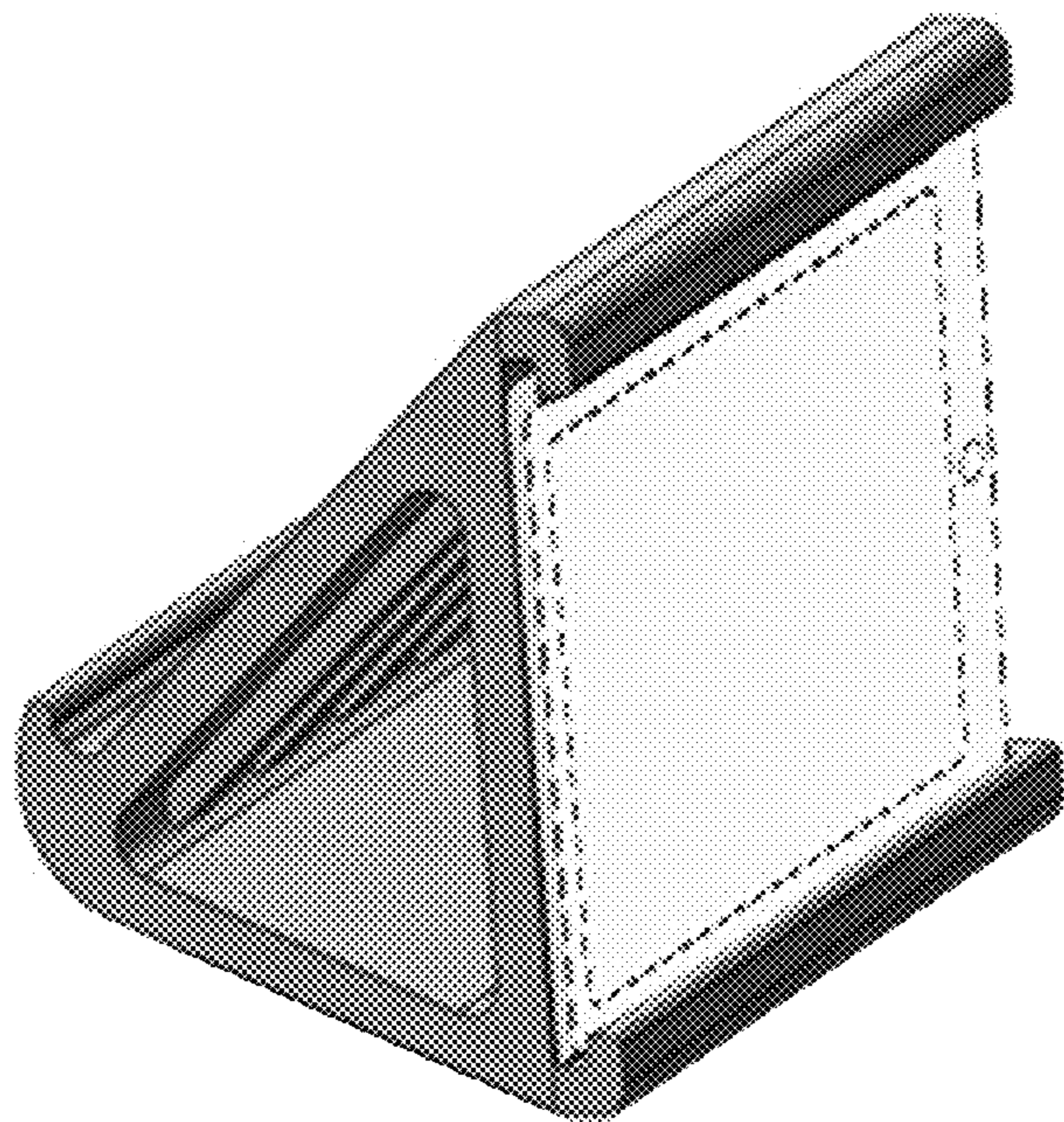


Fig. 1

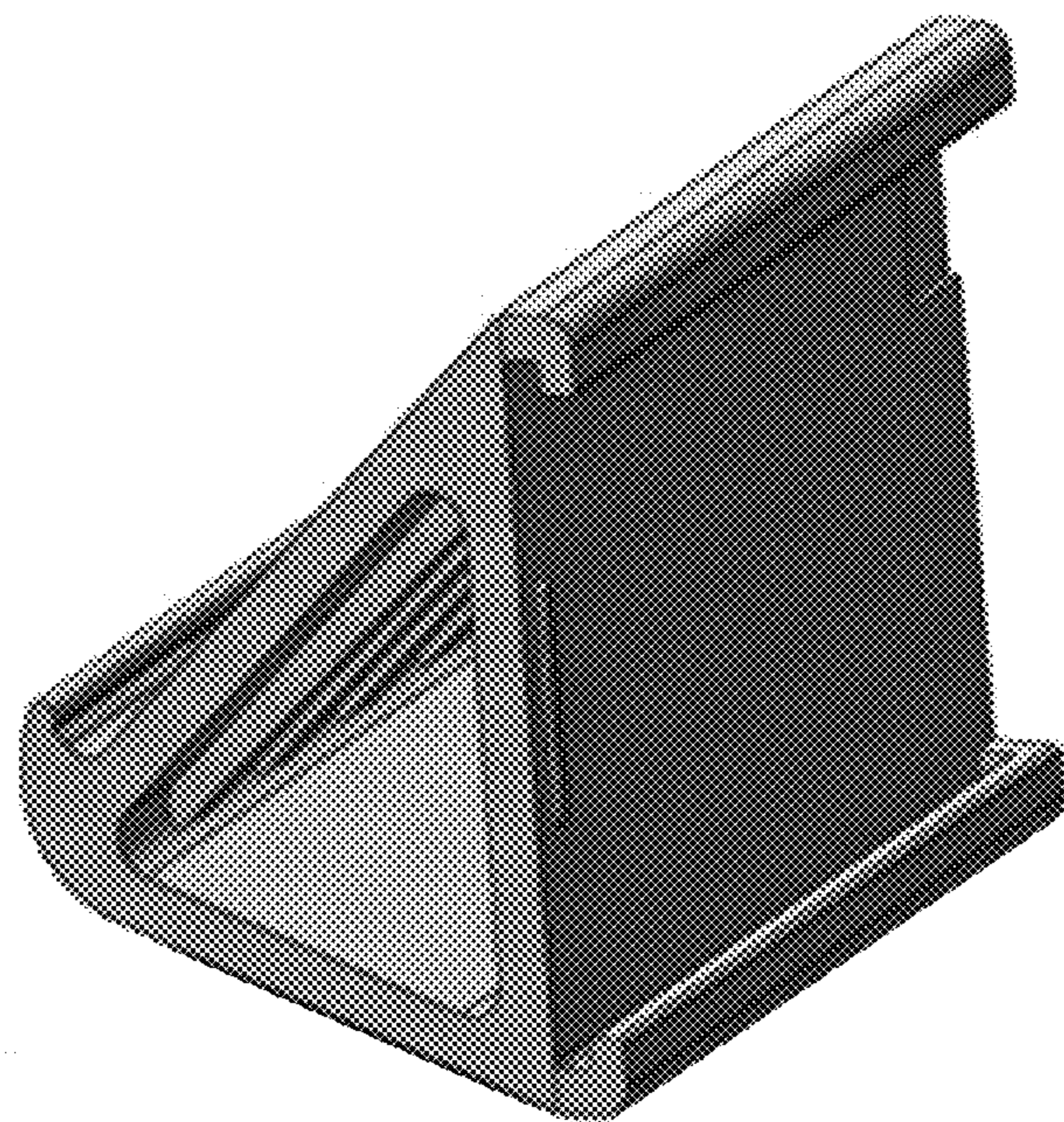


Fig. 2

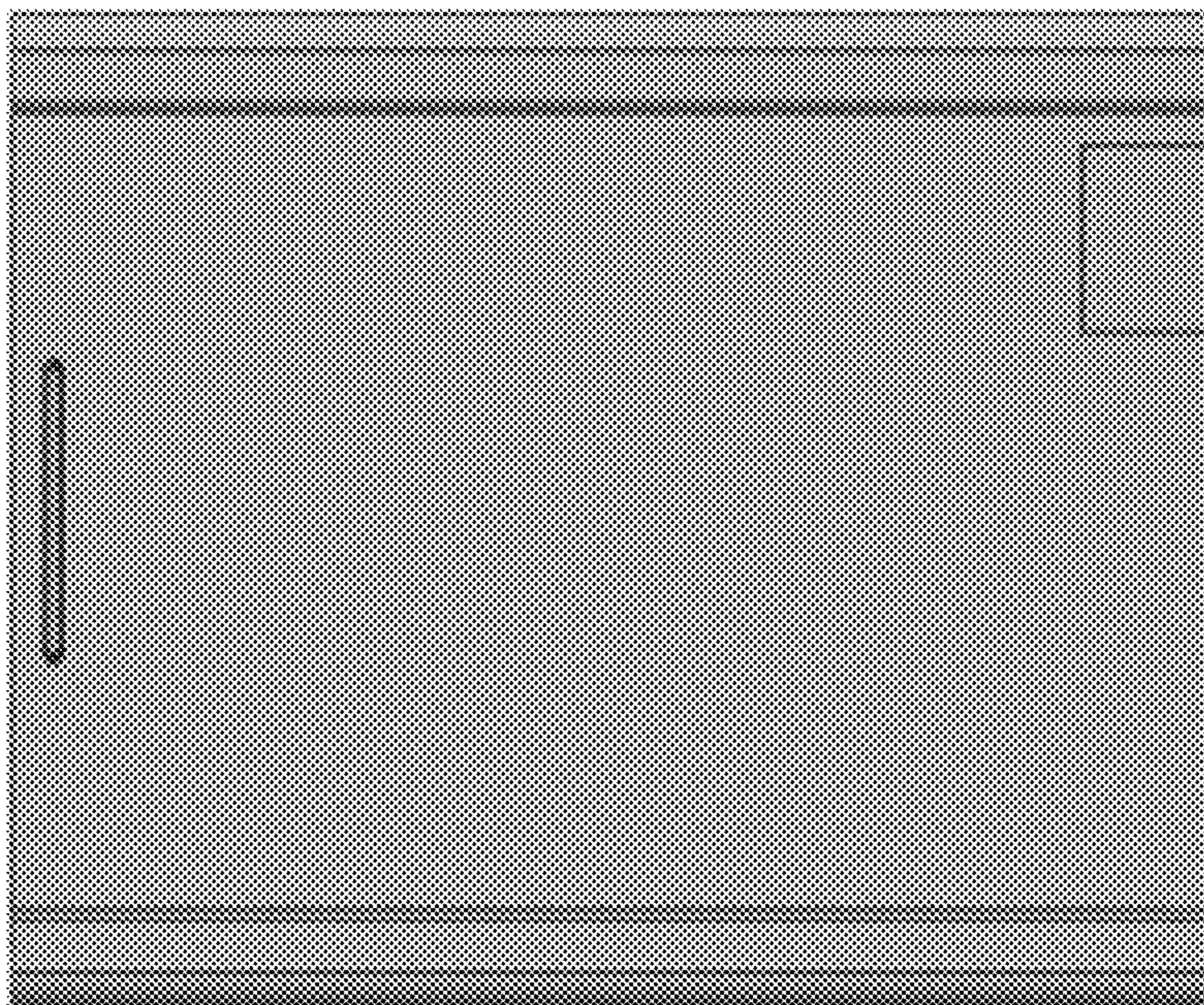


Fig. 3

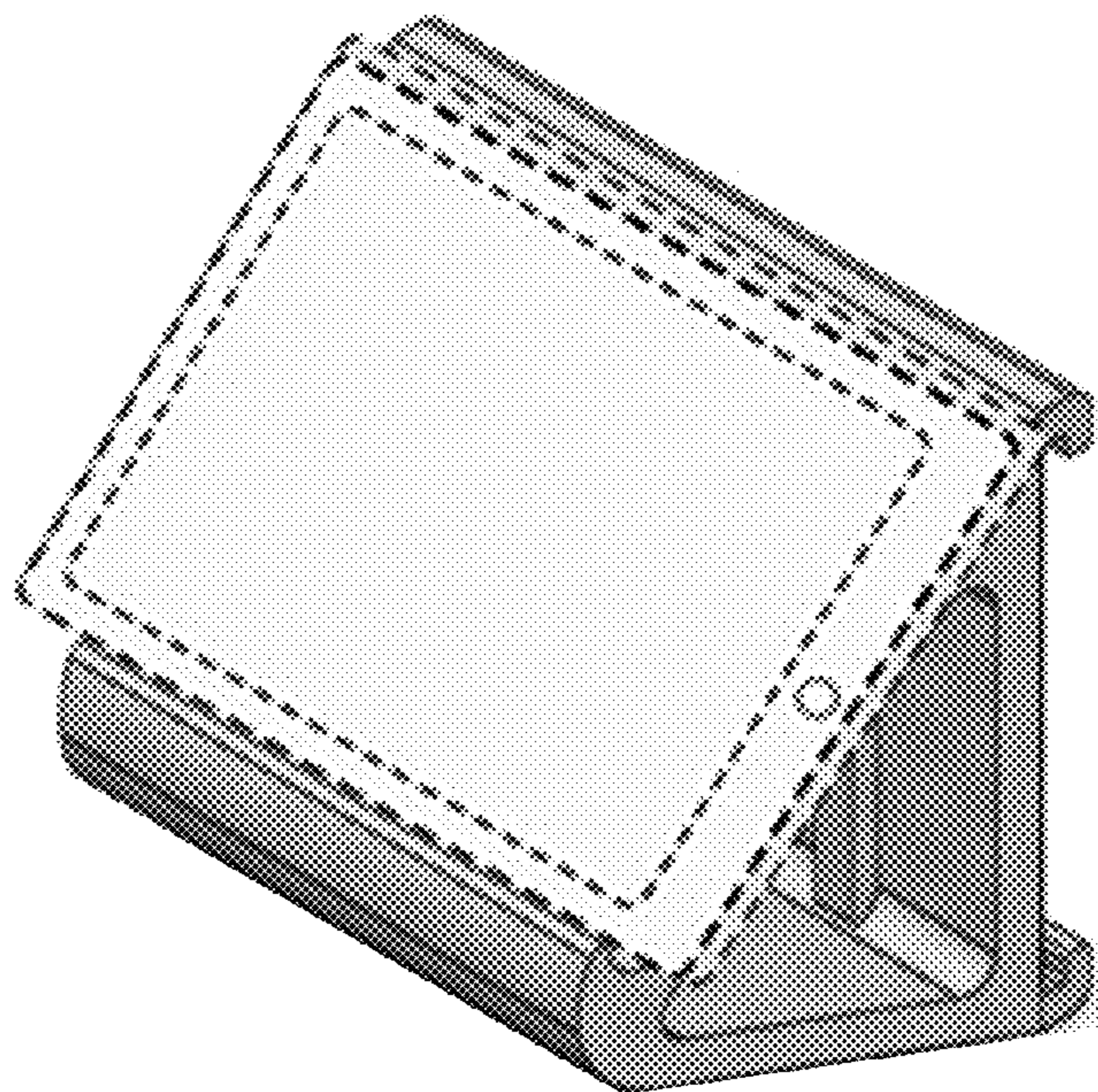


Fig. 4

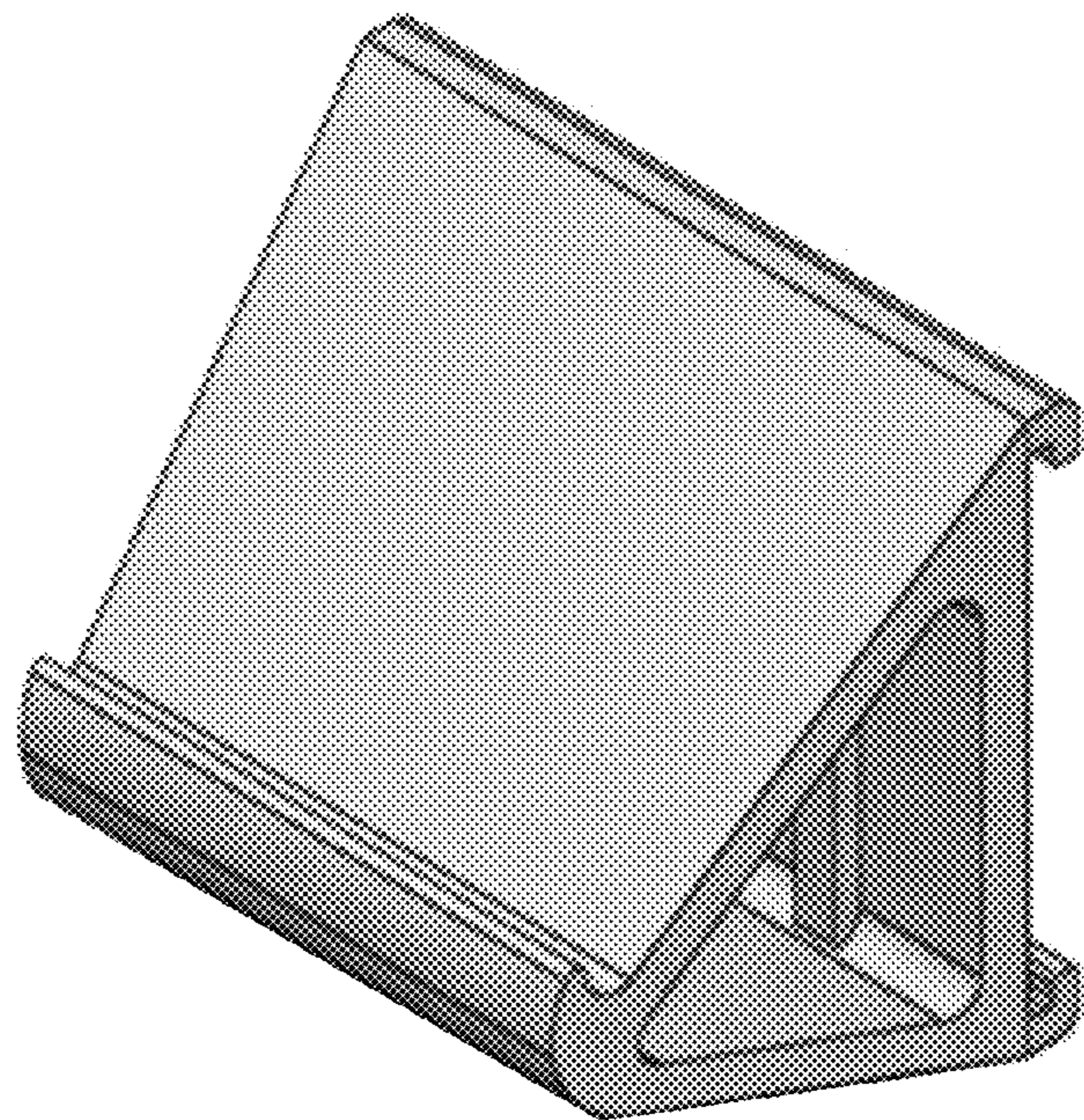


Fig. 5

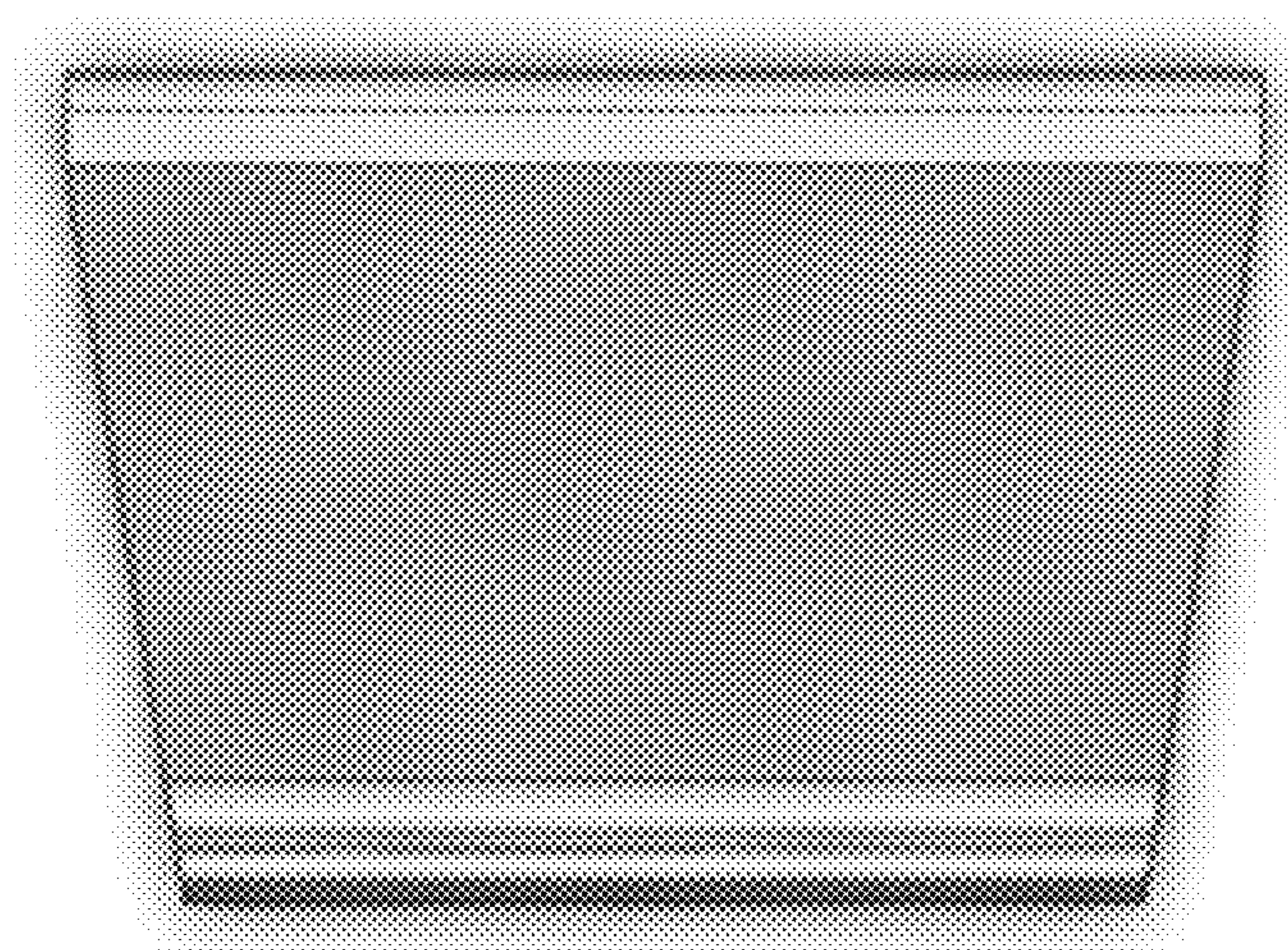


Fig. 6

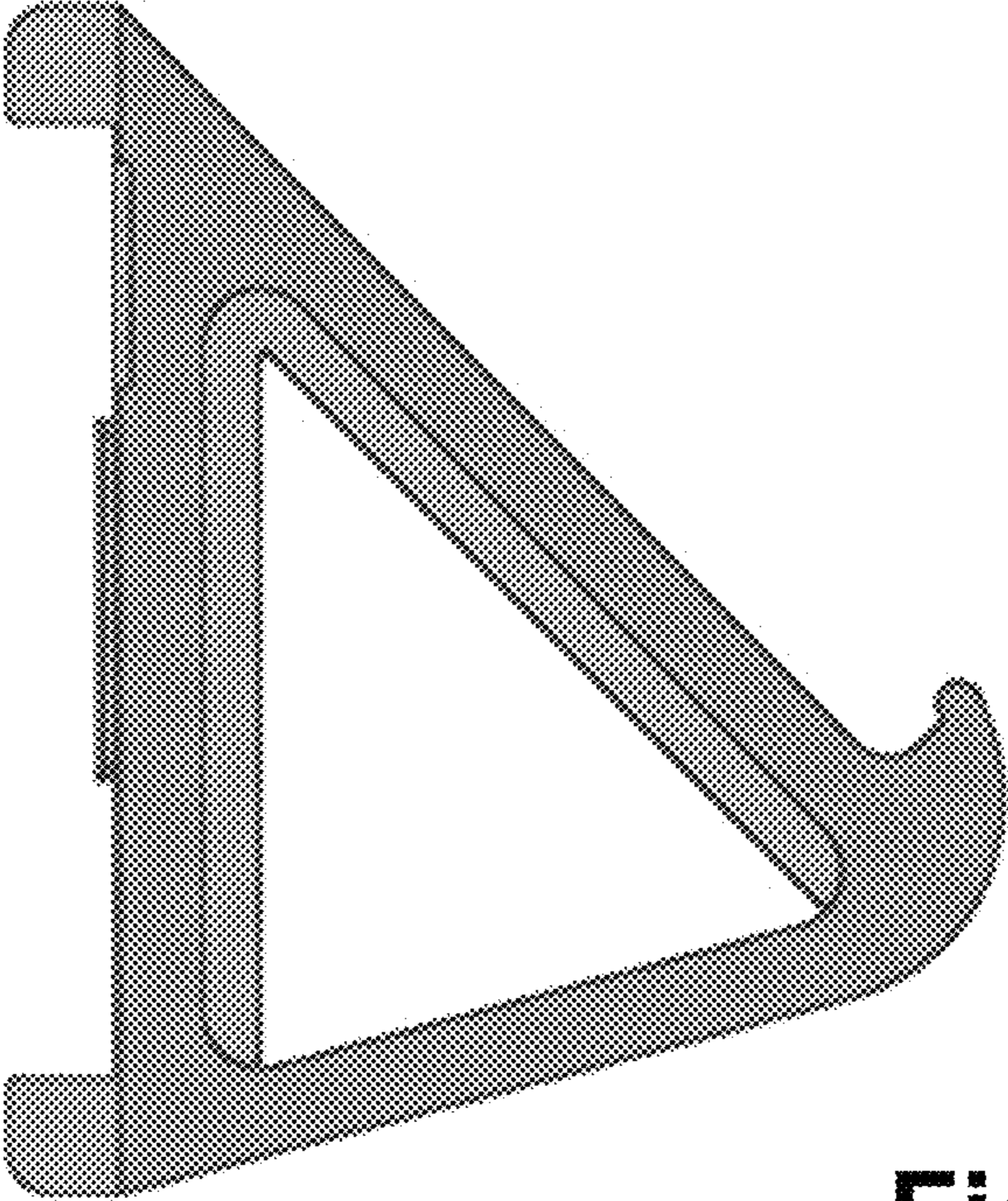


Fig. 7

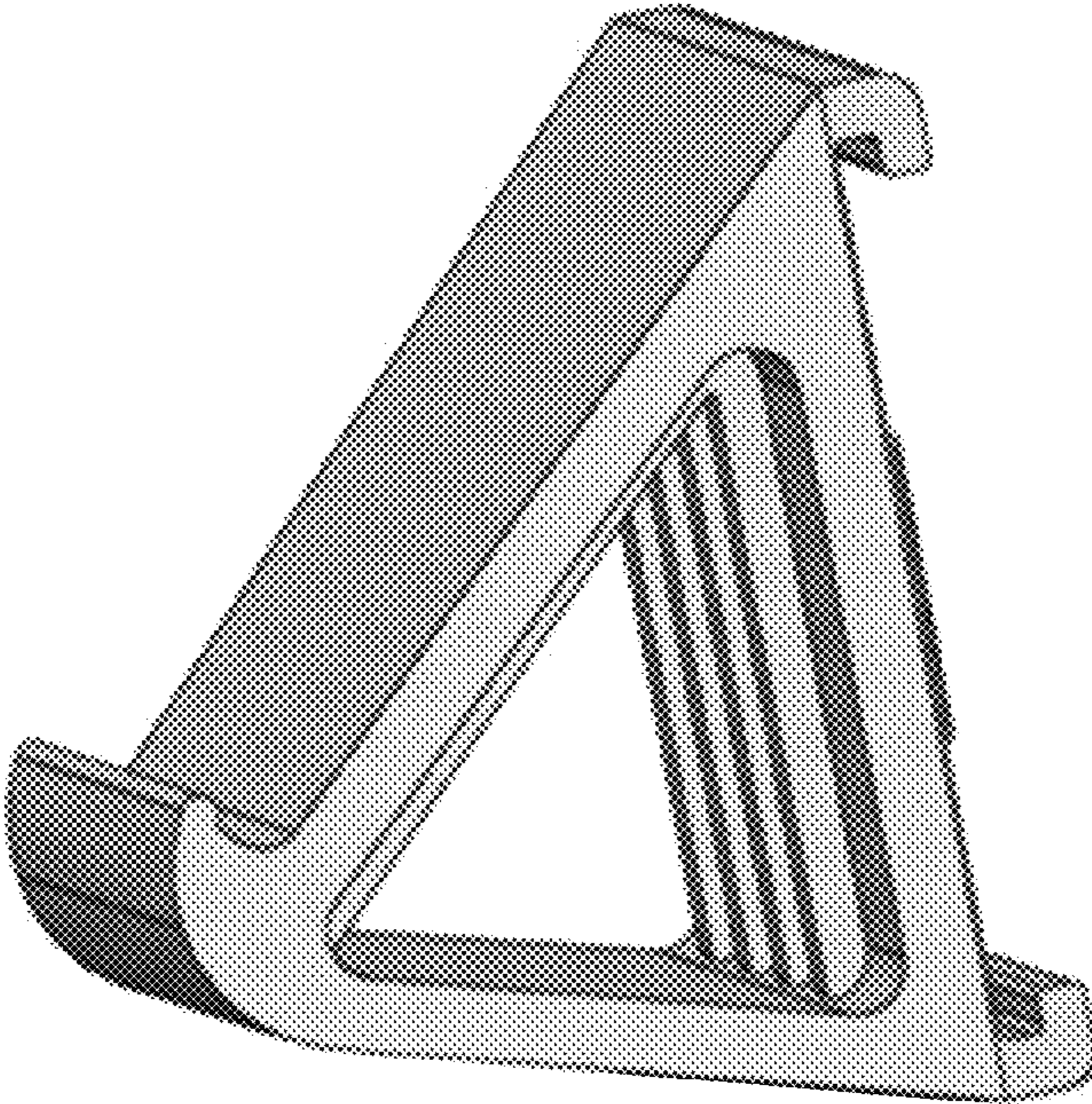


Fig. 8