



US00D703215S

(12) **United States Design Patent**
Alesi et al.

(10) **Patent No.:** **US D703,215 S**
(45) **Date of Patent:** **** Apr. 22, 2014**

(54) **ELECTRONIC DEVICE HOLDER**
(71) Applicant: **Custom Accessories Inc.**, Richmond, IL (US)
(72) Inventors: **Vincent Anthony Alesi**, Richmond, IL (US); **Anthony Salvatore Ferenzi**, Richmond, IL (US)
(73) Assignee: **Custom Accessories Inc.**, Richmond, IL (US)

(**) Term: **14 Years**

(21) Appl. No.: **29/453,030**

(22) Filed: **Apr. 24, 2013**

(51) **LOC (10) Cl.** **08-07**

(52) **U.S. Cl.**
USPC **D14/447**

(58) **Field of Classification Search**
USPC D14/447, 451, 457, 432, 434, 439, 440, D14/217, 238.1, 250, 251, 253; D6/406.1, D6/406.2, 406.3, 406.4, 406.5, 406.6; D12/415; D13/108, 110; D8/363; D21/333; 248/917-924, 133, 136, 139, 248/150, 176.1, 188.6; 361/679.09, 679.21, 361/679.22, 679.24, 679.26, 679.27, 361/679.28, 679.3, 679.55, 679.56, 709
See application file for complete search history.

(56) **References Cited**

U.S. PATENT DOCUMENTS

D510,358 S * 10/2005 Ezure D14/447
D574,375 S * 8/2008 Prest et al. D14/253

D628,203 S * 11/2010 Noble D14/447
D640,249 S * 6/2011 Choi D14/253
D647,525 S * 10/2011 Seto D14/434
D652,422 S * 1/2012 Cheng D14/447
D654,921 S * 2/2012 Malsan D14/447
D659,696 S * 5/2012 Lanza D14/447
D661,309 S * 6/2012 Murrer et al. D14/447
D667,403 S * 9/2012 Maus D14/385
D668,662 S * 10/2012 Suiter D14/447
D686,213 S * 7/2013 Haymond D14/432
D693,818 S * 11/2013 Webber D14/439

* cited by examiner

Primary Examiner — Angela J Lee

(74) *Attorney, Agent, or Firm* — Leydig, Voit & Mayer, Ltd.

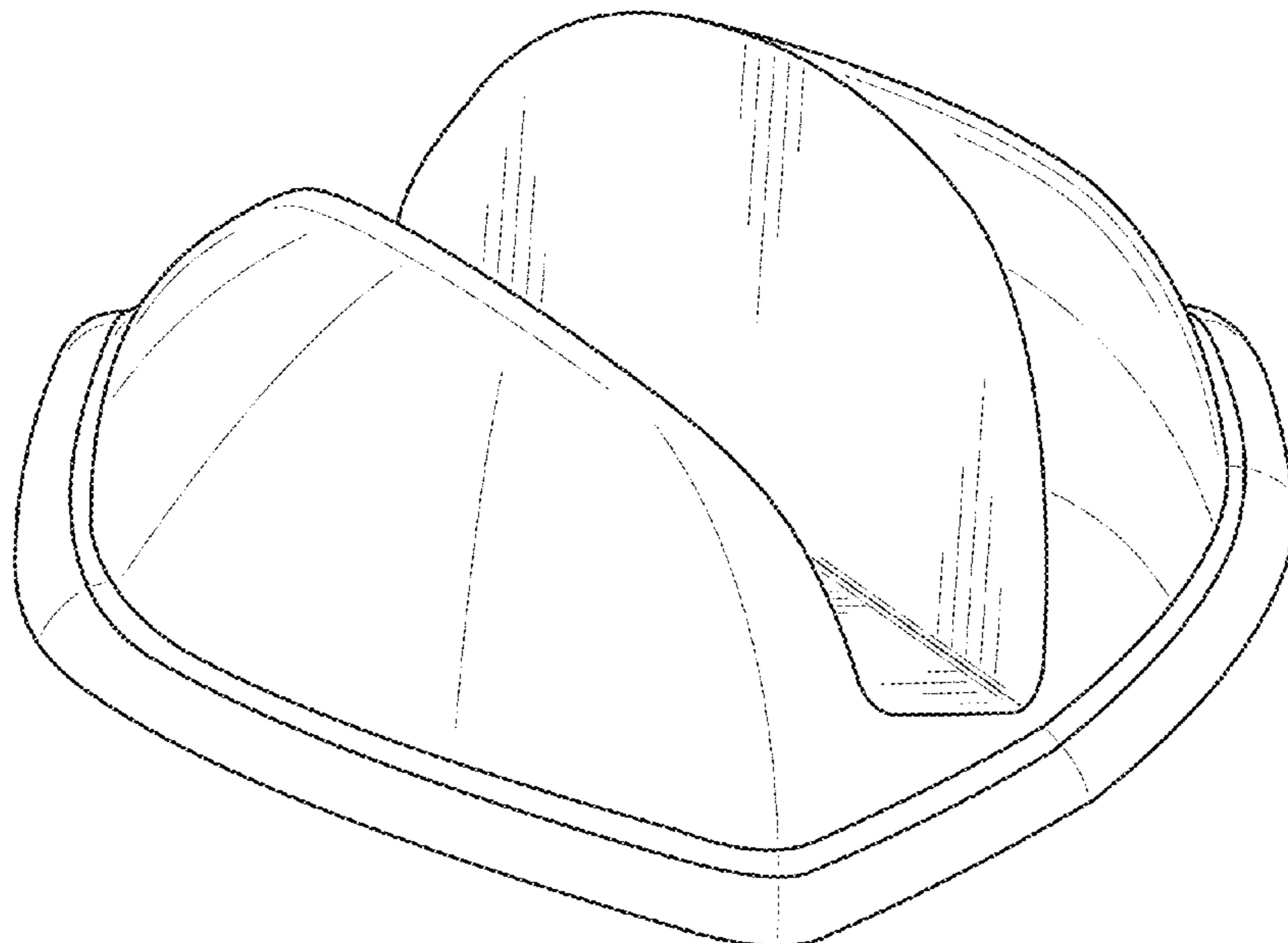
(57) **CLAIM**

The ornamental design for an electronic device holder, as shown and described.

DESCRIPTION

FIG. 1 is a perspective view taken from the top, front, and right side of an electronic device holder showing our new design;
FIG. 2 is a top view of the electronic device holder of FIG. 1;
FIG. 3 is a bottom view of the electronic device holder of FIG. 1;
FIG. 4 is a front elevational view of the electronic device holder of FIG. 1;
FIG. 5 is a rear elevational view of the electronic device holder of FIG. 1;
FIG. 6 is a left side view of the electronic device holder of FIG. 1; and,
FIG. 7 is a right side view of the electronic device holder of FIG. 1.

1 Claim, 5 Drawing Sheets



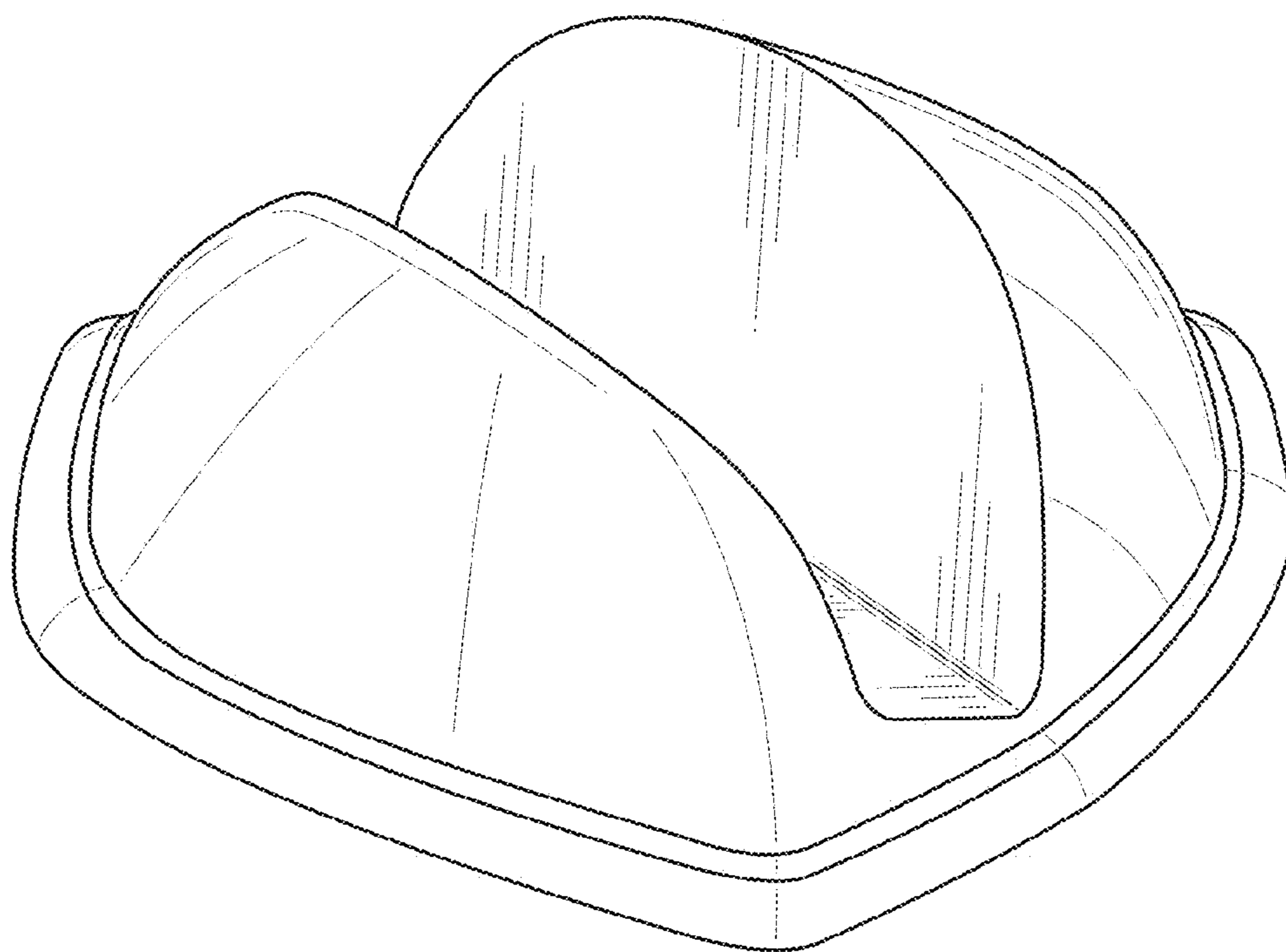


FIG. 1

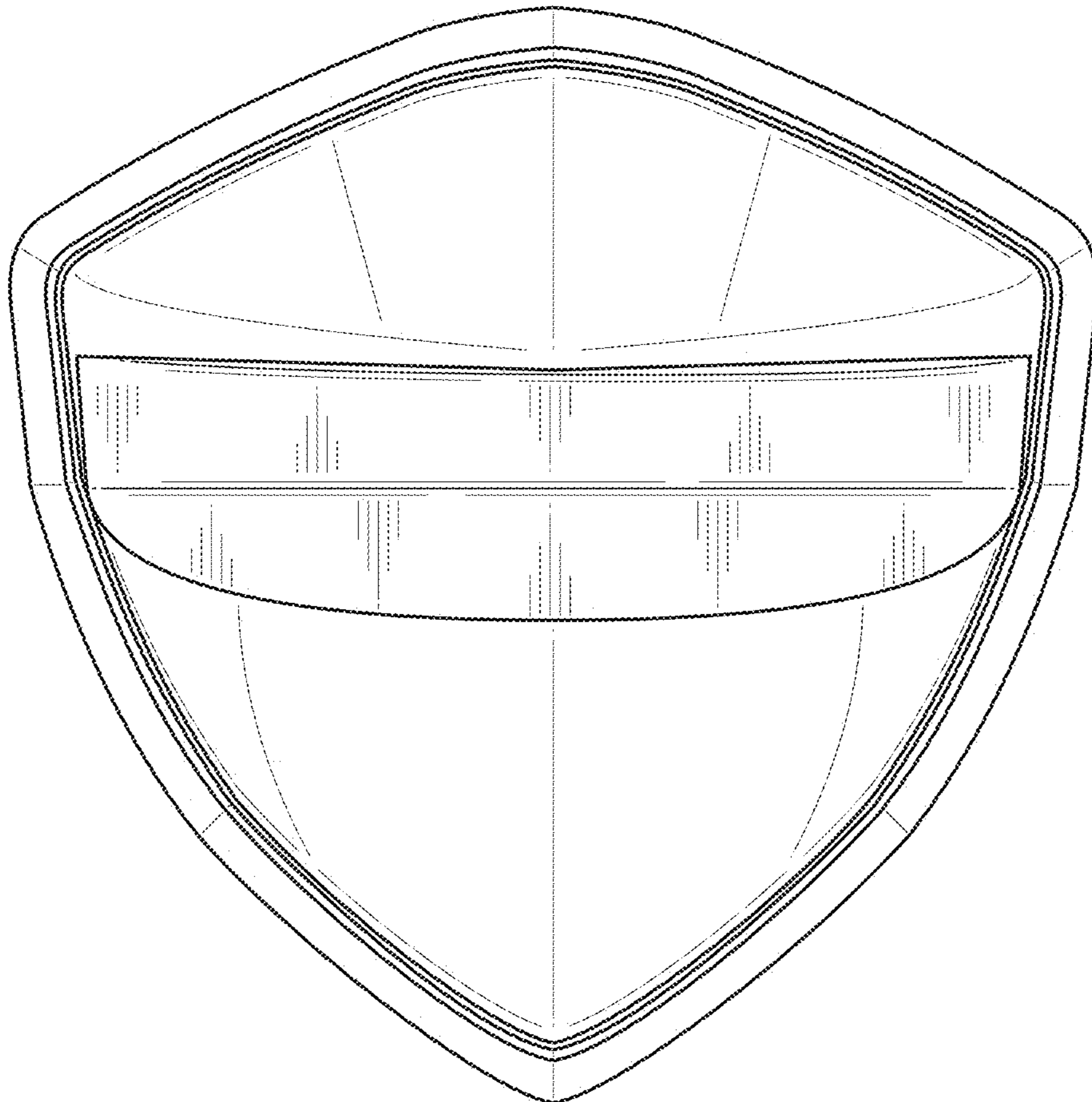


FIG. 2

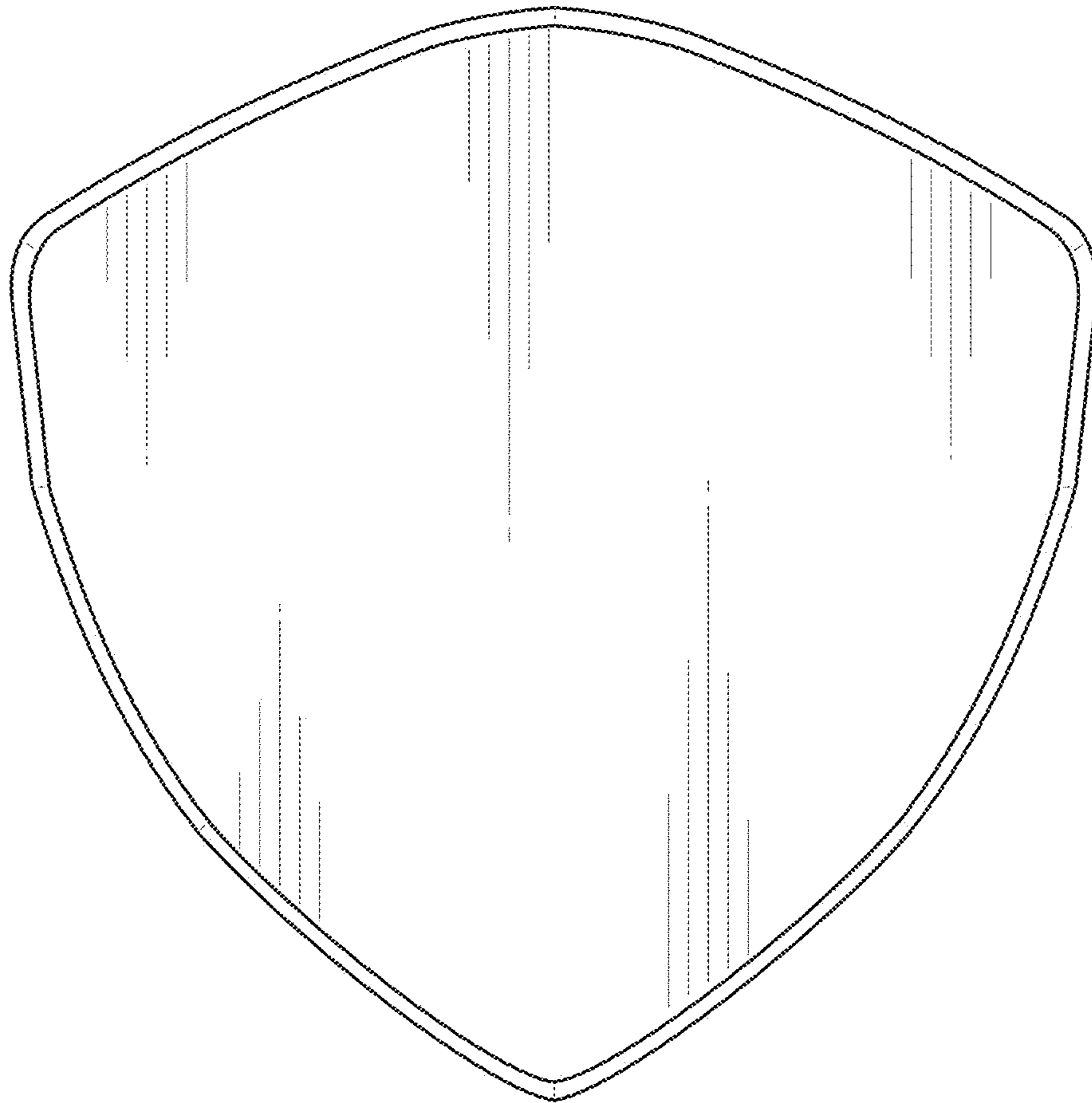


FIG. 3

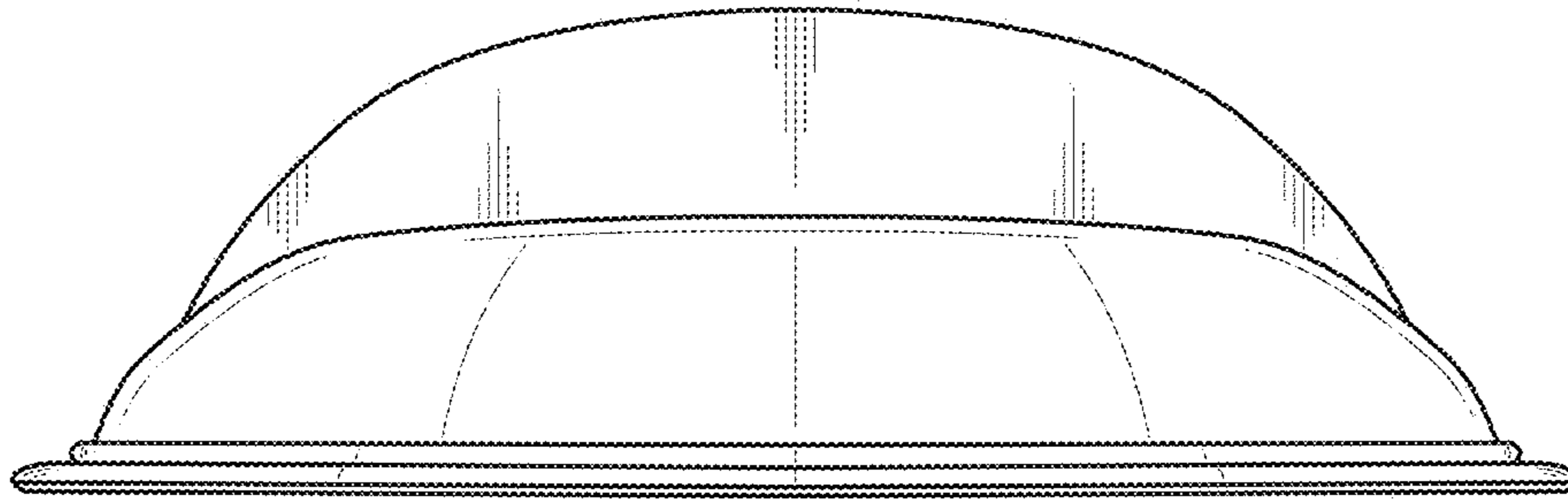


FIG. 4

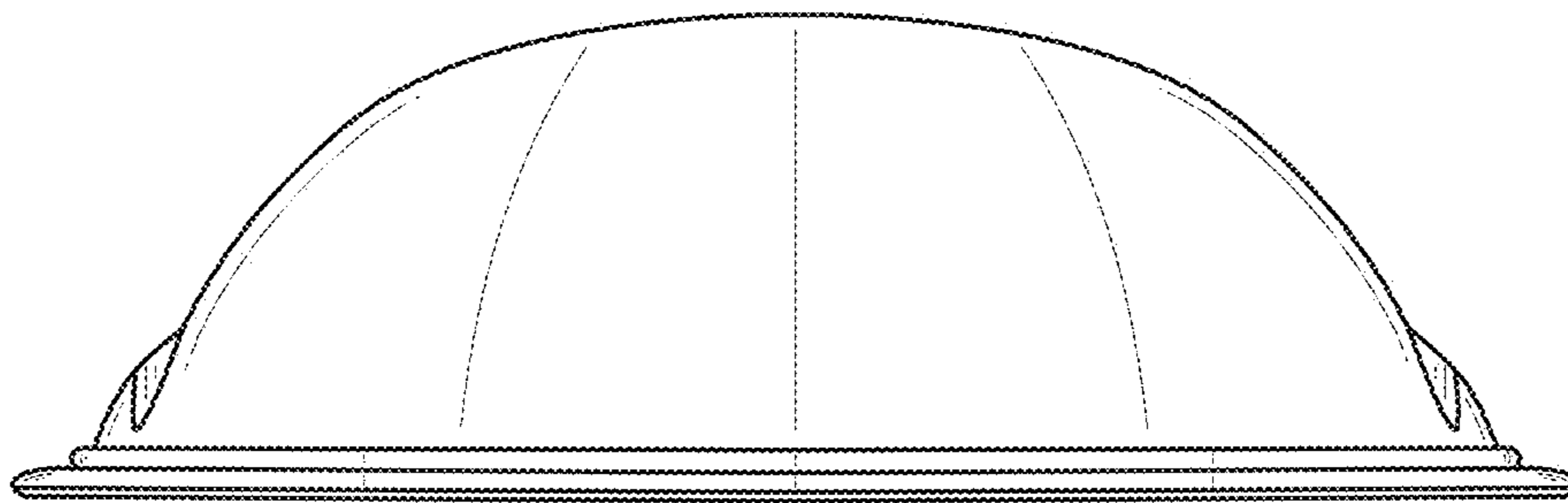


FIG. 5

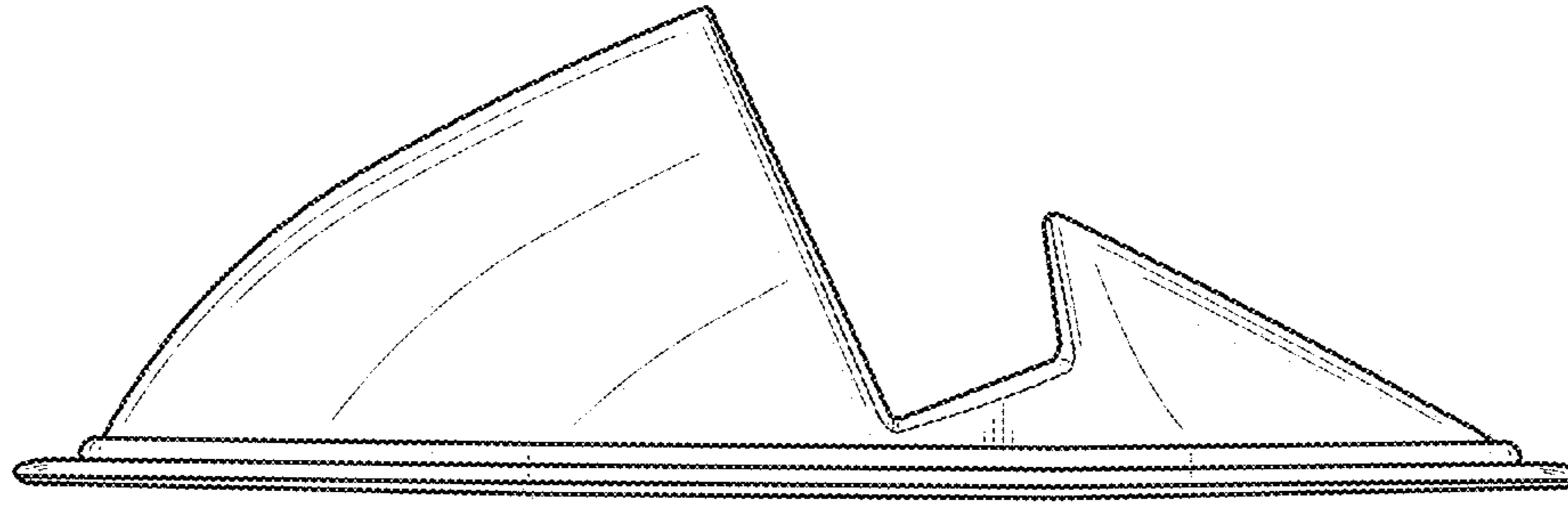


FIG. 6

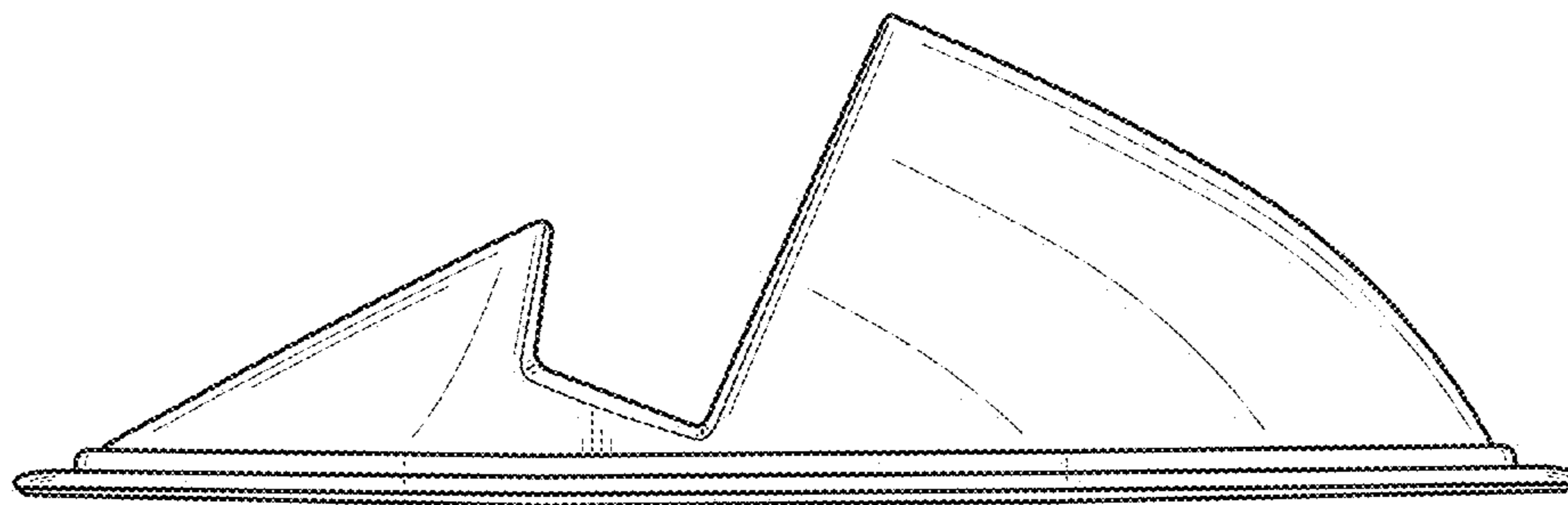


FIG. 7