



US00D703214S

(12) **United States Design Patent**  
**Lye**

(10) **Patent No.:** **US D703,214 S**

(45) **Date of Patent:** **\*\* Apr. 22, 2014**

(54) **PORTABLE TABLET COMPUTER STAND**

(71) Applicant: **Kok Hong Lye**, Singapore (SG)

(72) Inventor: **Kok Hong Lye**, Singapore (SG)

(\*\*) Term: **14 Years**

(21) Appl. No.: **29/444,238**

(22) Filed: **Jan. 28, 2013**

(51) **LOC (10) Cl.** ..... **08-07**

(52) **U.S. Cl.**  
USPC ..... **D14/447**

(58) **Field of Classification Search**  
USPC ..... D14/447, 432, 434, 439, 448, 451, 452,  
D14/457, 239, 250, 251, 253, 238.1, 440,  
D14/205, 223, 224, 224.1, 229; D13/108;  
D6/406.1, 406.2, 406.3, 406.4, 406.5,  
D6/406.6, 601; 248/917-924, 363, 445,  
248/447, 451, 455, 456, 460, 371, 166, 434,  
248/188.6; 361/726, 679.02, 679.09,  
361/679.21, 679.22, 679.26, 679.27,  
361/679.29, 679.3, 679.55, 679.56  
See application file for complete search history.

(56) **References Cited**

**U.S. PATENT DOCUMENTS**

7,828,260 B2 \* 11/2010 Hauser et al. .... 248/456  
D644,230 S \* 8/2011 Lin ..... D14/447  
D656,500 S \* 3/2012 Maruyama et al. .... D14/447

D665,812 S \* 8/2012 Huang et al. .... D14/447  
D667,831 S \* 9/2012 Stravitz ..... D14/447  
8,282,065 B1 \* 10/2012 Stone ..... 248/454  
D670,296 S \* 11/2012 Seehoff ..... D14/447  
D673,961 S \* 1/2013 Matsui et al. .... D14/447  
D675,211 S \* 1/2013 Rouser ..... D14/440  
D676,055 S \* 2/2013 Izen et al. .... D14/447  
D676,853 S \* 2/2013 Gengler ..... D14/447  
D678,886 S \* 3/2013 Heckler ..... D14/447  
D684,963 S \* 6/2013 Goodrich ..... D14/253

\* cited by examiner

*Primary Examiner* — Angela J Lee

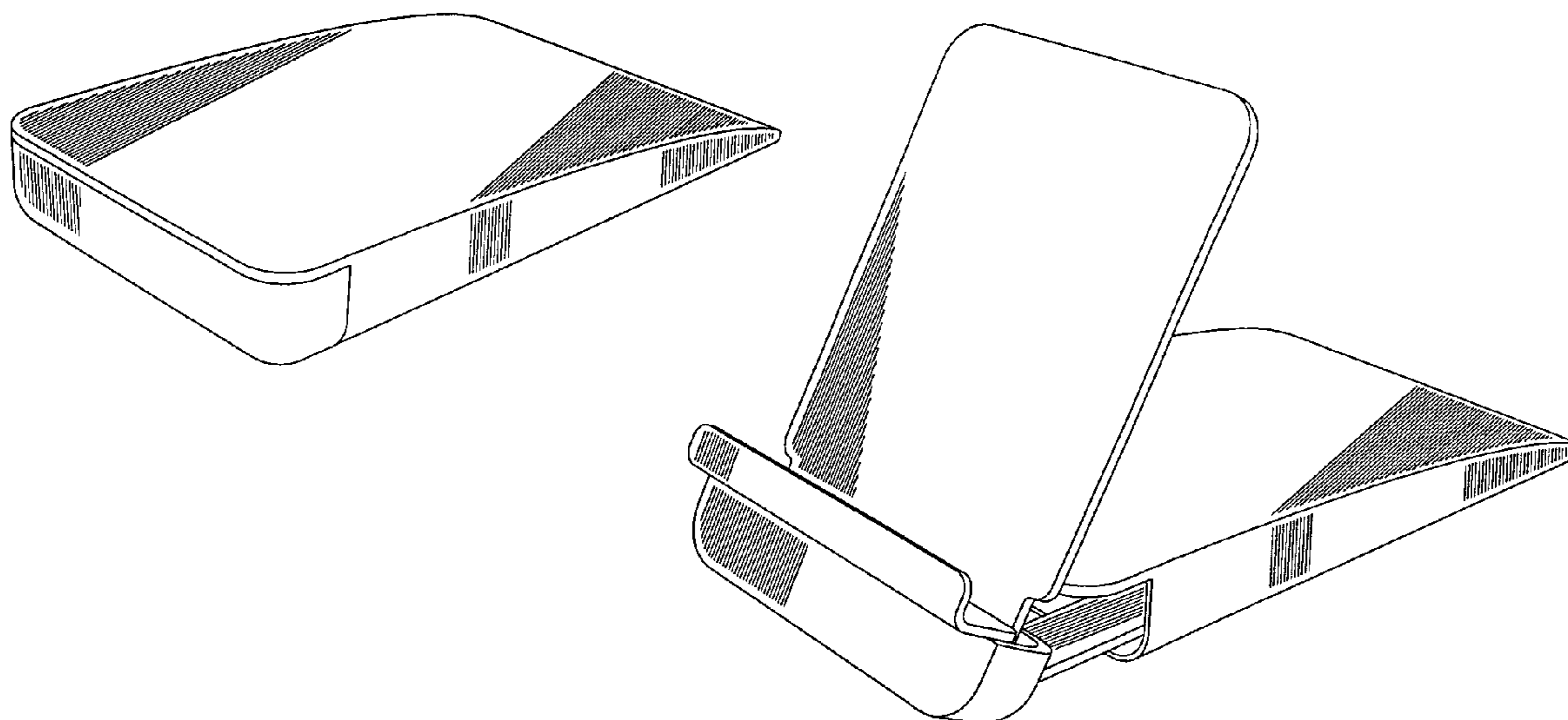
(57) **CLAIM**

The ornamental design for a portable tablet computer stand, as shown and described.

**DESCRIPTION**

FIG. 1 is a perspective view of a portable tablet computer stand showing my new design;  
FIG. 2 is a perspective view thereof, but showing the stand in a second position;  
FIG. 3 is a perspective view thereof, but showing the stand in a third position;  
FIG. 4 is a top plan view thereof;  
FIG. 5 is a right side elevational view thereof; and,  
FIG. 6 is a front view thereof.

**1 Claim, 2 Drawing Sheets**



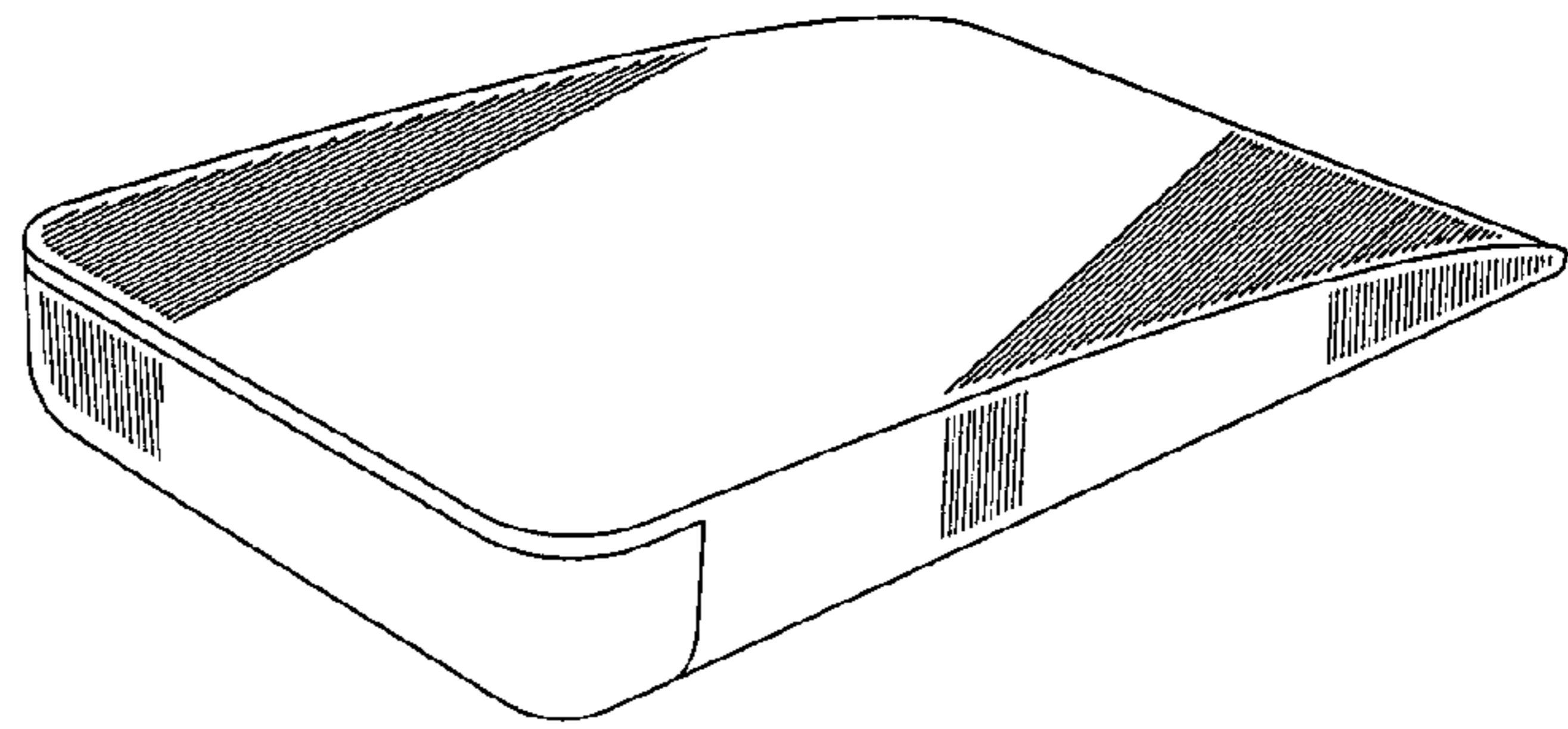


Fig. 1

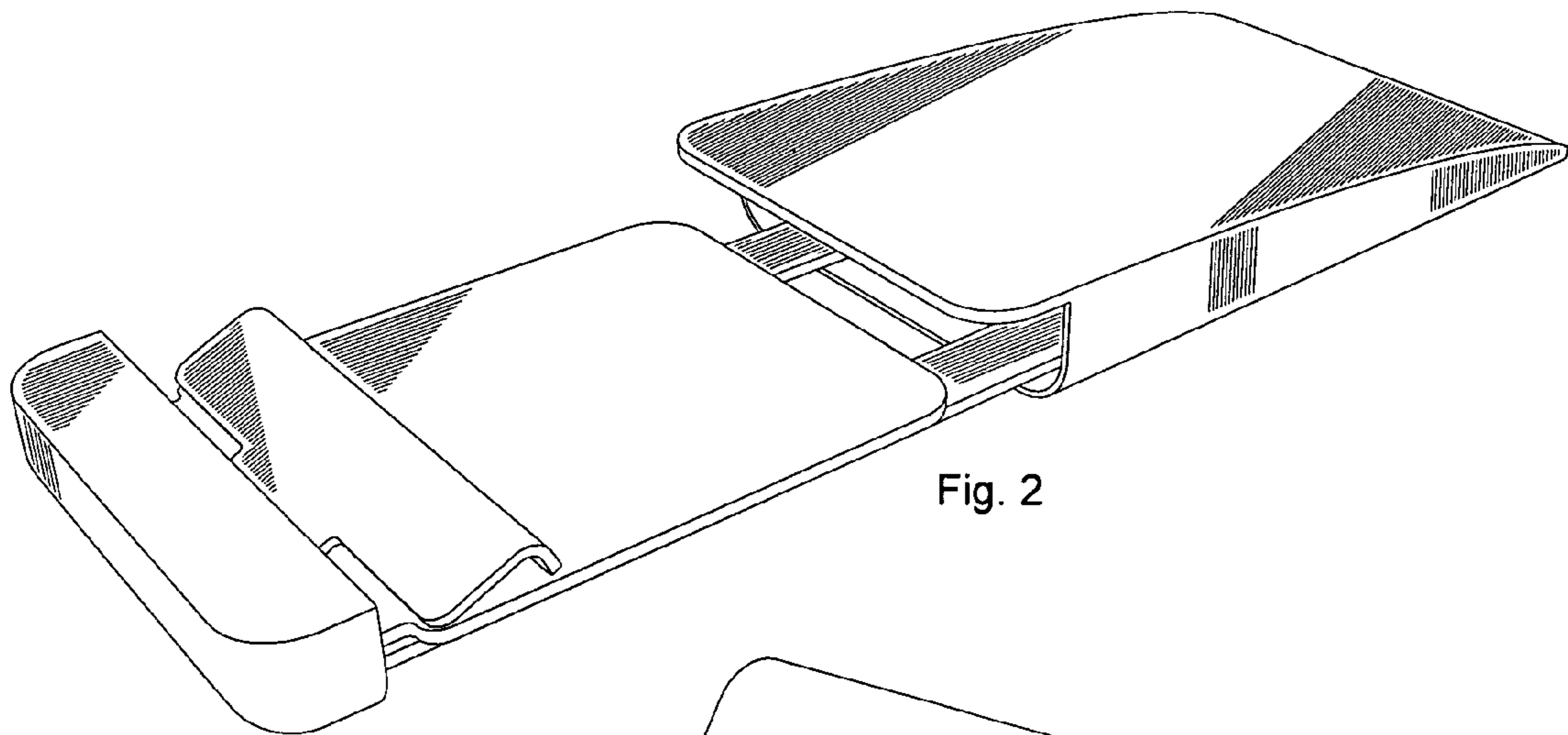


Fig. 2

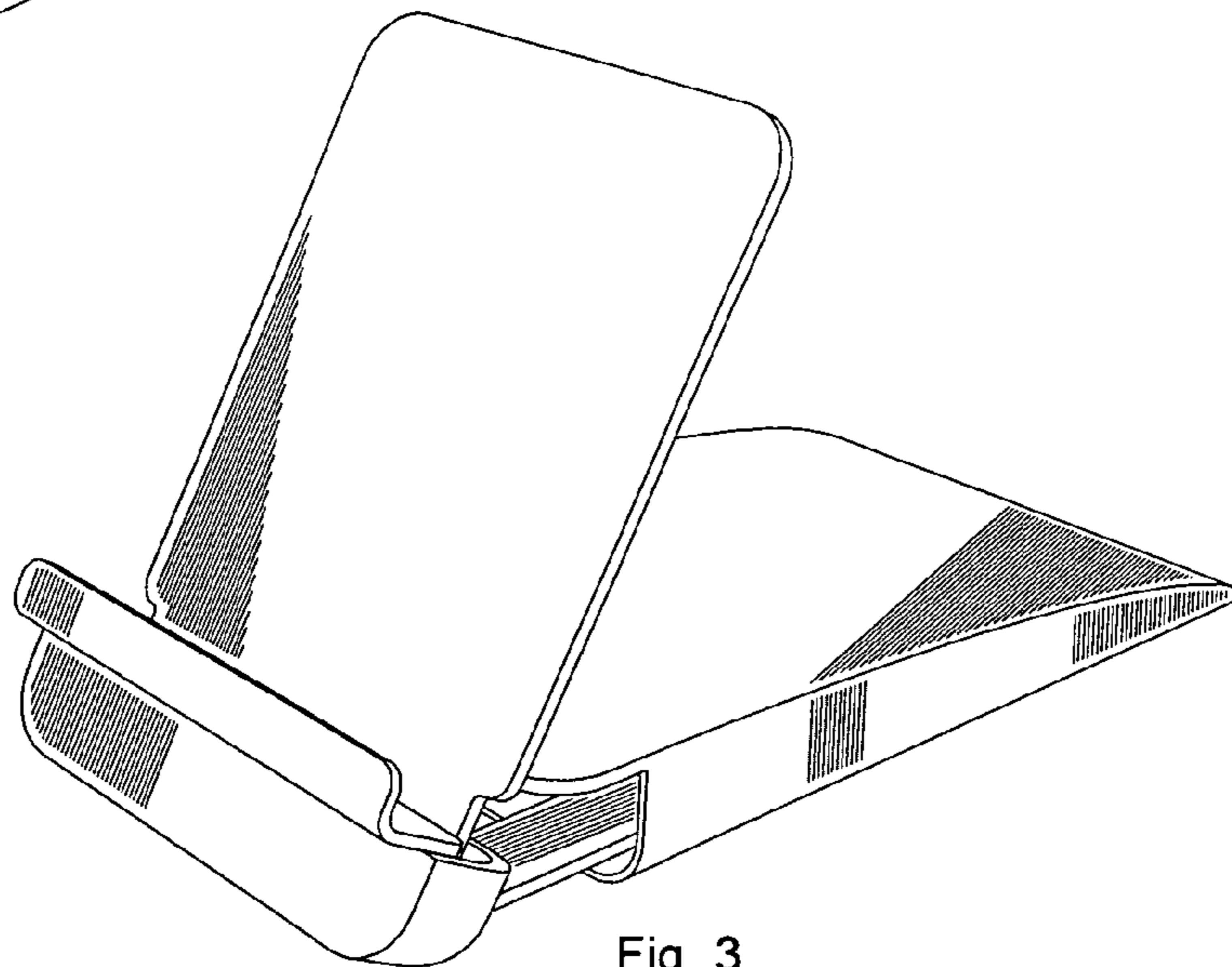


Fig. 3

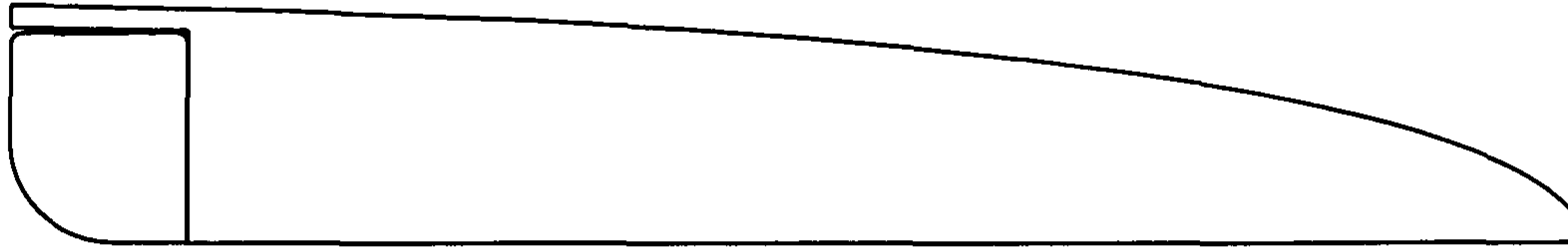


Fig. 4

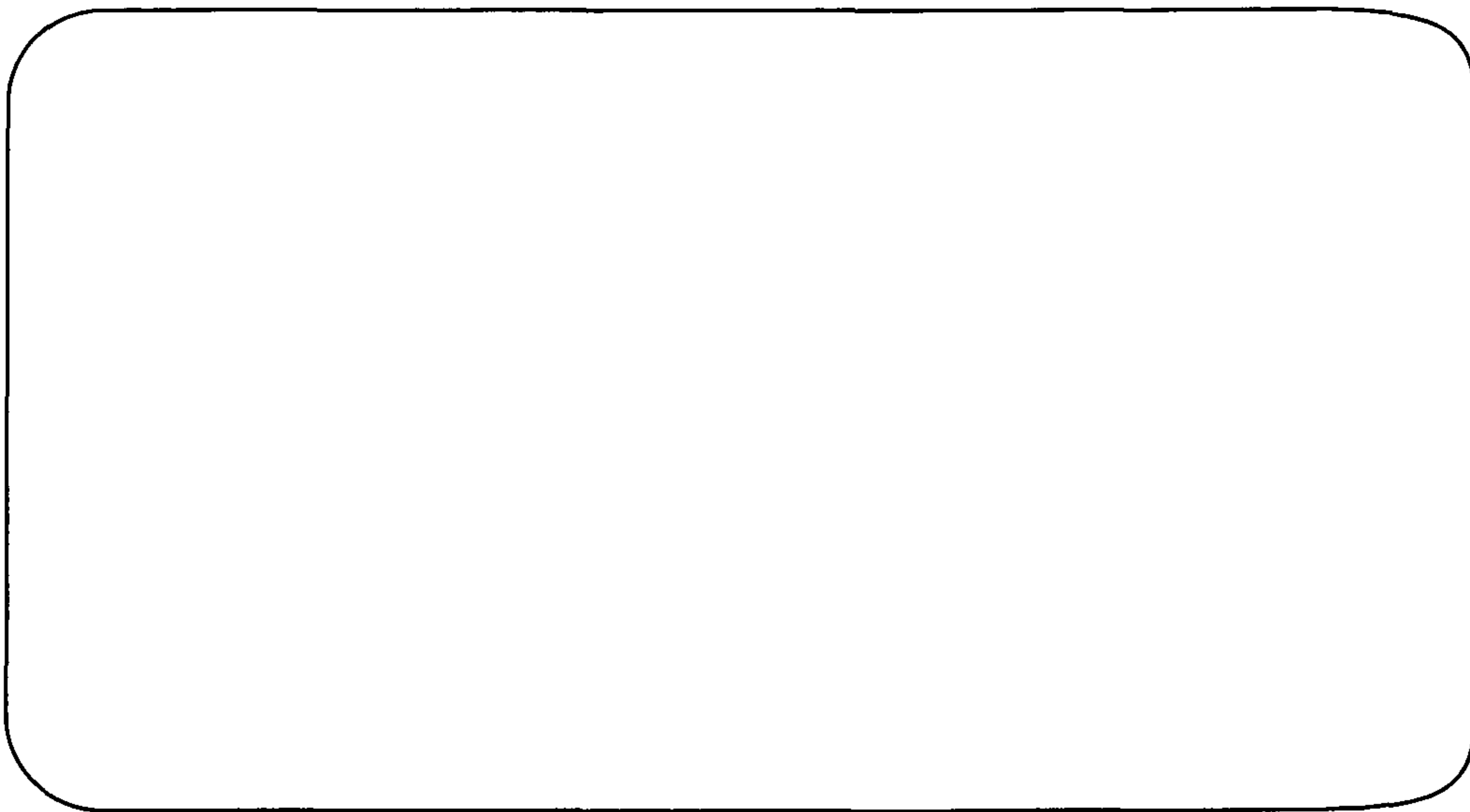


Fig. 5

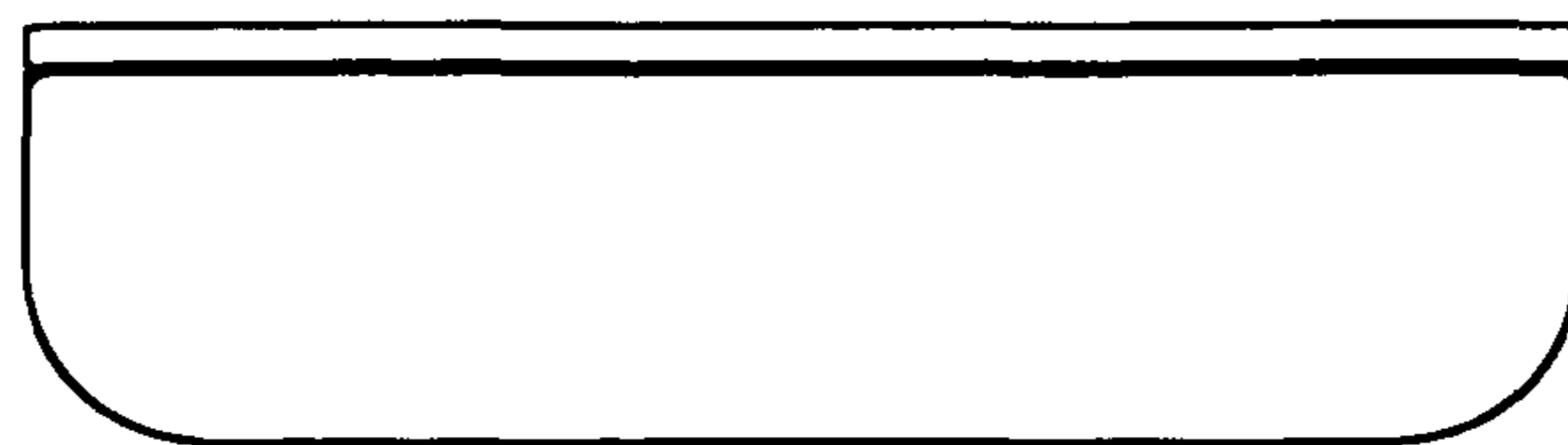


Fig. 6