



US00D703212S

(12) **United States Design Patent**
Cruz et al.

(10) **Patent No.:** **US D703,212 S**
(45) **Date of Patent:** **** Apr. 22, 2014**

(54) **PYRAMID SWIVEL BASE ASSEMBLY**

(71) Applicant: **Google Inc.**, Mountain View, CA (US)

(72) Inventors: **Michael Cruz**, Homestead, FL (US);
Frank E. Puerta, Weston, FL (US)

(73) Assignee: **Google Inc.**, Mountain View, CA (US)

(**) Term: **14 Years**

(21) Appl. No.: **29/437,909**

(22) Filed: **Nov. 21, 2012**

(51) **LOC (10) Cl.** **14-04**

(52) **U.S. Cl.**
USPC **D14/447**

(58) **Field of Classification Search**

USPC D14/432, 433, 434, 439, 440, 451, 452,
D14/239, 217, 224.1, 251, 252, 253, 457,
D14/458, 459, 460, 461; D6/406.1, 406.2,
D6/406.3, 406.4, 406.5, 406.6;
361/679.06, 679.21, 679.22, 679.24,
361/679.26, 679.27, 679.28, 679.3, 679.55,
361/679.56, 709; 248/917-924, 133, 136,
248/139, 150, 176.1, 188.6

See application file for complete search history.

(56) **References Cited**

U.S. PATENT DOCUMENTS

4,858,209 A * 8/1989 Chaut 368/223
D343,754 S * 2/1994 Pierce et al. D6/601
D345,699 S * 4/1994 Yang D10/21

(Continued)

OTHER PUBLICATIONS

Horus Coffee Table With iPod Dock, <http://www.sanyartspace.com/space/tag/coffee-end-side-tables>, Apr. 28, 2010, viewed on May 22, 2013.*

(Continued)

Primary Examiner — Angela J Lee

(74) *Attorney, Agent, or Firm* — Johnson, Marcou & Isaacs, LLC

(57) **CLAIM**

The ornamental design for a pyramid swivel base assembly, as shown and described.

DESCRIPTION

FIG. 1 is a top plan view of a pyramid swivel base assembly; FIG. 2 is a front elevational view thereof; FIG. 3 is a bottom view thereof; FIG. 4 is a left elevational view thereof; FIG. 5 is a rear elevational view thereof; FIG. 6 is a right elevational view thereof; and FIG. 7 is a front isometric view thereof, showing our design being used with a payment register machine mounted thereon.

FIG. 8 is a right-rear isometric view thereof, showing our design being used with the payment register machine mounted thereon.

FIG. 9 is a left-rear isometric view thereof, showing our design being used with the payment register machine mounted thereon.

FIG. 10 a left-rear isometric view thereof, showing our design being used with the payment register machine mounted thereon, and an upper section partially rotated with respect to a lower section.

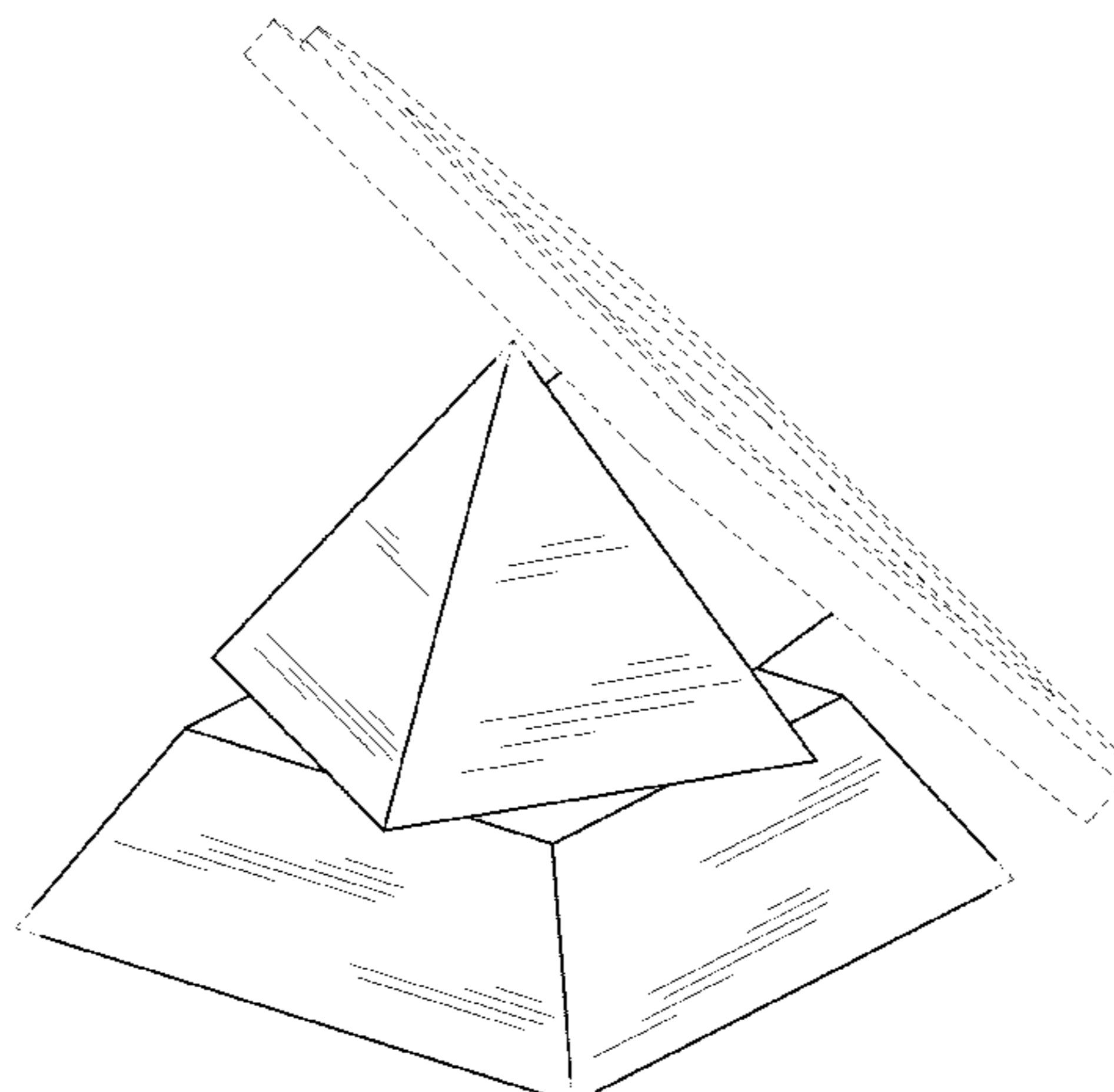
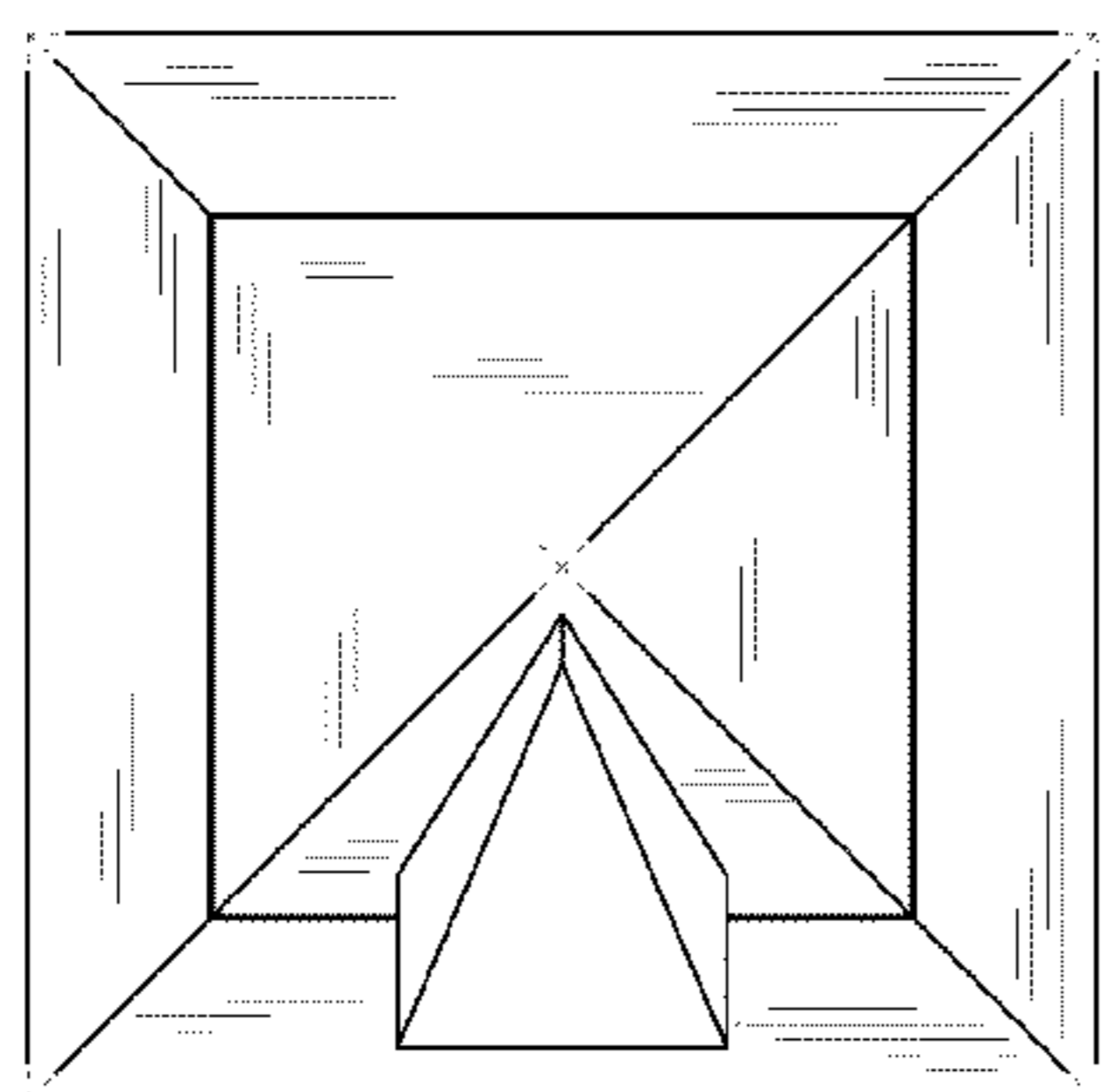
FIG. 11 a right-rear isometric view thereof, showing our design being used with the payment register machine mounted thereon, and the upper section partially rotated with respect to the lower section; and,

FIG. 12 a front isometric view thereof, showing our design being used with the payment register machine mounted thereon, and the upper section partially rotated with respect to the lower section.

The broken line corners of the pyramid swivel base assembly represent the bounds of the claimed design while all other broken lines are directed to environment and are for illustrative purposes only. All of the broken lines, including those of the corners of the pyramid swivel base assembly, form no part of the claimed design.

The claimed pyramid swivel base assembly is used to conveniently mount a payment register machine to enable a cashier and customer to view transactions by swiveling the present invention.

1 Claim, 6 Drawing Sheets



(56)

References Cited

U.S. PATENT DOCUMENTS

D349,117 S * 7/1994 Rasansky et al. D14/218
5,407,201 A * 4/1995 Whitehurst 273/157 R
D373,528 S * 9/1996 Ser Tuen Wei D9/431
D423,342 S * 4/2000 Popesco D9/636
D443,900 S * 6/2001 Eklund D21/369
D447,143 S * 8/2001 Crane et al. D14/439
D643,633 S * 8/2011 Chiu D6/308

D643,845 S * 8/2011 Hong D14/447
D677,669 S * 3/2013 Liu D14/447

OTHER PUBLICATIONS

XtremeMac Soma Stand: The Pyramid Shape of Pharaoh, <http://thecoolgadgets.com/xtrememac-soma-stand-the-pyramid-shape-of-pharao/>, 2011, viewed on May 22, 2013.*

* cited by examiner

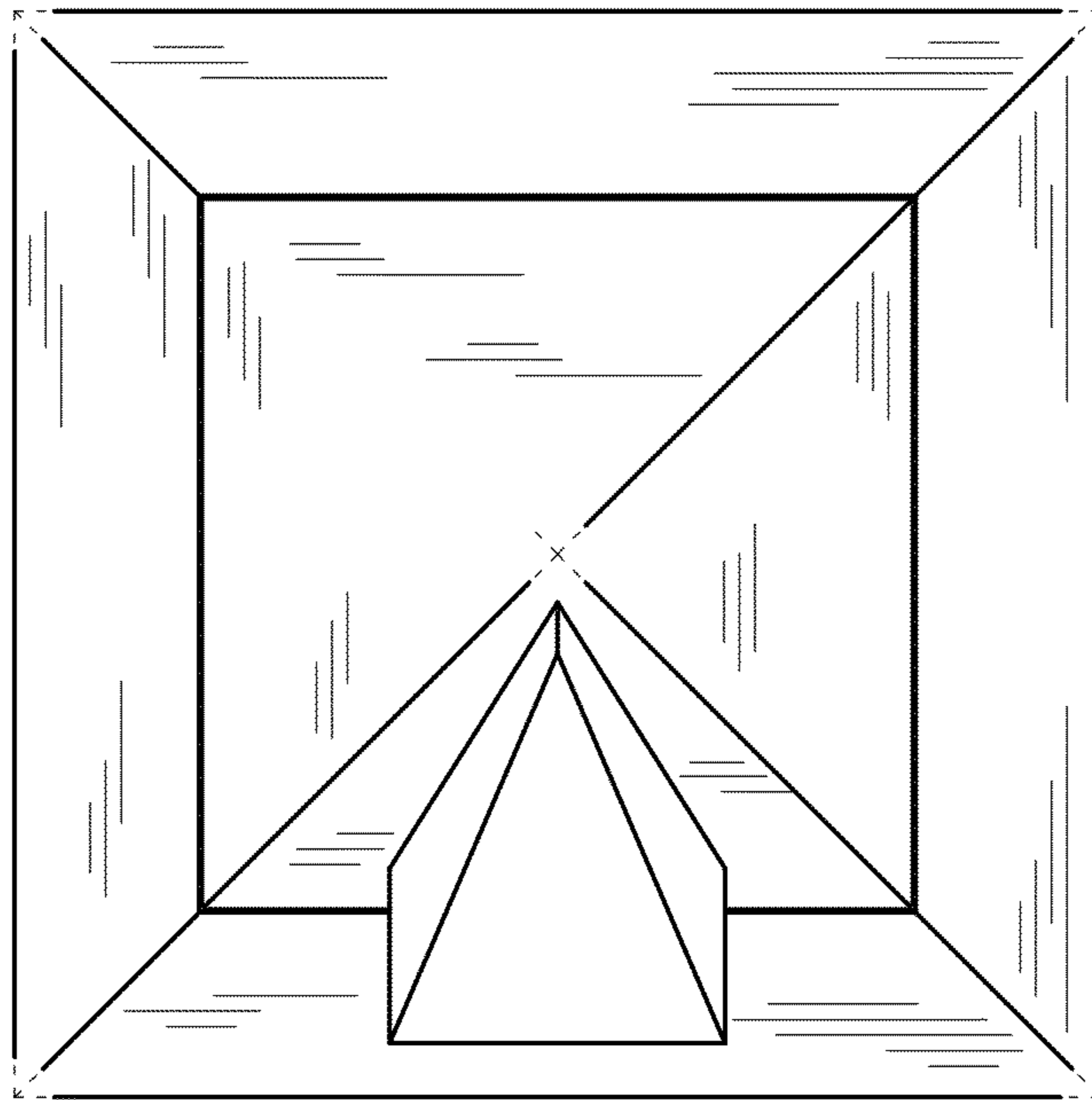


Fig. 1

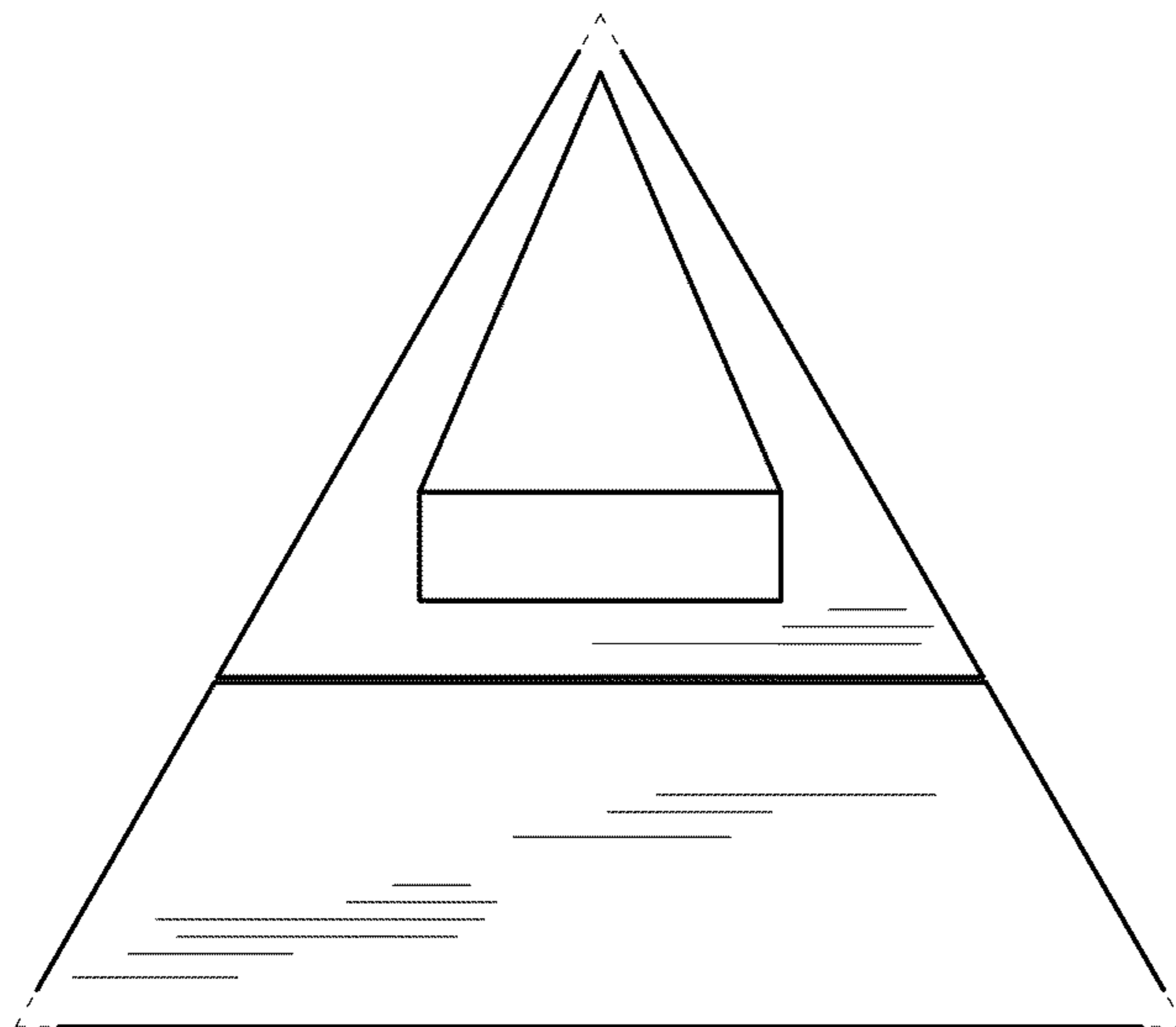


Fig. 2

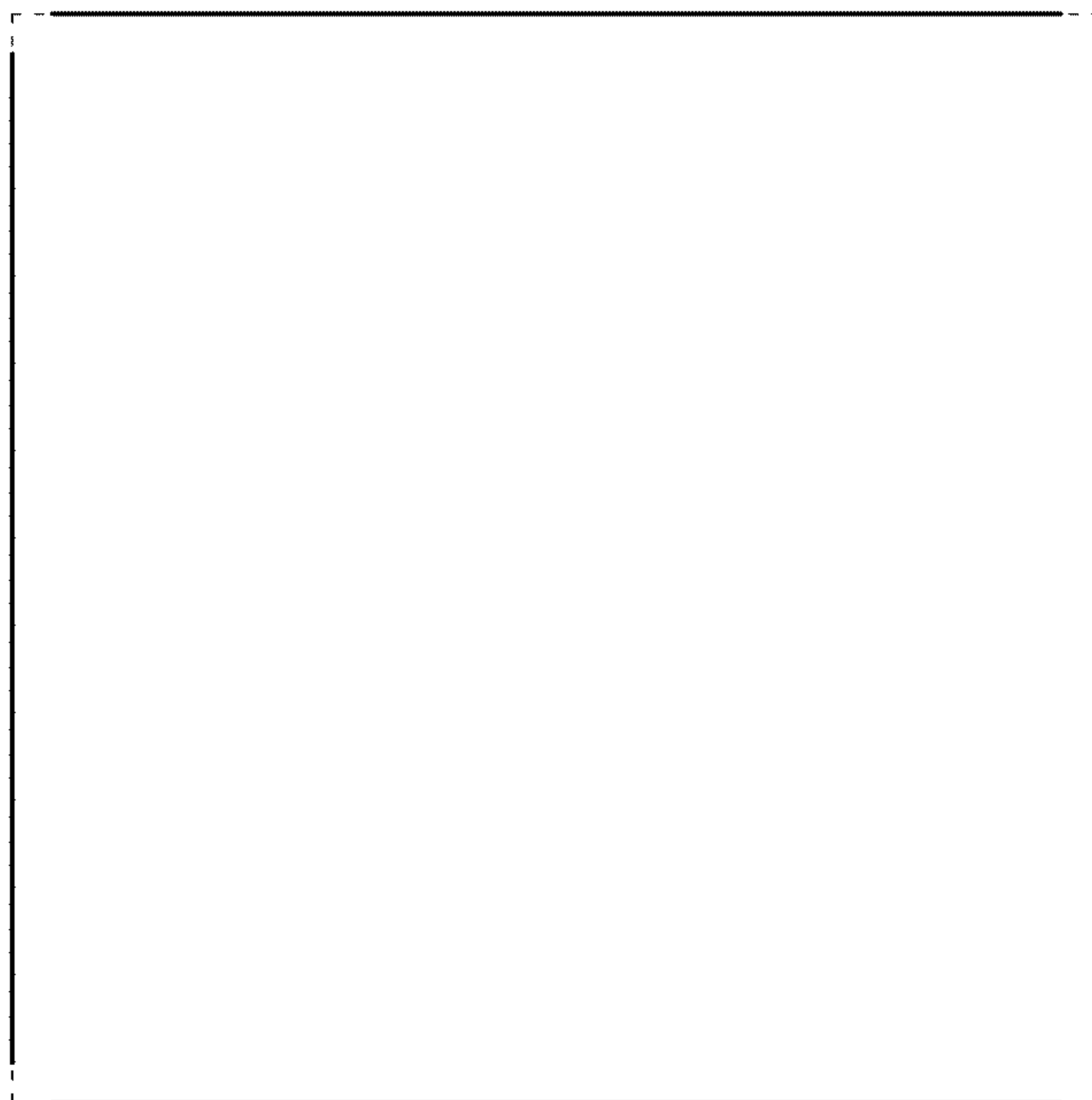


Fig. 3

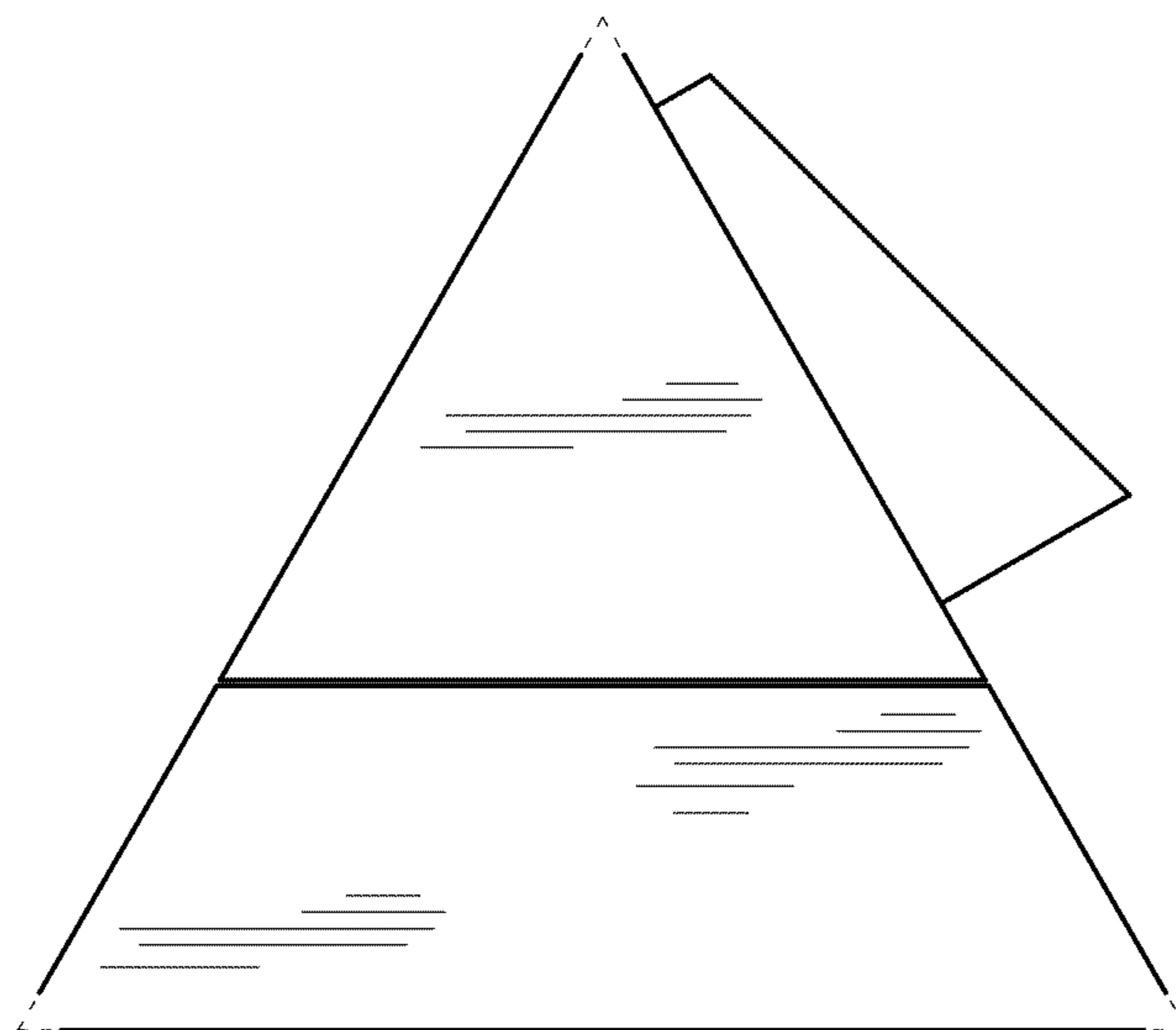


Fig. 4

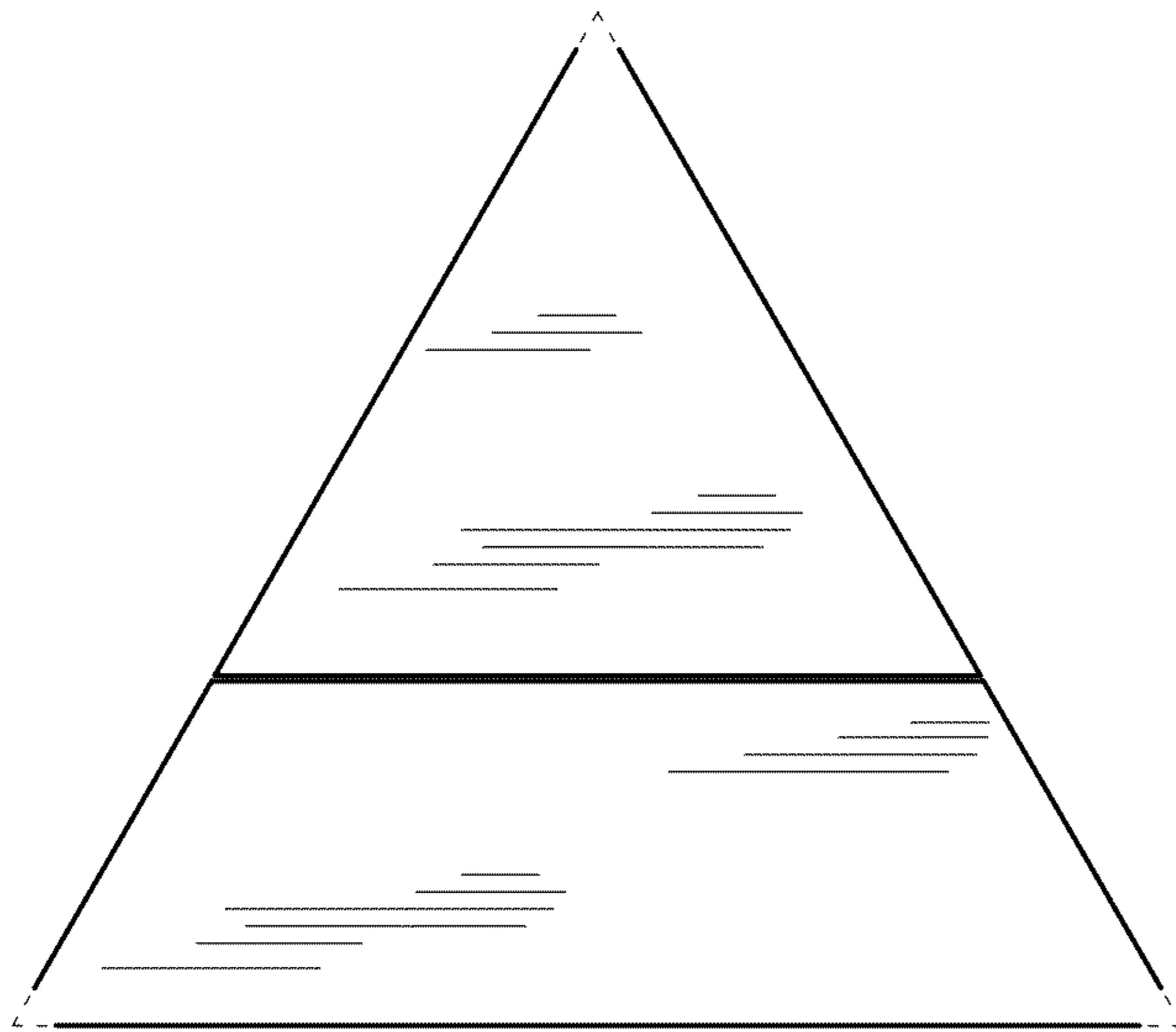


Fig. 5

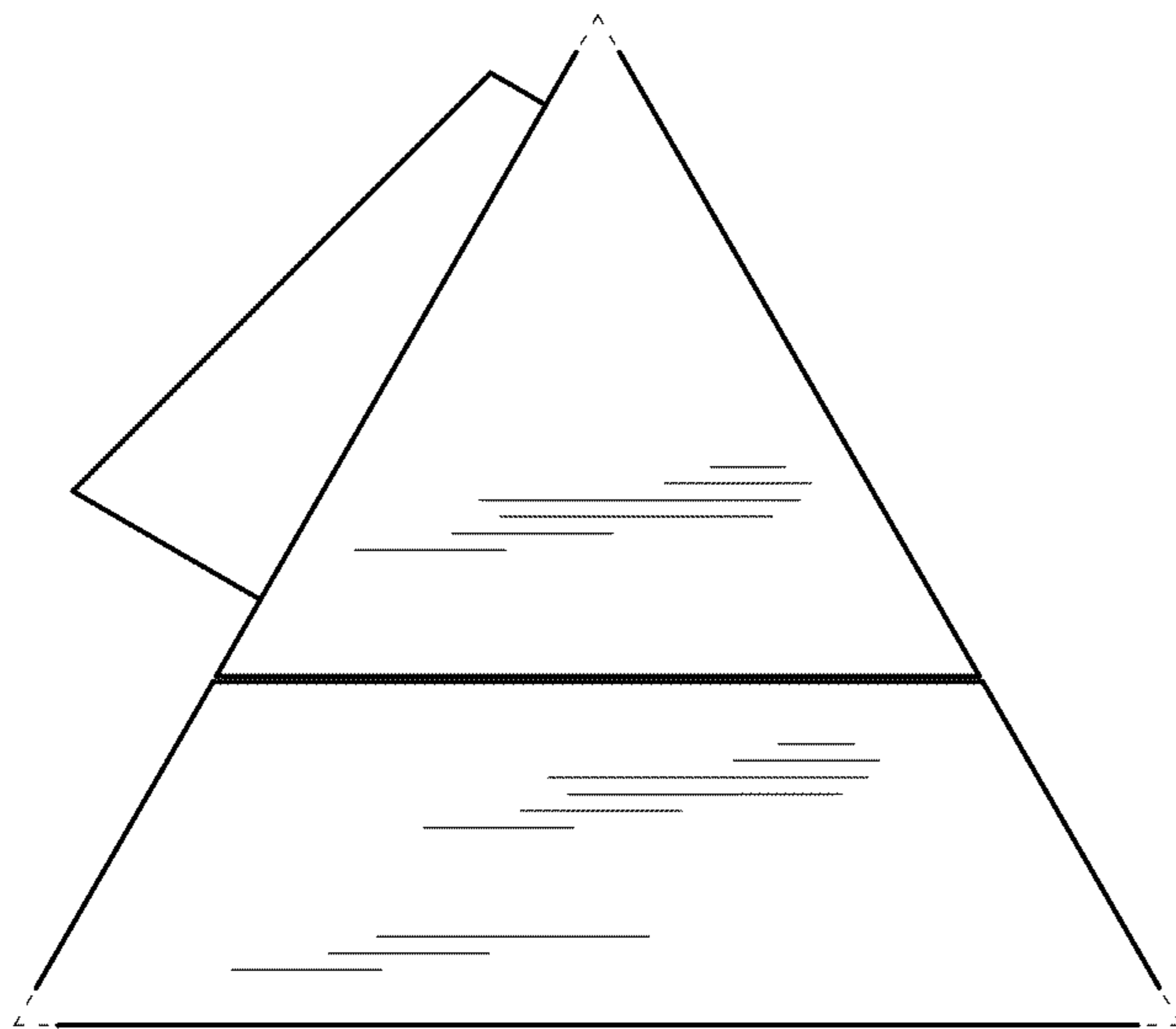


Fig. 6

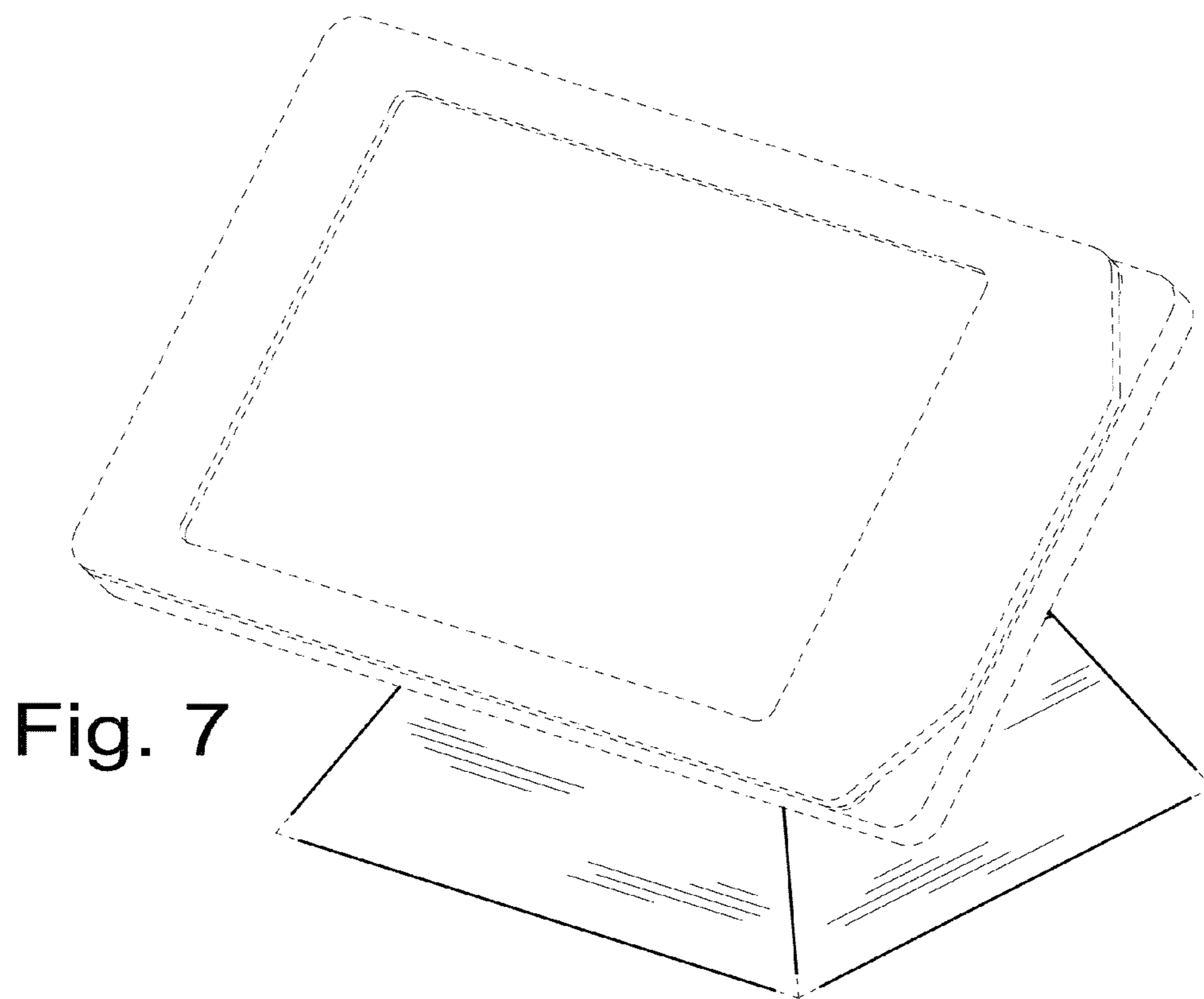


Fig. 7

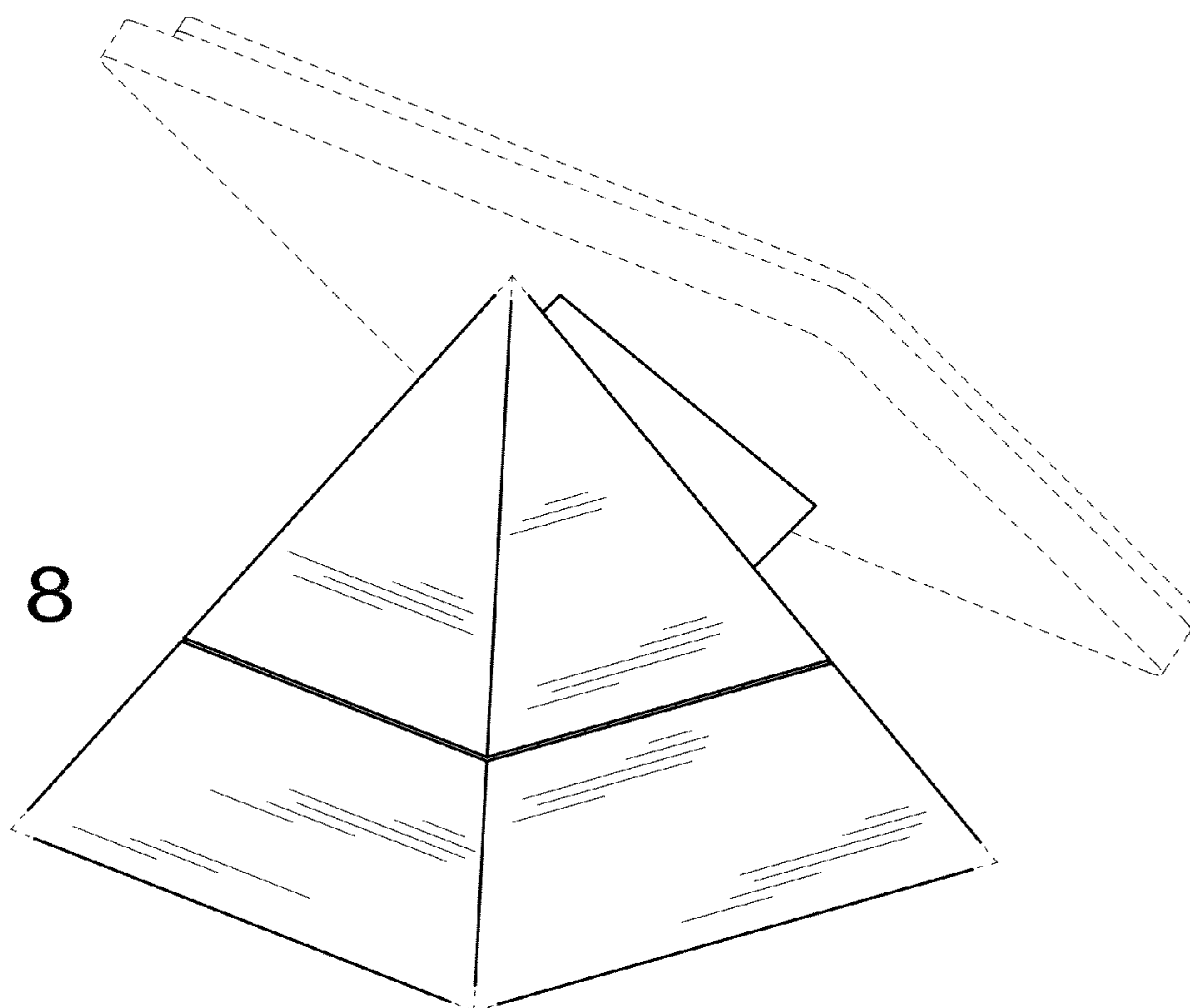


Fig. 8

Fig. 9

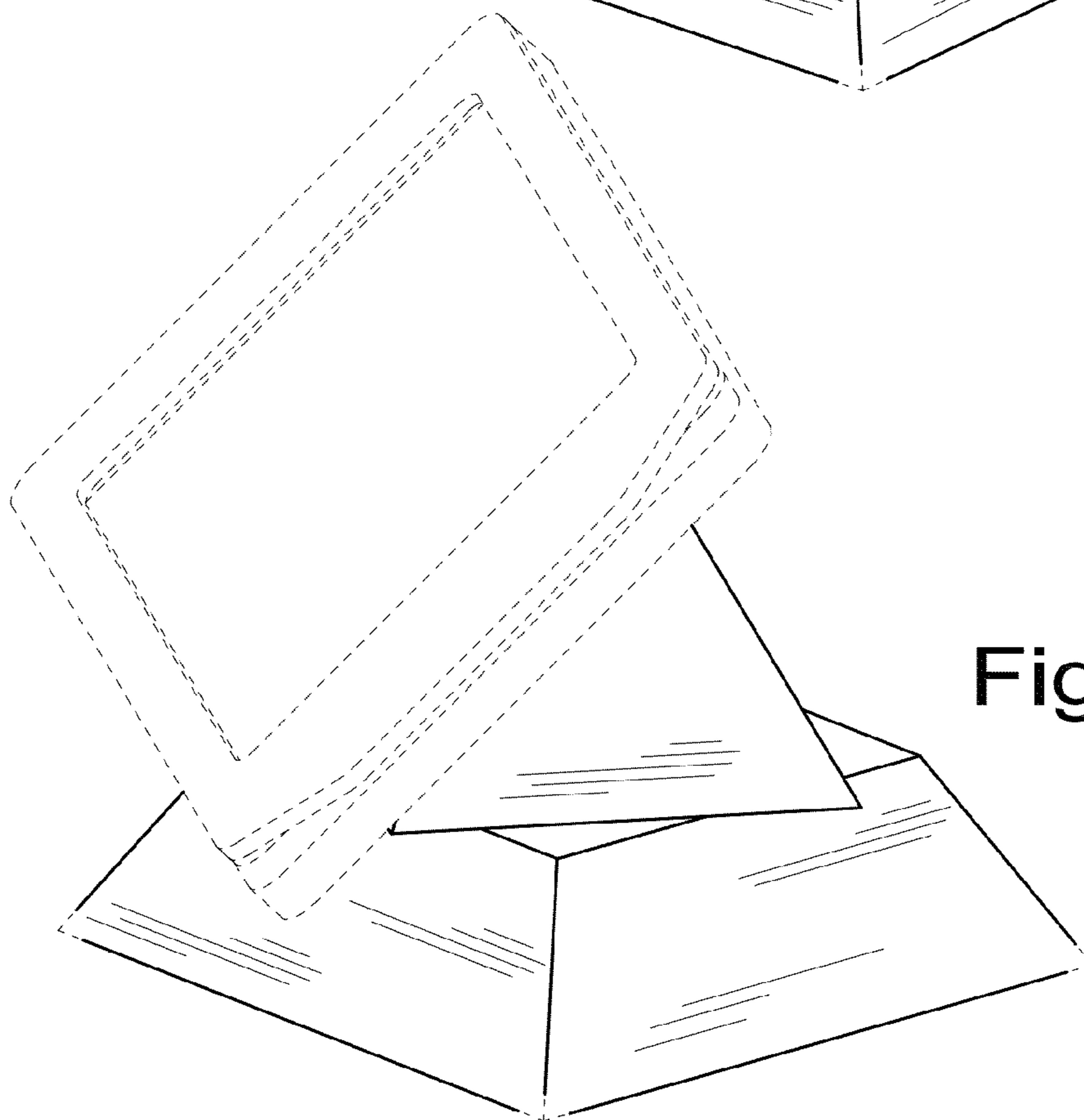
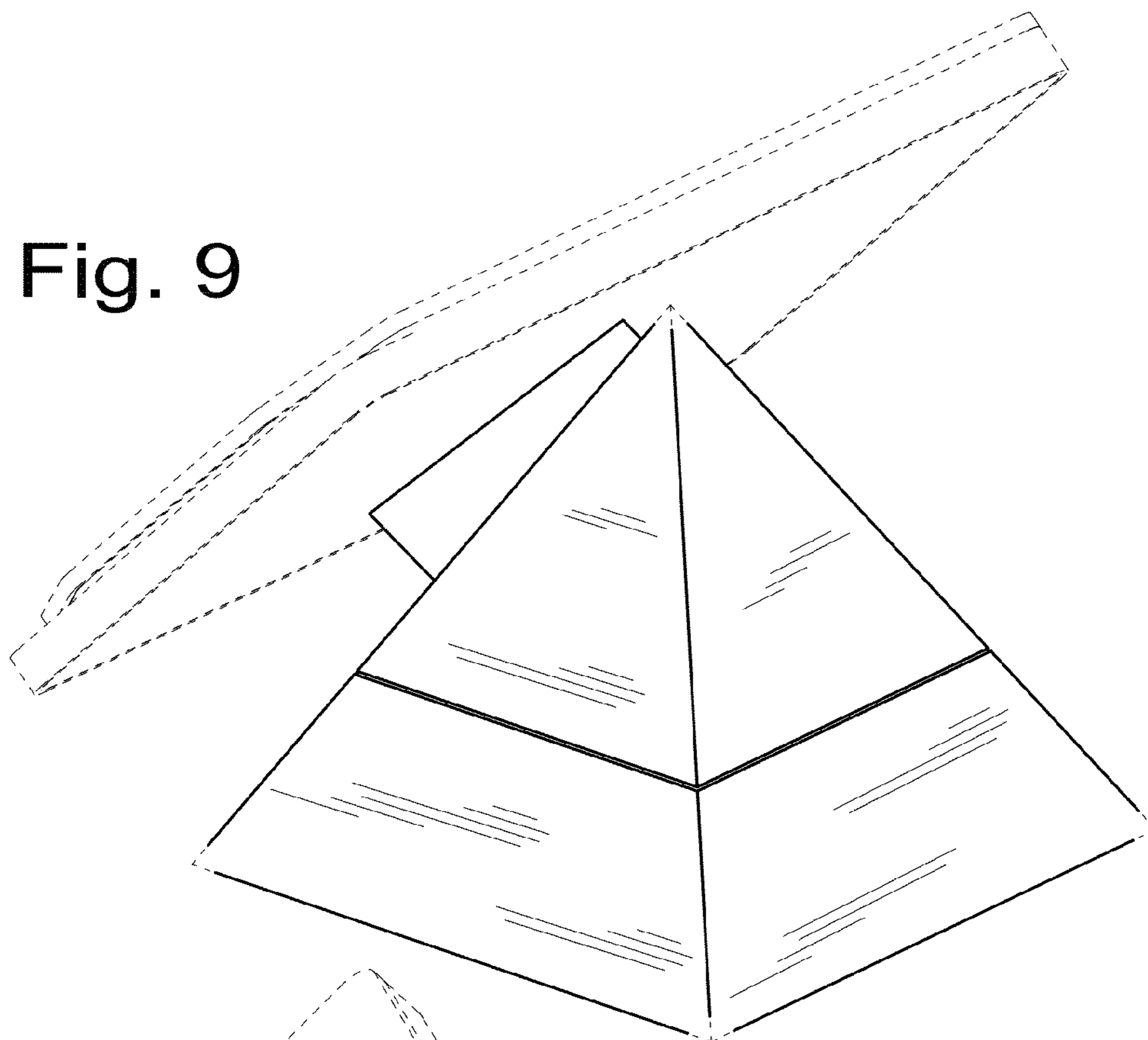


Fig. 10

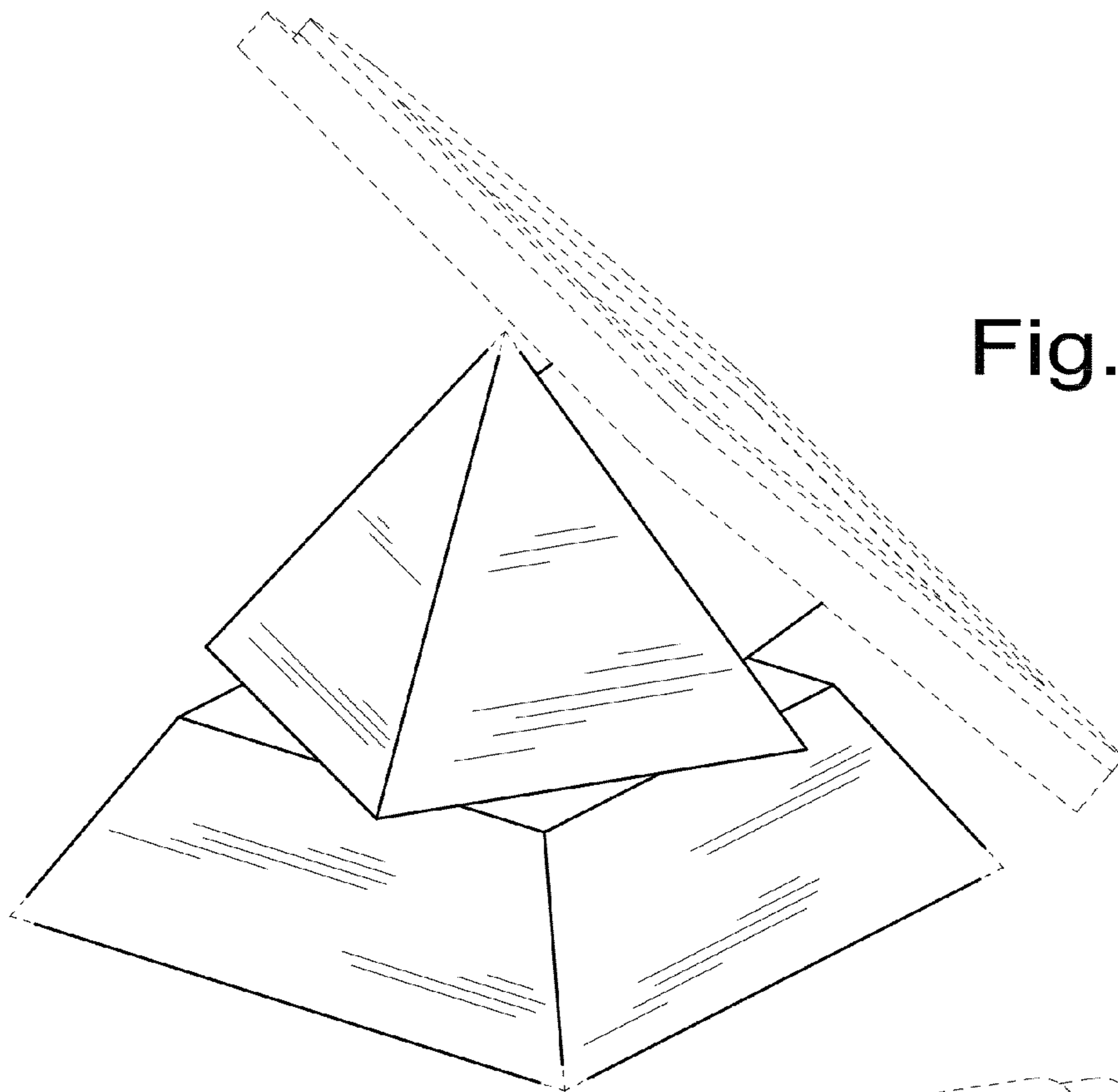


Fig. 11

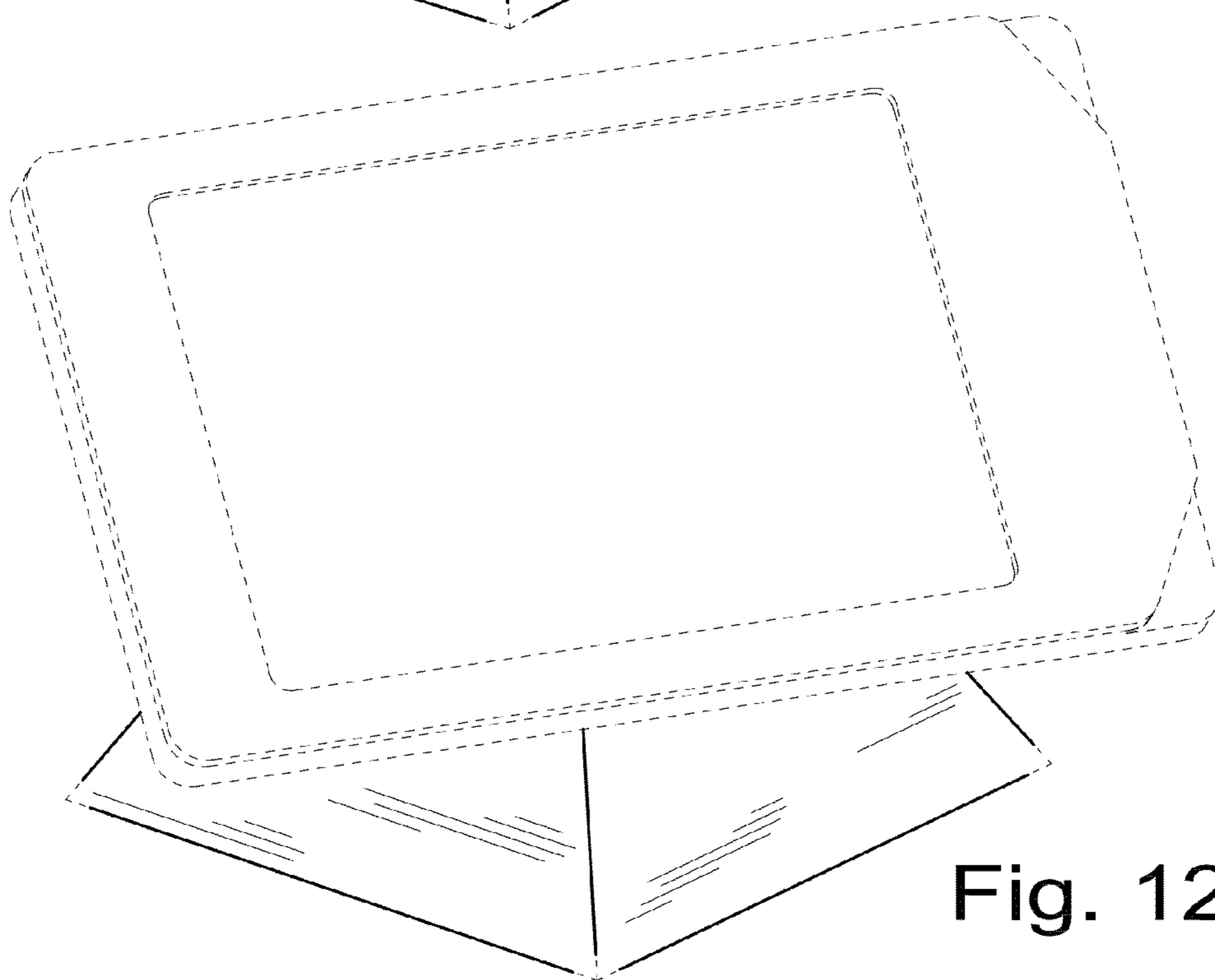


Fig. 12