



US00D703210S

(12) **United States Design Patent**  
**Gelsomini et al.**

(10) **Patent No.:** **US D703,210 S**  
(45) **Date of Patent:** **\*\* Apr. 22, 2014**

(54) **TABLET CASE**

(71) Applicant: **Dundee Precious Metals Inc.**, Toronto  
(CA)

(72) Inventors: **Mark Gelsomini**, Richmond Hill (CA);  
**Richard Coulson**, Markham (CA)

(73) Assignee: **Dundee Precious Metals Inc.**, Toronto  
(CA)

(\*\*) Term: **14 Years**

(21) Appl. No.: **29/438,004**

(22) Filed: **Nov. 23, 2012**

(30) **Foreign Application Priority Data**

May 23, 2012 (CA) ..... 145744

(51) **LOC (10) Cl.** ..... **14-02**

(52) **U.S. Cl.**  
USPC ..... **D14/440**

(58) **Field of Classification Search**

USPC ..... D14/250, 251, 253, 240, 217, 496, 440,  
D14/203.3, 203.4, 203.5, 203.8, 341, 318;  
D3/218, 215, 201; 220/4.02;  
248/309.1; 361/679.56; 379/426,  
379/433.11, 455; 455/575.1, 575.8;  
190/100; 206/305, 320; D21/469

See application file for complete search history.

(56) **References Cited**

U.S. PATENT DOCUMENTS

D250,433 S \* 11/1978 Malcolm ..... D3/282  
D358,328 S \* 5/1995 Huerto et al. .... D9/435  
6,772,879 B1 \* 8/2004 Domotor ..... 206/45.23

(Continued)

*Primary Examiner* — Cynthia Underwood

(74) *Attorney, Agent, or Firm* — Growling Lafleur  
Henderson LLP

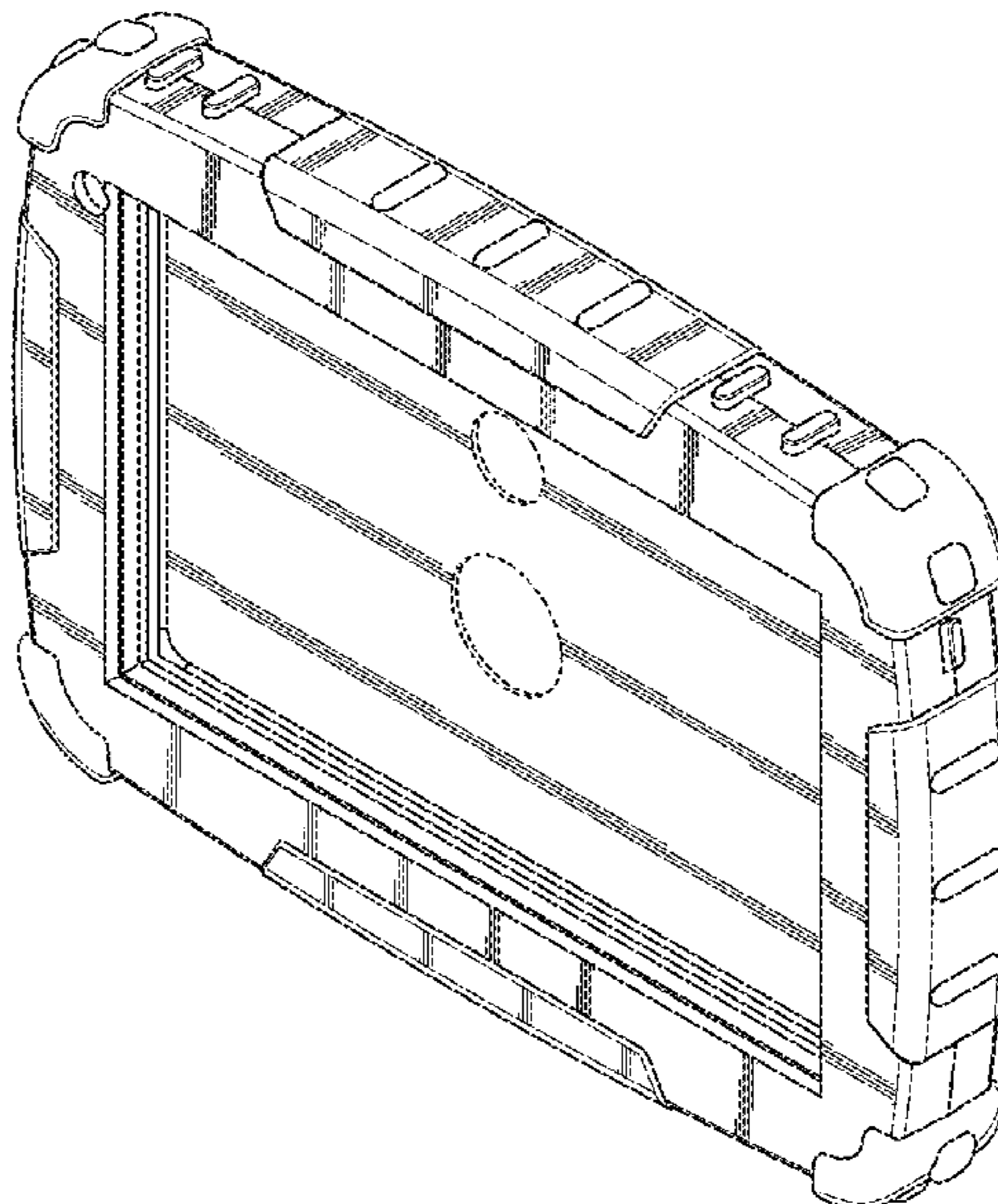
(57) **CLAIM**

The ornamental design for a tablet case, as shown and  
described.

**DESCRIPTION**

FIG. 1 is an isometric front view of a tablet case showing the  
new design;  
FIG. 2 is a front view of the design of FIG. 1;  
FIG. 3 is a back side view of the design of FIG. 1;  
FIG. 4 is a right side view of the design of FIG. 1;  
FIG. 5 is a left view of the design of FIG. 1;  
FIG. 6 is a top view of the design of FIG. 1;  
FIG. 7 is a bottom view of the design of FIG. 1;  
FIG. 8 is an isometric back view of the design of FIG. 1;  
FIG. 9 is an isometric front view of the design of FIG. 1  
showing a tablet as additional environment;  
FIG. 10 is an isometric front view of a tablet case showing a  
first alternative embodiment of the new design;  
FIG. 11 is a front view of the design of FIG. 10;  
FIG. 12 is a back side view of the design of FIG. 10;  
FIG. 13 is a right side view of the design of FIG. 10;  
FIG. 14 is a left view of the design of FIG. 10;  
FIG. 15 is a top view of the design of FIG. 10;  
FIG. 16 is a bottom view of the design of FIG. 10; and,  
FIG. 17 is an isometric back view of the design of FIG. 10.  
The broken lines showing selected portions of the tablet case  
and the tablet in FIG. 9, is for environmental purposes only  
and forms no part of the claimed design.

**1 Claim, 17 Drawing Sheets**



# US D703,210 S

Page 2

---

(56)

## References Cited

### U.S. PATENT DOCUMENTS

D567,500 S \* 4/2008 Kwak et al. .... D3/218  
D571,757 S \* 6/2008 Kesler et al. .... D14/137  
7,542,052 B2 \* 6/2009 Solomon et al. .... 345/659  
D647,303 S \* 10/2011 Mish et al. .... D3/294

D662,925 S \* 7/2012 Mayberry et al. .... D14/250  
D668,660 S \* 10/2012 Norfolk ..... D14/440  
D689,851 S \* 9/2013 Chang et al. .... D14/250  
2006/0104021 A1 \* 5/2006 Chen et al. .... 361/683  
2010/0008028 A1 \* 1/2010 Richardson et al. .... 361/679.01

\* cited by examiner

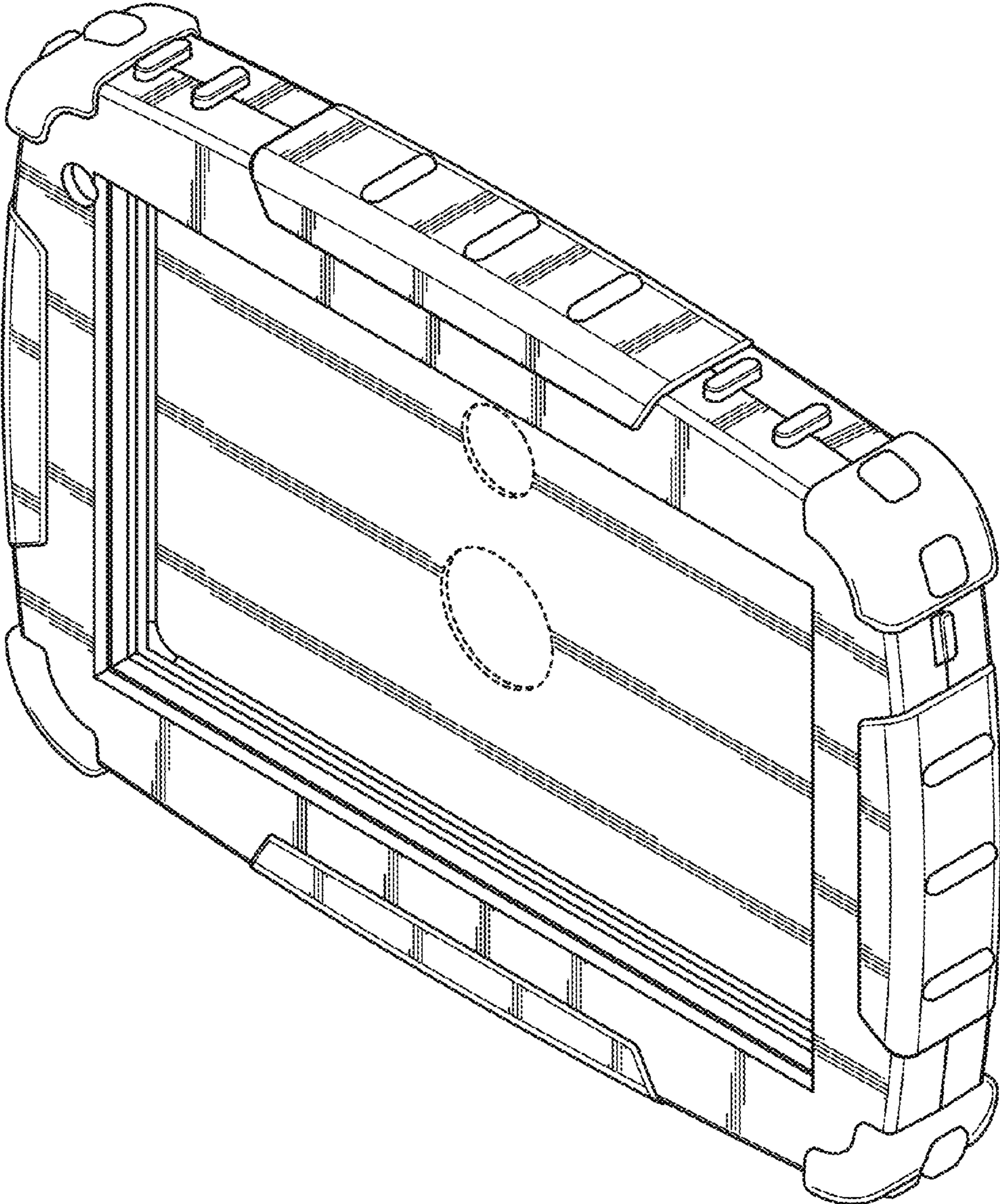


Figure 1



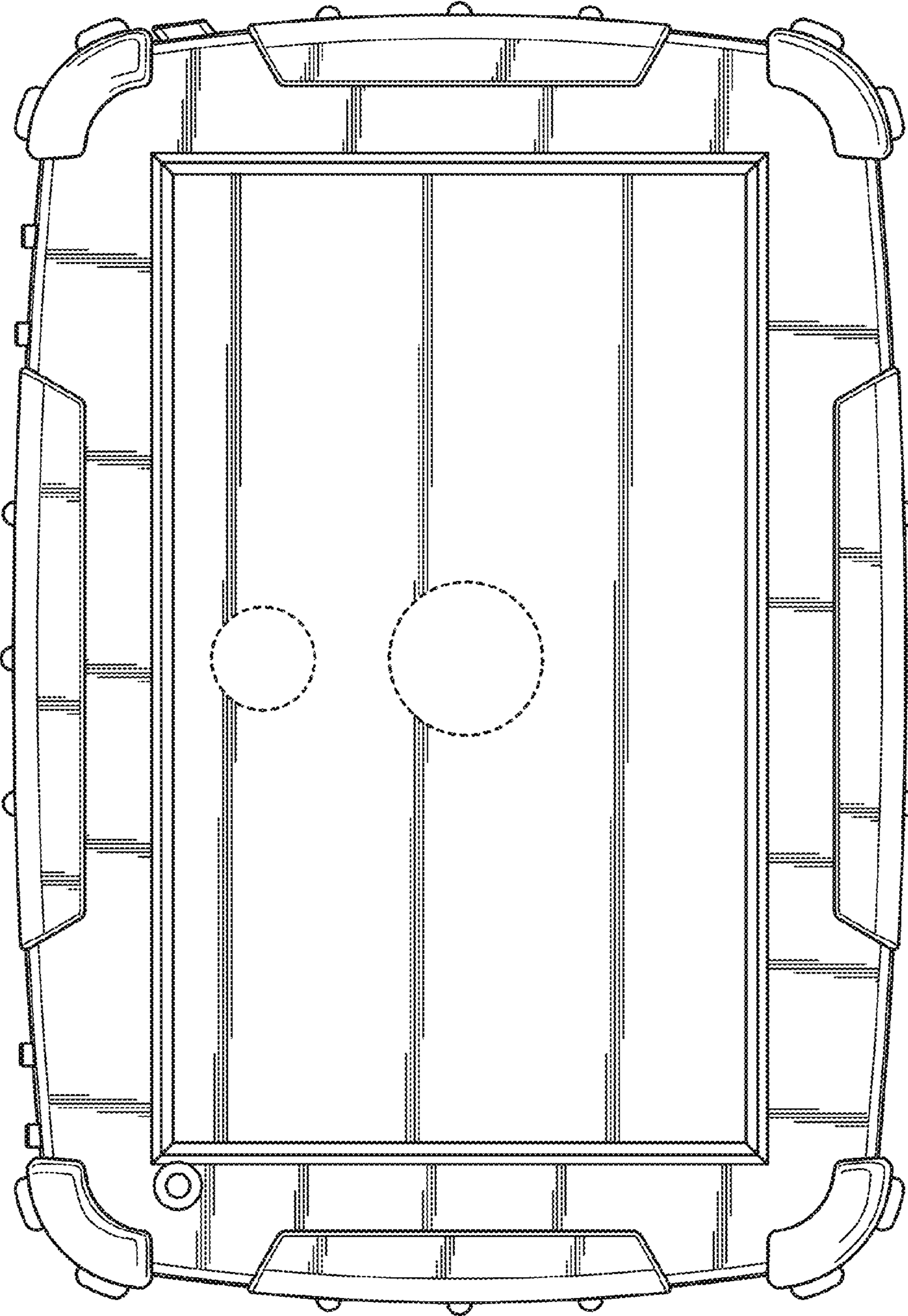


Figure 2

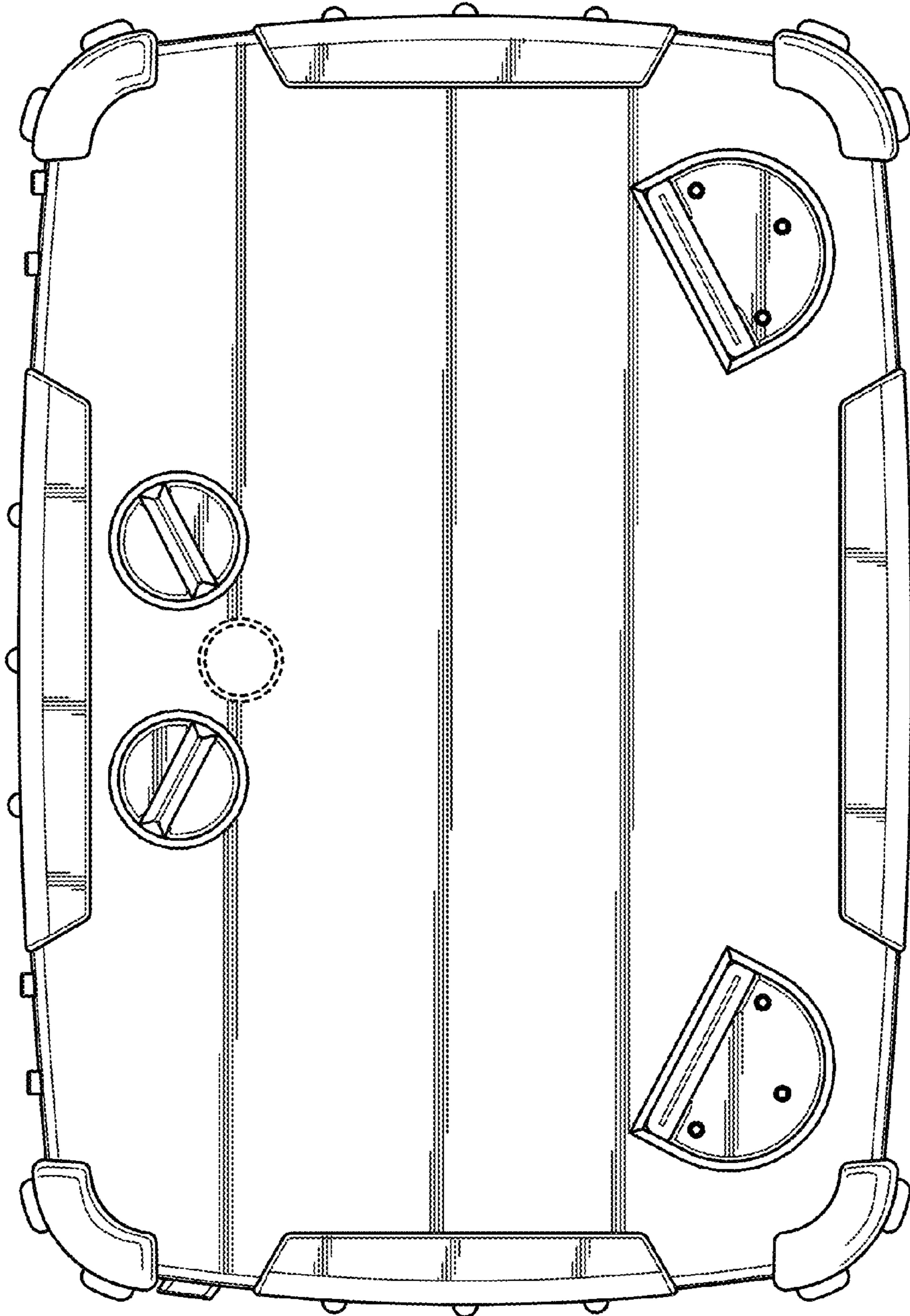


Figure 3

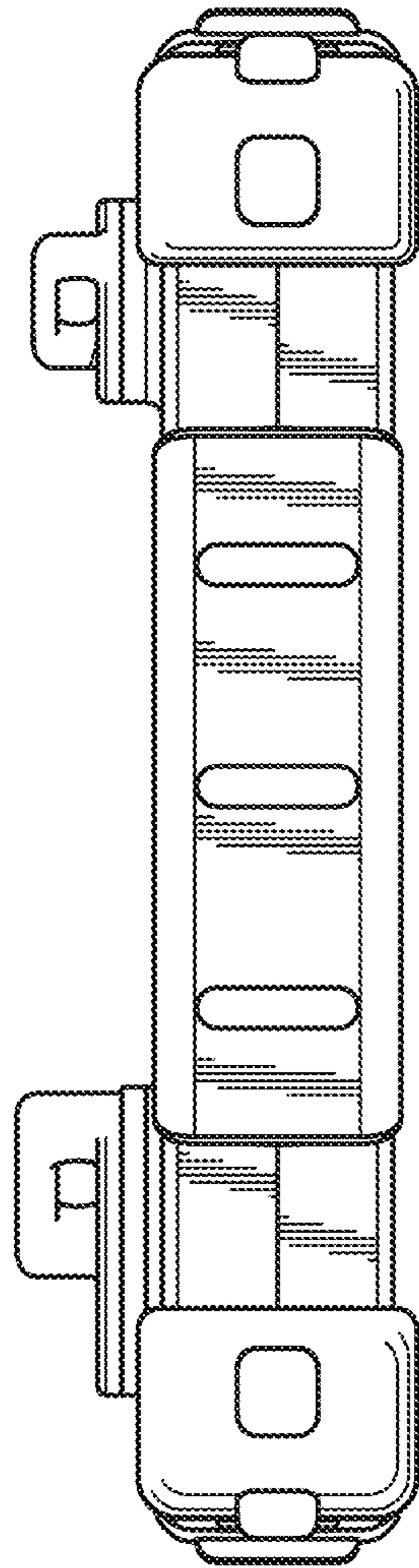


Figure 4

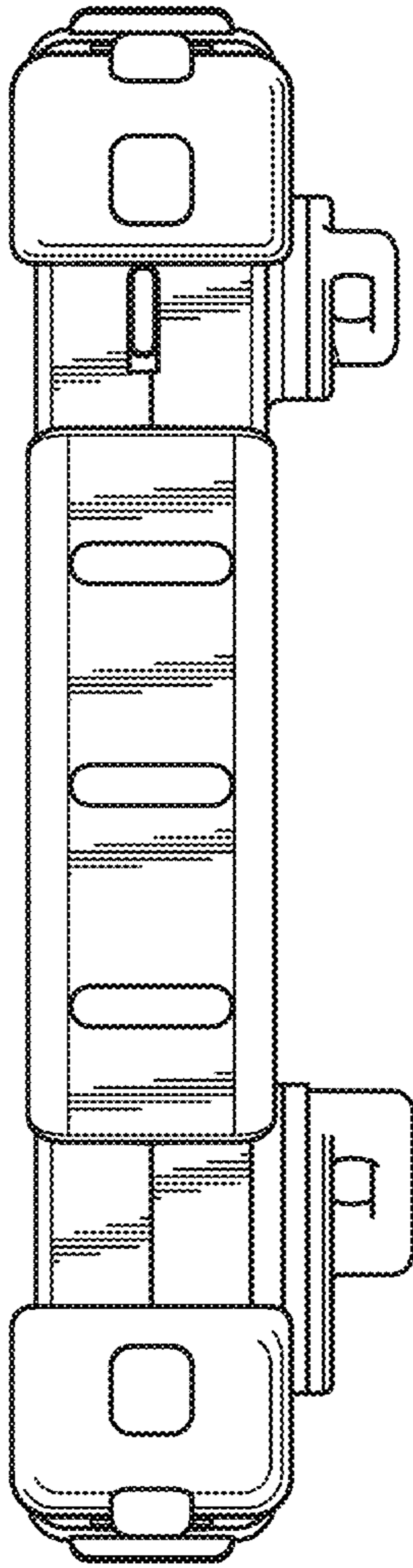


Figure 5

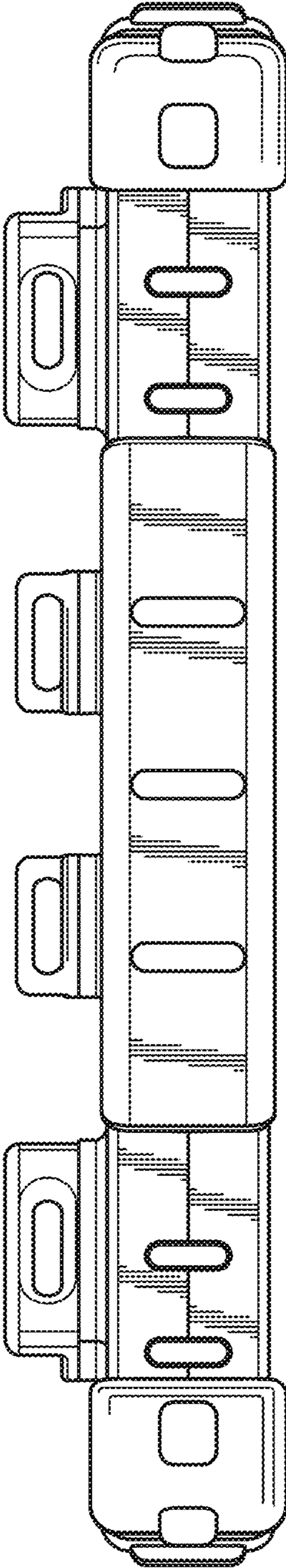


Figure 6



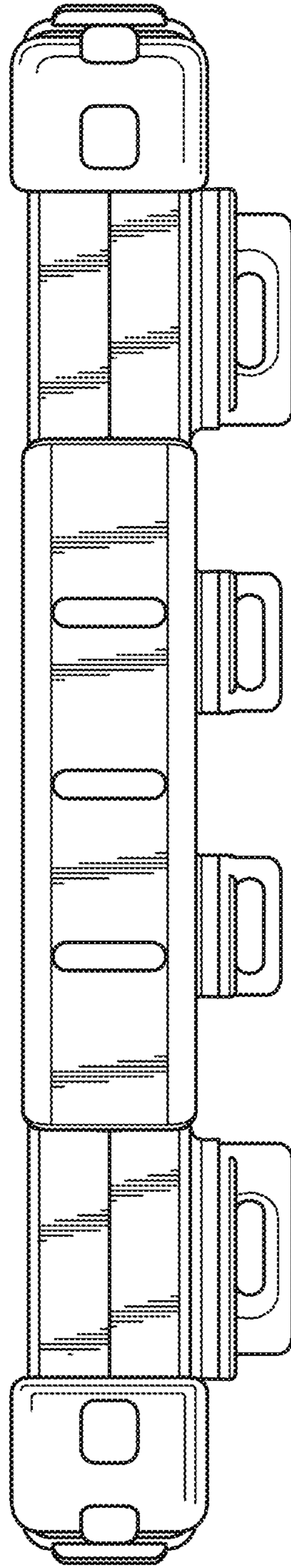


Figure 7

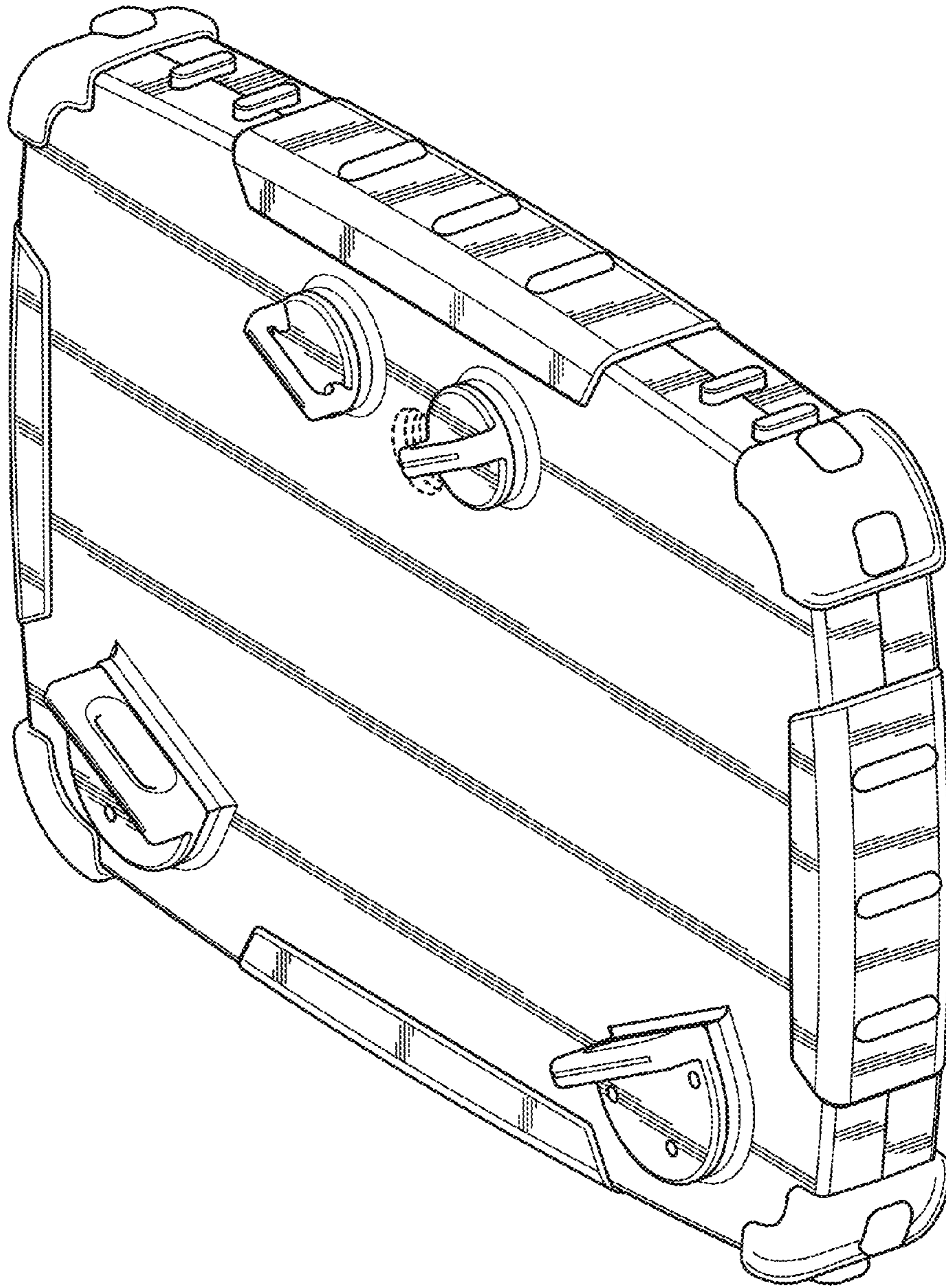


Figure 8

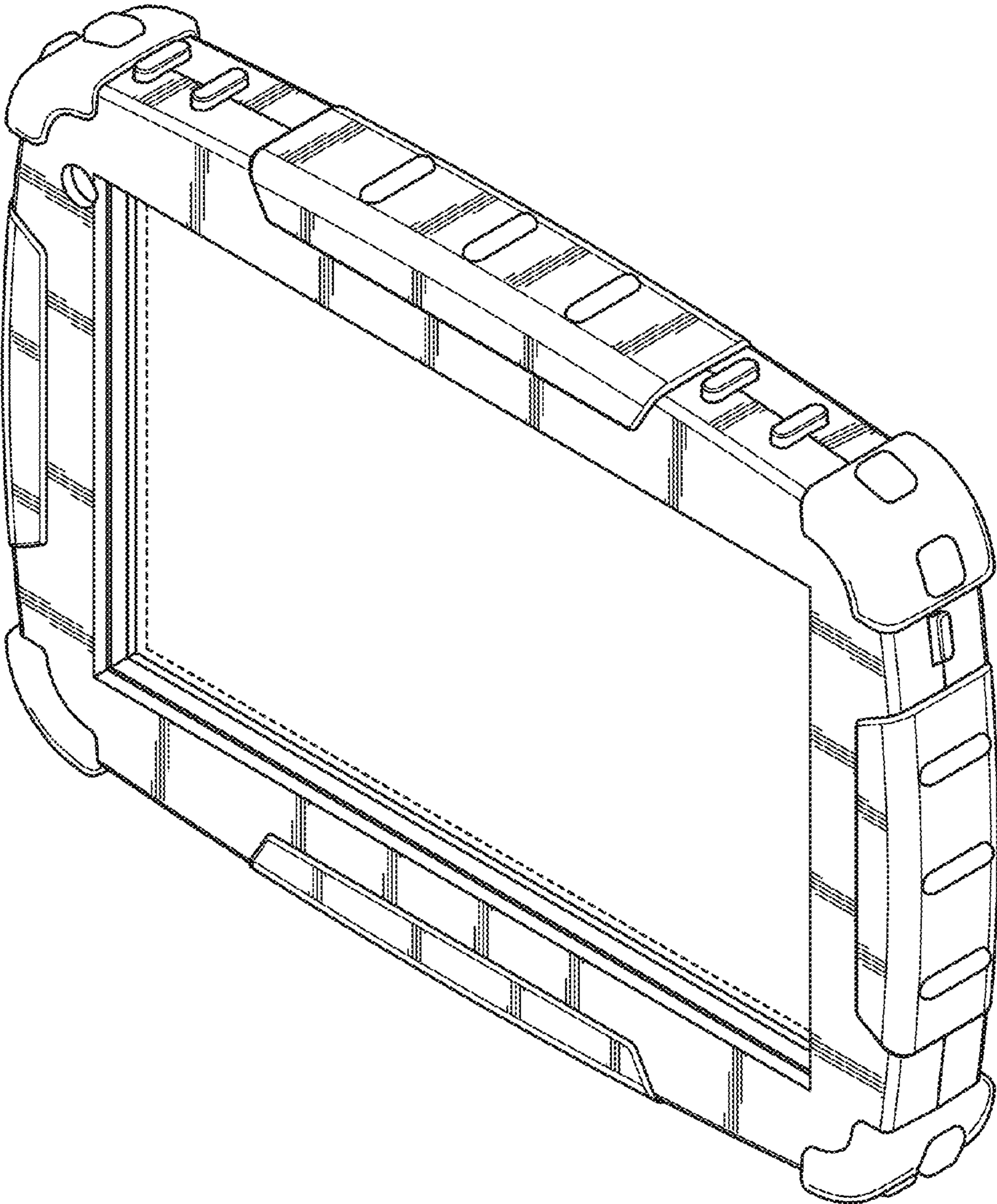


Figure 9



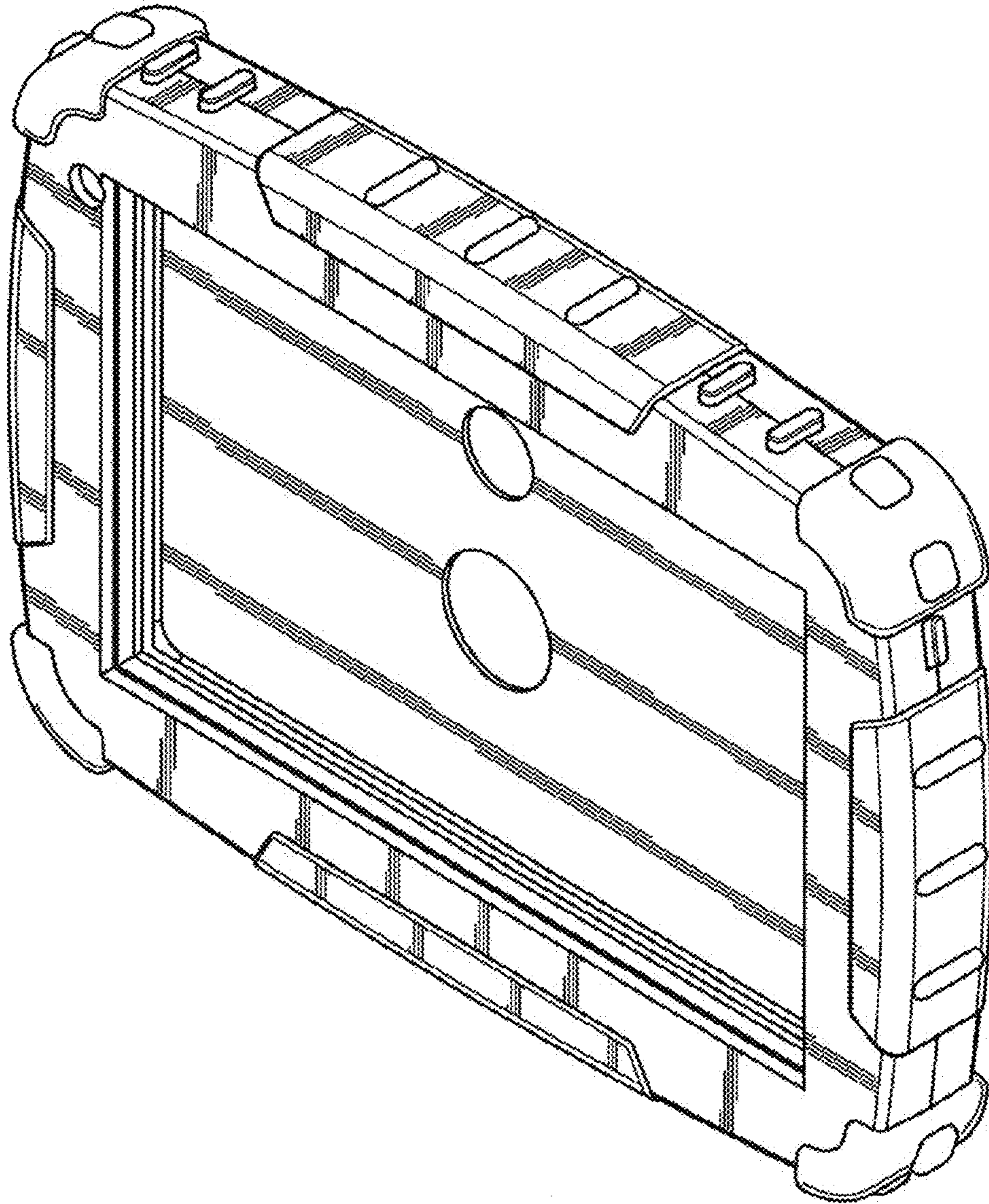


Figure 10



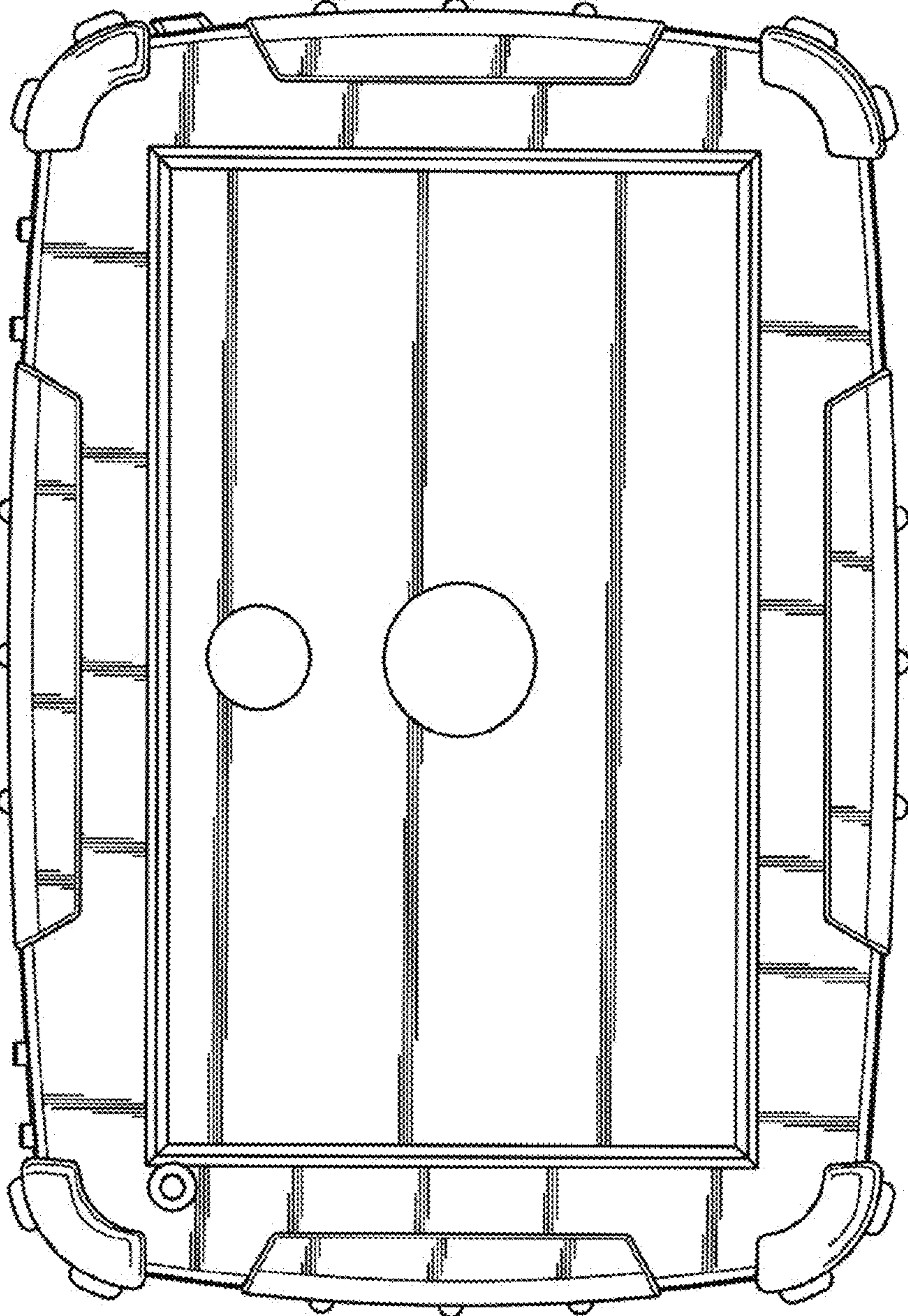


Figure 11

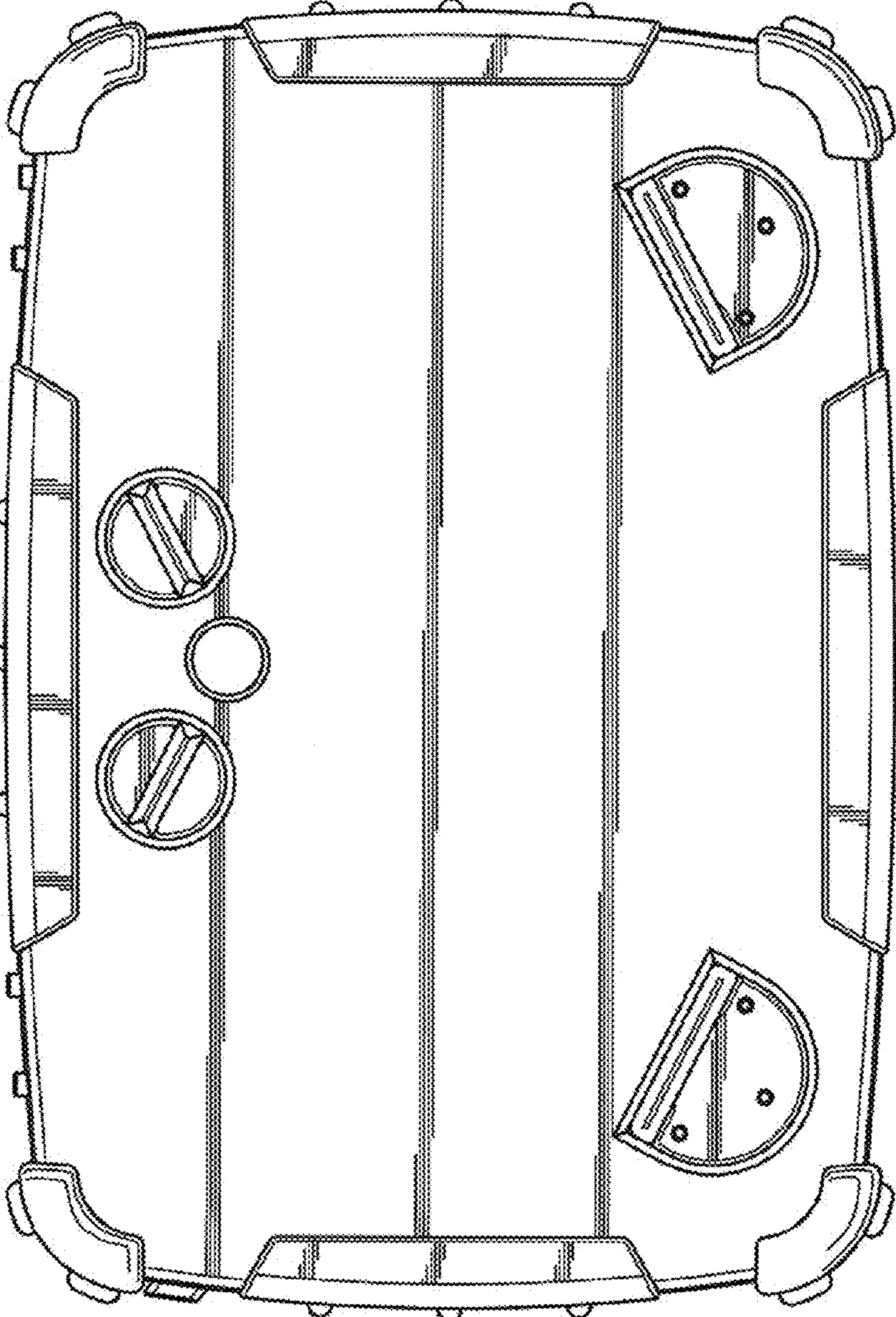


Figure 12

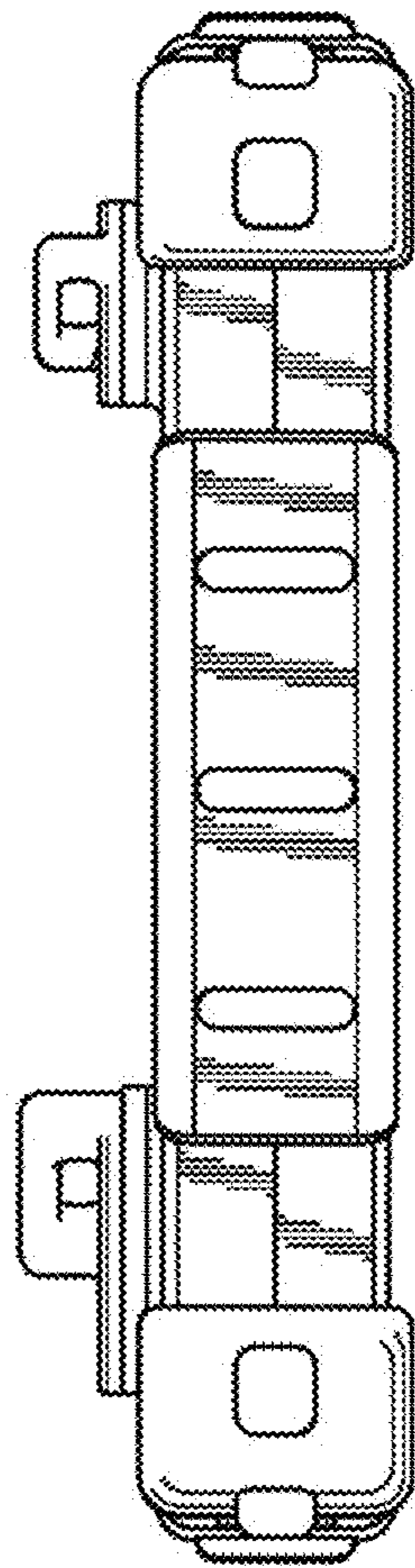


Figure 13



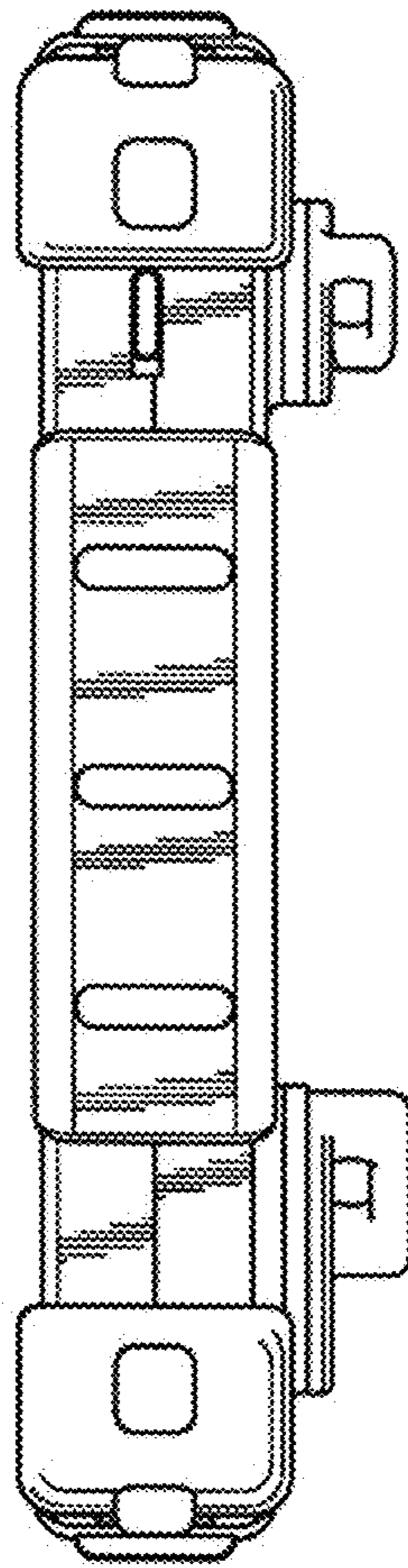


Figure 14



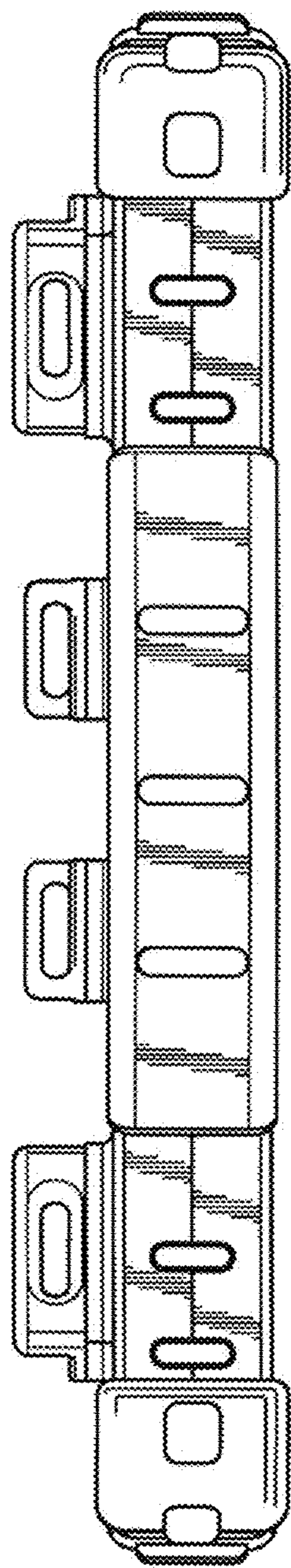


Figure 15

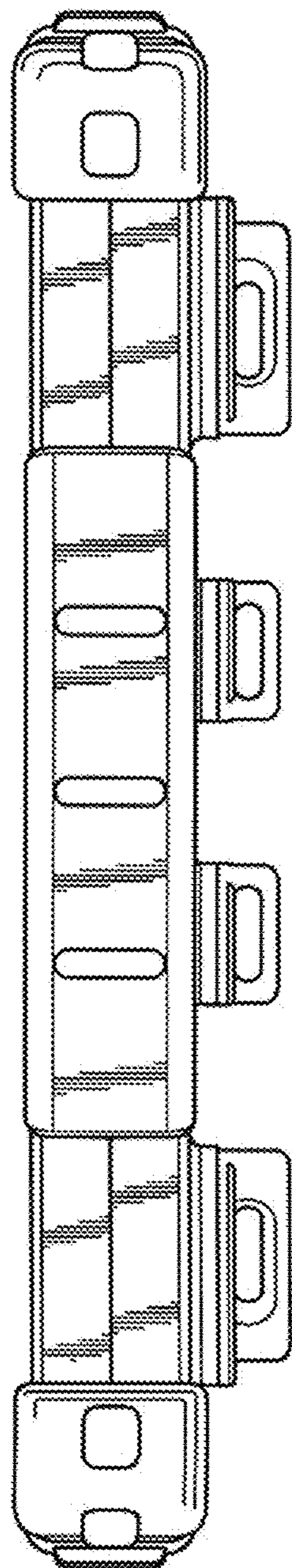


Figure 16

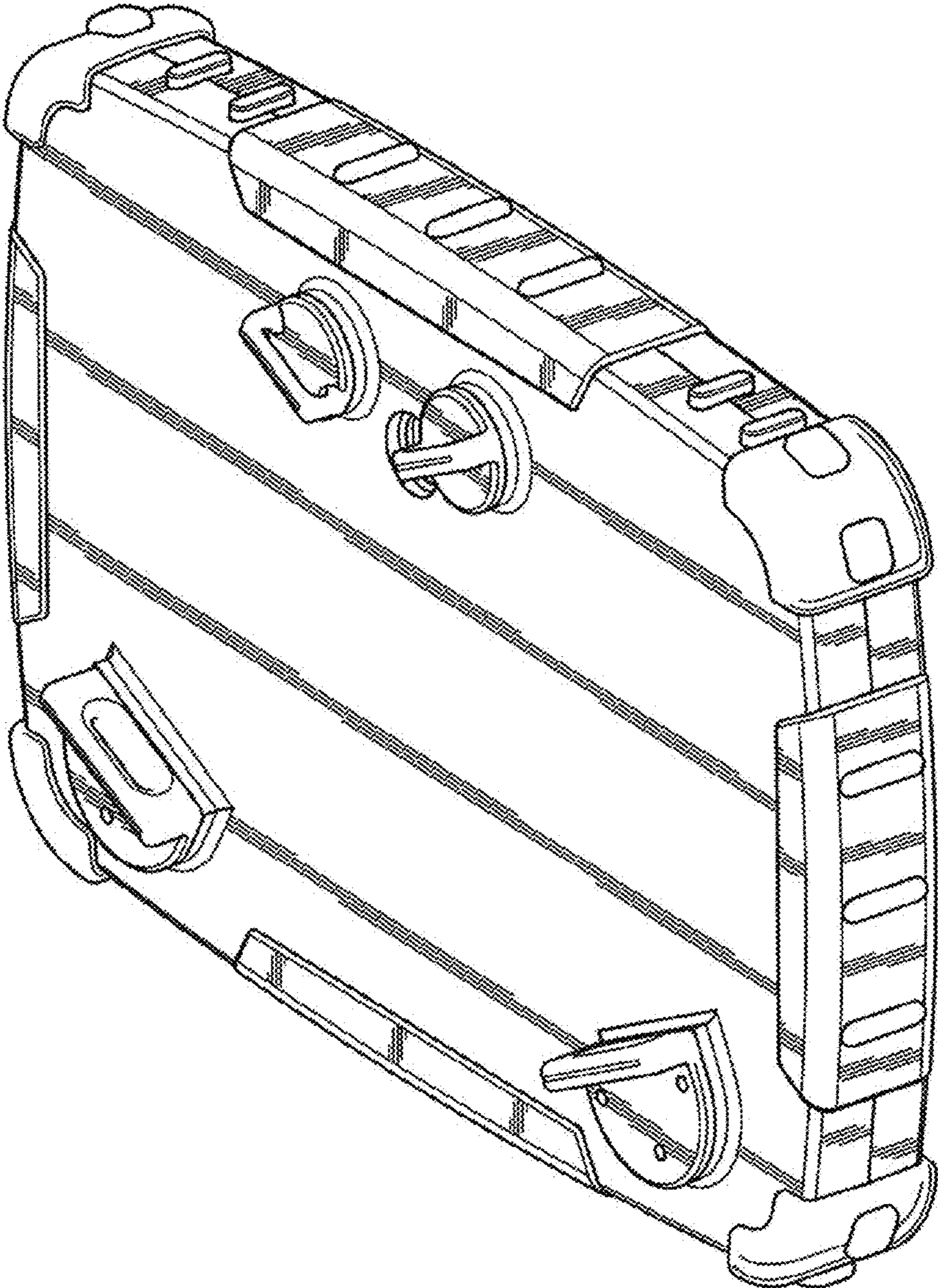


Figure 17