



US00D703209S

(12) **United States Design Patent**
Marcus

(10) **Patent No.:** **US D703,209 S**

(45) **Date of Patent:** **** Apr. 22, 2014**

(54) **CASE ASSEMBLY FOR PORTABLE DEVICE**

(75) **Inventor:** **Solomon Marcus, Taipei (TW)**

(73) **Assignee:** **In2uit Inc. Ltd., Taipei (TW)**

(**) **Term:** **14 Years**

(21) **Appl. No.:** **29/426,175**

(22) **Filed:** **Jul. 2, 2012**

(51) **LOC (10) Cl.** **14-02**

(52) **U.S. Cl.**
USPC **D14/440**

(58) **Field of Classification Search**
USPC D14/250, 251, 253, 240, 217, 496, 440,
D14/203.3, 203.4, 203.5, 203.8, 341, 318;
D3/218, 215, 201, 294, 289, 900;
220/4.02; 248/309.1; 361/679.56;
379/426, 433.11, 455; 455/575.1,
455/575.8; 190/100; 206/305, 320;
D21/469

See application file for complete search history.

(56) **References Cited**

U.S. PATENT DOCUMENTS

1,370,279	A *	3/1921	Burzynski	211/43
2,726,835	A *	12/1955	Hummel	248/459
D230,376	S *	2/1974	Andrew	D19/91
4,318,527	A *	3/1982	Smith	248/459
D478,623	S *	8/2003	Wilburn	D19/26
7,318,521	B2 *	1/2008	Lau	206/45.24
D581,865	S *	12/2008	Koza	D13/102
D663,304	S *	7/2012	Akana et al.	D14/440

8,230,992	B2 *	7/2012	Law et al.	206/320
8,235,208	B2 *	8/2012	Sirichai et al.	206/320
8,245,843	B1 *	8/2012	Wu	206/320
D672,781	S *	12/2012	Lu	D14/440
D673,158	S *	12/2012	Yang et al.	D14/440
D679,279	S *	4/2013	Yang et al.	D14/440
2012/0211613	A1 *	8/2012	Yang et al.	248/174

* cited by examiner

Primary Examiner — Cynthia Underwood

(74) *Attorney, Agent, or Firm* — Bacon & Thomas, PLLC

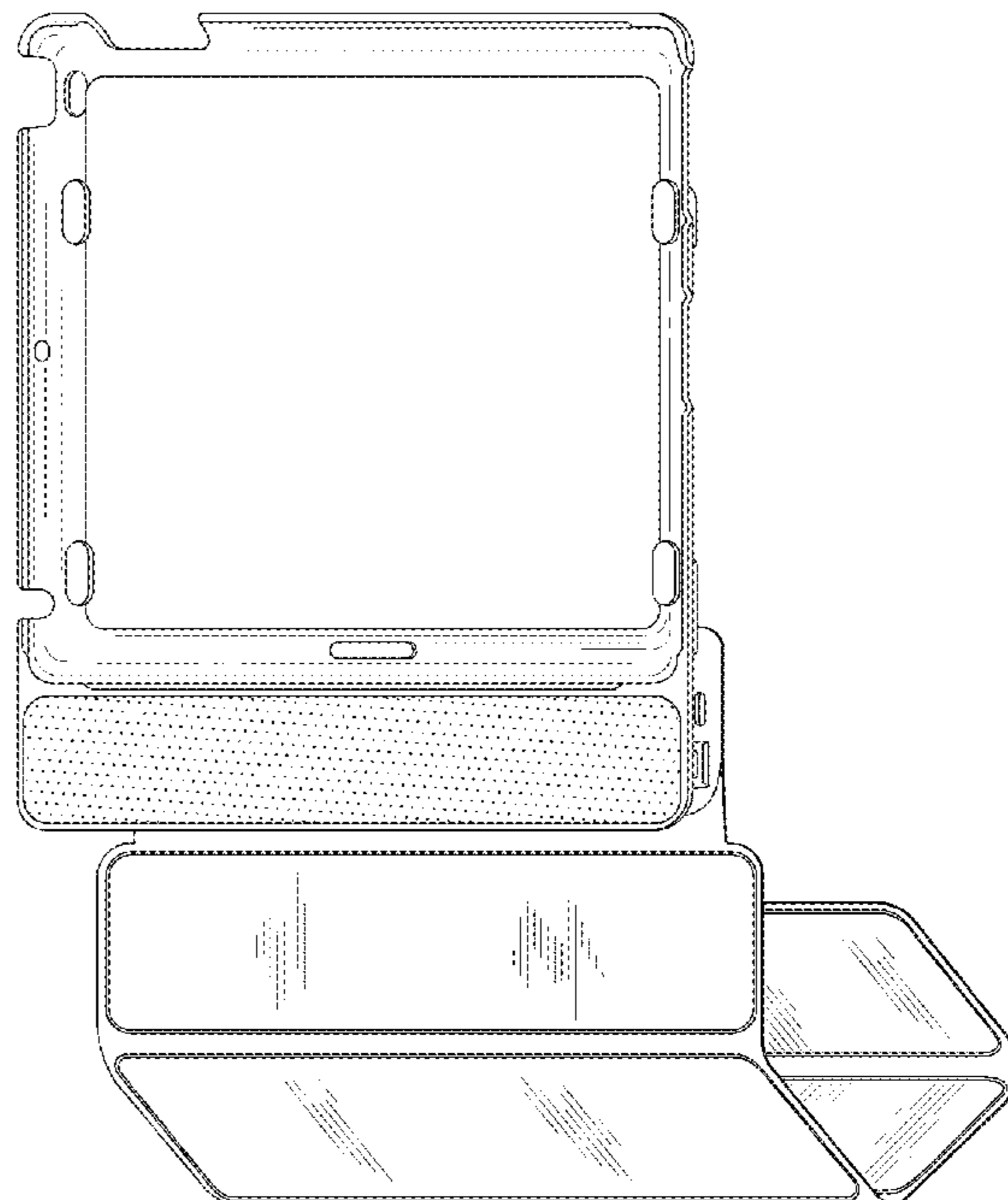
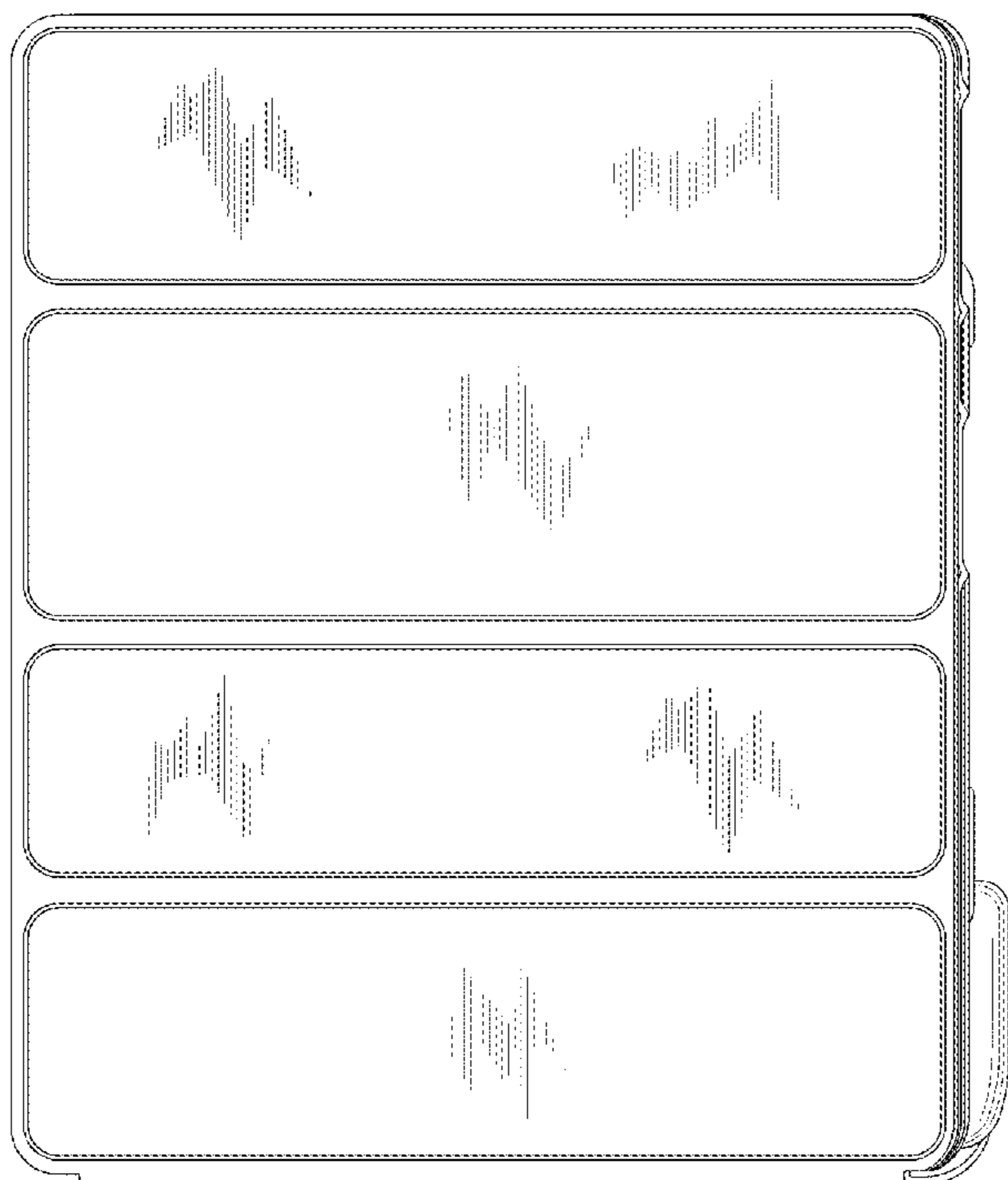
(57) **CLAIM**

The ornamental design for the case assembly for portable device, as shown and described.

DESCRIPTION

FIG. 1 is a perspective view of a case assembly for portable device showing my new design;
 FIG. 2 is a front elevational view thereof;
 FIG. 3 is a rear elevational view thereof;
 FIG. 4 is a left side elevational view thereof;
 FIG. 5 is a right side elevational view thereof;
 FIG. 6 is a top plan view thereof;
 FIG. 7 is a bottom plan view thereof;
 FIG. 8 is another perspective view thereof, with the cover in an open position; and,
 FIG. 9 is another perspective view thereof, with the slim speaker portion of the case assembly for portable device in an open position.
 The broken lines shown in the FIG. 9 are for illustrative purposes only and form no part of the claimed design.

1 Claim, 7 Drawing Sheets



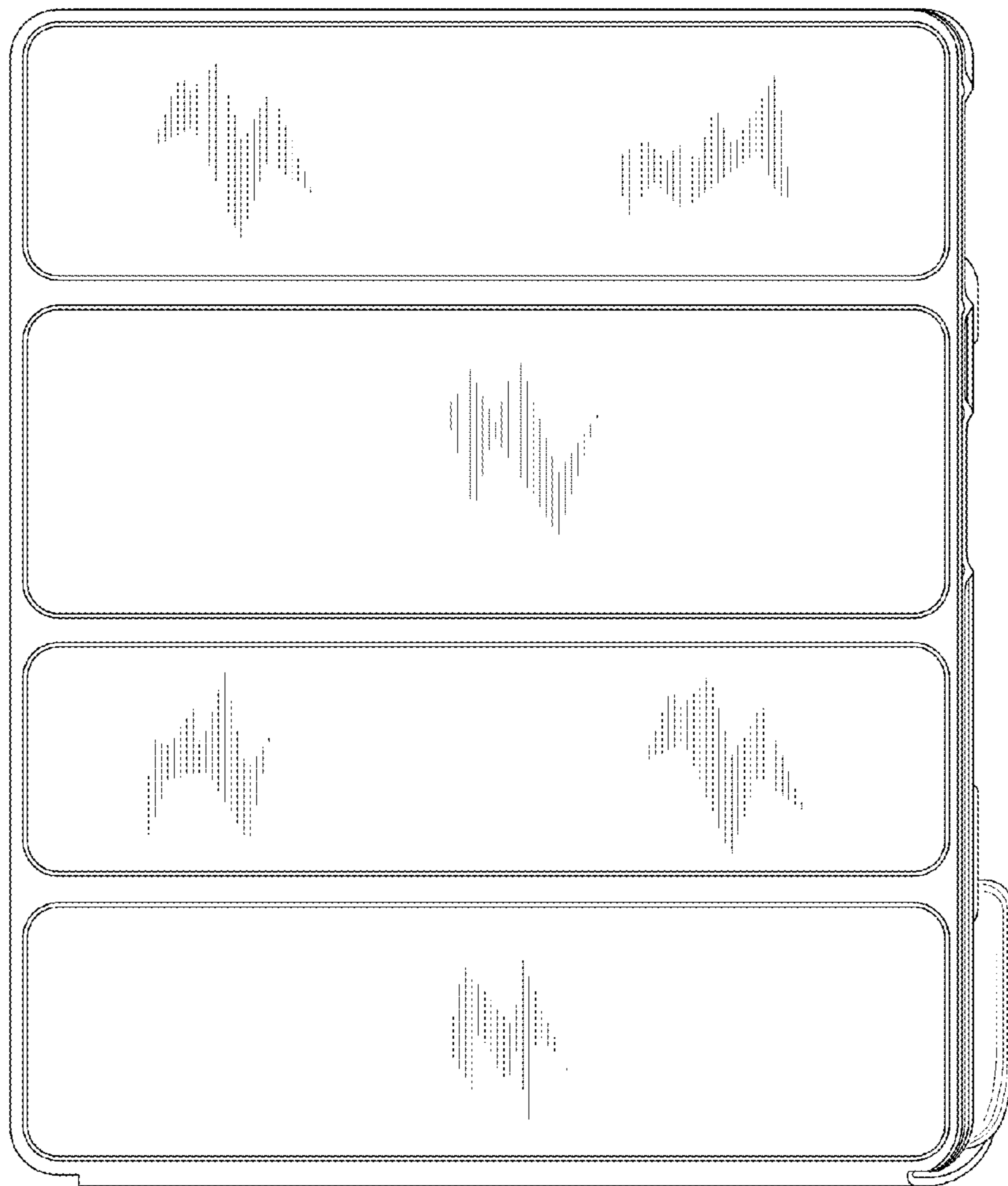


FIG. 1

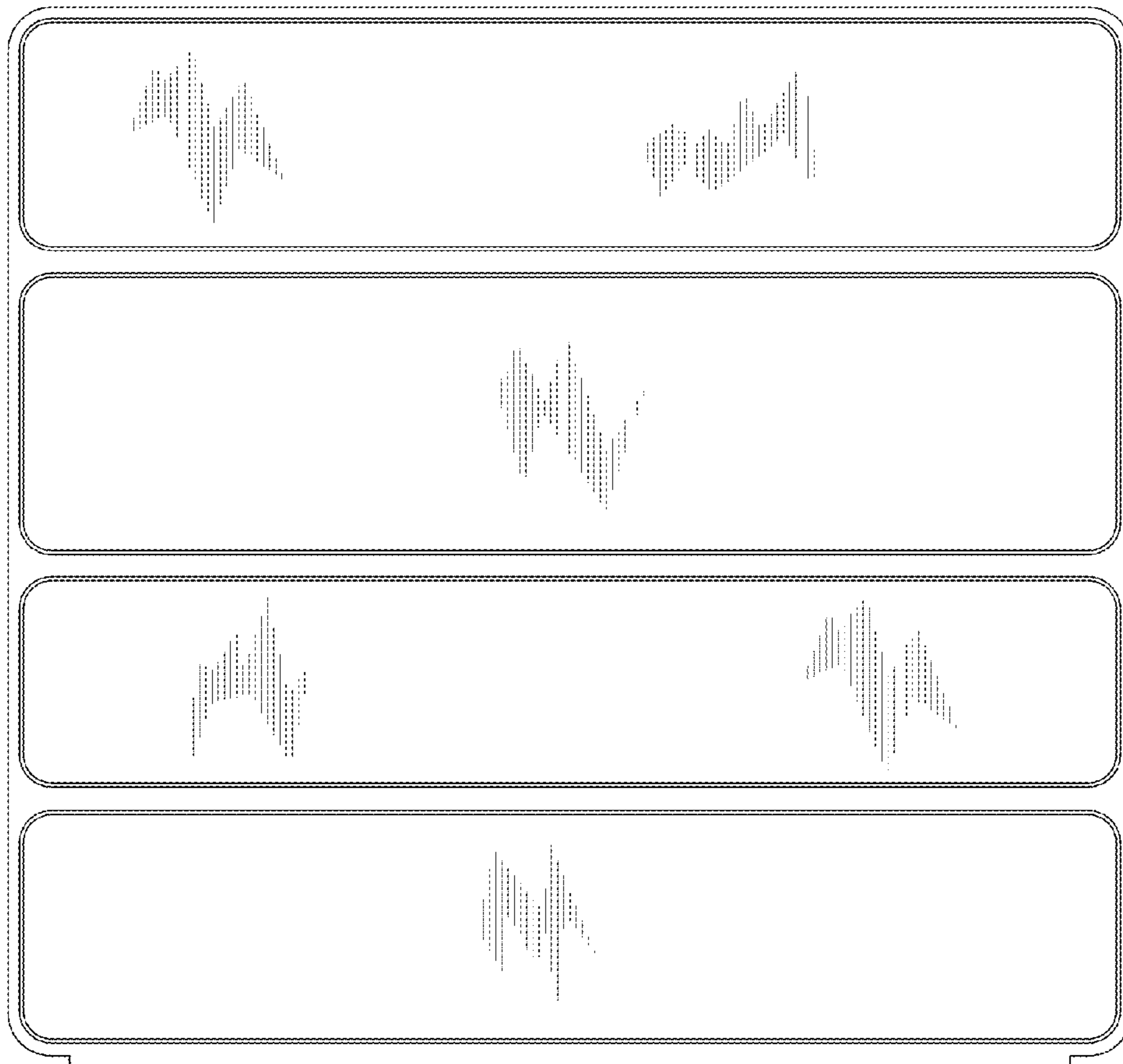


FIG. 2

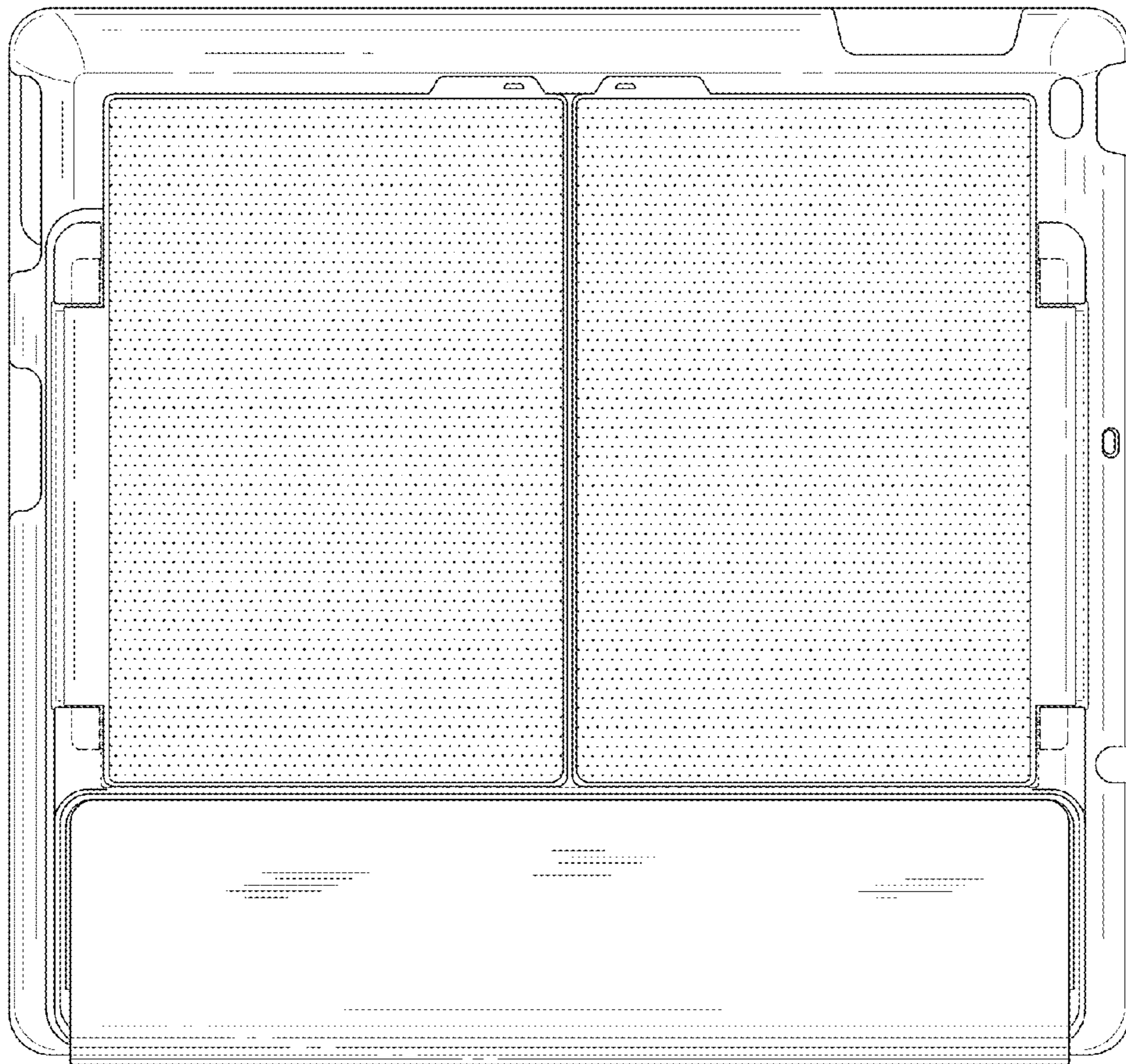


FIG. 3

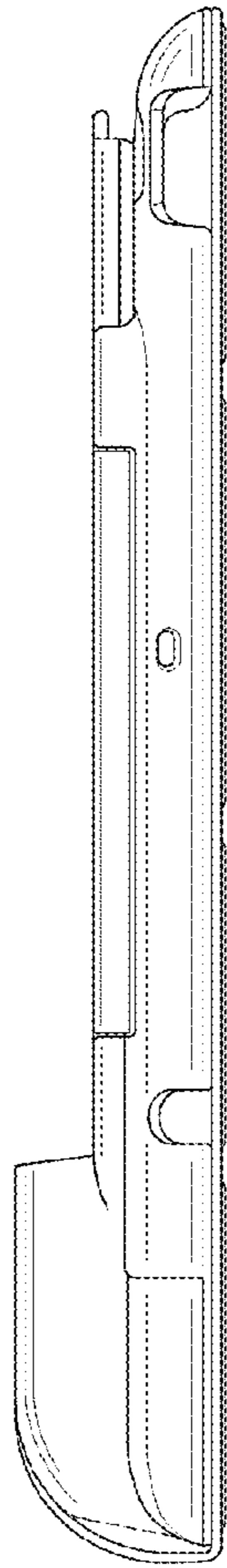


FIG. 4

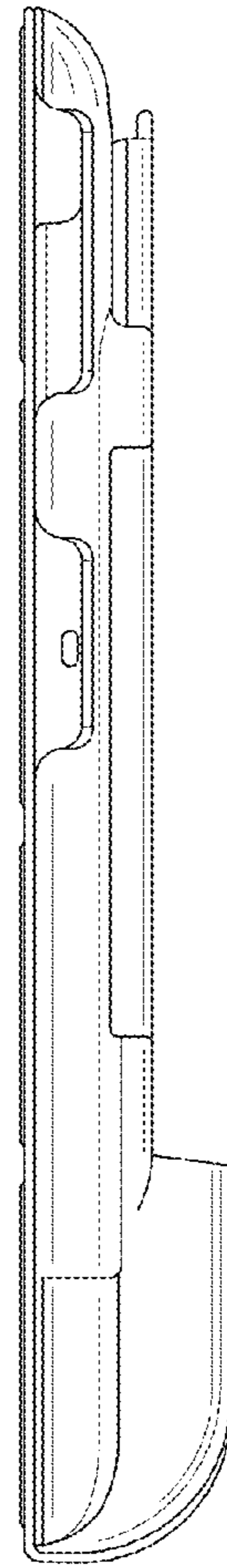


FIG. 5

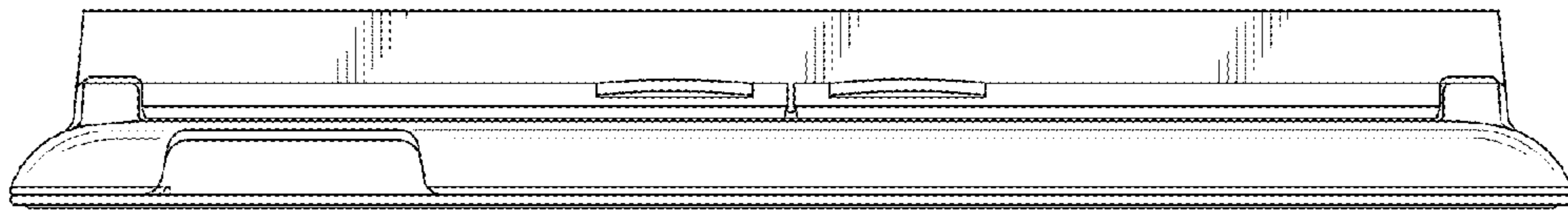


FIG. 6

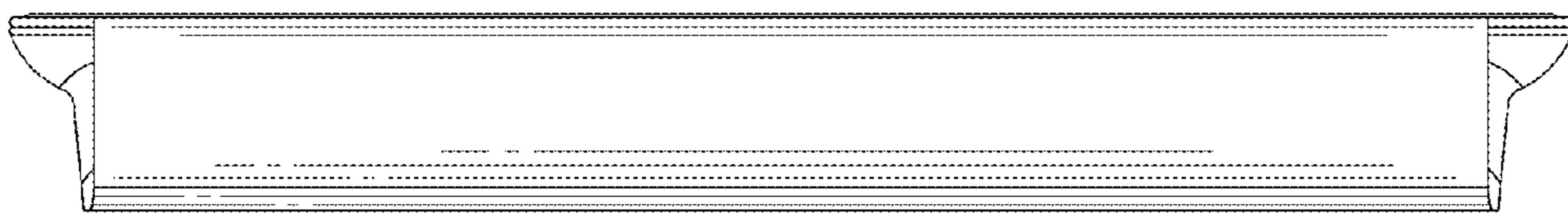


FIG. 7

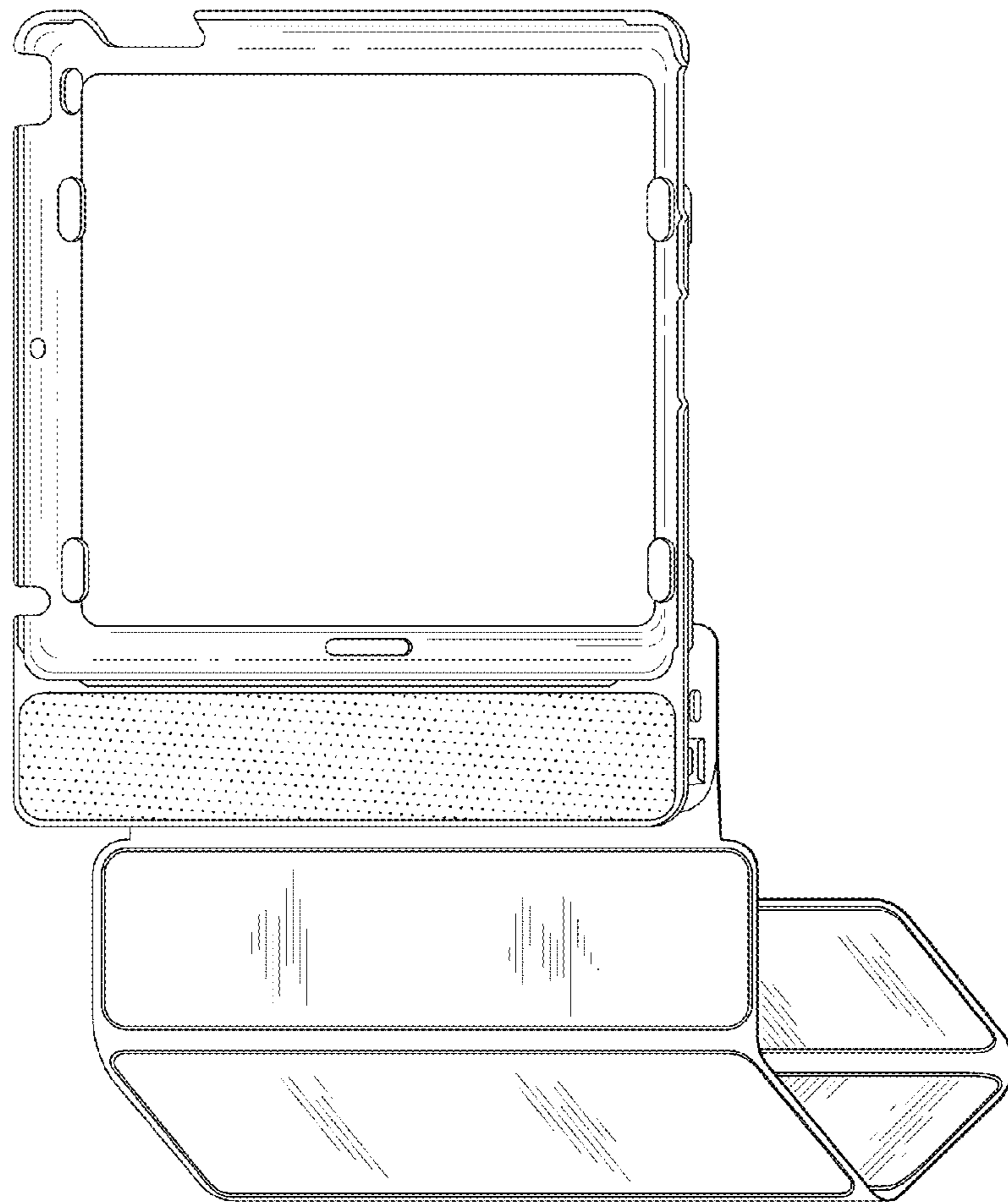


FIG. 8

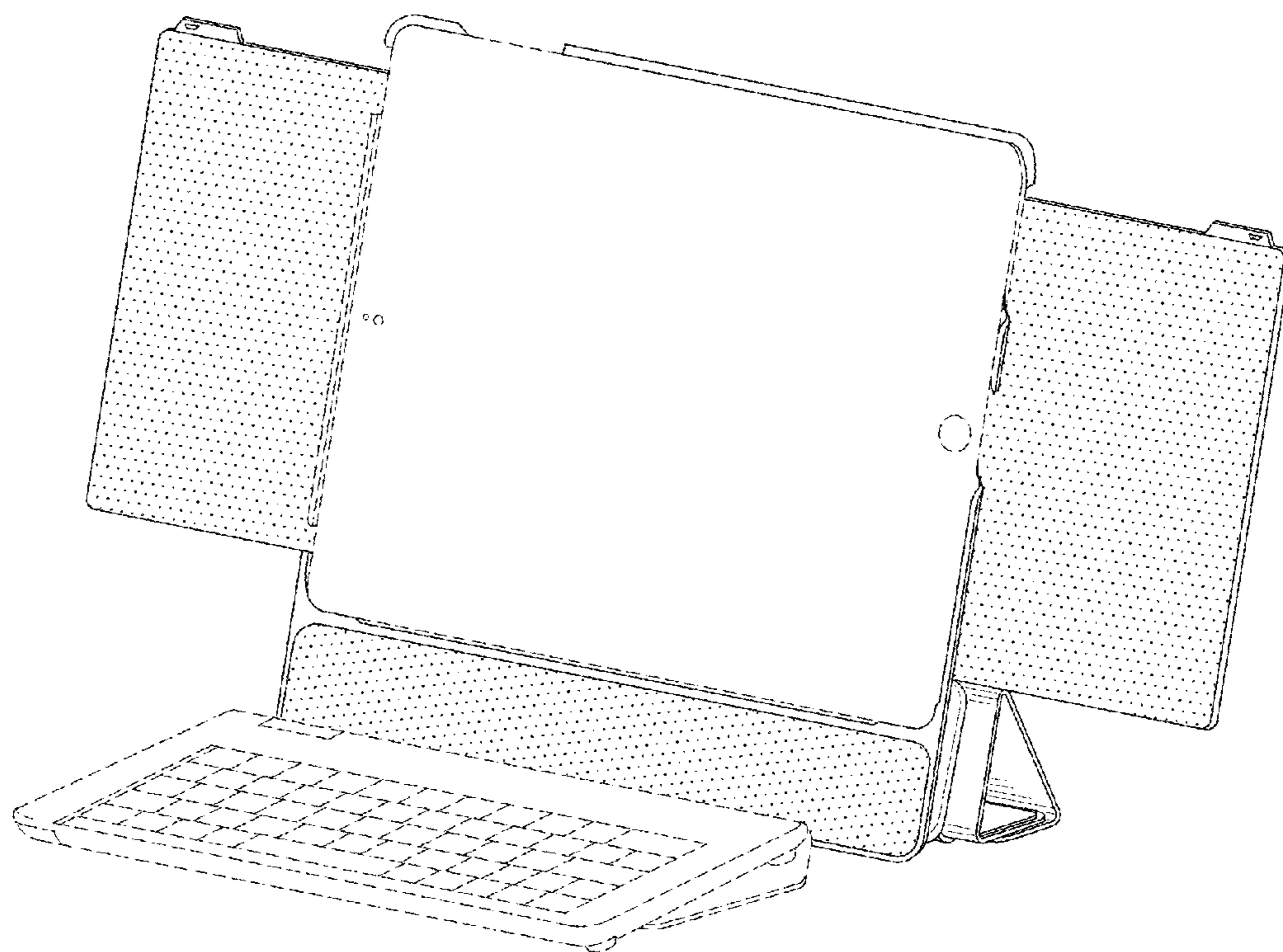


FIG. 9