



US00D703205S

(12) **United States Design Patent**  
**Tamura et al.**

(10) **Patent No.:** **US D703,205 S**  
(45) **Date of Patent:** **\*\* Apr. 22, 2014**

(54) **BIOMETRICS AUTHENTICATION DEVICE**

(75) Inventors: **Takeo Tamura**, Tokyo (JP); **Takeshi Hayakawa**, Tokyo (JP)

(73) Assignee: **NEC Corporation**, Tokyo (JP)

(\*\*) Term: **14 Years**

(21) Appl. No.: **29/401,027**

(22) Filed: **Sep. 6, 2011**

(30) **Foreign Application Priority Data**

May 11, 2011 (JP) ..... 2011-010541

(51) **LOC (10) Cl.** ..... **14-02**

(52) **U.S. Cl.**  
USPC ..... **D14/383**

(58) **Field of Classification Search**

USPC ..... D14/383, 384; D24/200, 133, 144, 170,  
D24/185, 186, 215, 214, 209, 206; 606/2,  
606/32, 89, 9; 607/2, 96, 98, 99, 108, 115,  
607/145, 148, 149, 150; 601/1, 15-22, 72,  
601/73, 123; 382/115, 184; 340/5.53, 5.83

See application file for complete search history.

(56) **References Cited**

**U.S. PATENT DOCUMENTS**

D367,270 S \* 2/1996 Levering ..... D14/384  
6,041,134 A \* 3/2000 Merjanian ..... 382/115

D425,881 S \* 5/2000 Borza ..... D14/384  
D469,761 S \* 2/2003 Nussberger ..... D14/383  
D487,266 S \* 3/2004 Morimiya ..... D14/384  
D511,008 S \* 10/2005 Ryan ..... D24/200  
D518,050 S \* 3/2006 Wood et al. .... D14/384  
D522,510 S \* 6/2006 Su ..... D14/384  
D538,940 S \* 3/2007 Baldachini ..... D24/209  
D584,730 S \* 1/2009 Lin et al. .... D14/383  
D593,559 S \* 6/2009 Lin et al. .... D14/384  
D645,771 S \* 9/2011 Shin et al. .... D14/384  
8,300,903 B2 \* 10/2012 Higuchi ..... 382/115

\* cited by examiner

*Primary Examiner* — David Muller

(74) *Attorney, Agent, or Firm* — Sughrue Mion, PLLC

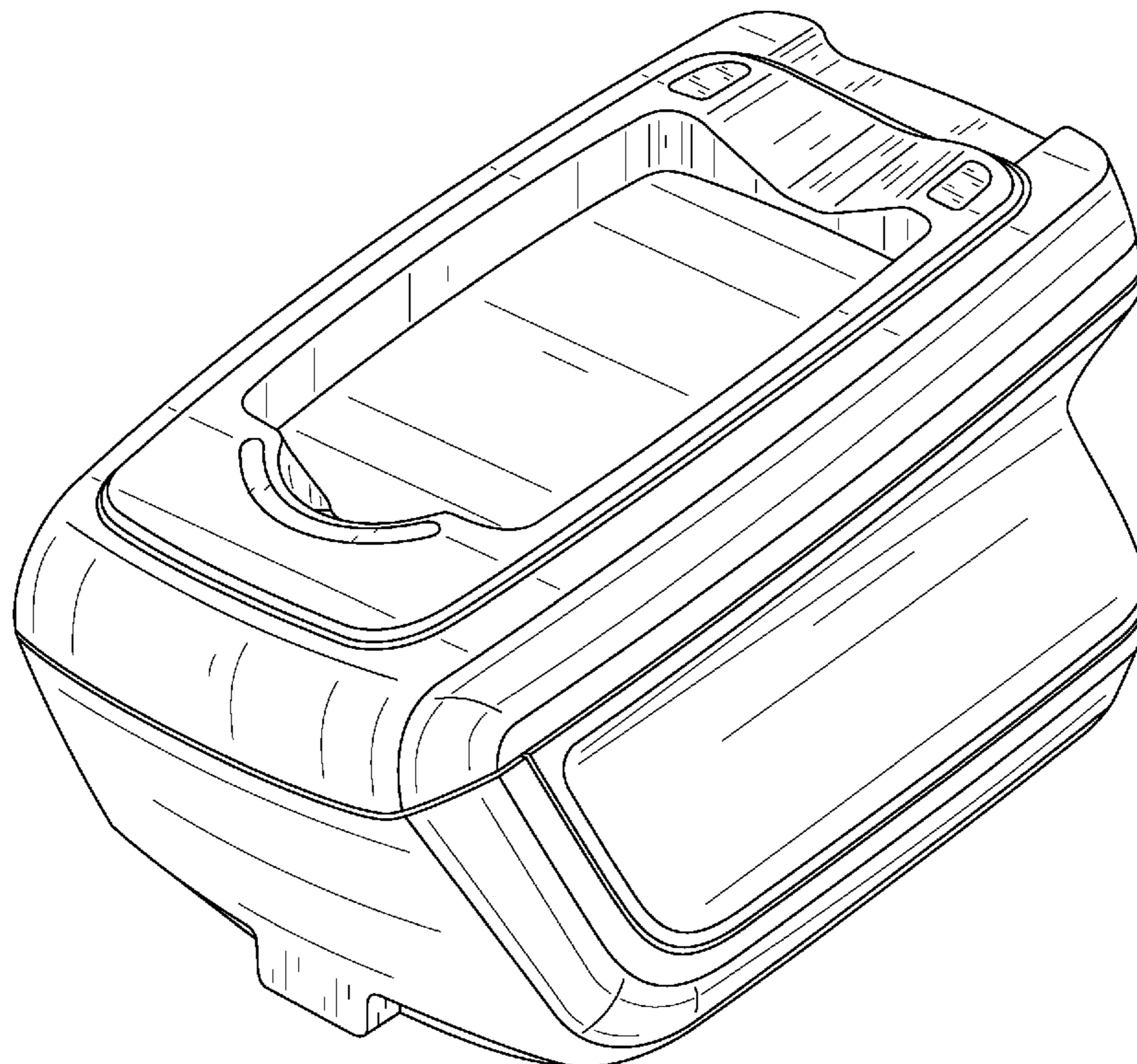
(57) **CLAIM**

The ornamental design for a a biometrics authentication device, as shown and described.

**DESCRIPTION**

FIG. 1 is a rear elevation view of the biometrics authentication device;  
FIG. 2 is a front elevation view thereof;  
FIG. 3 is a side elevation view thereof;  
FIG. 4 is an opposite side elevation view thereof;  
FIG. 5 is a top plan view thereof;  
FIG. 6 is a bottom plan view thereof;  
FIG. 7 is a top rear perspective view thereof;  
FIG. 8 is a bottom front perspective view thereof; and,  
FIG. 9 is a top front perspective view thereof.

**1 Claim, 9 Drawing Sheets**



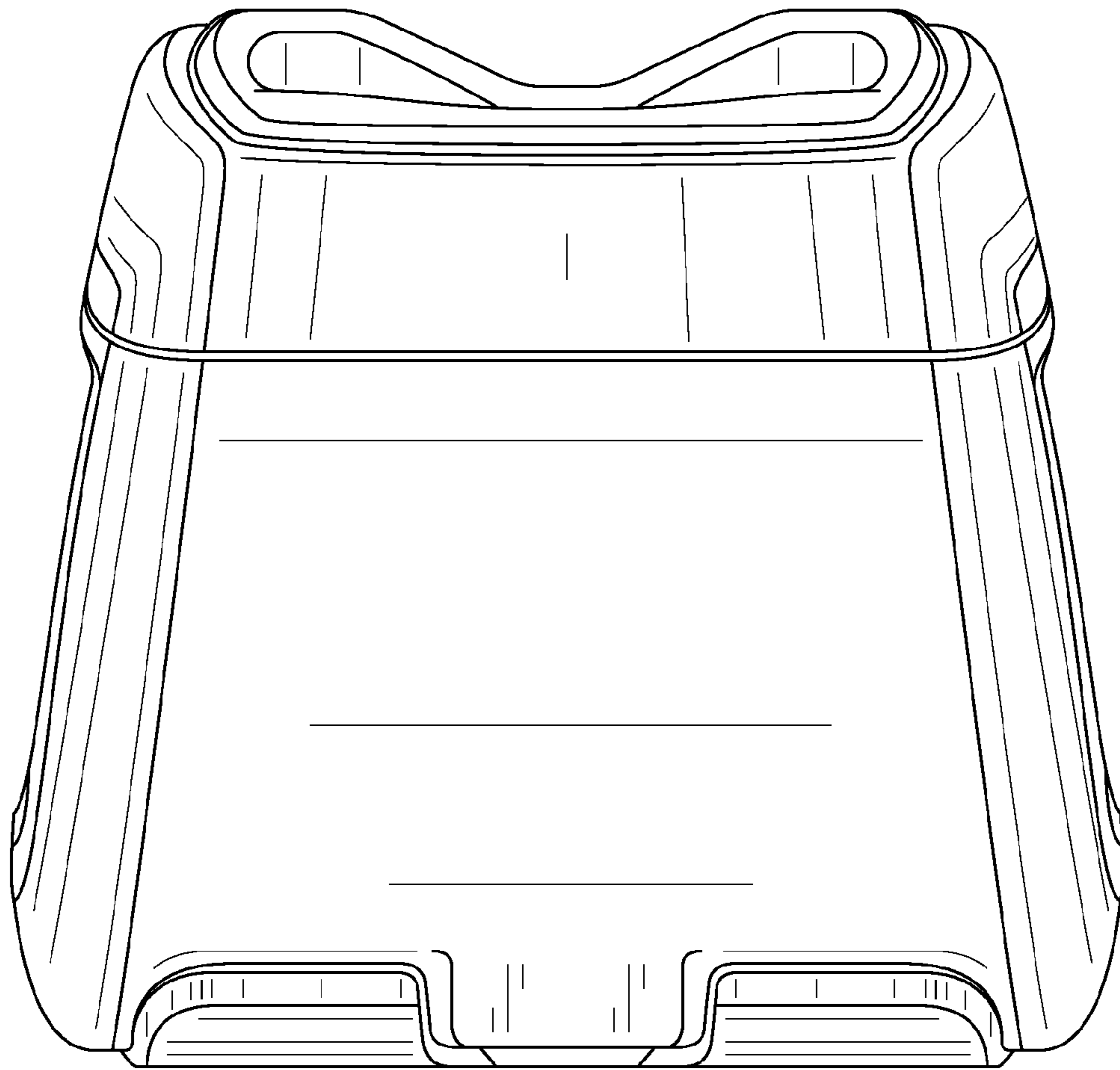


FIG. 1

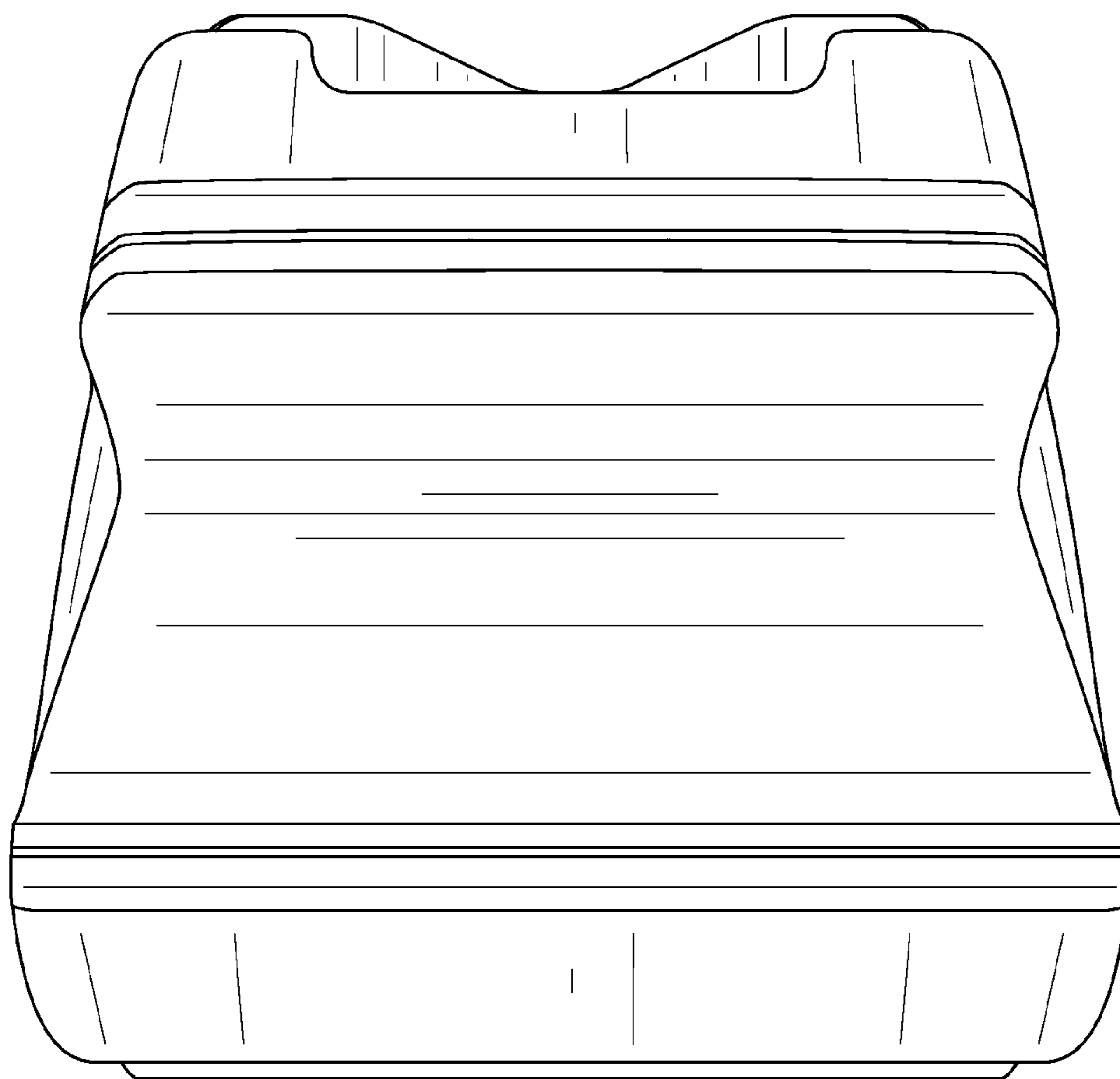


FIG. 2

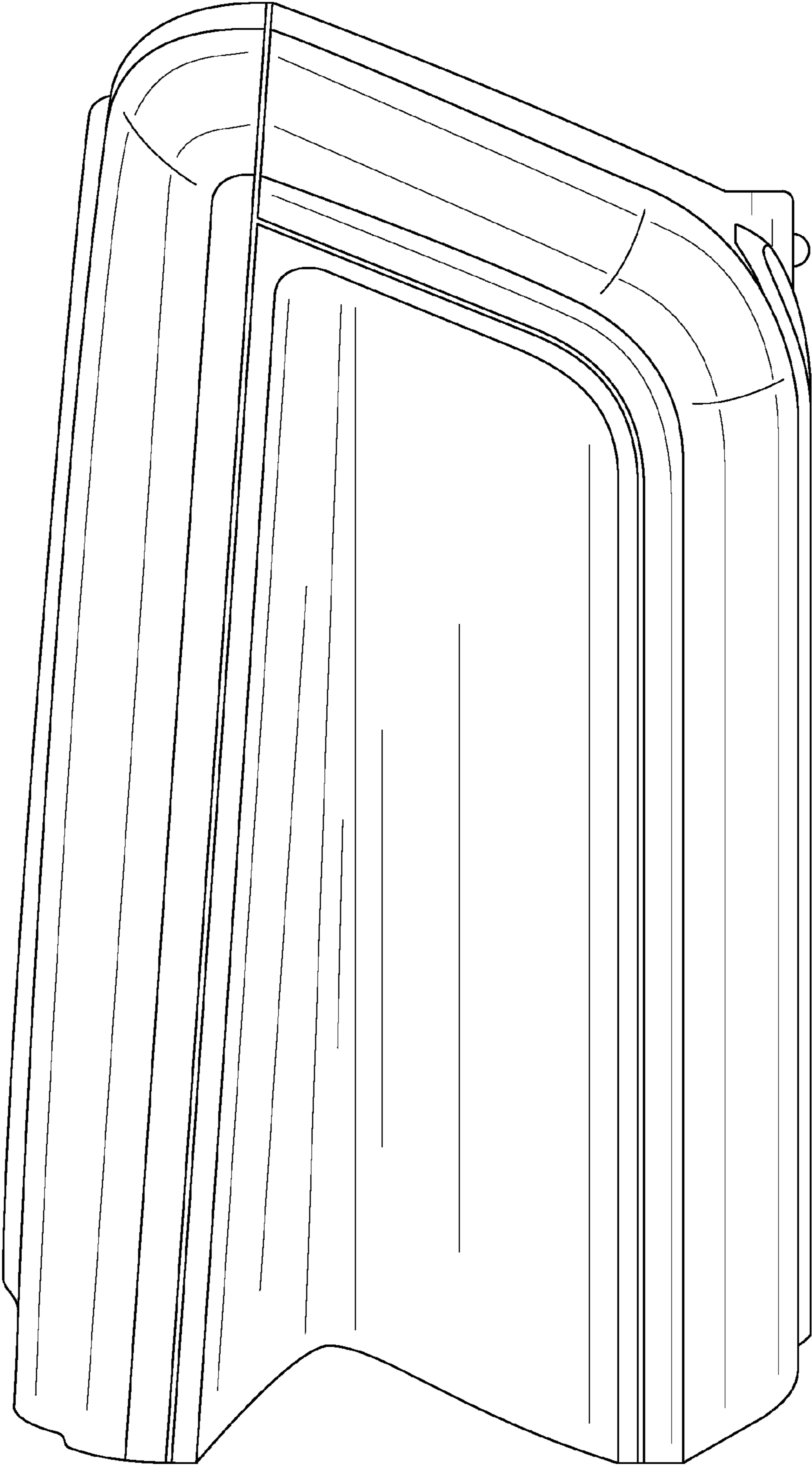


FIG. 3

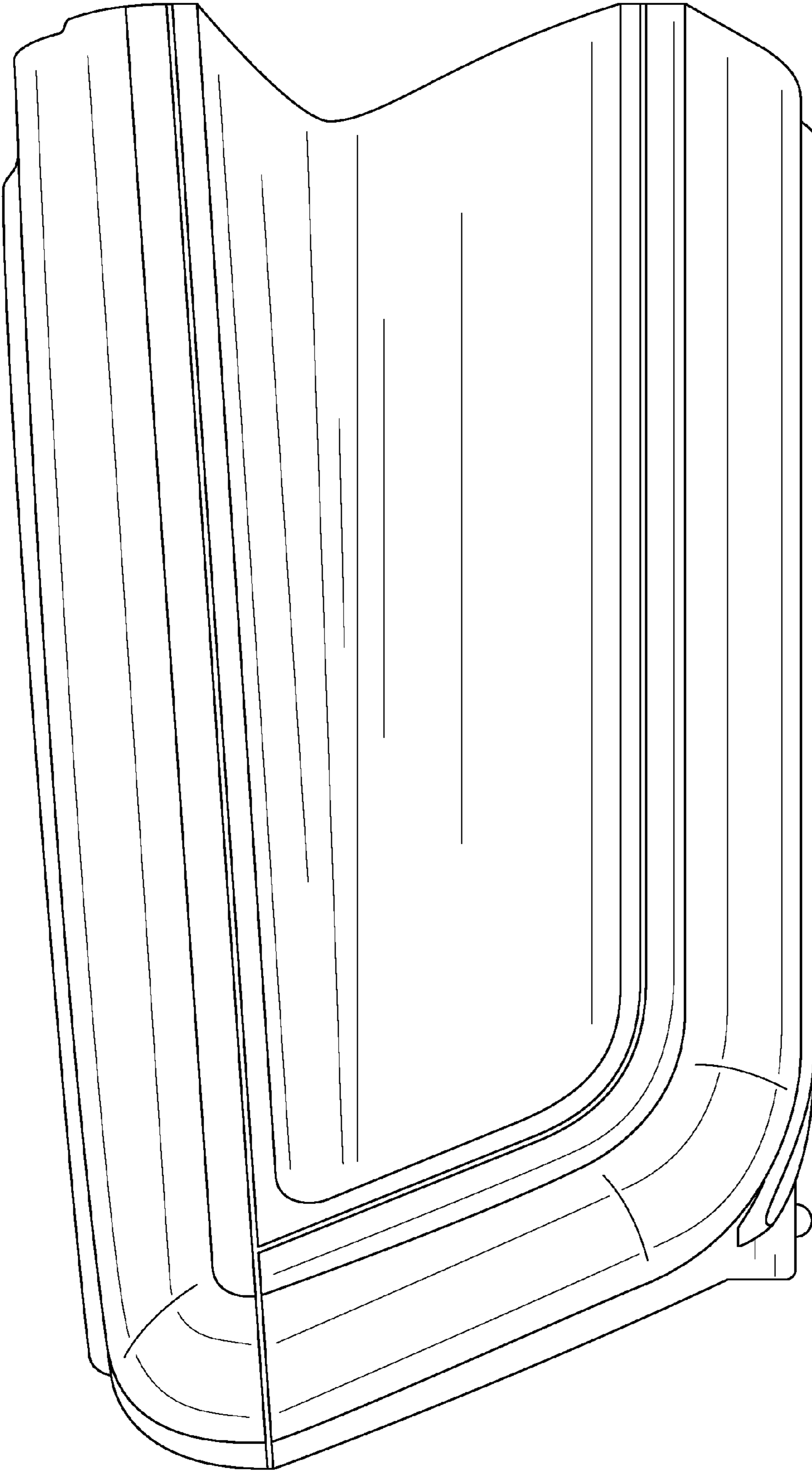


FIG. 4

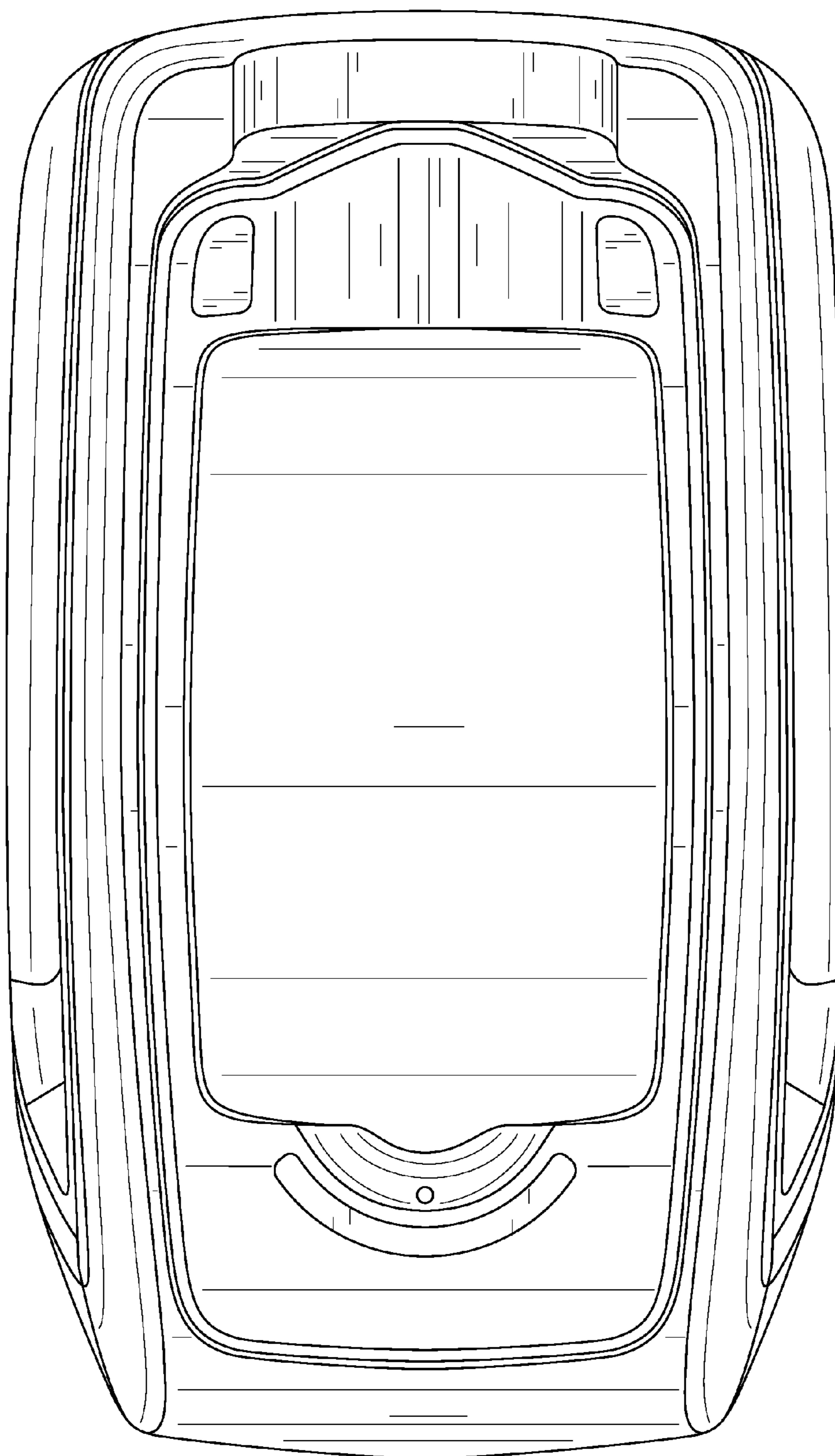


FIG. 5



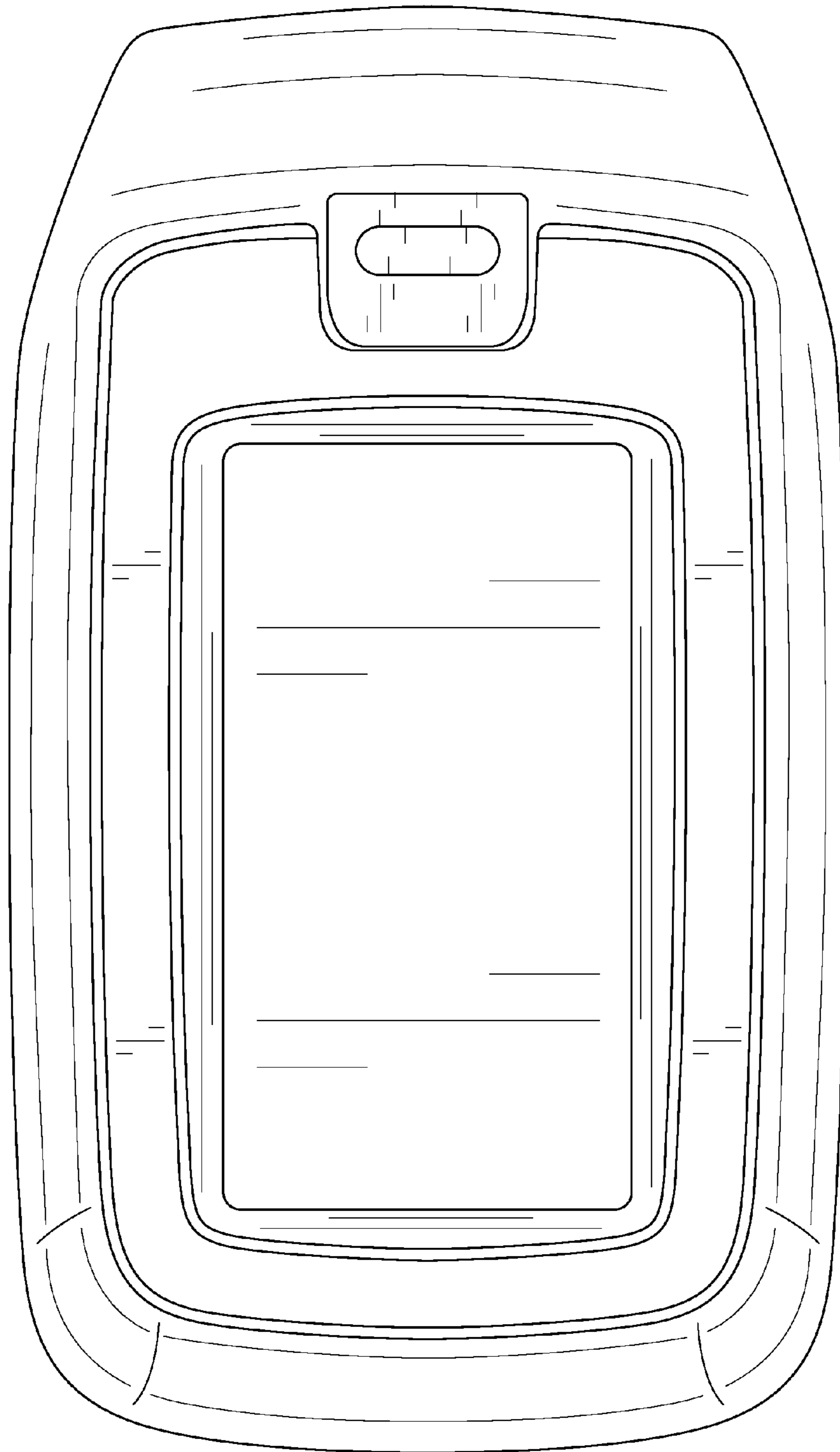


FIG. 6

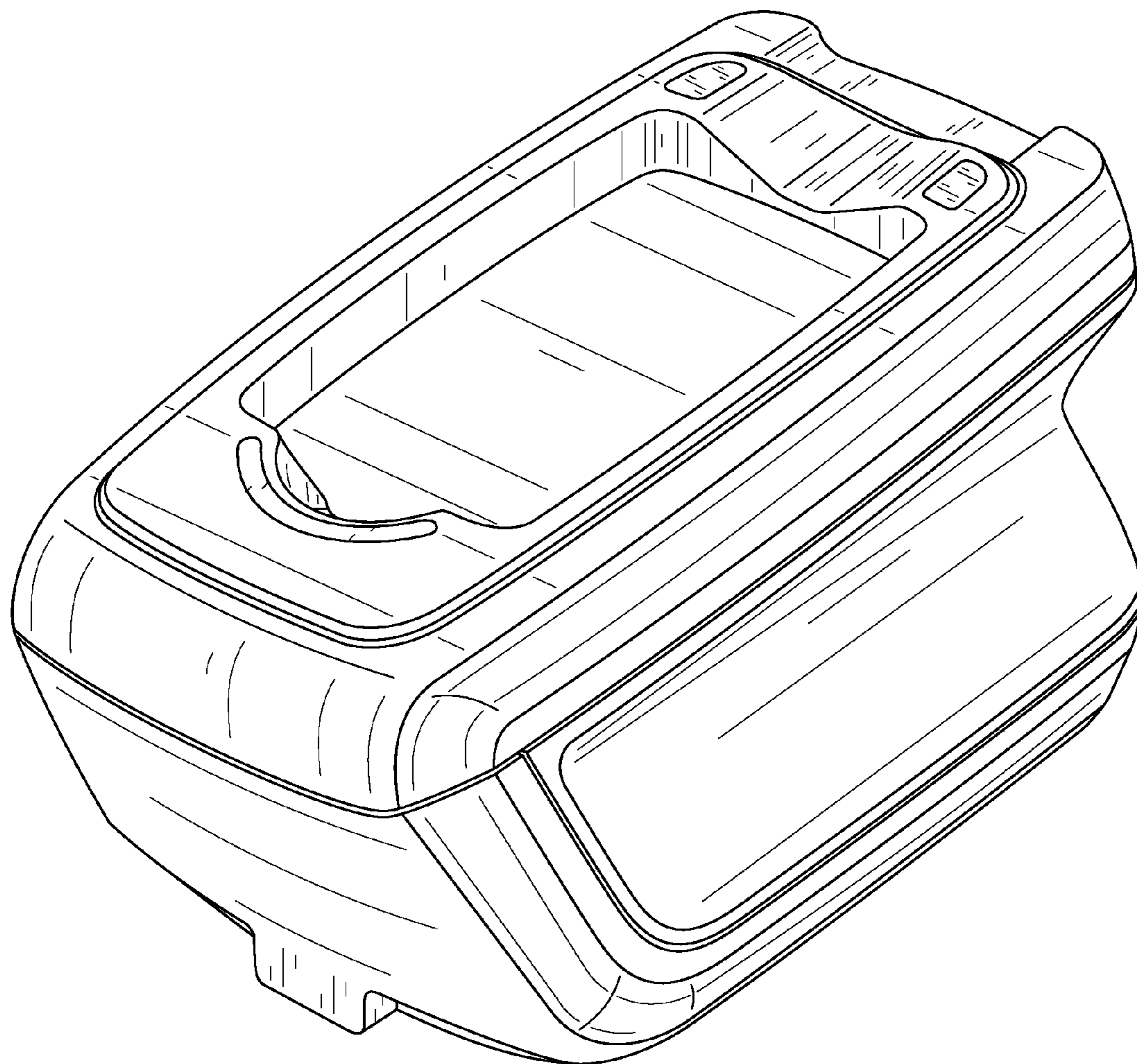


FIG. 7



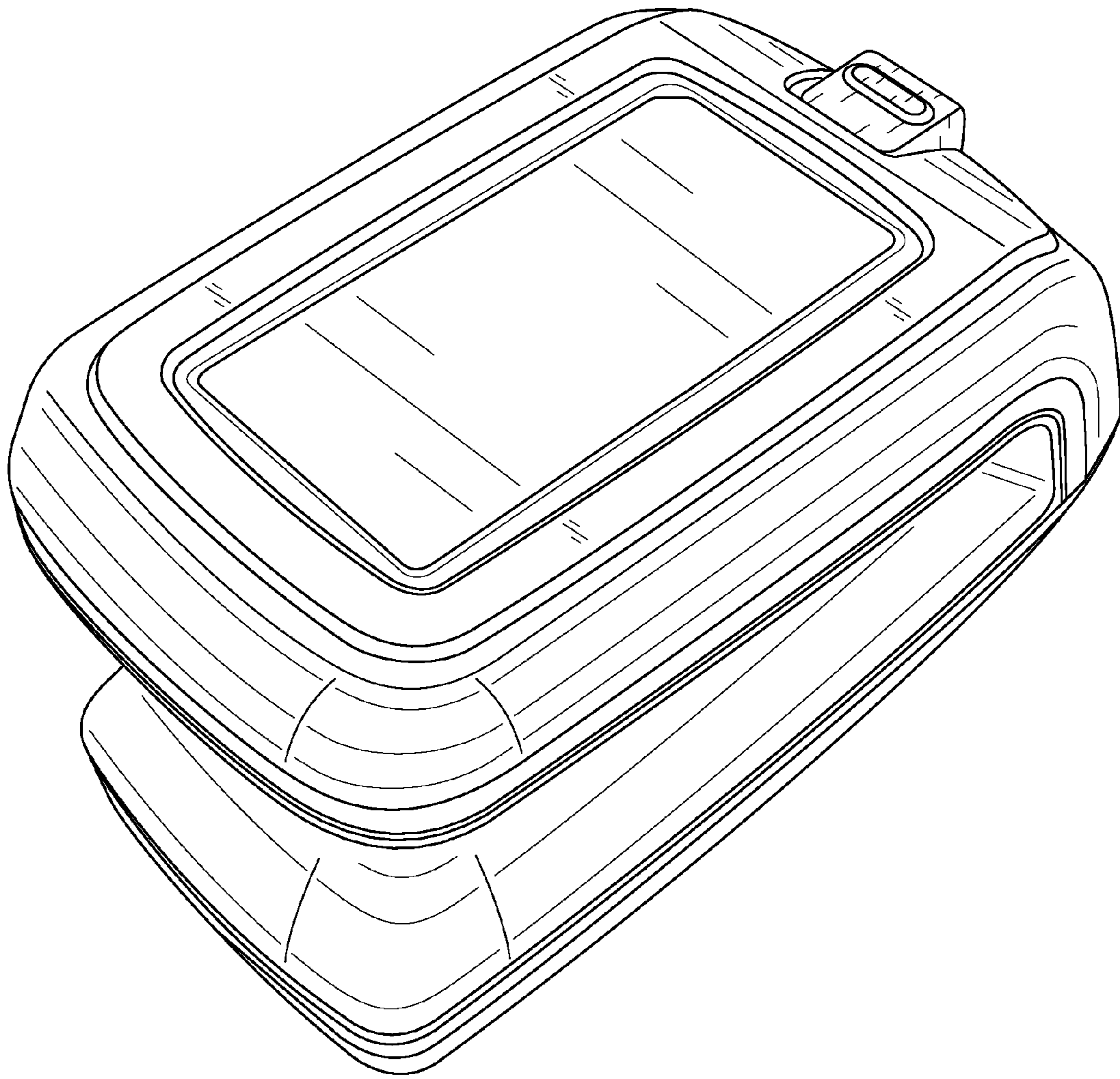


FIG. 8

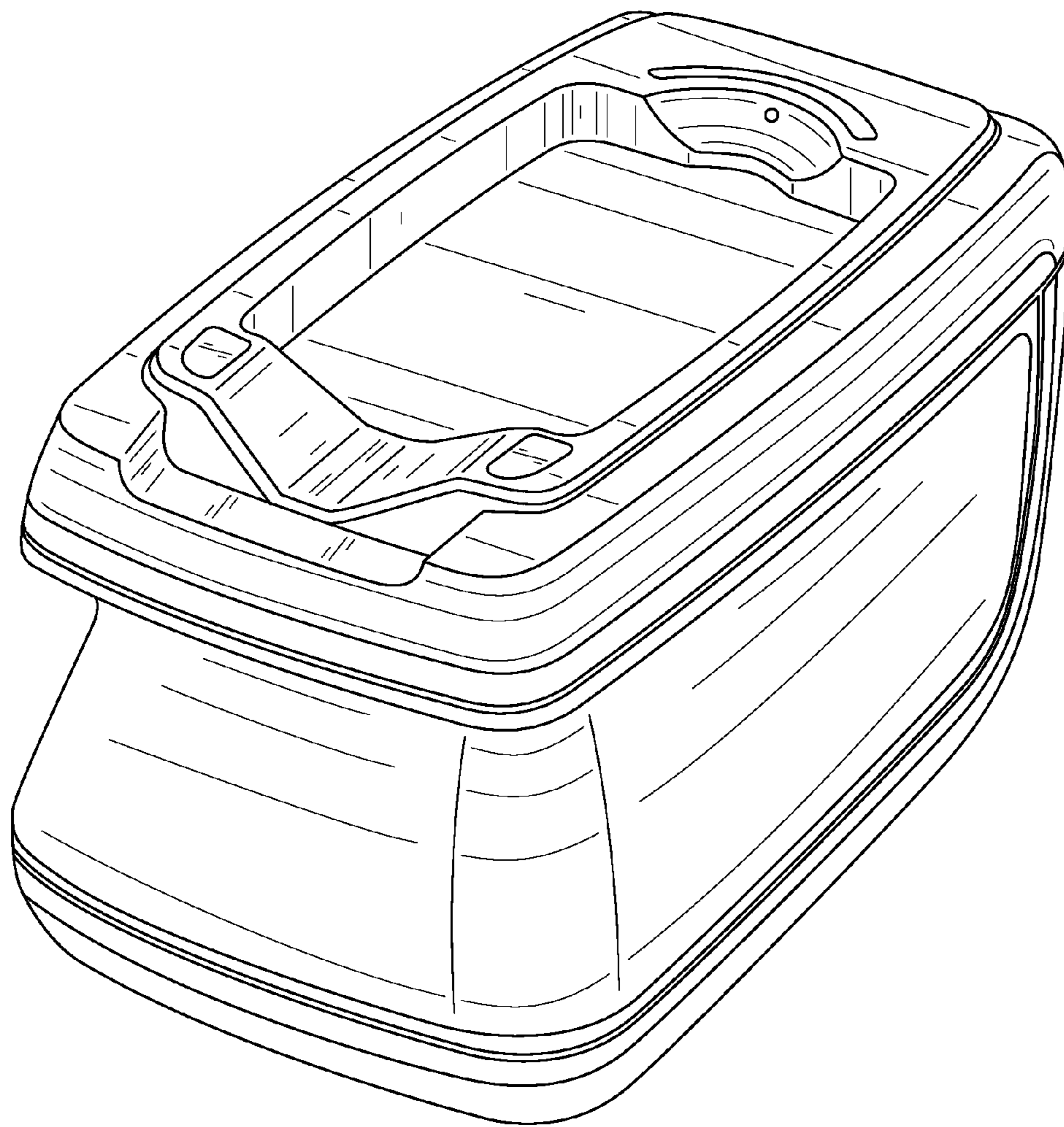


FIG. 9