



US00D703204S

(12) **United States Design Patent**
Riddiford et al.

(10) **Patent No.:** **US D703,204 S**
(45) **Date of Patent:** **** Apr. 22, 2014**

(54) **WATCH MODULE**

(71) Applicant: **TomTom International B.V.**,
Amsterdam (NL)
(72) Inventors: **Martin Riddiford**, London (GB);
Anthony Nicholas Pond, London (GB);
Liam James O'Brien, London (GB)
(73) Assignee: **TomTom International B.V.**,
Amsterdam (NL)

(**) Term: **14 Years**
(21) Appl. No.: **29/459,613**
(22) Filed: **Jul. 2, 2013**

(30) **Foreign Application Priority Data**
Jan. 2, 2013 (EM) 002161083-0001
Jan. 2, 2013 (EM) 002161083-0002
(51) **LOC (10) Cl.** **14-02**
(52) **U.S. Cl.**
USPC **D14/344**; D10/65
(58) **Field of Classification Search**
USPC D14/341-347, 420, 426, 427;
D10/30-32, 37-39, 65; 368/281-282,
368/294-296; 455/100; 361/679.03;
379/433.1; D11/3
See application file for complete search history.

(56) **References Cited**
U.S. PATENT DOCUMENTS
D299,028 S * 12/1988 Hermann D14/344
D355,132 S * 2/1995 Williams D10/32
5,418,760 A * 5/1995 Kawashima et al. 368/69
D365,550 S * 12/1995 Houlihan D14/344
D366,036 S * 1/1996 Houlihan D14/344
D383,985 S * 9/1997 Davenport D10/31
D401,515 S * 11/1998 Yida D10/39
D410,854 S * 6/1999 Cheung et al. D10/39
D413,817 S * 9/1999 Ando et al. D10/31

(Continued)

OTHER PUBLICATIONS

Pebble smartwatch, posted Jan. 25, 2013 [online], [retrieved Aug. 22, 2013]. Retrieved from Internet, <http://www.engadget.com/2013/01/25/pebble-smartwatch-review/>.*

(Continued)

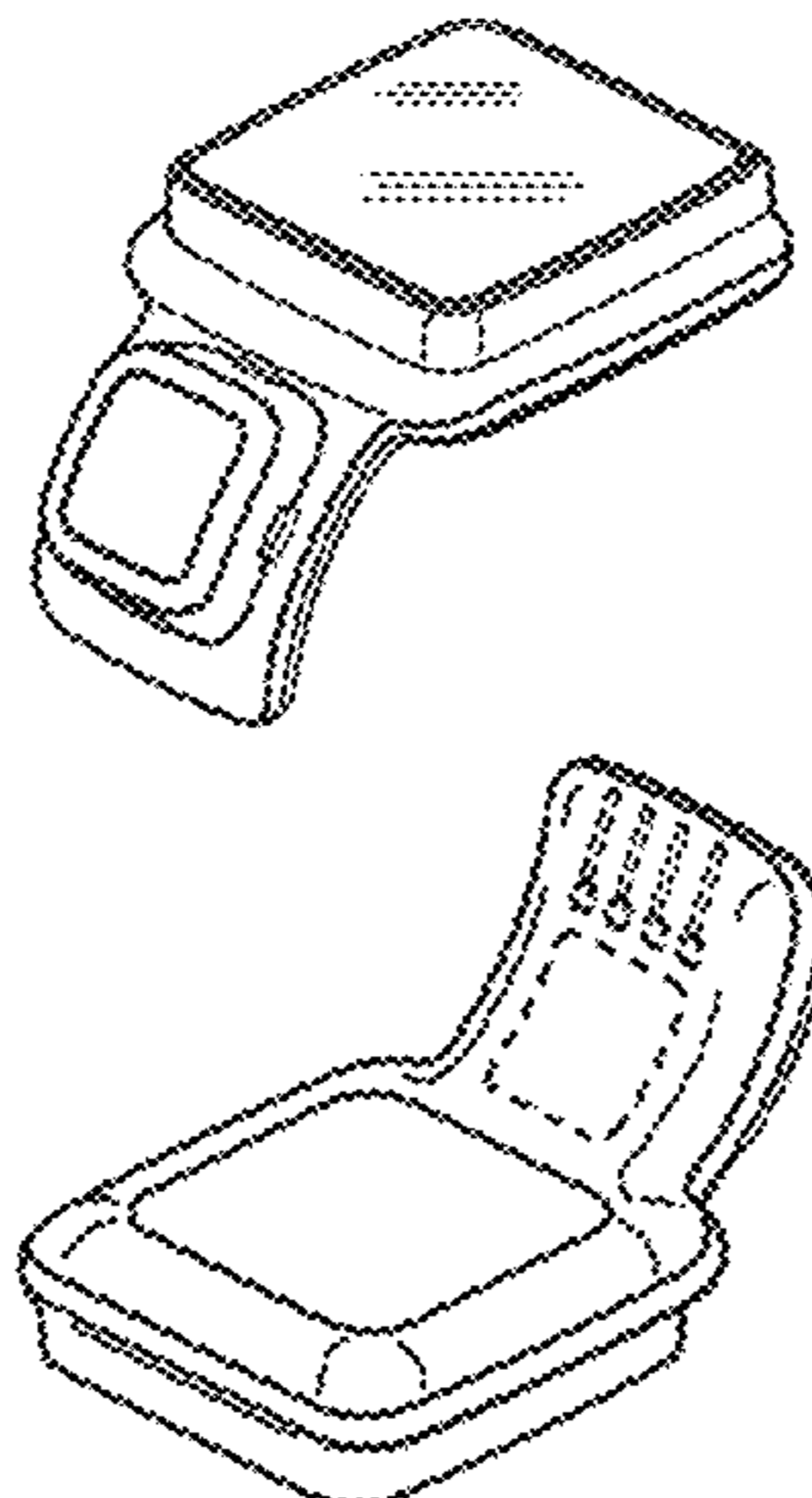
Primary Examiner — Barbara Fox

(57) **CLAIM**
The ornamental design for a watch module, as shown and described.

DESCRIPTION

FIG. 1 is a perspective view of a watch module of the present design, showing the upper surface of the watch module, including the display panel and user input device.
FIG. 2 is a perspective view showing the lower surface of the watch module.
FIG. 3 is a side view of the watch module; left and right views being the same.
FIG. 4 is a front view of the watch module.
FIG. 5 is a rear view of the watch module.
FIG. 6 is a top view of the watch module; and,
FIG. 7 is a perspective view of the watch module when inserted into an exemplary strap to form a fitness watch.
Portions of FIGS. 1 to 7 are shown in dashed lines for illustrative purposes only and form no part of the claimed design.
The design comprises a watch module, and which comprises a display panel for providing information to a user while performing activities such as running, swimming, cycling or the like, and a 4-way button or other user input device for receiving commands from the user. The module is insertable into a strap to form a fitness watch, but can also, for example, be inserted into a suitable mount on a bicycle. The module may comprise location determining means, e.g. a global navigation satellite system (GNSS) receiver.

1 Claim, 4 Drawing Sheets



(56)

References Cited

U.S. PATENT DOCUMENTS

D422,513 S * 4/2000 Bodino D10/32
 D434,675 S * 12/2000 Ando et al. D10/31
 D453,005 S * 1/2002 Baumer D10/32
 D459,352 S * 6/2002 Giovanniello D14/402
 D460,430 S * 7/2002 Wada et al. D14/138 R
 D463,296 S * 9/2002 Sanomi D10/39
 D466,487 S * 12/2002 Wada et al. D14/138 R
 D466,488 S * 12/2002 Wada et al. D14/138 R
 D526,215 S * 8/2006 Calvani D10/38
 D526,912 S * 8/2006 Calvani D10/38
 D537,738 S * 3/2007 Ohki et al. D10/32
 D596,610 S * 7/2009 Hou D14/144
 D626,550 S * 11/2010 Julien D14/341
 D636,686 S * 4/2011 Cobbett et al. D10/38
 D645,360 S * 9/2011 Kiser et al. D10/32
 D650,706 S * 12/2011 Zanella et al. D10/32
 D661,275 S * 6/2012 Roka D14/138 R
 D672,255 S * 12/2012 Zanella et al. D10/32
 2004/0209657 A1 * 10/2004 Ghassabian 455/575.1

OTHER PUBLICATIONS

Zypad WL 1000, posted Jun. 29, 2007 [online], [retrieved Aug. 22, 2013]. Retrieved from Internet, <http://www.pocket-lint.com/news/81360-zypad-wl1000-futuristic-wearable-computer>.*

iWatch Concept, posted Feb. 21, 2013 [online], [retrieved Aug. 21, 2013]. Retrieved from Internet, <http://appleinsider.com>.*
 Samsungpatent for a wrist watch computing device, posted Aug. 14, 2013 [online], [retrieved Aug. 21, 2013]. Retrieved from Internet, <http://appleinsider.com>.*
 Microsoft "Smartwatch", posted Apr. 17, 2013 [online], [retrieved Aug. 22, 2013]. Retrieved from Internet, <http://kotaku.com/report-xbox-staff-working-on-microsoft-smartwatch-475322574>.*
 Smartwatches, posted Mar. 25, 2013 [online], [retrieved Aug. 22, 2013]. Retrieved from Internet, <http://www.trustedreviews.com/opinions/smart-watches-fad-or-the-future>.*
 Microsoft smartwatch, posted Apr. 15, 2013 [online], [retrieved Aug. 22, 2013]. Retrieved from Internet, <http://www.digitaltrends.com>.*
 Samsung SPH-WP10, posted Mar. 21, 2013 [online], [retrieved Aug. 21, 2013]. Retrieved from Internet, <http://appleinsider.com>.*
 Sony SmartWatch, posted Mar. 19, 2012 [online], [retrieved Aug. 22, 2013]. Retrieved from Internet, <http://www.theverge.com/2012/3/19/2876341/sony-smartwatch-review>.*
 Microsoft SPTO Watch Smartwatch, posted Mar. 11, 2013 [online], [retrieved Aug. 22, 2013]. Retrieved from Internet, <http://www.smartwatchnews.org/2004-microsoft-spot-watch-smartwatch/>.*
 I'm Watch, posted Jan. 10, 2012 [online], [retrieved Aug. 22, 2013]. Retrieved from Internet, <http://www.theverge.com>.*
 Sonostar, posted May 21, 2013 [online], [retrieved Aug. 25, 2013]. Retrieved from Internet, http://reviews.cnet.com/cell-phone-and-smart/sonostar-smartwatch/4505-6448_7-35768972.html.*

* cited by examiner

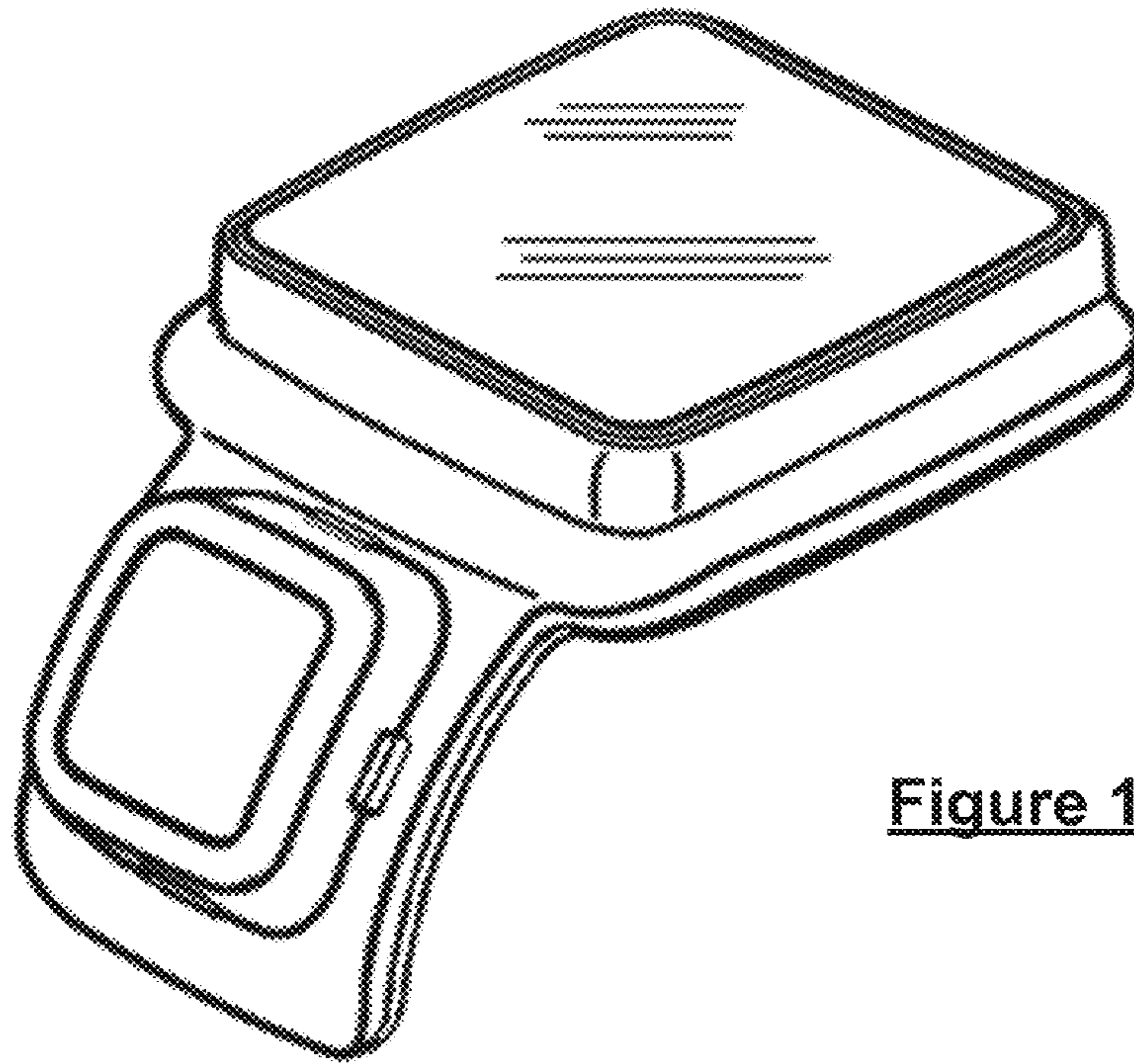


Figure 1

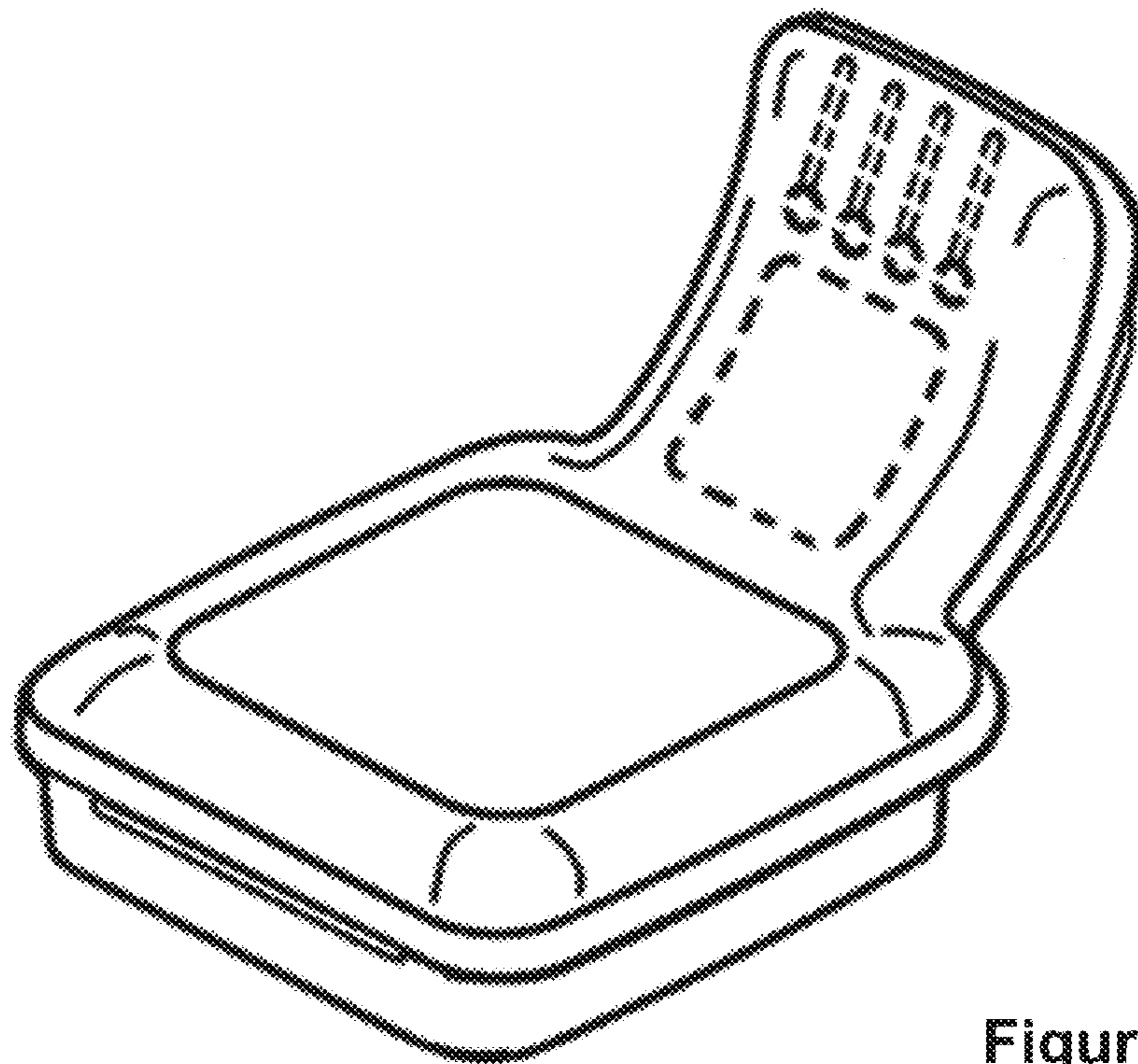


Figure 2

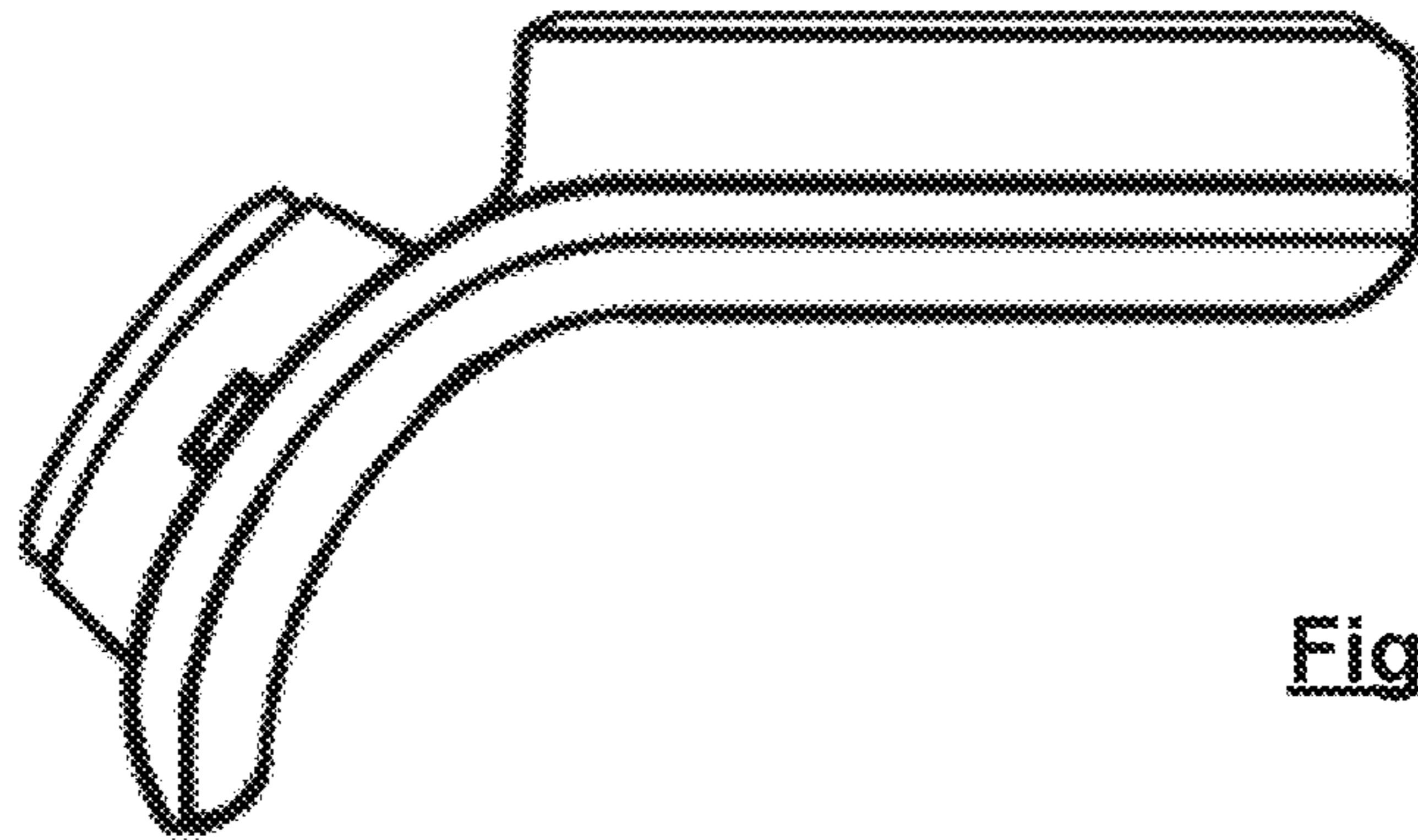


Figure 3

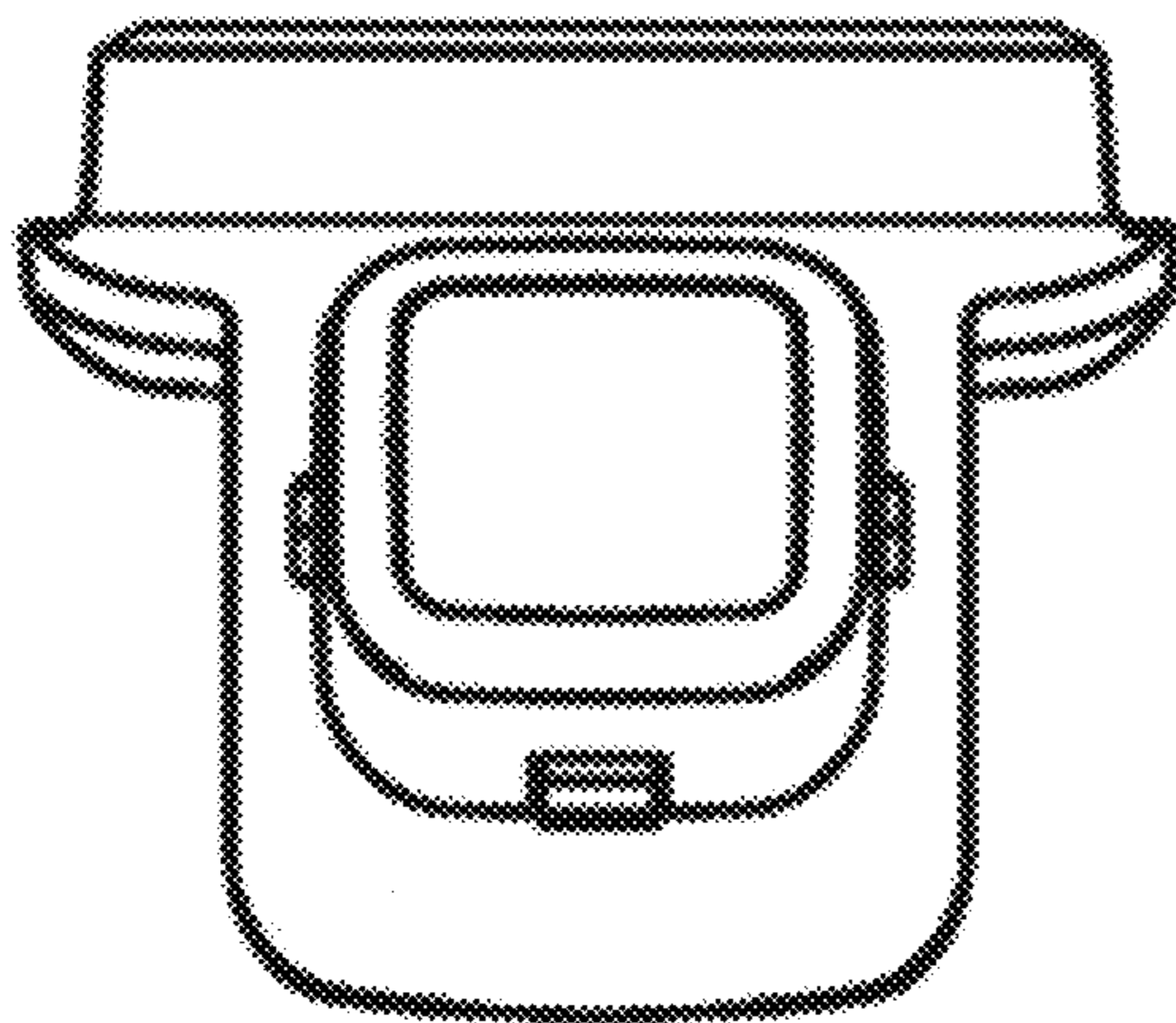


Figure 4

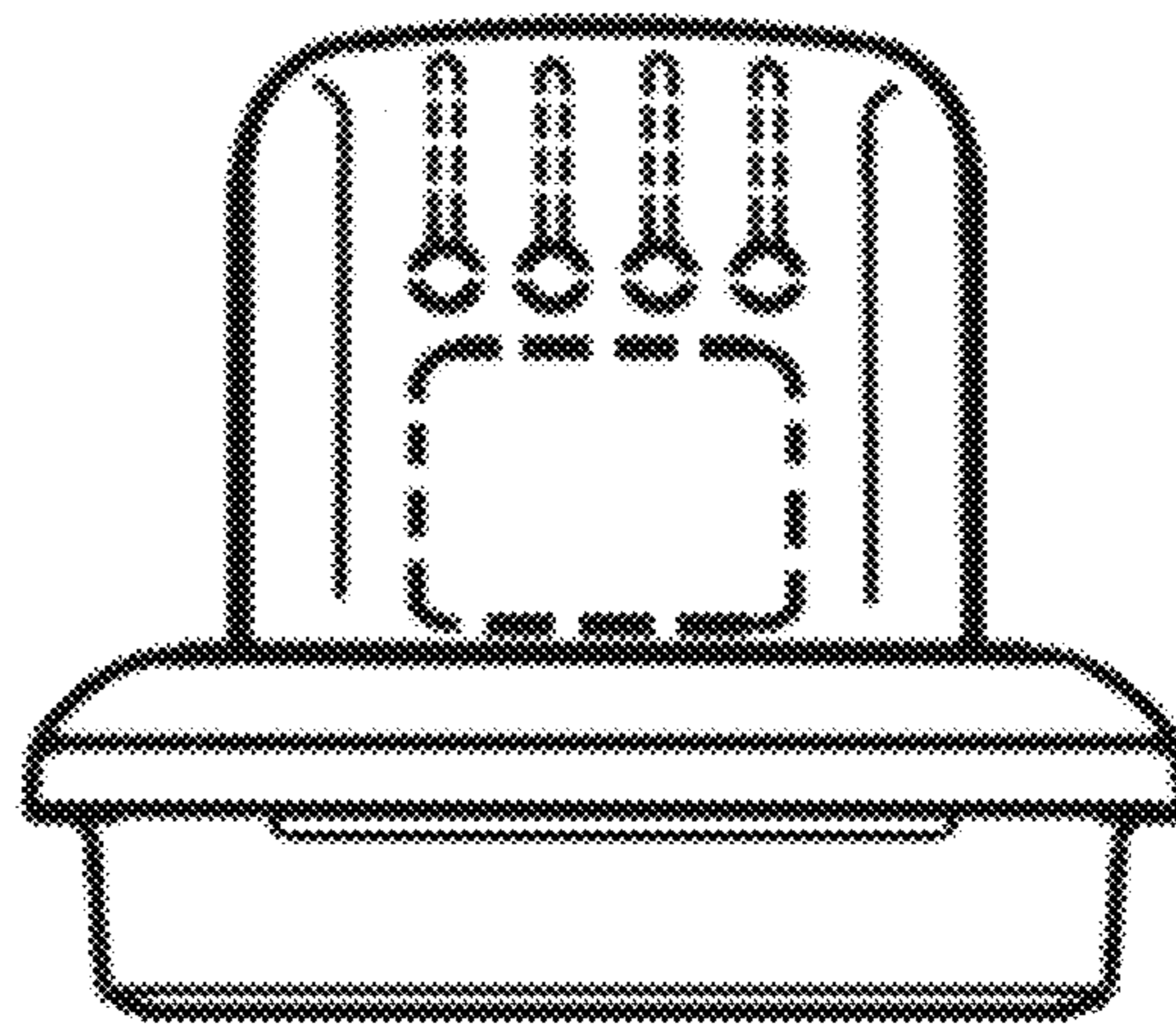


Figure 5

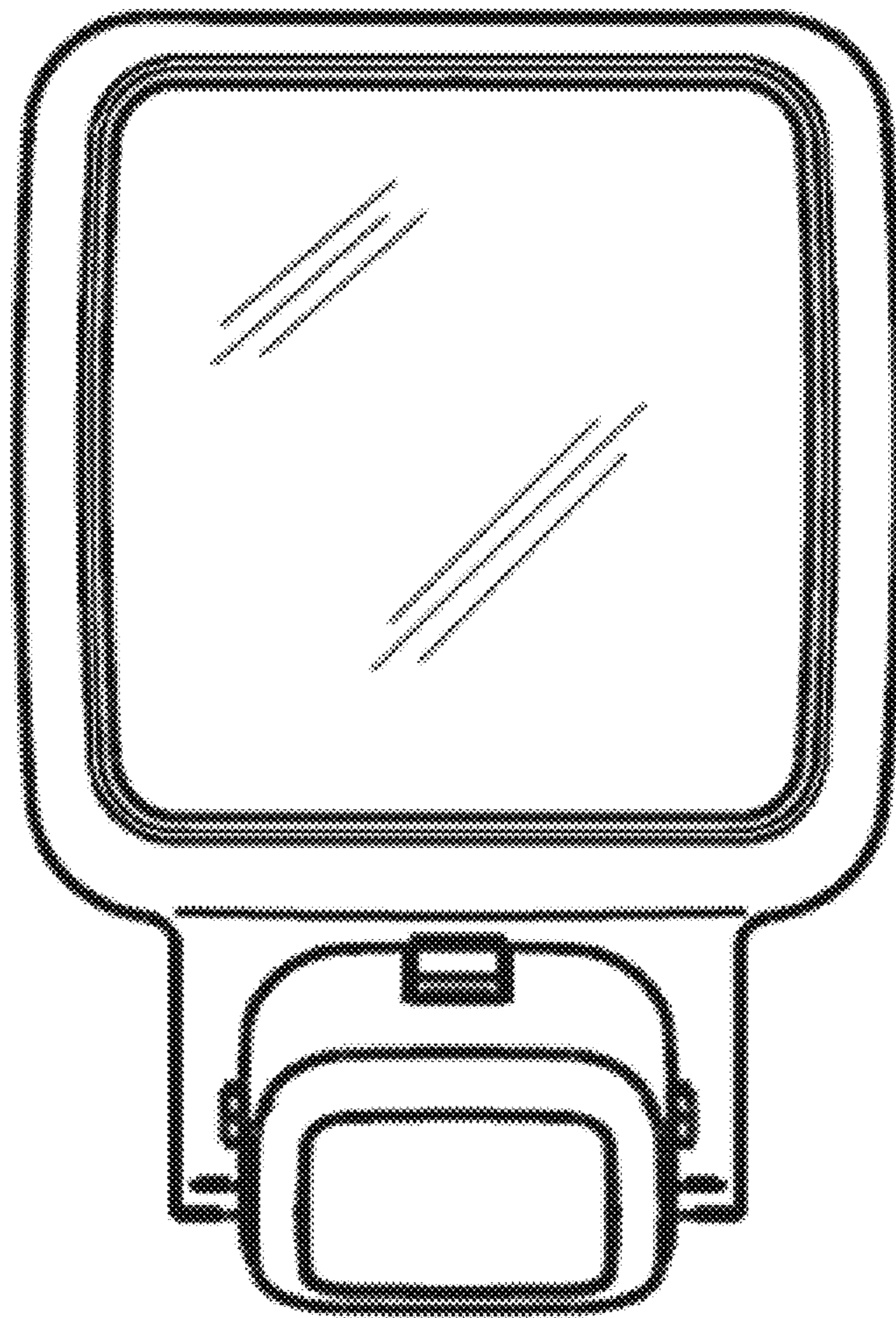


Figure 6

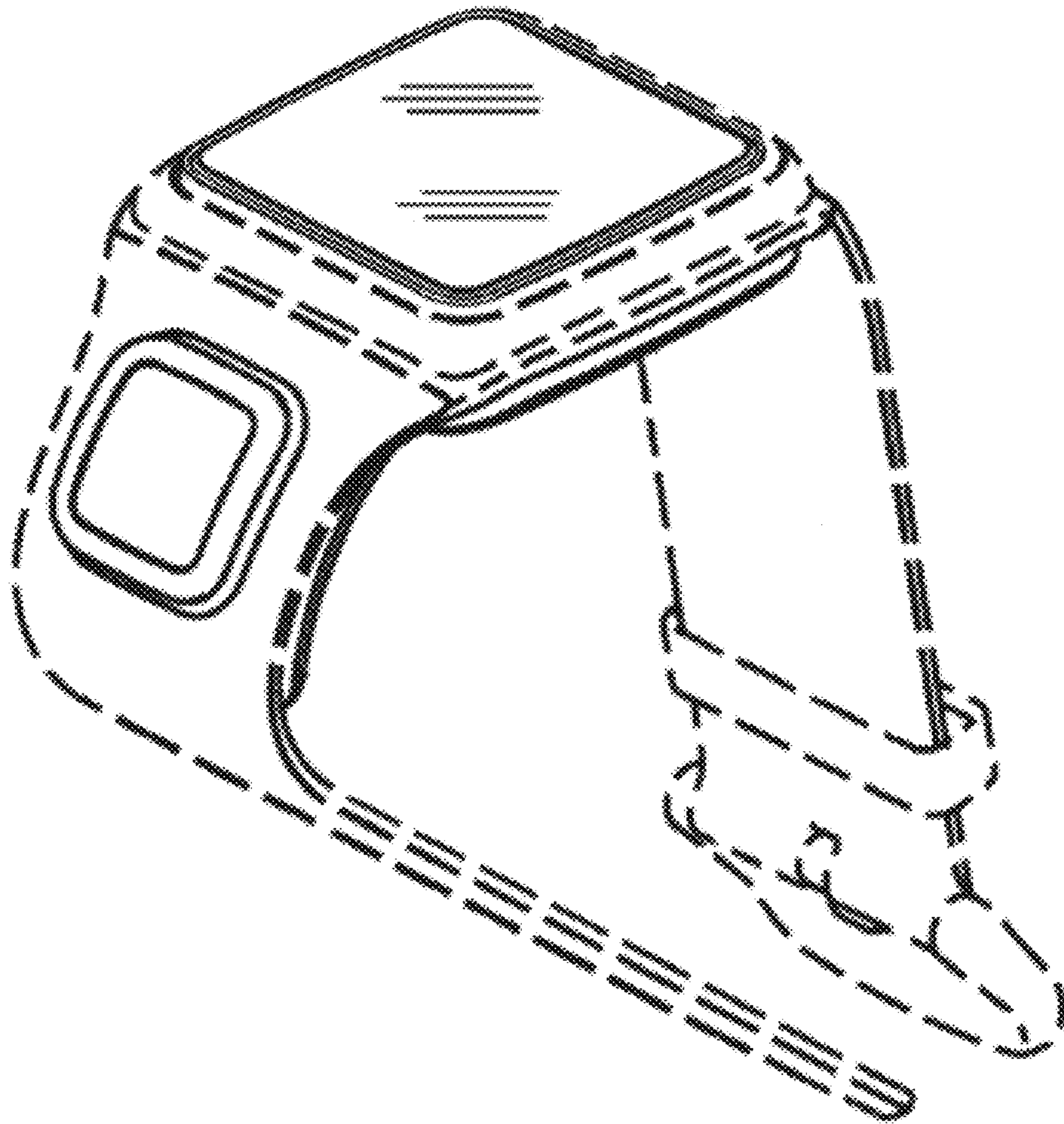


Figure 7