



US00D703201S

(12) **United States Design Patent**
Tian

(10) **Patent No.:** **US D703,201 S**
(45) **Date of Patent:** **** Apr. 22, 2014**

(54) **ELECTRONIC COMPUTER**

(71) Applicants: **Lenovo (Beijing) Co., Ltd.**, Beijing (CN); **Beijing Lenovo Software Ltd.**, Beijing (CN)

(72) Inventor: **Chunyu Tian**, Beijing (CN)

(73) Assignees: **Lenovo (Beijing) Co., Ltd.**, Beijing (CN); **Beijing Lenovo Software Ltd.**, Beijing (CN)

(**) Term: **14 Years**

(21) Appl. No.: **29/467,984**

(22) Filed: **Sep. 25, 2013**

Related U.S. Application Data

(62) Division of application No. 29/433,239, filed on Sep. 27, 2012.

(30) **Foreign Application Priority Data**

Mar. 30, 2012 (CN) 2012 3 0084531

(51) **LOC (10) Cl.** **14-02**

(52) **U.S. Cl.**
USPC **D14/315**

(58) **Field of Classification Search**
USPC D14/315-327, 455; D18/1, 2, 7, 11; 235/145 A, 145 R; 341/22, 23; 345/104, 345/156, 168, 169, 173; 361/679.08, 361/679.09, 679.11, 679.26, 679.27
See application file for complete search history.

(56) **References Cited**

U.S. PATENT DOCUMENTS

D416,238 S * 11/1999 Irie et al. D14/318
D463,797 S * 10/2002 Andre et al. D14/327

(Continued)

OTHER PUBLICATIONS

First Office Action dated May 7, 2013 of corresponding Japanese application No. 2012-023882 (5 pages including English translation).

Primary Examiner — Freda S Nunn

(74) *Attorney, Agent, or Firm* — Brinks Gilson & Lione; G. Peter Nichols

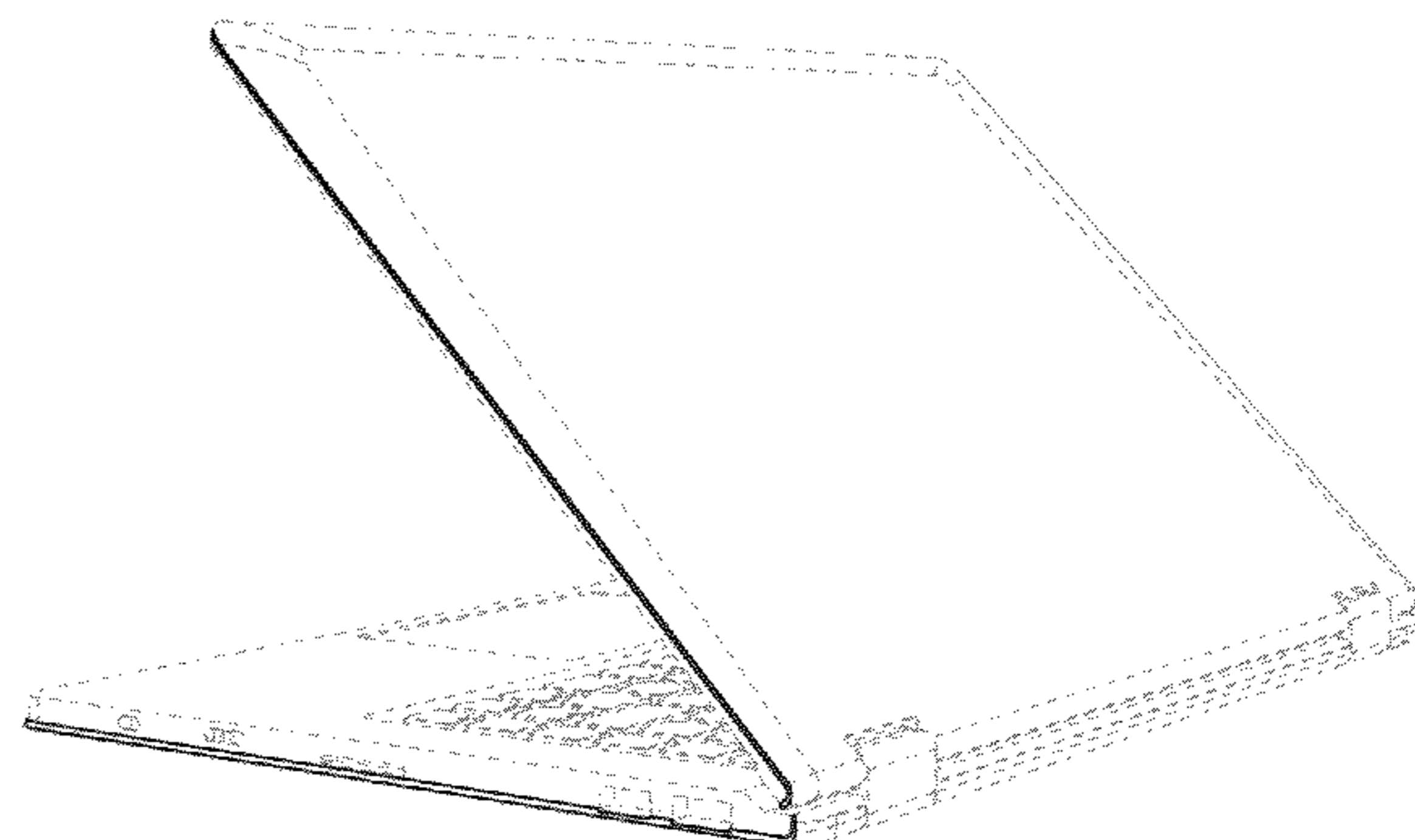
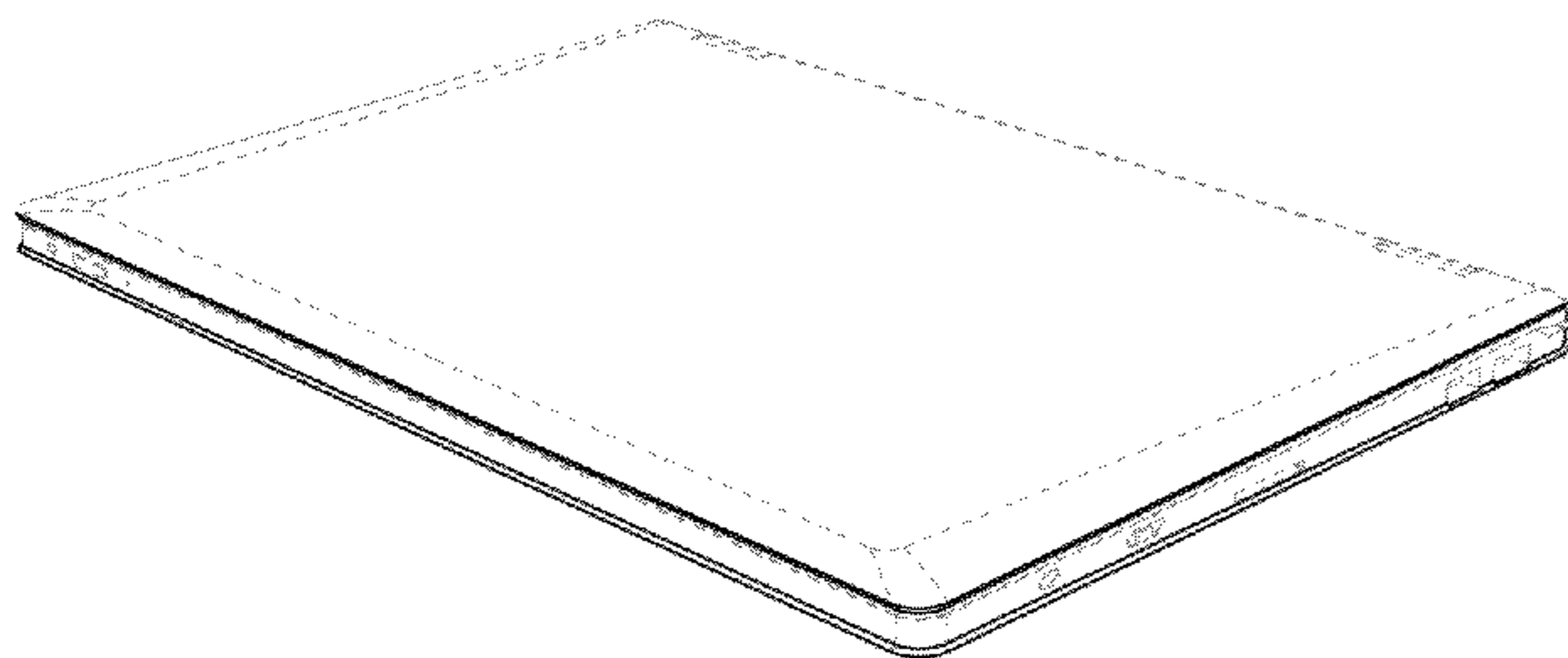
(57) **CLAIM**

The ornamental design for electronic computer, as shown and described.

DESCRIPTION

FIG. 1 is a front view of a first embodiment of an electronic computer of the present invention;
FIG. 2 is a rear view of the embodiment of FIG. 1;
FIG. 3 is a left side view of the embodiment of FIG. 1;
FIG. 4 is a right side view of the embodiment of FIG. 1;
FIG. 5 is a top plan view of the embodiment of FIG. 1;
FIG. 6 is a bottom view of the embodiment of FIG. 1;
FIG. 7 is a perspective view of the embodiment of FIG. 1;
FIG. 8 is a perspective view showing the embodiment of FIG. 1 in a 45 degree open position;
FIG. 9 is a perspective view showing the embodiment of FIG. 1 in a 315 degree open position;
FIG. 10 is another perspective view showing the embodiment of FIG. 1 in a 315 degree open position;
FIG. 11 is a perspective view showing the embodiment of FIG. 1 in a 360 degree closed position;
FIG. 12 is a front view of a second embodiment of an electronic computer;
FIG. 13 is rear view of the embodiment of FIG. 12;
FIG. 14 is left side view of the embodiment of FIG. 12;
FIG. 15 is right side view of the embodiment of FIG. 12;
FIG. 16 is top plan view of the embodiment of FIG. 12;
FIG. 17 is bottom view of the embodiment of FIG. 12;
FIG. 18 is perspective view of the embodiment of FIG. 12;
FIG. 19 is a perspective view showing the second embodiment of FIG. 12 in a 45 degree open position;
FIG. 20 is a perspective view showing the second embodiment of FIG. 12 in a 315 degree open position;
FIG. 21 is another perspective view showing the second embodiment of FIG. 12 in a 315 degree open position; and,
FIG. 22 is a perspective view showing the second embodiment of FIG. 12 in a 360 degree closed position.
The broken lines shown in the drawings represent unclaimed portions and form no part of the claimed design.

1 Claim, 12 Drawing Sheets



(56)

References Cited

U.S. PATENT DOCUMENTS

D487,891 S 3/2004 Yang et al.
D564,511 S * 3/2008 Akhtar D14/318
D587,701 S 3/2009 Yoon
7,542,284 B1 * 6/2009 Wilson, Sr. 361/679.45
D601,138 S * 9/2009 Solomon et al. D14/315
D615,539 S 5/2010 Jen
D638,833 S 5/2011 Chuang

D642,172 S 7/2011 Akana et al.
D651,206 S 12/2011 Kim et al.
D656,934 S 4/2012 Lee et al.
D661,296 S 6/2012 Akana et al.
D661,298 S 6/2012 Park et al.
D661,301 S 6/2012 Kim et al.
D684,152 S * 6/2013 Ilchan et al. D14/315
D688,238 S * 8/2013 Hsu et al. D14/315
2005/0041378 A1 * 2/2005 Hamada et al. 361/680
2011/0255727 A1 10/2011 Azuchi

* cited by examiner



Fig. 1



Fig. 2

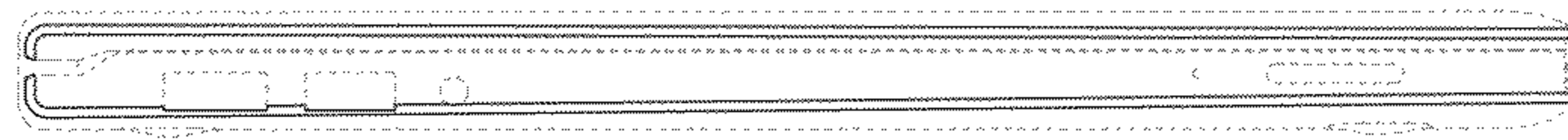


Fig. 3

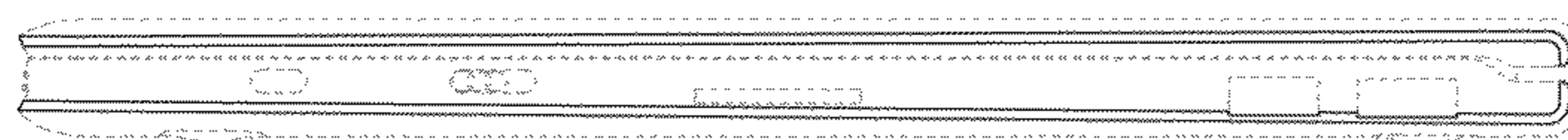


Fig. 4

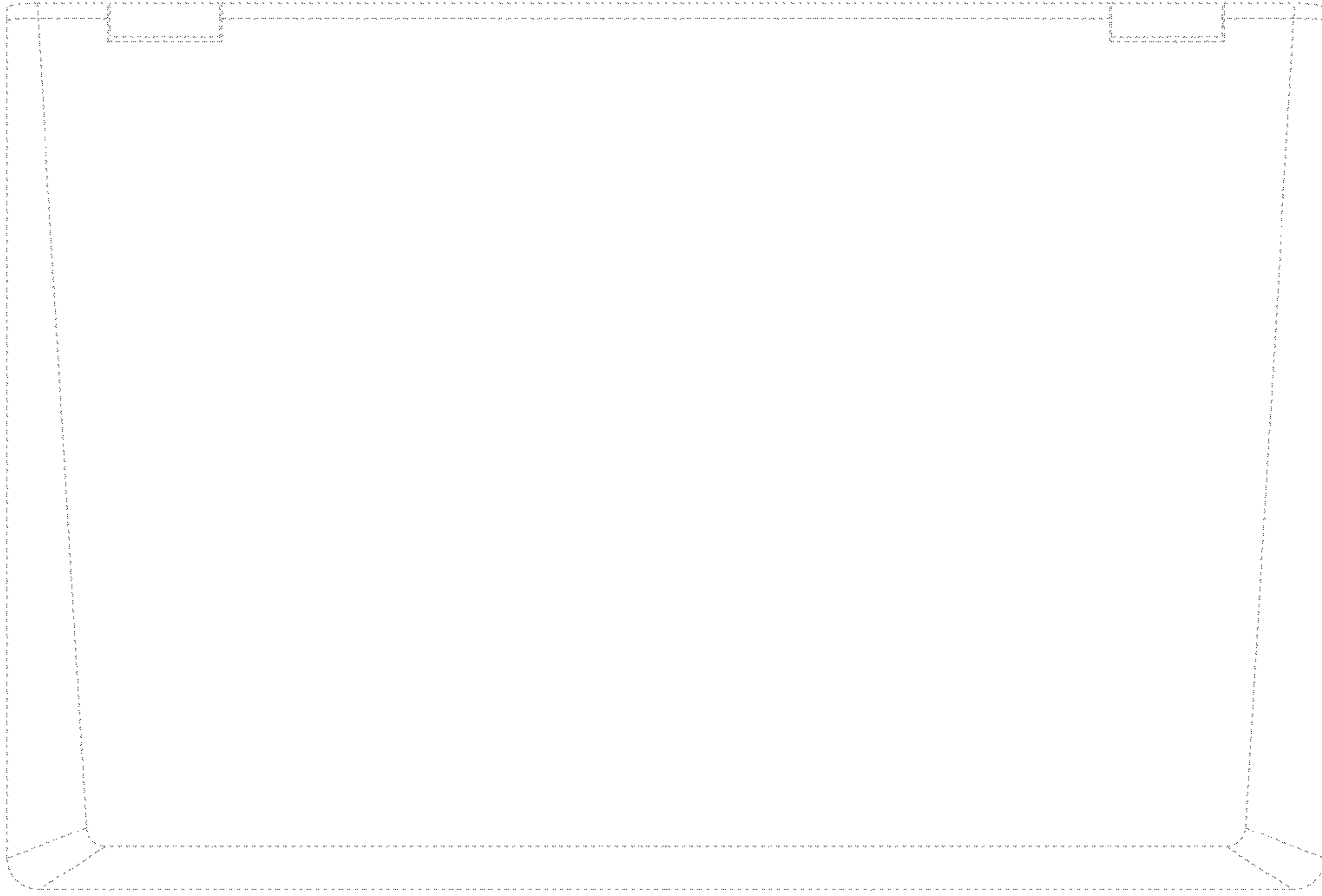


Fig. 5



Fig. 6

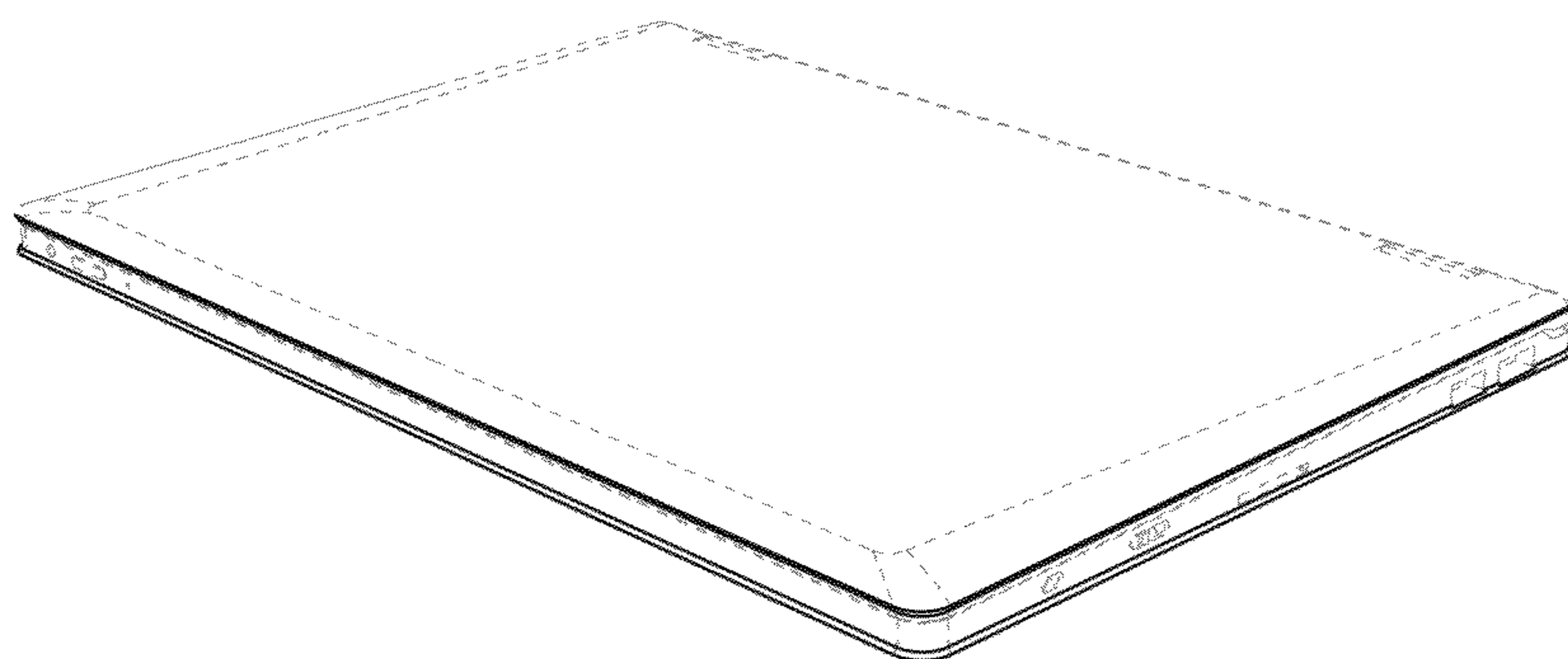


Fig. 7

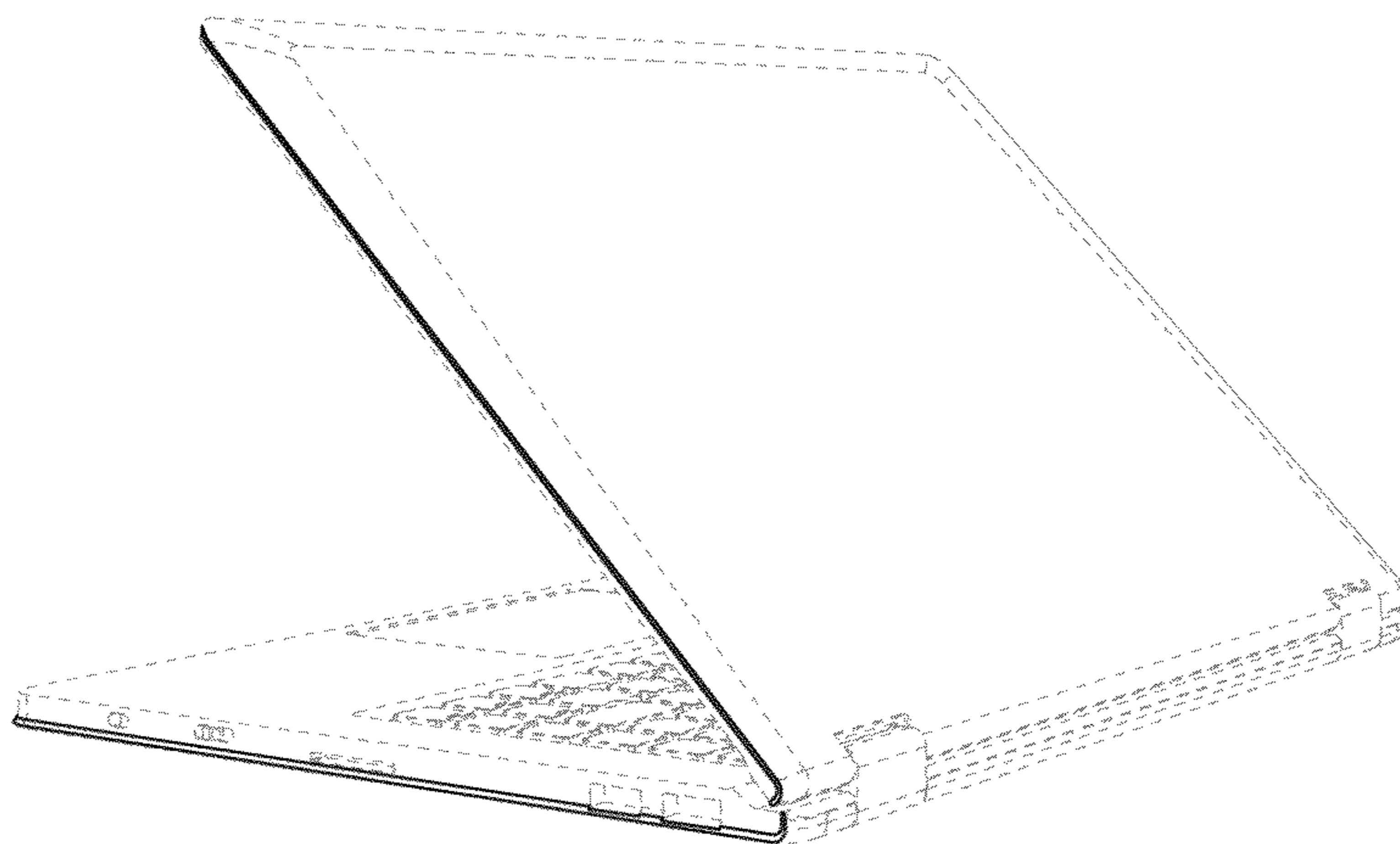


Fig. 8

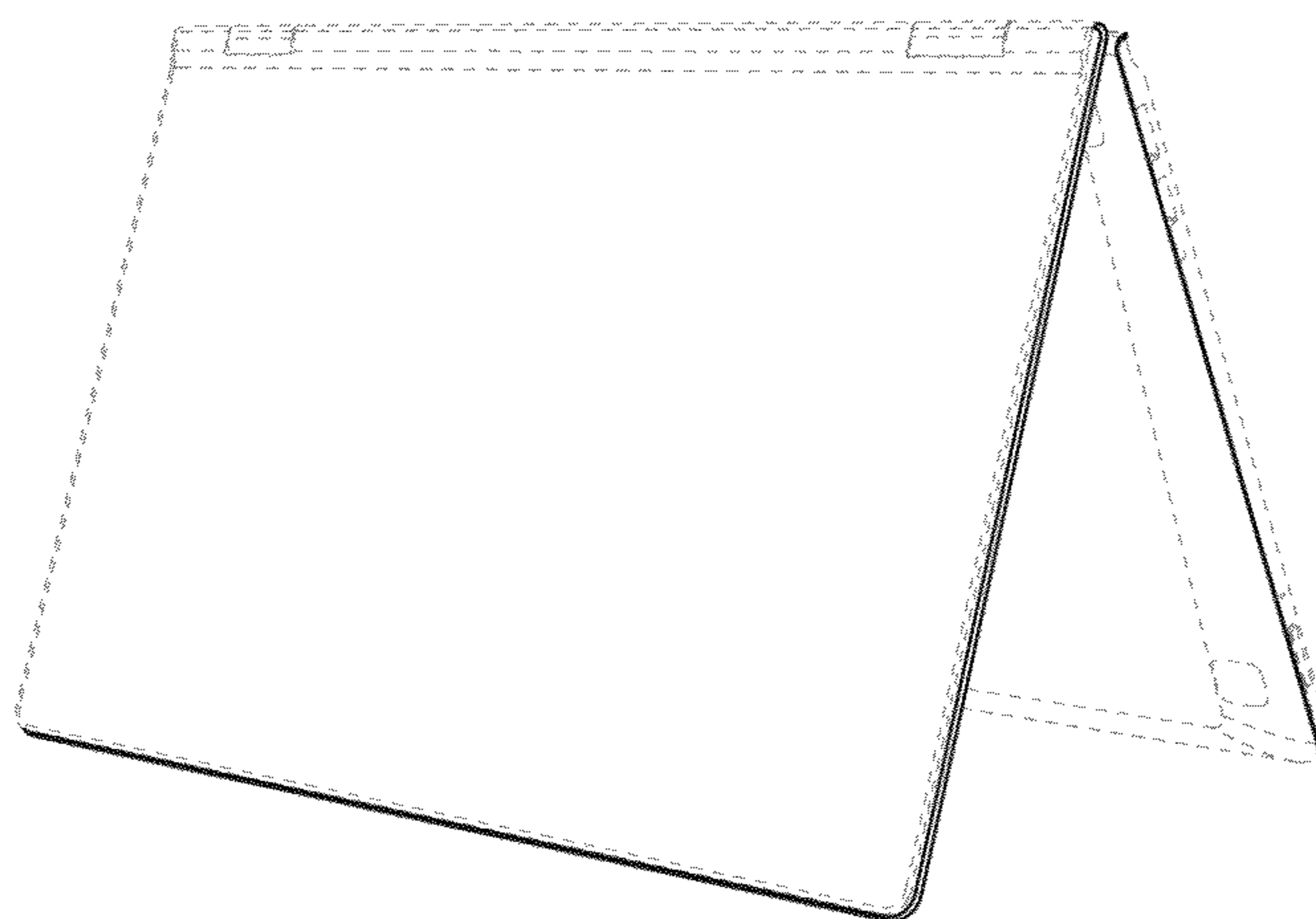


Fig. 9

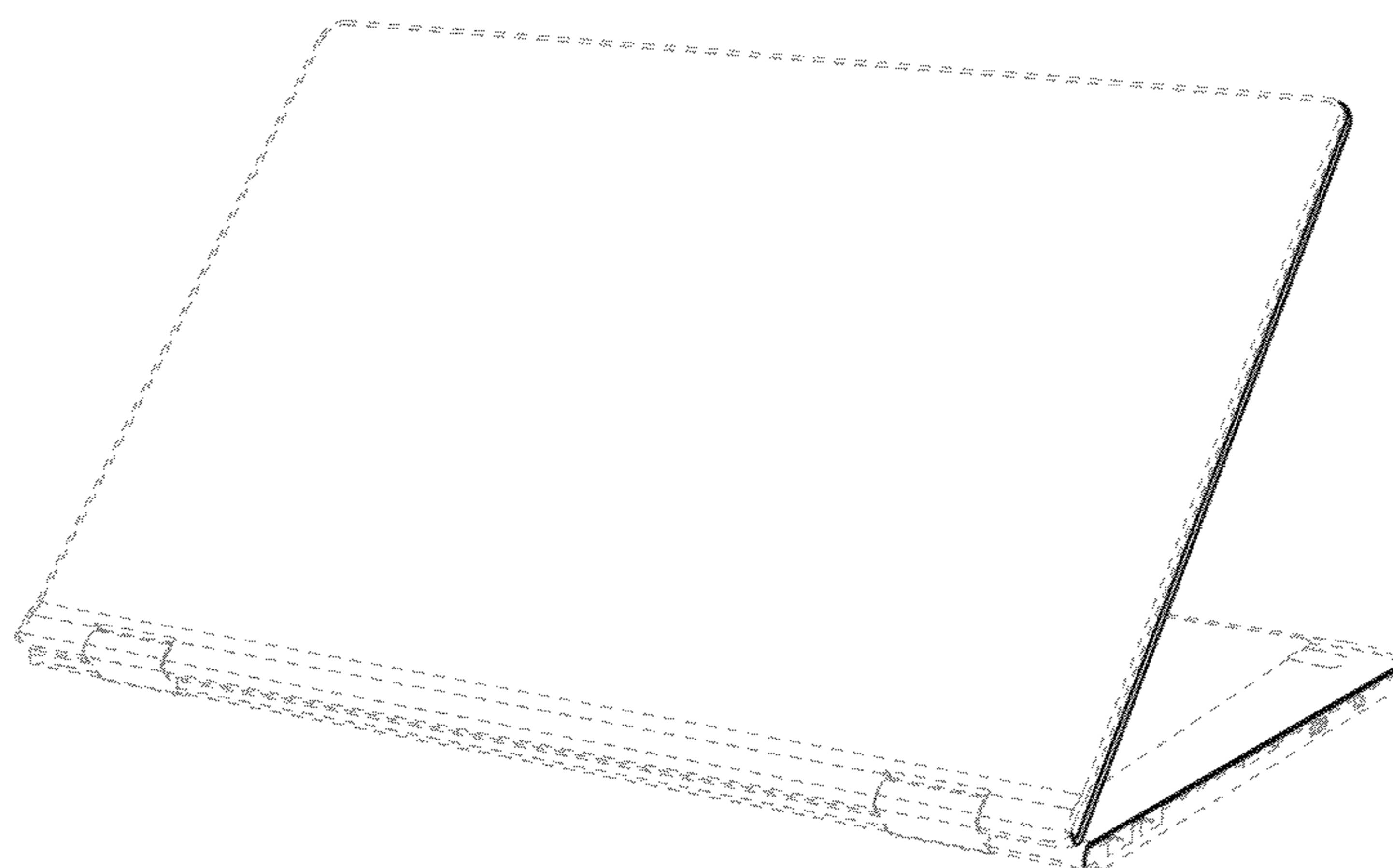


Fig. 10

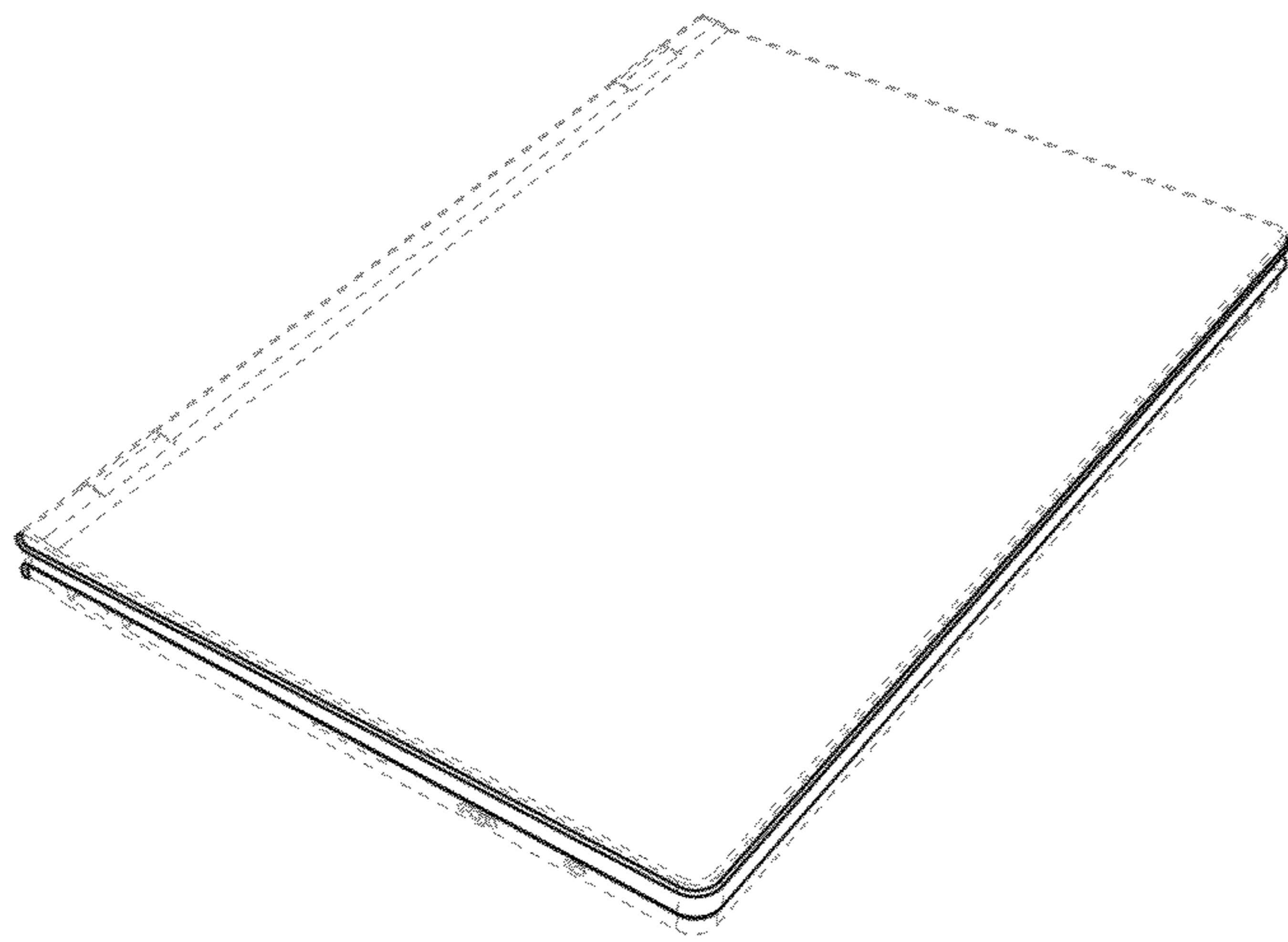


Fig. 11

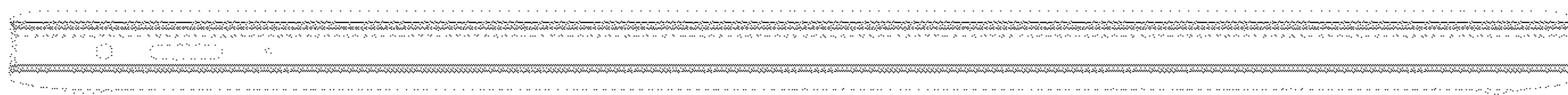


Fig. 12

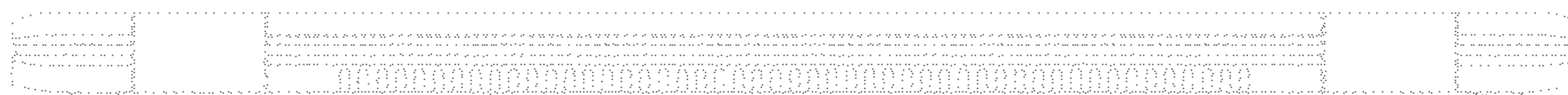


Fig. 13

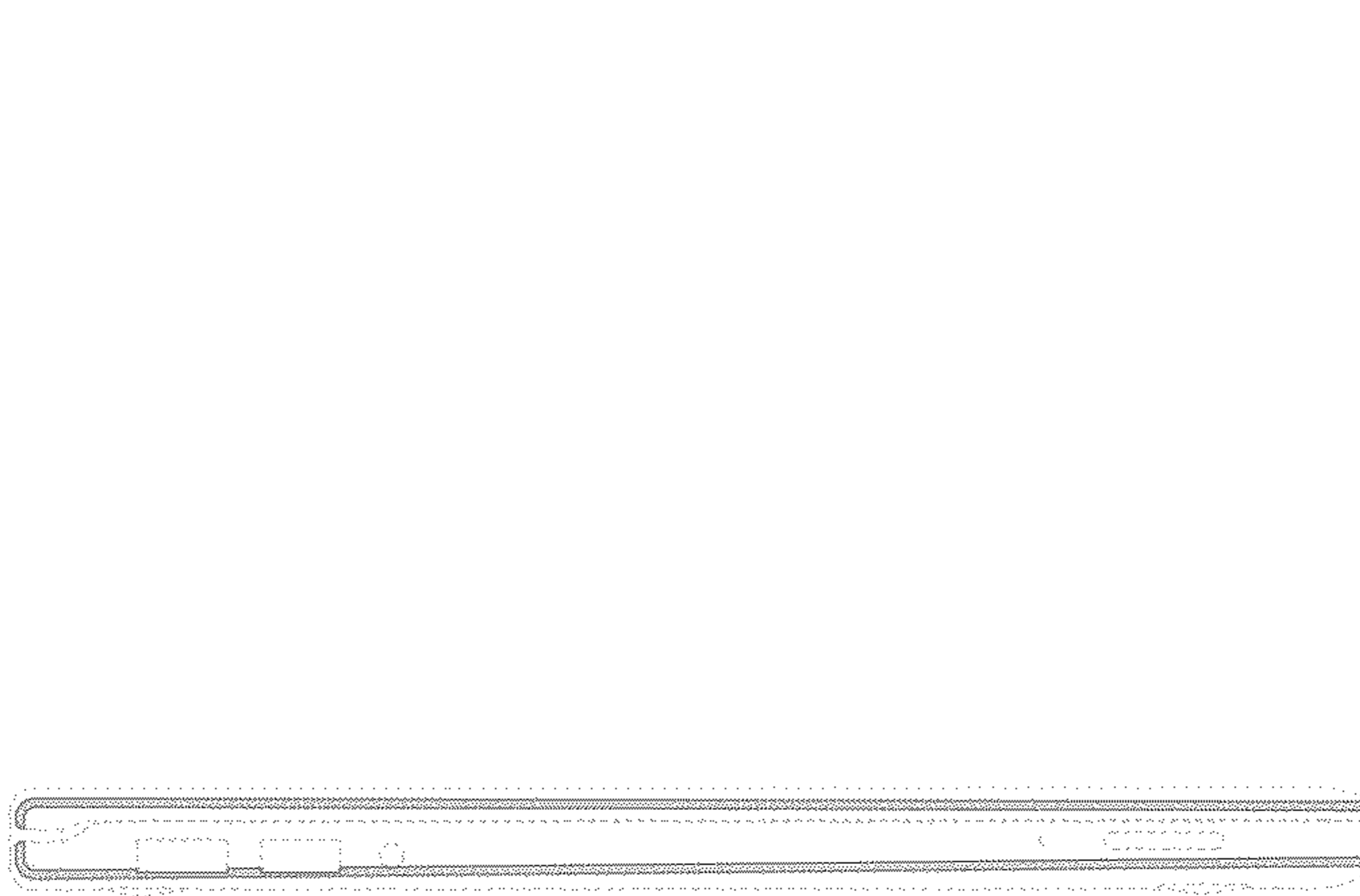


Fig. 14



Fig. 15

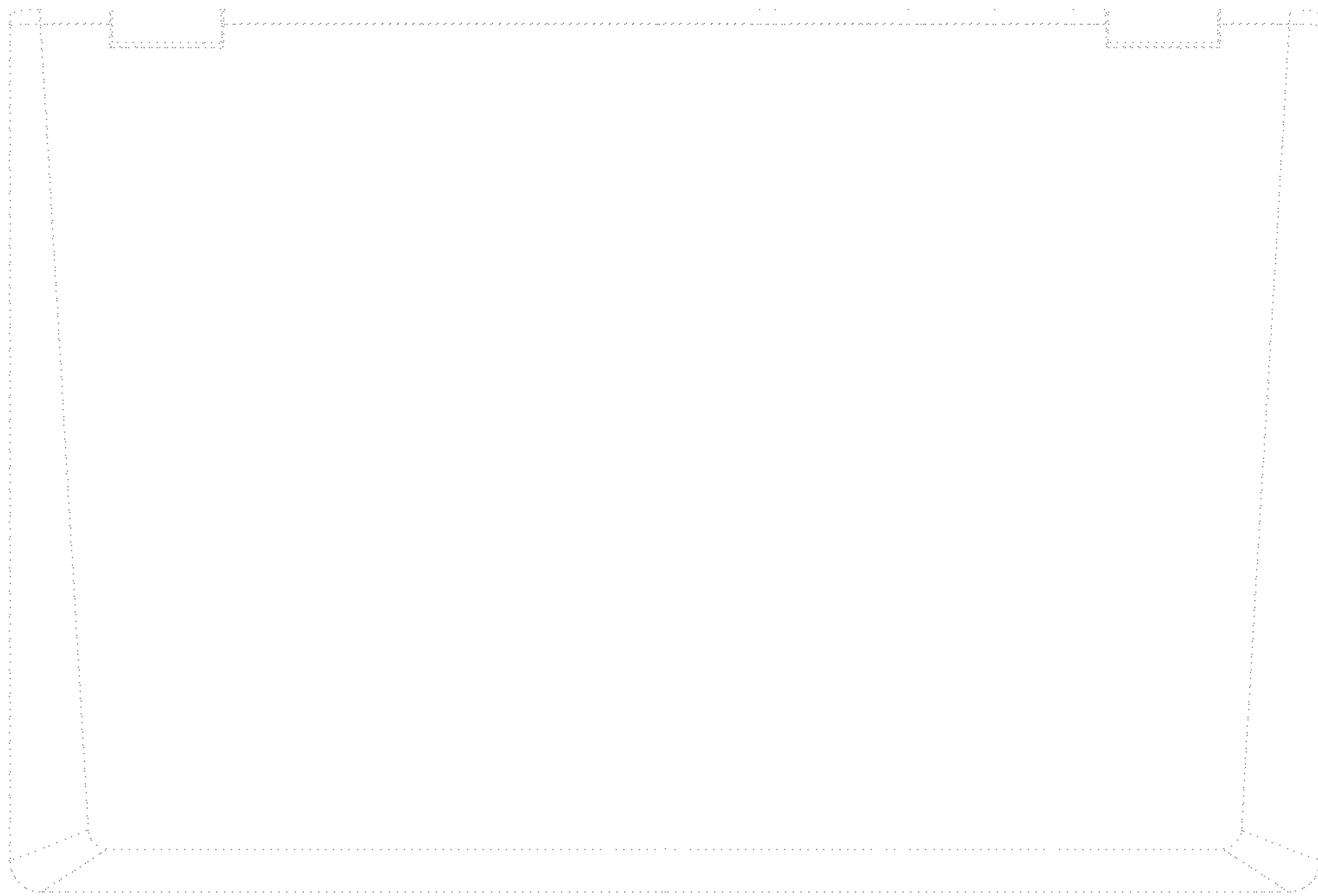


Fig. 16

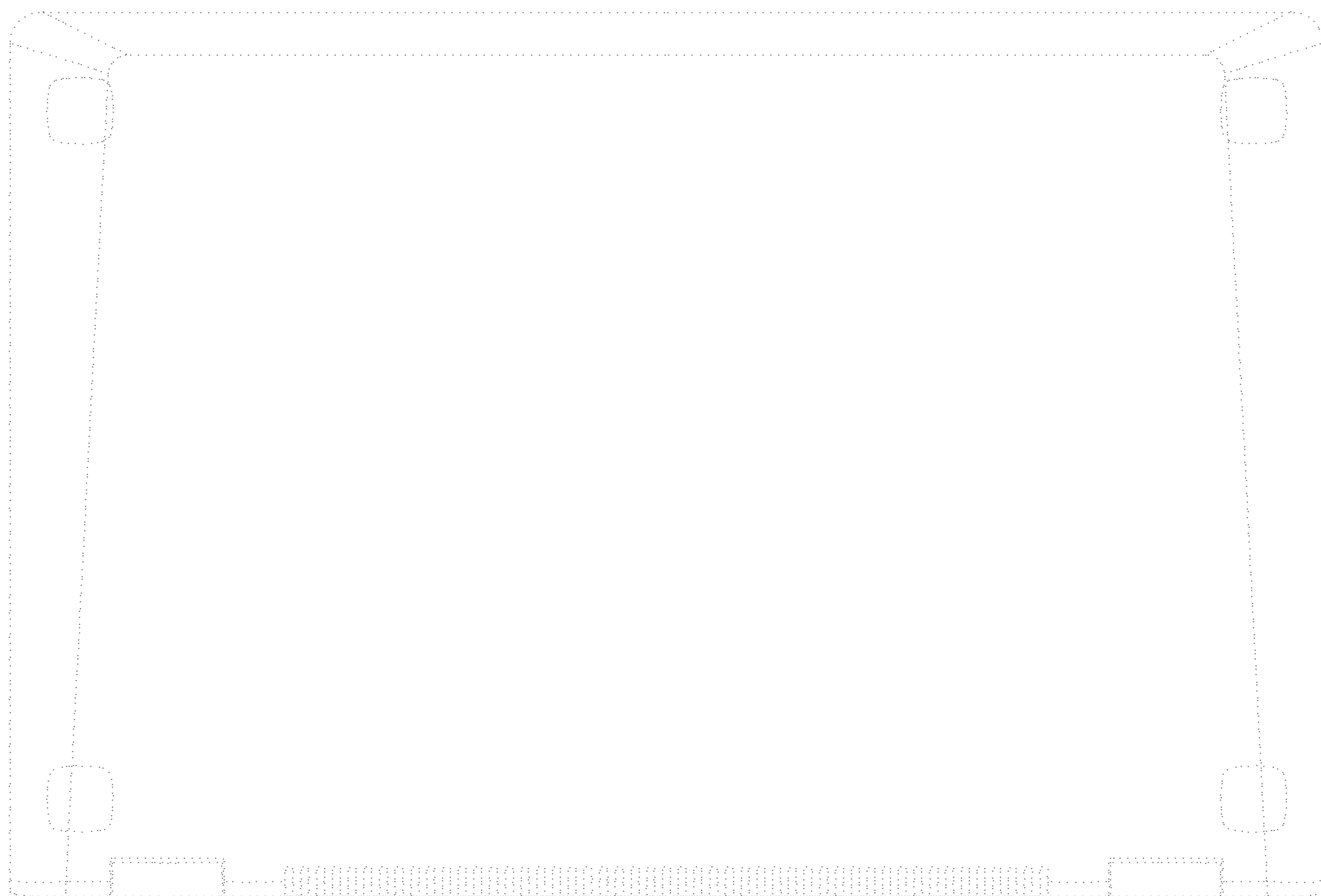


Fig. 17

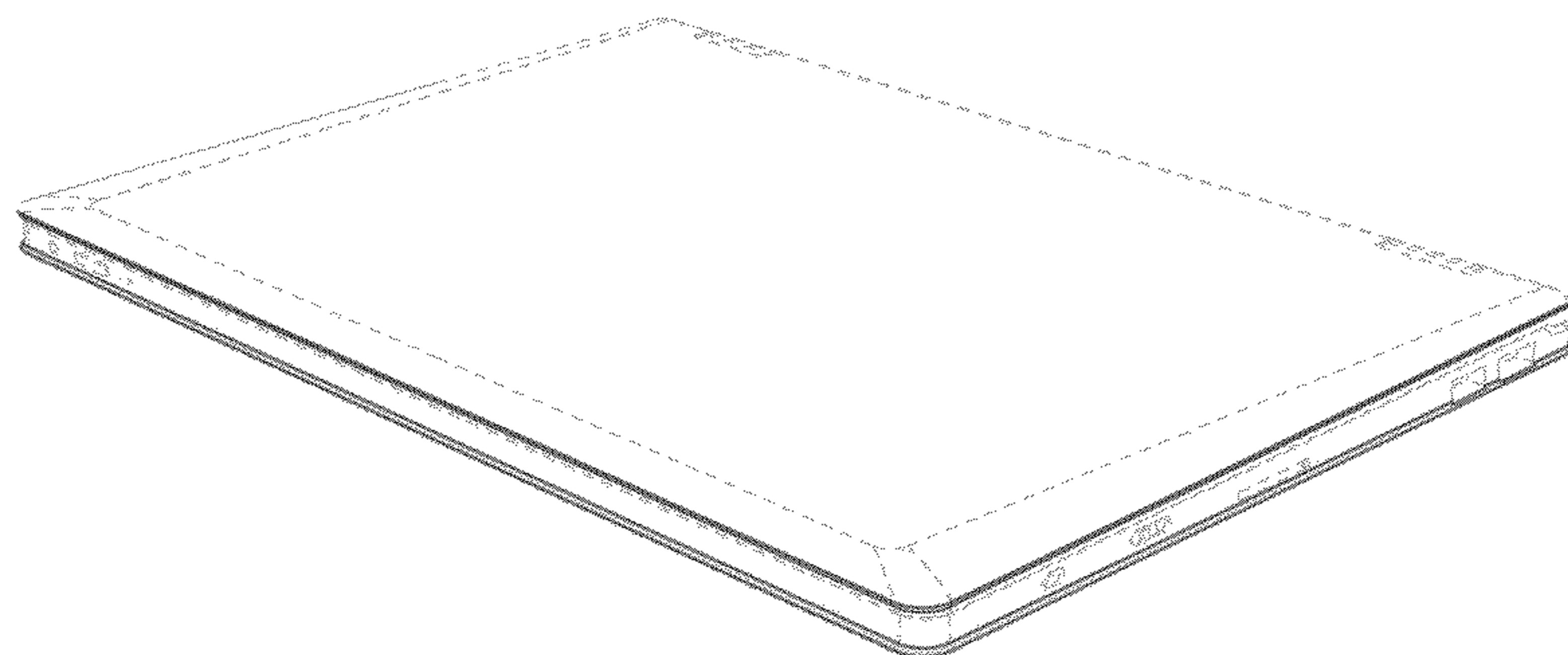


Fig. 18

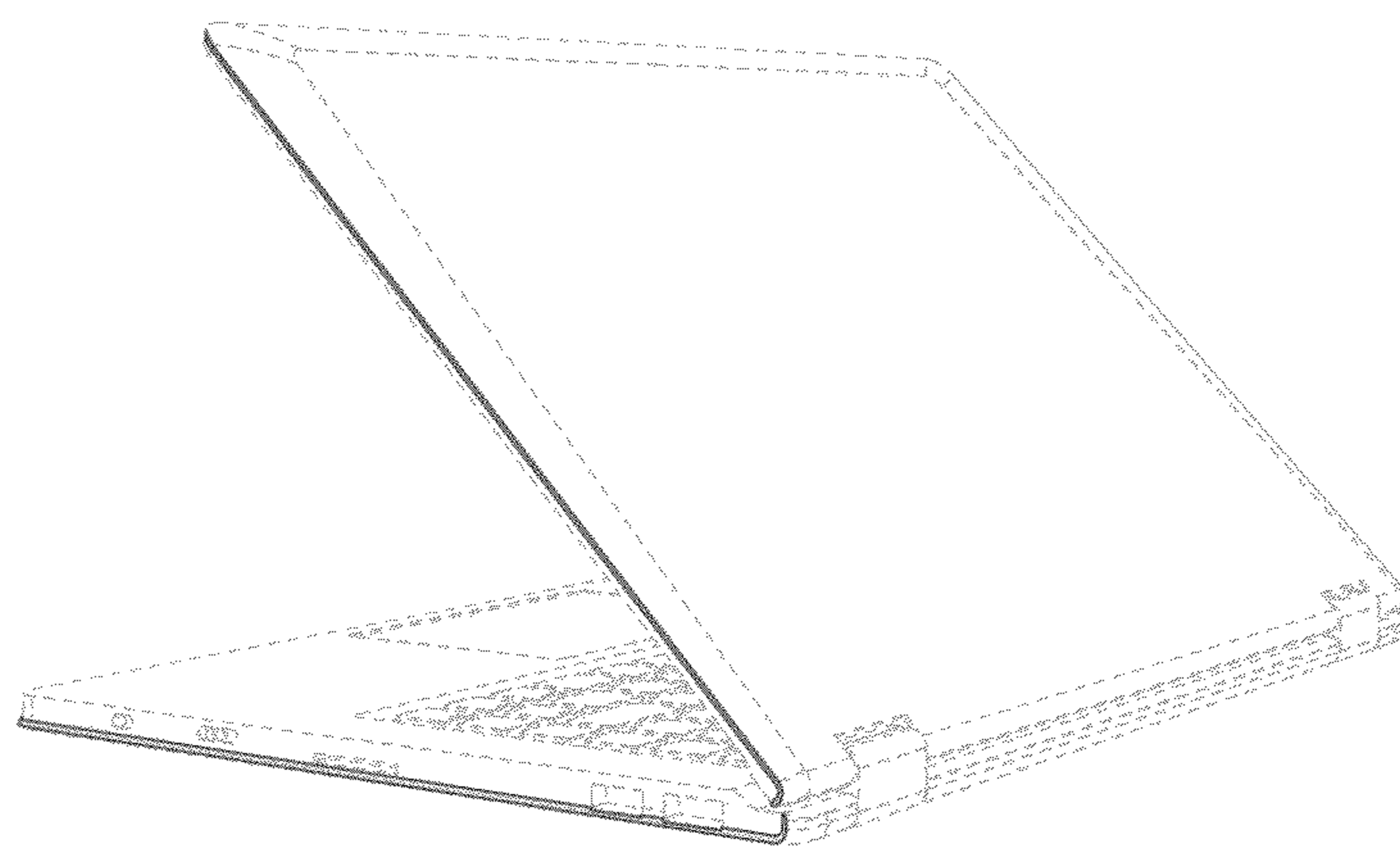


Fig. 19

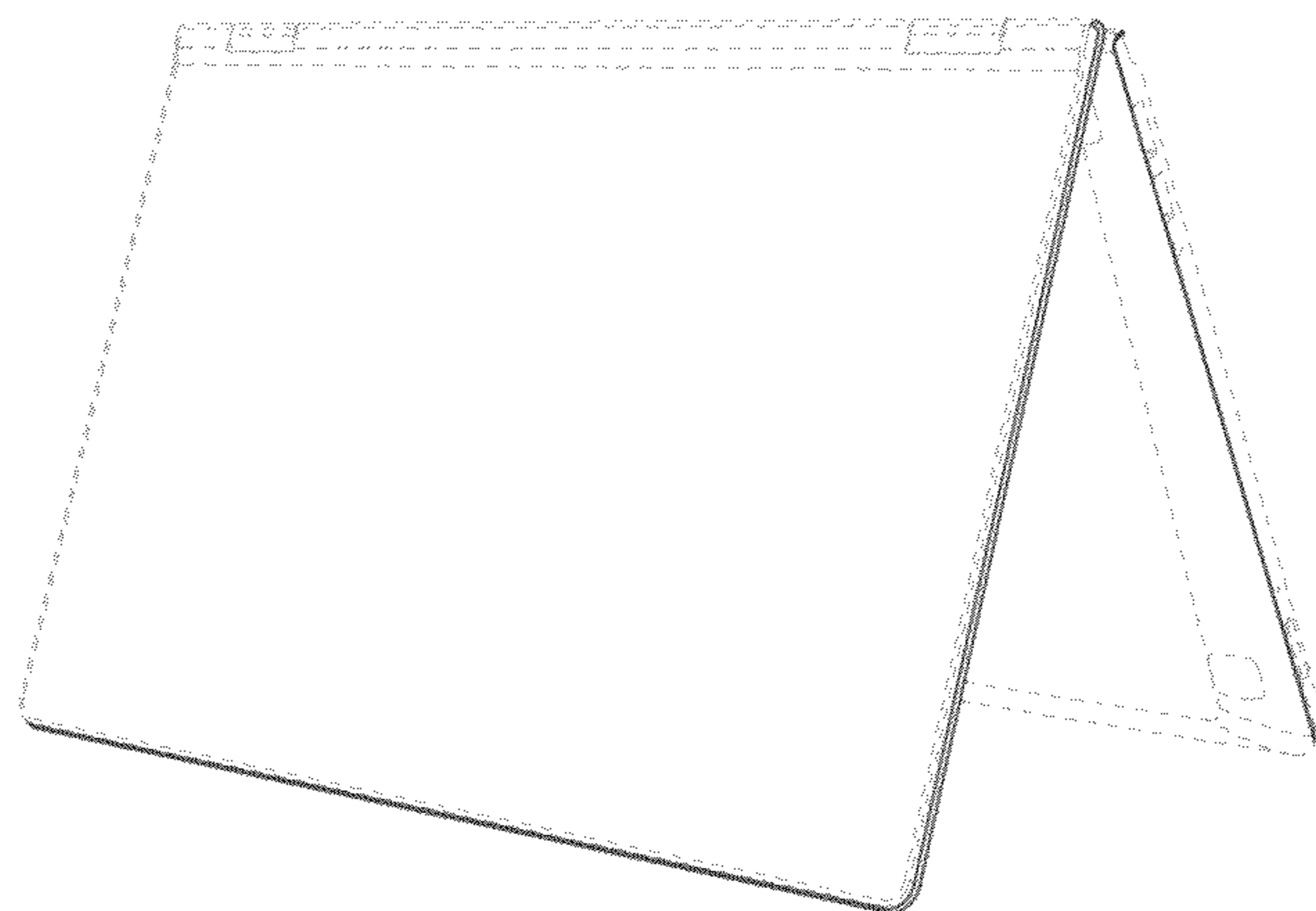


Fig. 20

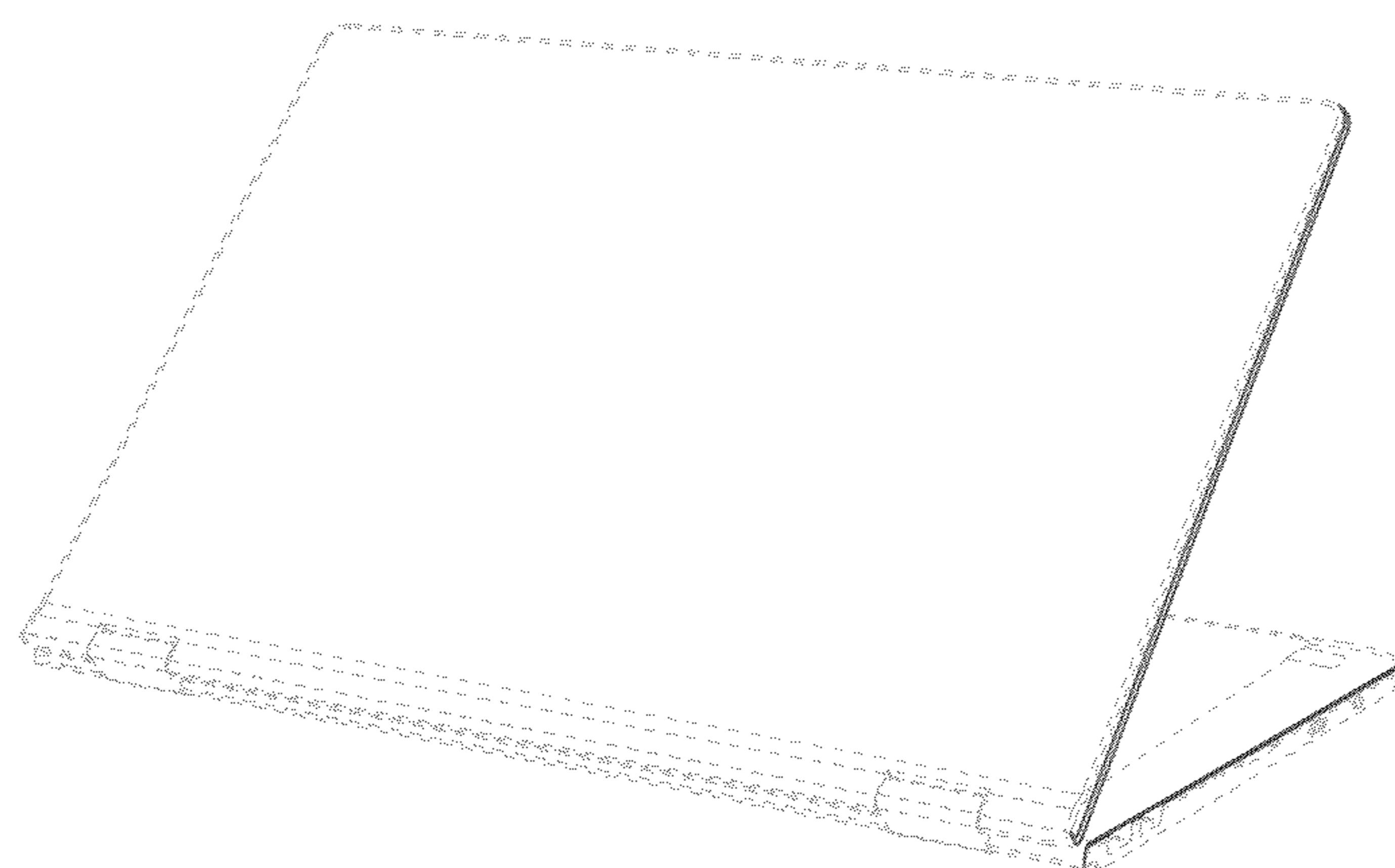


Fig. 21

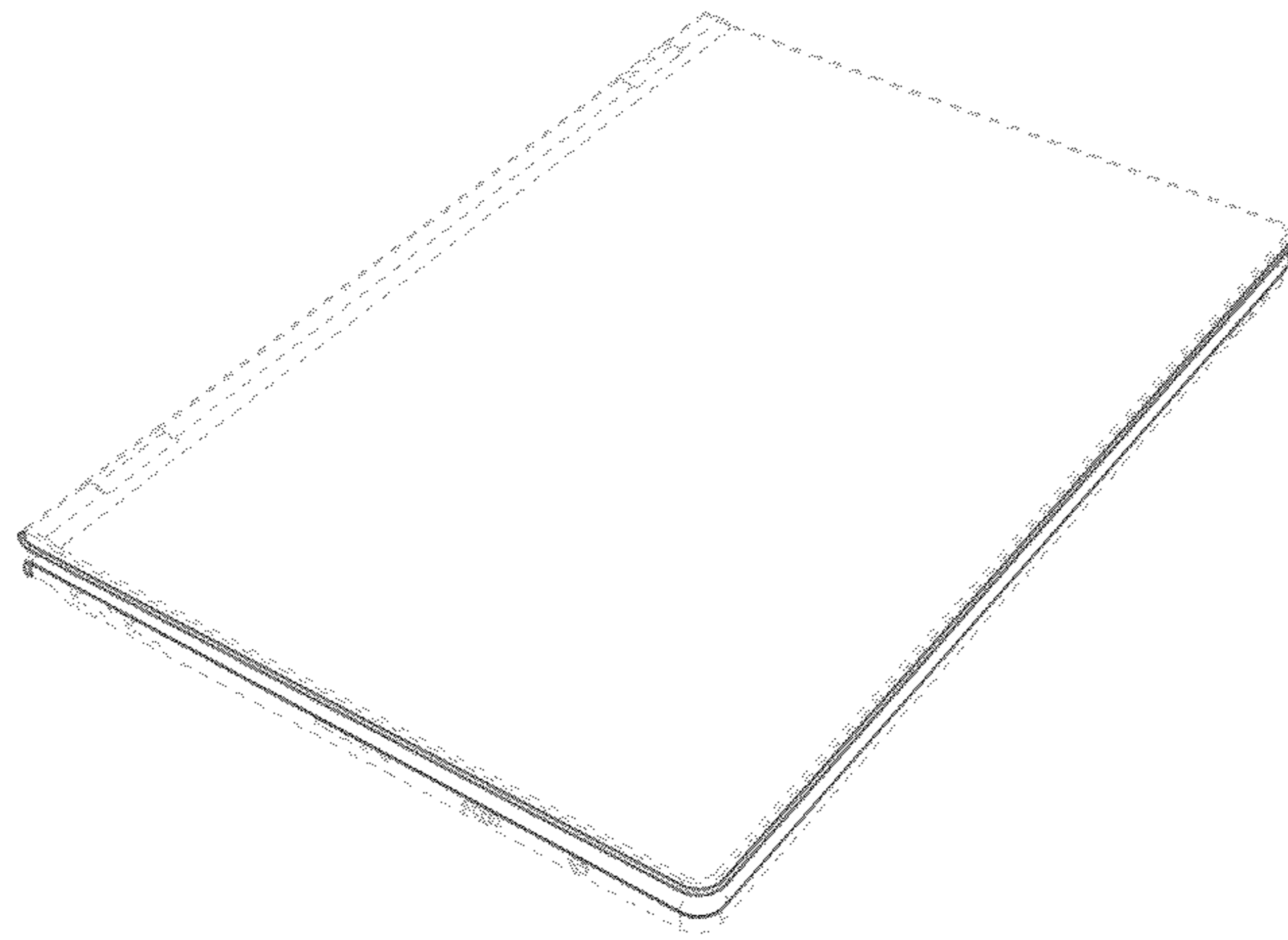


Fig. 22