



US00D703200S

(12) **United States Design Patent**
Chan et al.

(10) **Patent No.:** **US D703,200 S**
(45) **Date of Patent:** **** Apr. 22, 2014**

(54) **ELECTRONIC DEVICE**

(75) Inventors: **Hsiao-Ling Chan**, Taipei (TW);
Yung-Hsiang Chen, Taipei (TW); **Hsin Lu**, Taipei (TW); **Kun-Yen Liu**, Taipei (TW); **Wei-Chih Hsu**, Taipei (TW); **Chien-I Lin**, Taipei (TW)

(73) Assignee: **Compal Electronics, Inc.**, Taipei (TW)

(**) Term: **14 Years**

(21) Appl. No.: **29/422,666**

(22) Filed: **May 23, 2012**

(51) **LOC (10) Cl.** **14-02**

(52) **U.S. Cl.**
USPC **D14/315**

(58) **Field of Classification Search**
USPC D14/315-327; D18/1, 2, 7, 11;
235/145 A, 145 R; 341/22, 23; 345/104,
345/156, 168, 169, 173;
361/679.06-679.09, 679.11, 679.26,
361/679.27

See application file for complete search history.

(56) **References Cited**

U.S. PATENT DOCUMENTS

6,067,224 A * 5/2000 Nobuchi 361/679.27
6,480,373 B1 * 11/2002 Landry et al. 361/679.06
6,519,139 B2 * 2/2003 Kambayashi 361/679.09

D601,138 S * 9/2009 Solomon et al. D14/315
D602,023 S * 10/2009 Hirose D14/439
2011/0255727 A1 * 10/2011 Azuchi 381/333

* cited by examiner

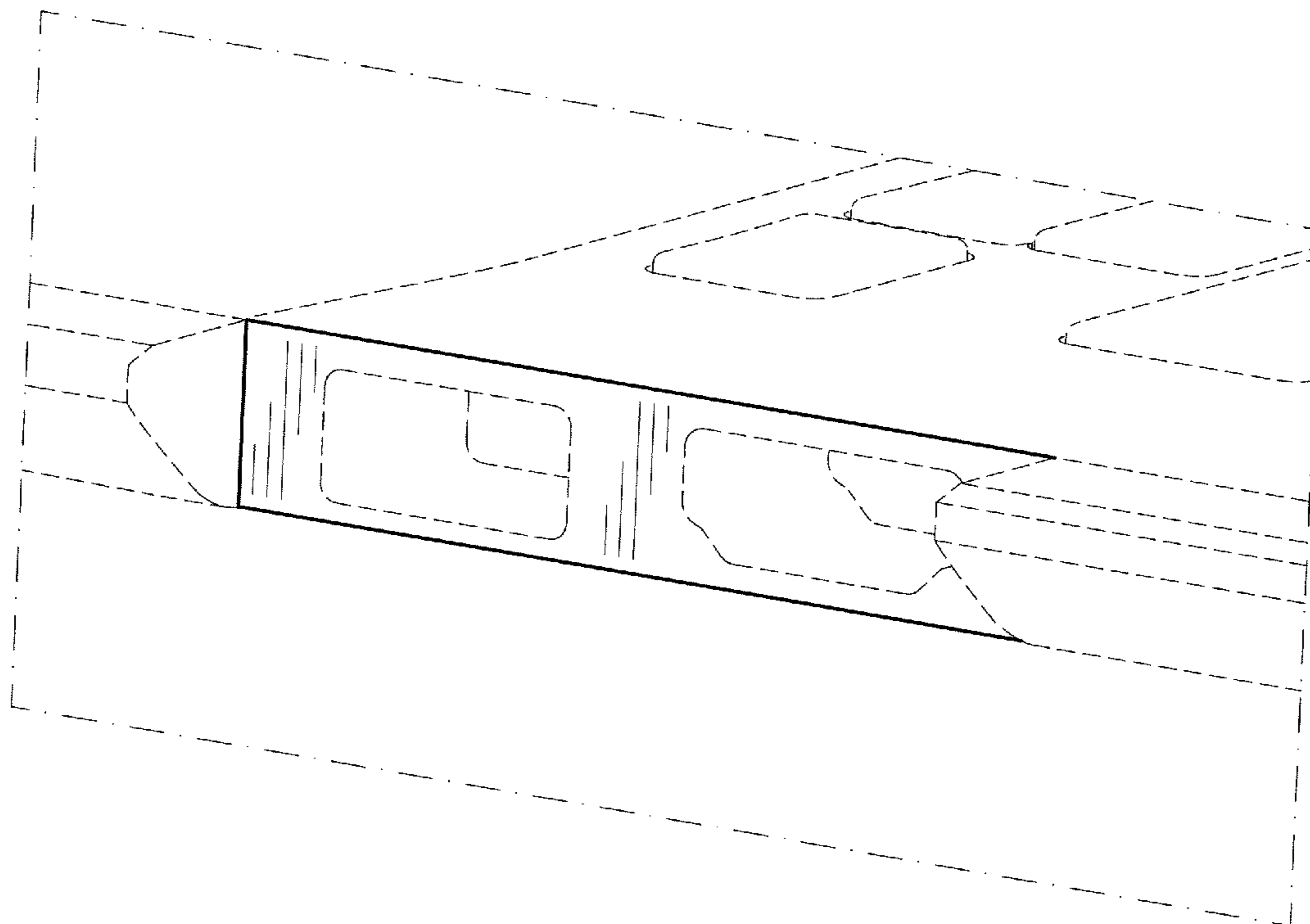
Primary Examiner — Freda S Nunn
(74) *Attorney, Agent, or Firm* — Jianq Chyun IP Office

(57) **CLAIM**
The ornamental design for an electronic device, as shown and described.

DESCRIPTION

FIG. 1 is a perspective view of an electronic device showing our new design;
FIG. 2 is a front view thereof;
FIG. 3 is a rear view thereof;
FIG. 4 is a left side view thereof;
FIG. 5 is a right side view thereof;
FIG. 6 is a top view thereof;
FIG. 7 is a bottom view thereof;
FIG. 8 is an enlarged view of an indicated portion of FIG. 1; and,
FIG. 9 is a perspective view thereof, shown in closed state. The enlarged view shows additional surface shading that is not shown in the other views for ease of illustration. The broken lines shown immediately adjacent to the full lines in the figures represent the bounds of the claimed design, while all other lines are directed to environment and form no part of the claimed design.

1 Claim, 9 Drawing Sheets



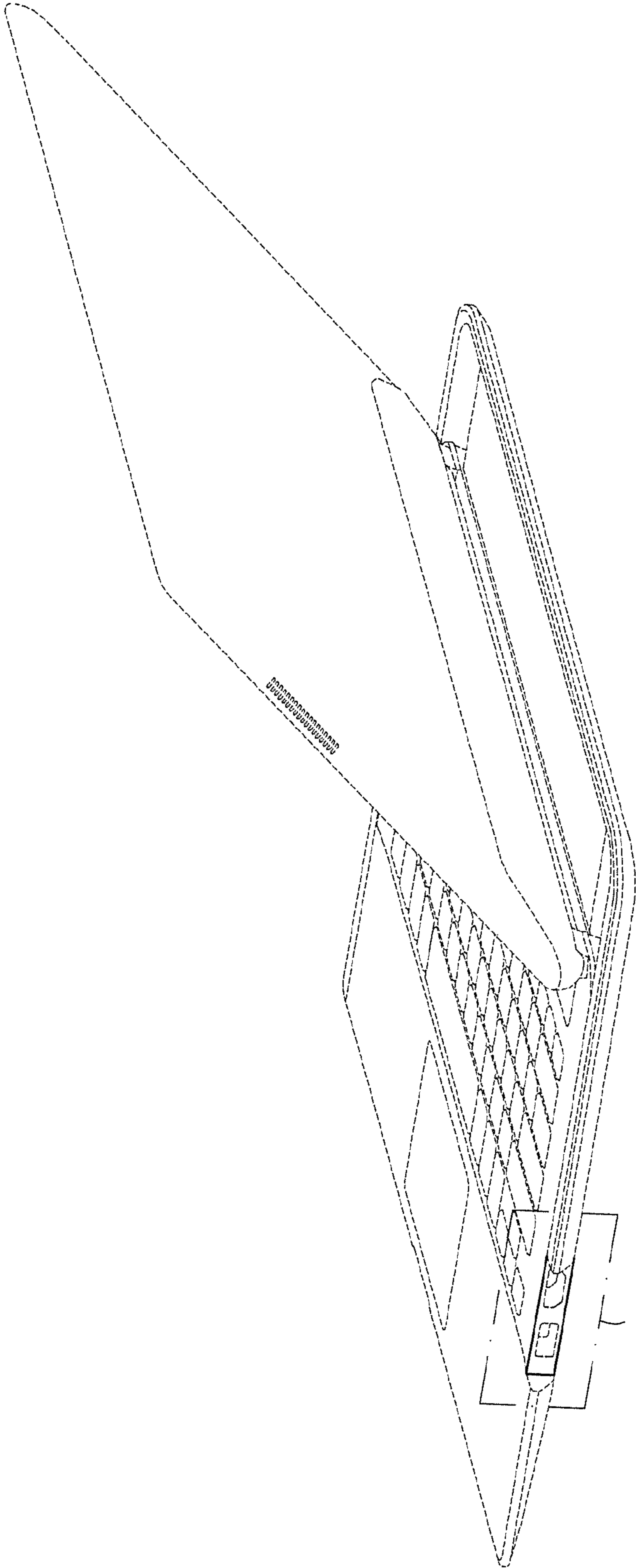


FIG. 1

FIG. 8

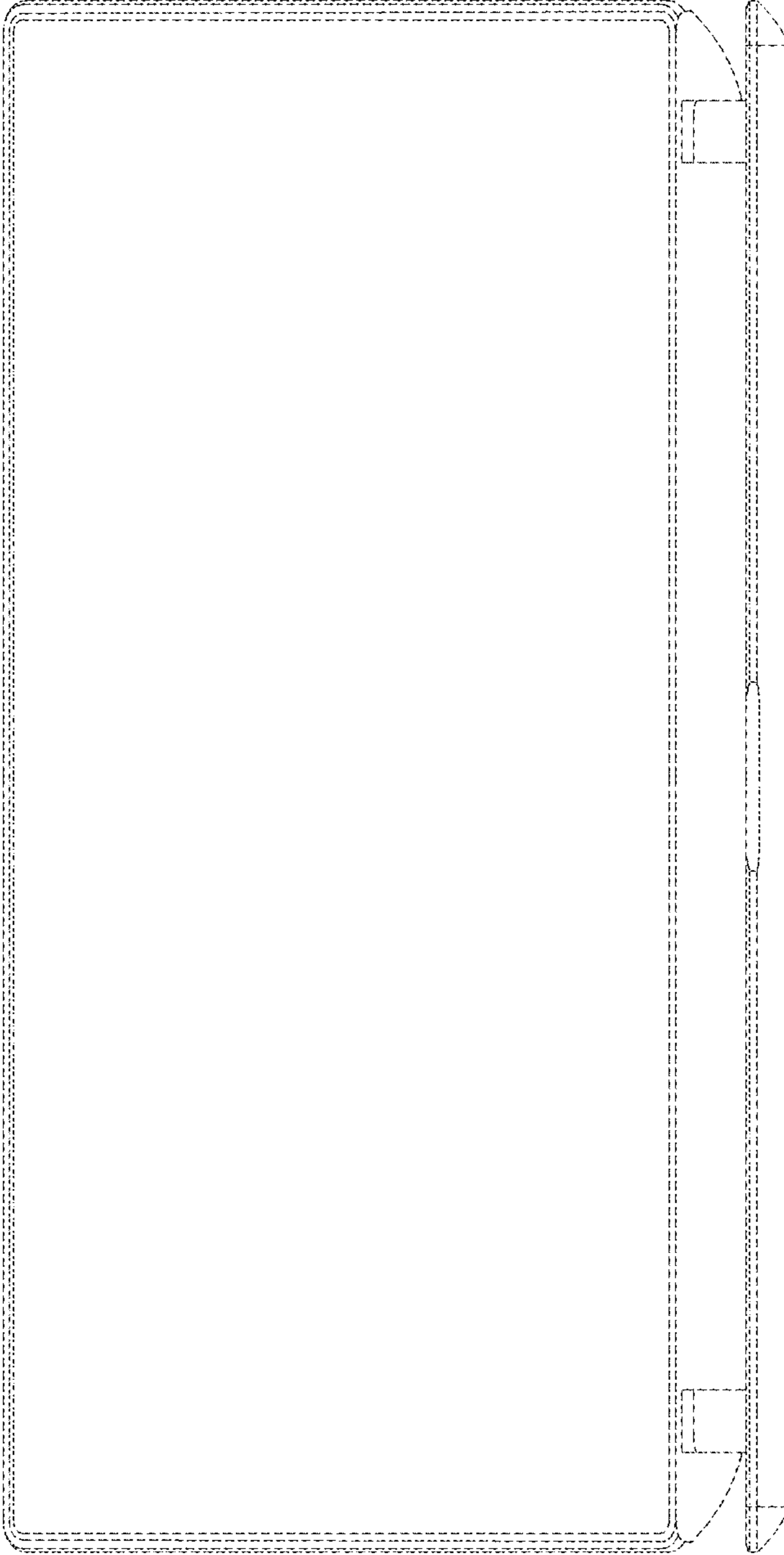


FIG. 2

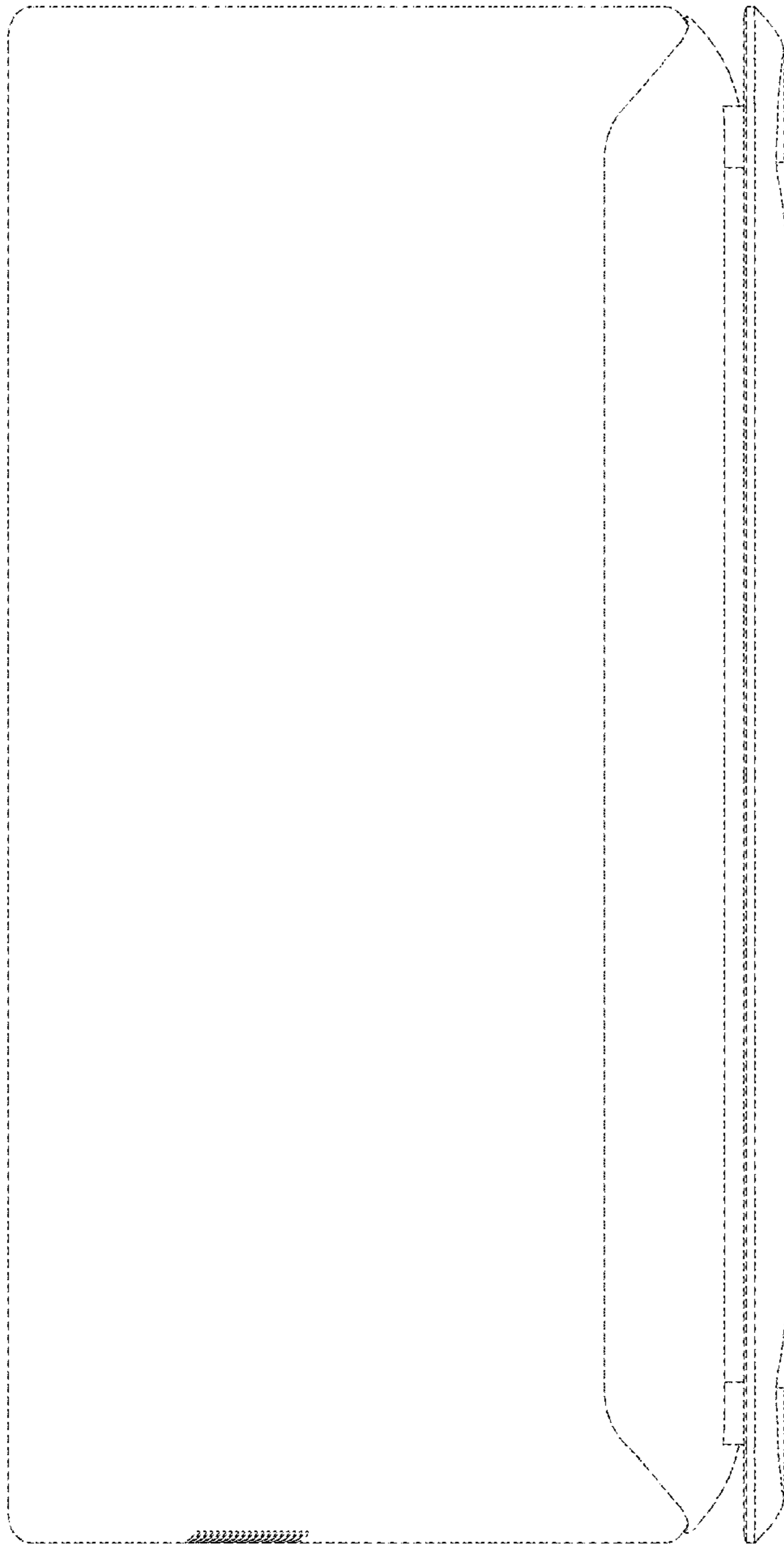


FIG. 3

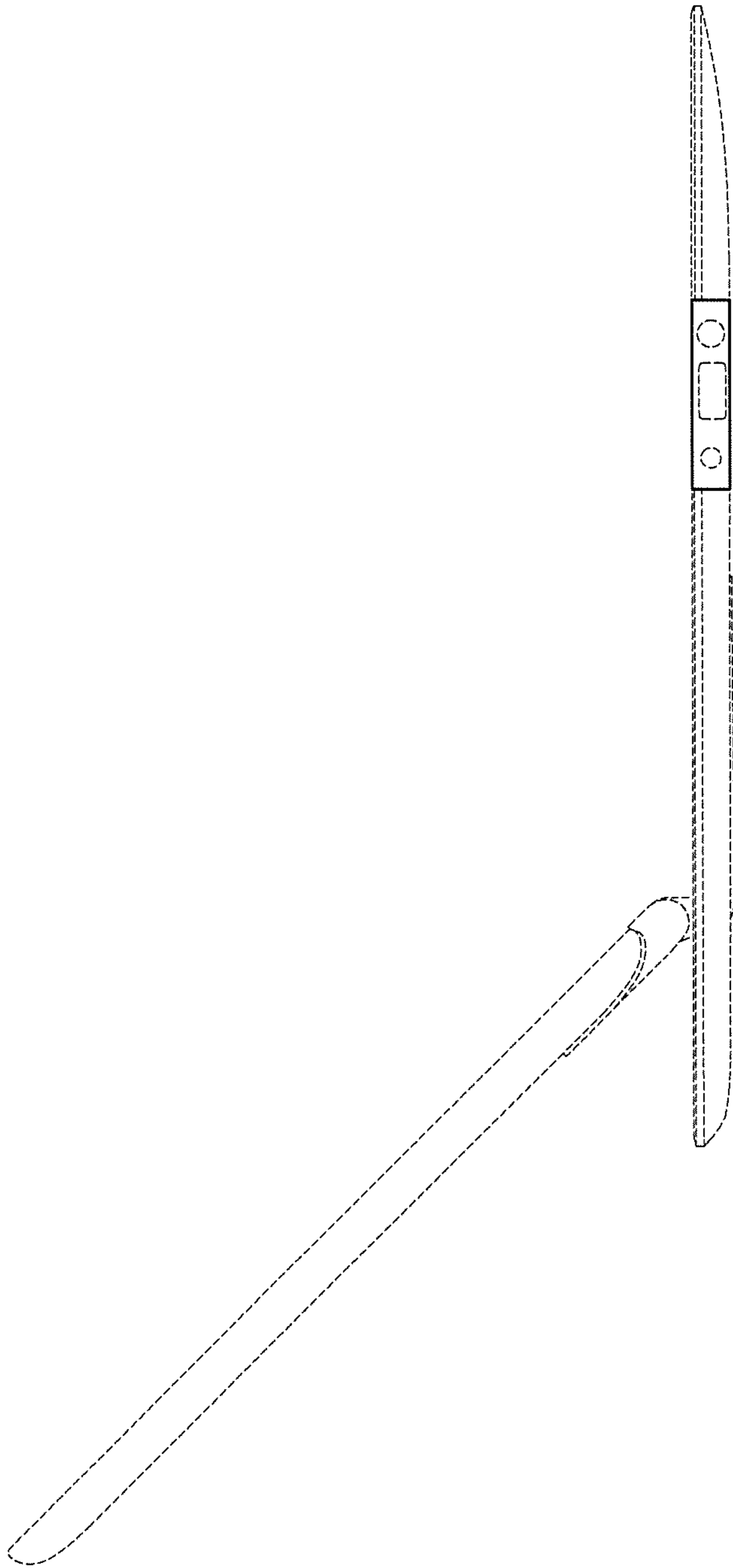


FIG. 4

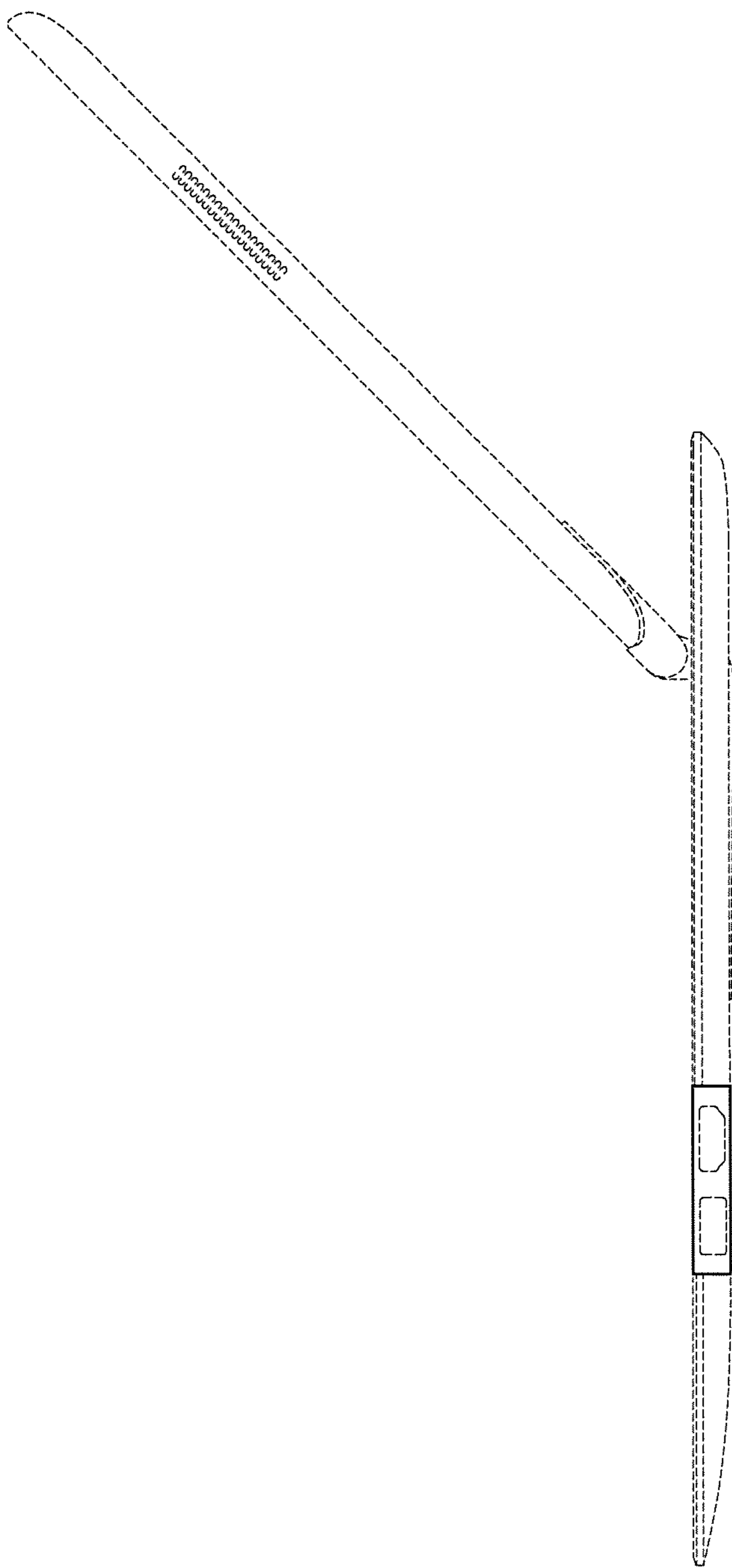


FIG. 5

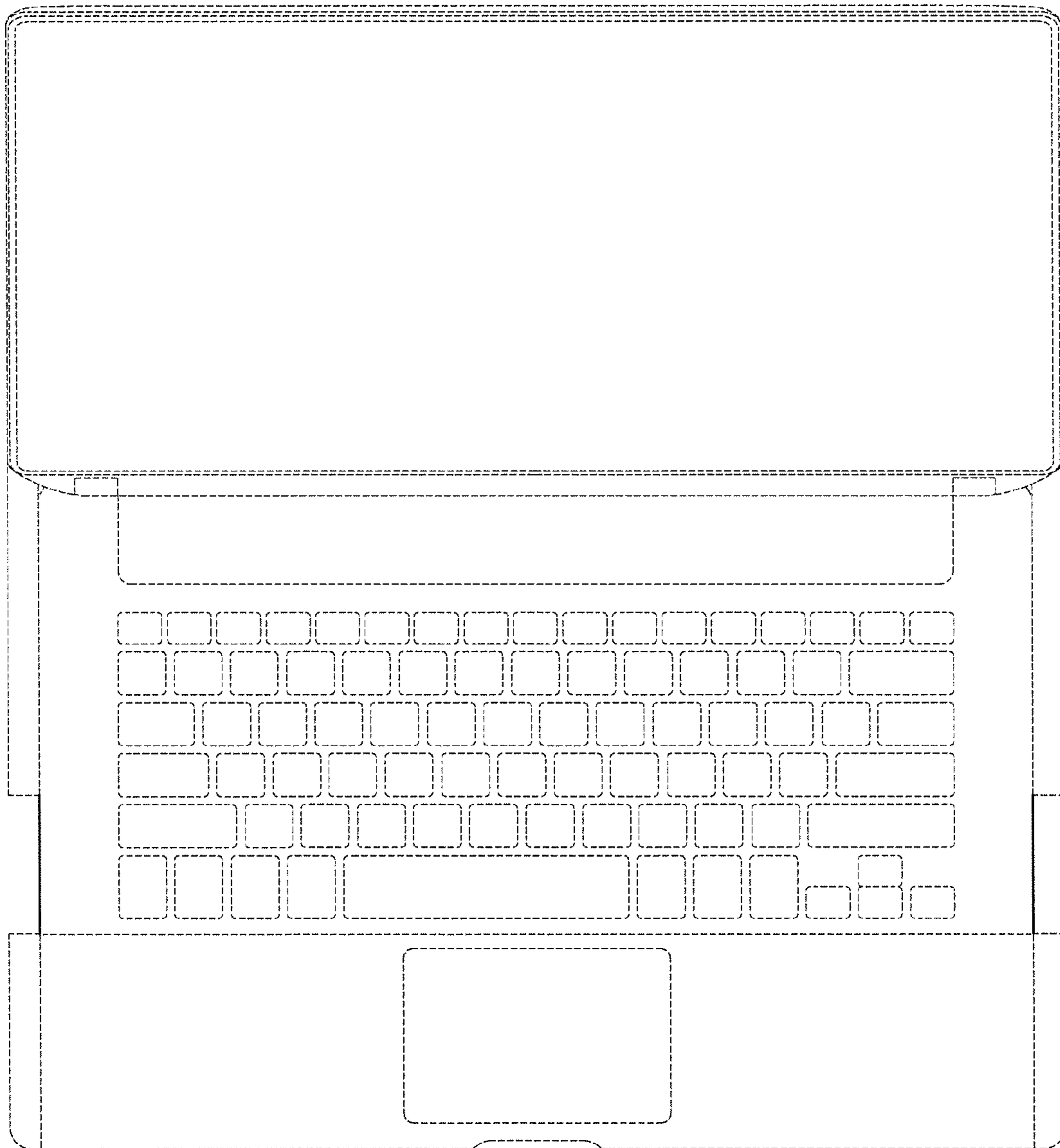


FIG. 6

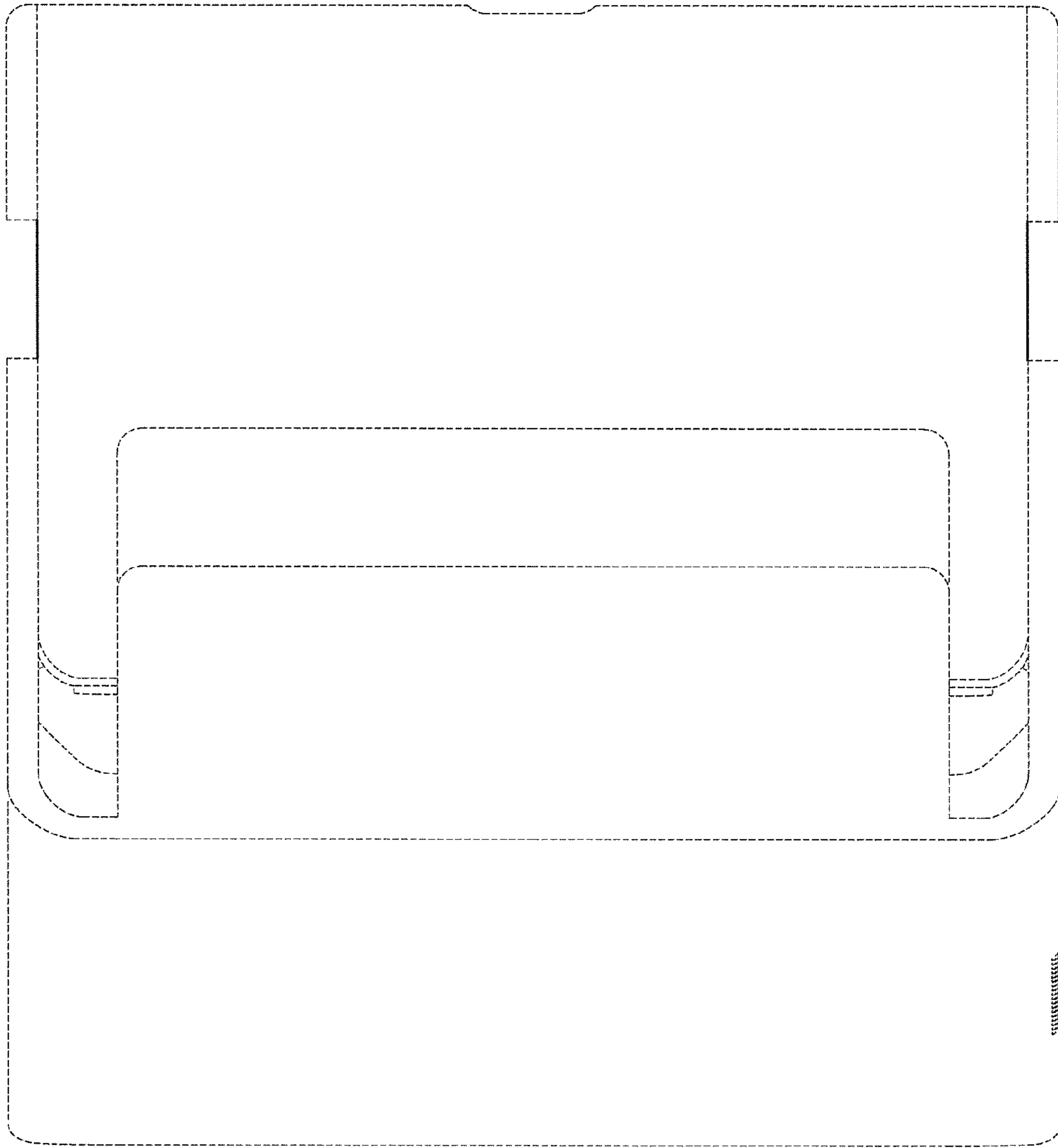


FIG. 7

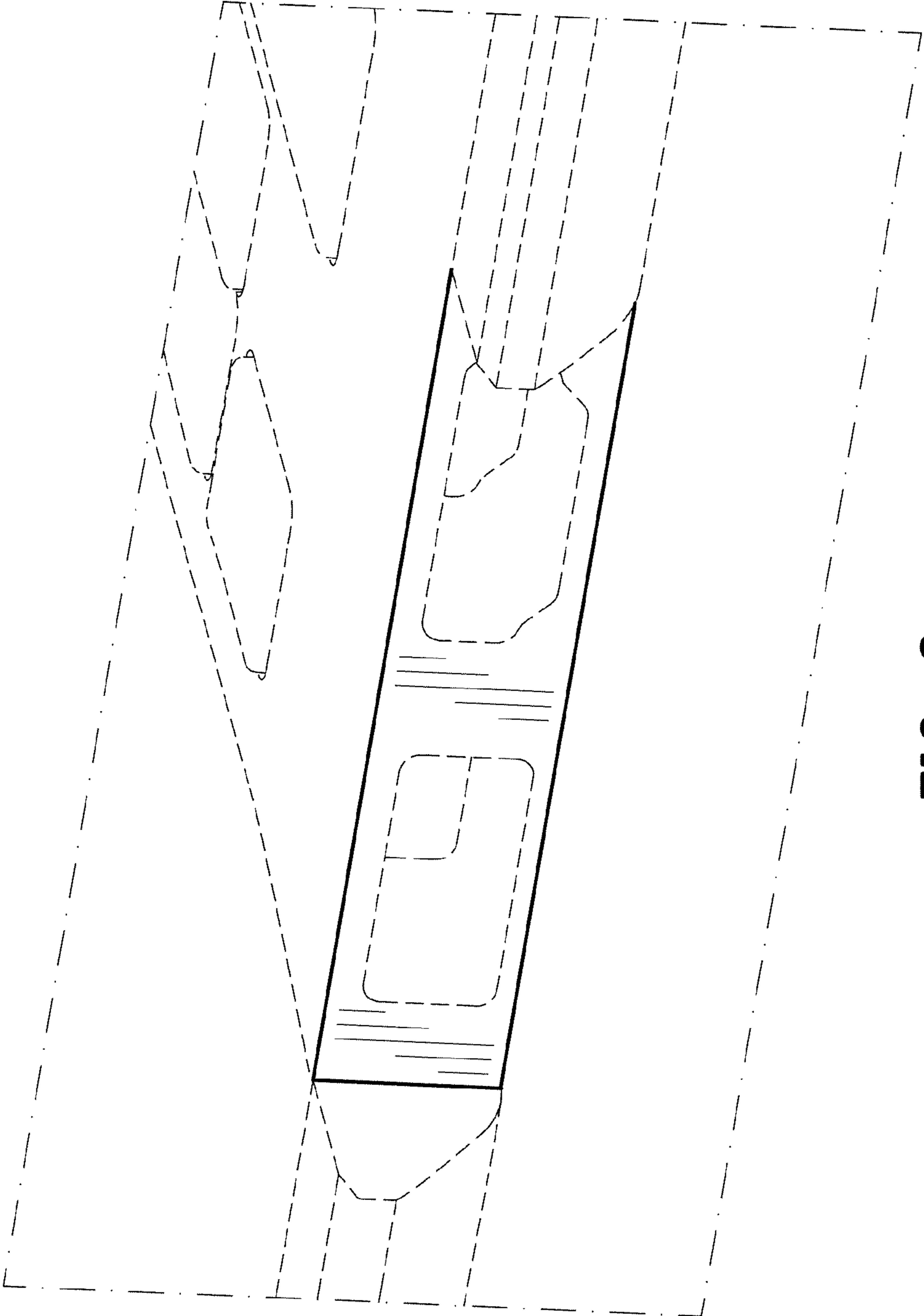


FIG. 8

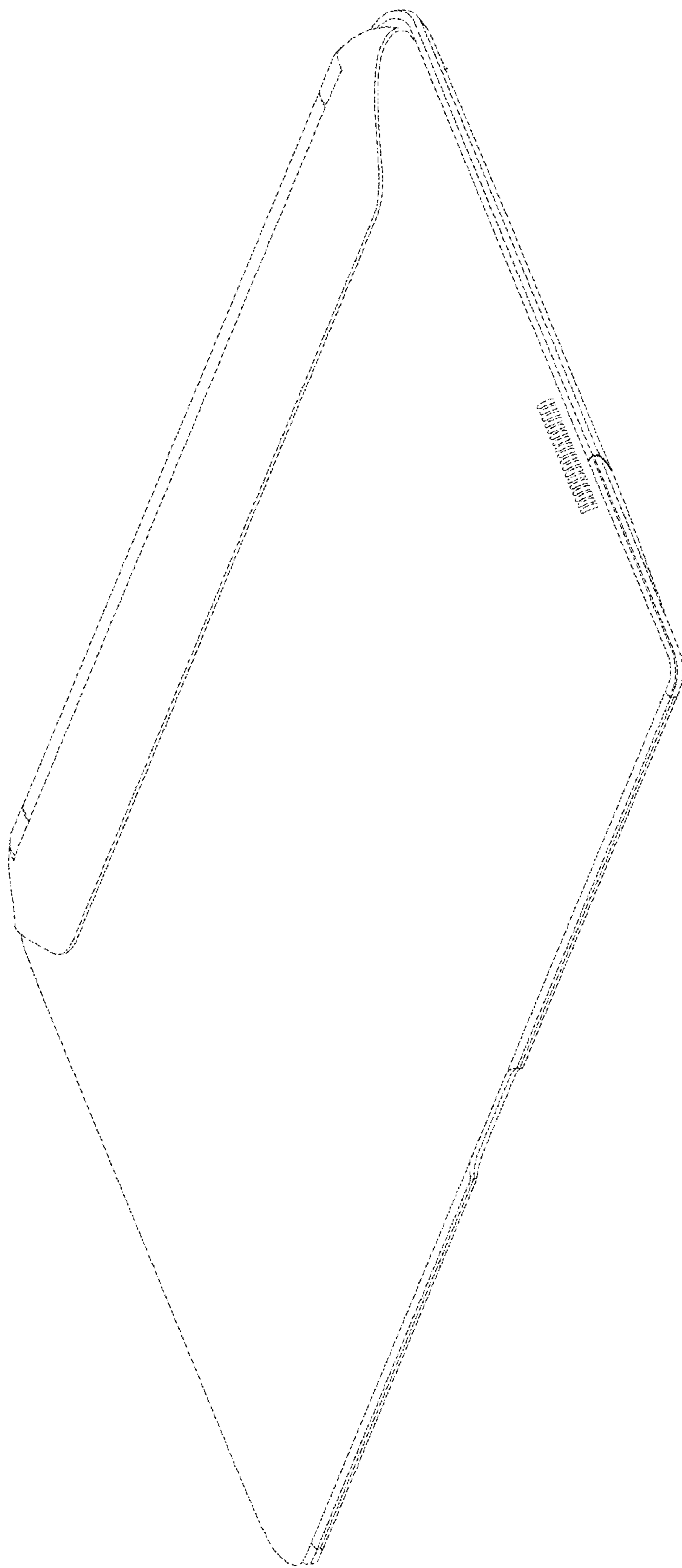


FIG. 9