



US00D703198S

(12) **United States Design Patent**
Simmer

(10) **Patent No.:** **US D703,198 S**
(45) **Date of Patent:** **** Apr. 22, 2014**

(54) **CASE FOR ELECTRONIC DEVICE**

(75) Inventor: **Garrett Paul Simmer**, Atlanta, GA (US)

(73) Assignee: **Case-Mate, Inc.**, Tucker, GA (US)

(**) Term: **14 Years**

(21) Appl. No.: **29/406,050**

(22) Filed: **Nov. 9, 2011**

(51) **LOC (10) Cl.** **14-03**

(52) **U.S. Cl.**
USPC **D14/250**

(58) **Field of Classification Search**

USPC D14/250–253, 440, 203.3–203.7, 217,
D14/496, 248, 238.1, 240, 447, 138 AA;
D3/201, 218, 269, 301, 273, 303, 103,
D3/247; D13/103, 107–108, 119;
220/4.02; 248/309.1, 371, 176.3, 668;
361/679.56, 679.3, 679.25, 816;
379/426, 433.11, 455; 455/575.1,
455/575.8; 206/305, 320; 345/173

See application file for complete search history.

(56) **References Cited**

U.S. PATENT DOCUMENTS

5,648,757	A *	7/1997	Vernace et al.	340/539.32
D516,554	S *	3/2006	Richardson et al.	D14/341
7,158,376	B2	1/2007	Richardson et al.		
D582,149	S	12/2008	Tan		
D600,908	S	9/2009	Richardson et al.		
7,609,512	B2	10/2009	Richardson et al.		
D613,282	S	4/2010	Richardson et al.		
D615,535	S	5/2010	Richardson et al.		
D615,536	S	5/2010	Richardson et al.		
D617,784	S	6/2010	Richardson et al.		
D617,785	S	6/2010	Richardson et al.		
D619,574	S	7/2010	Richardson et al.		

D634,741	S	3/2011	Richardson et al.		
D636,362	S *	4/2011	Veiga et al.	D14/138 G
D636,386	S	4/2011	Richardson et al.		
7,933,122	B2	4/2011	Richardson et al.		
D637,592	S *	5/2011	Magness et al.	D14/250
D638,005	S	5/2011	Richardson et al.		
7,938,260	B2 *	5/2011	Lin	206/320
D641,013	S	7/2011	Richardson et al.		
D642,170	S	7/2011	Johnson et al.		
D651,203	S	12/2011	Michie et al.		

* cited by examiner

Primary Examiner — Randall Gholson

(74) *Attorney, Agent, or Firm* — Gardner Groff Greenwald & Villanueva, PC

(57) **CLAIM**

the ornamental design for a case for an electronic device, substantially as shown and described.

DESCRIPTION

FIGS. 1 and 2 are backside perspective views of a case for an electronic device.

FIG. 3 is a left side view of the case for an electronic device shown in FIG. 1.

FIG. 4 is a front view of the case for an electronic device shown in FIG. 1.

FIG. 5 is a right side view of the case for an electronic device shown in FIG. 1.

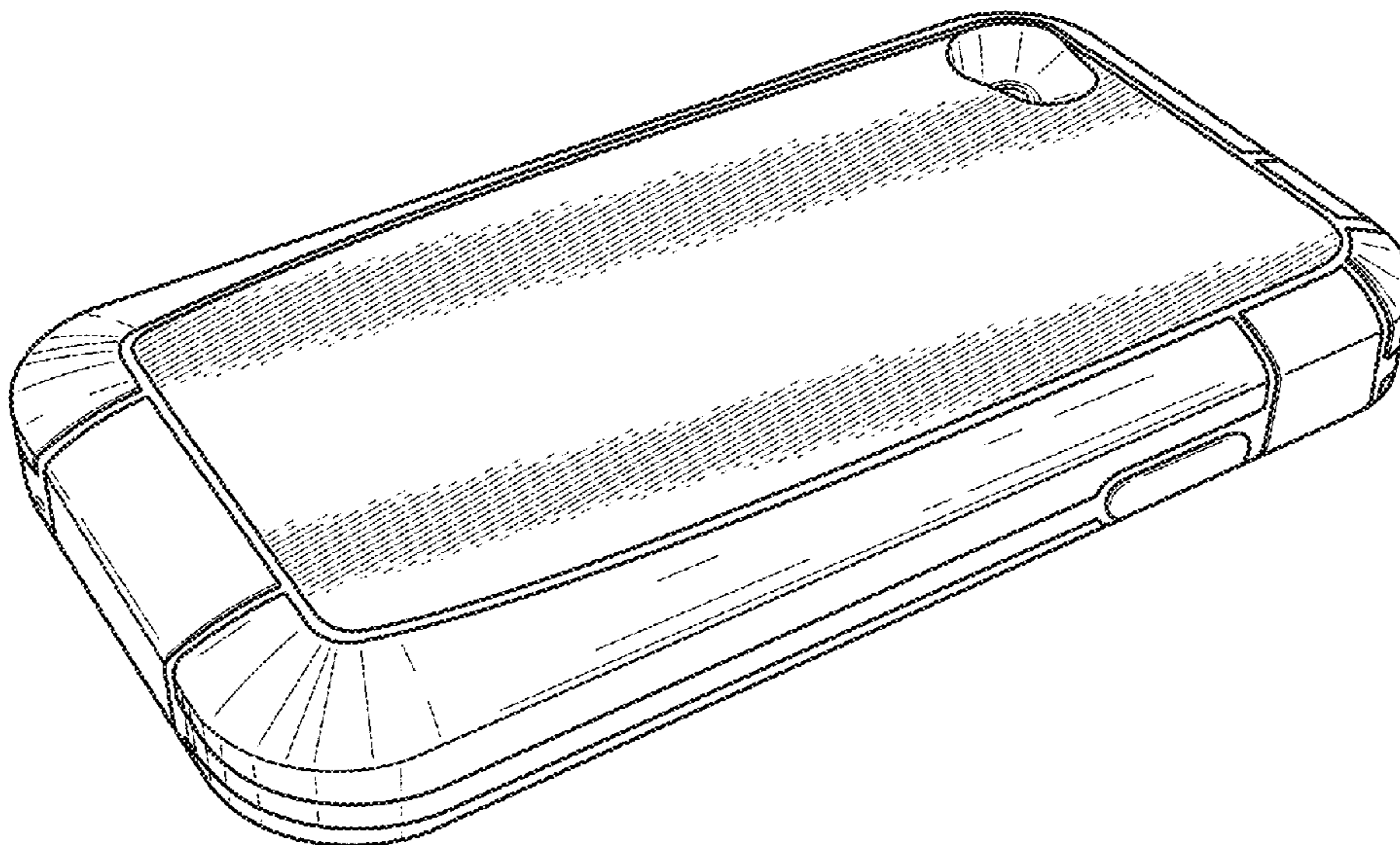
FIG. 6 is a back side view of the case for an electronic device shown in FIG. 1.

FIG. 7 is a top view of the case for an electronic device shown in FIG. 1; and,

FIG. 8 is a bottom view of the case for an electronic device shown in FIG. 1.

Portions shown in broken lines are for illustrative purposes only and form no part of the claimed design.

1 Claim, 3 Drawing Sheets



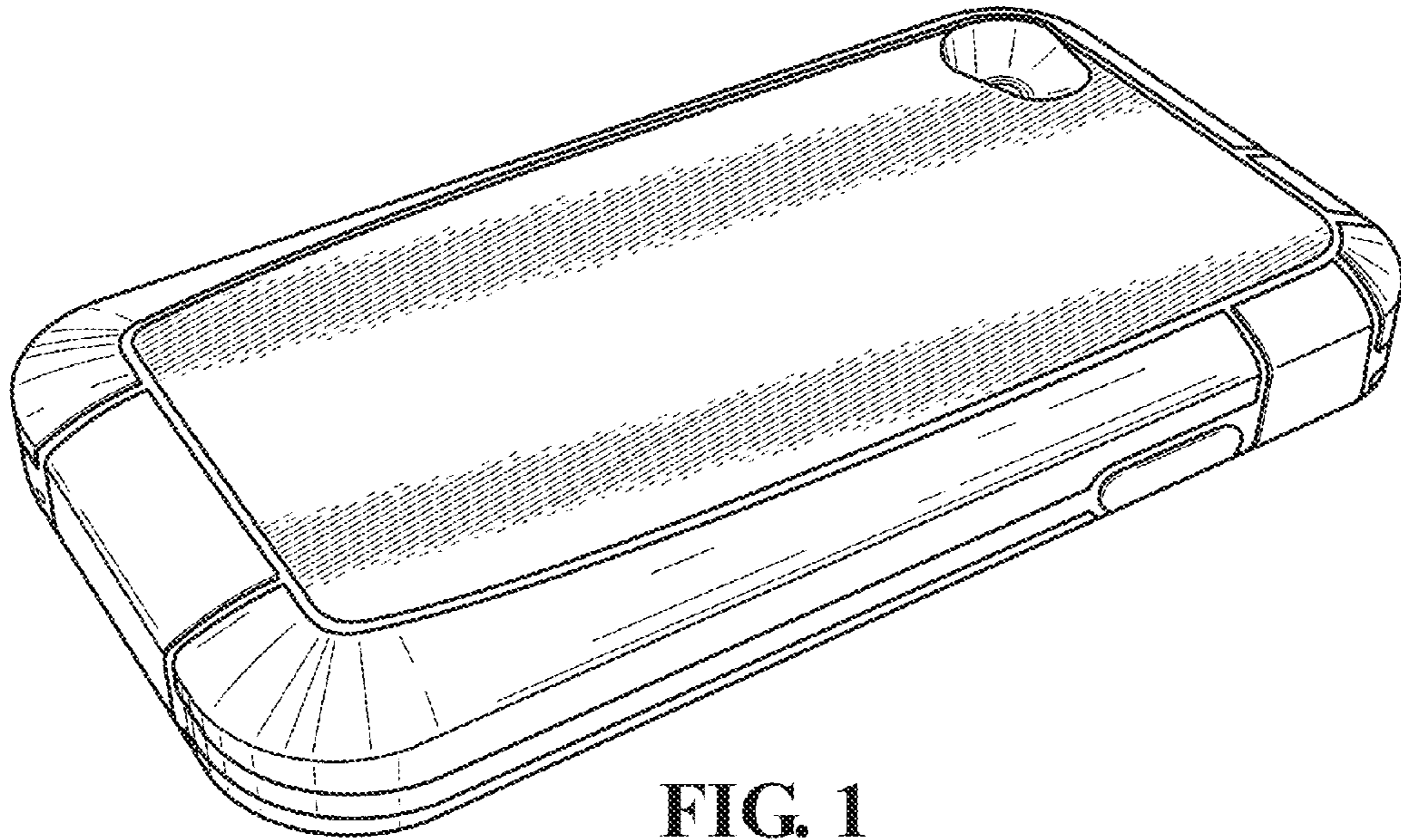


FIG. 1

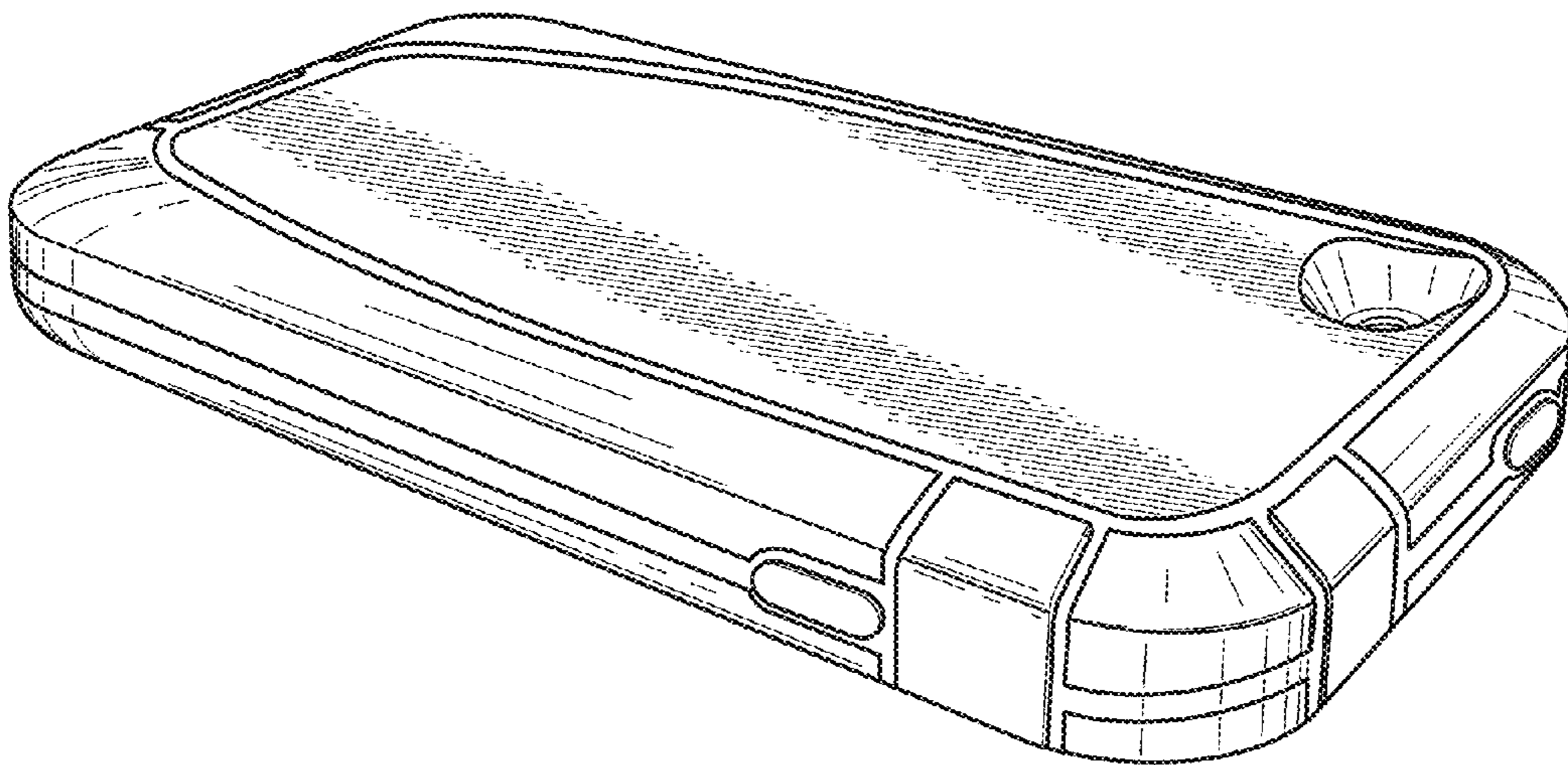


FIG. 2



FIG. 5

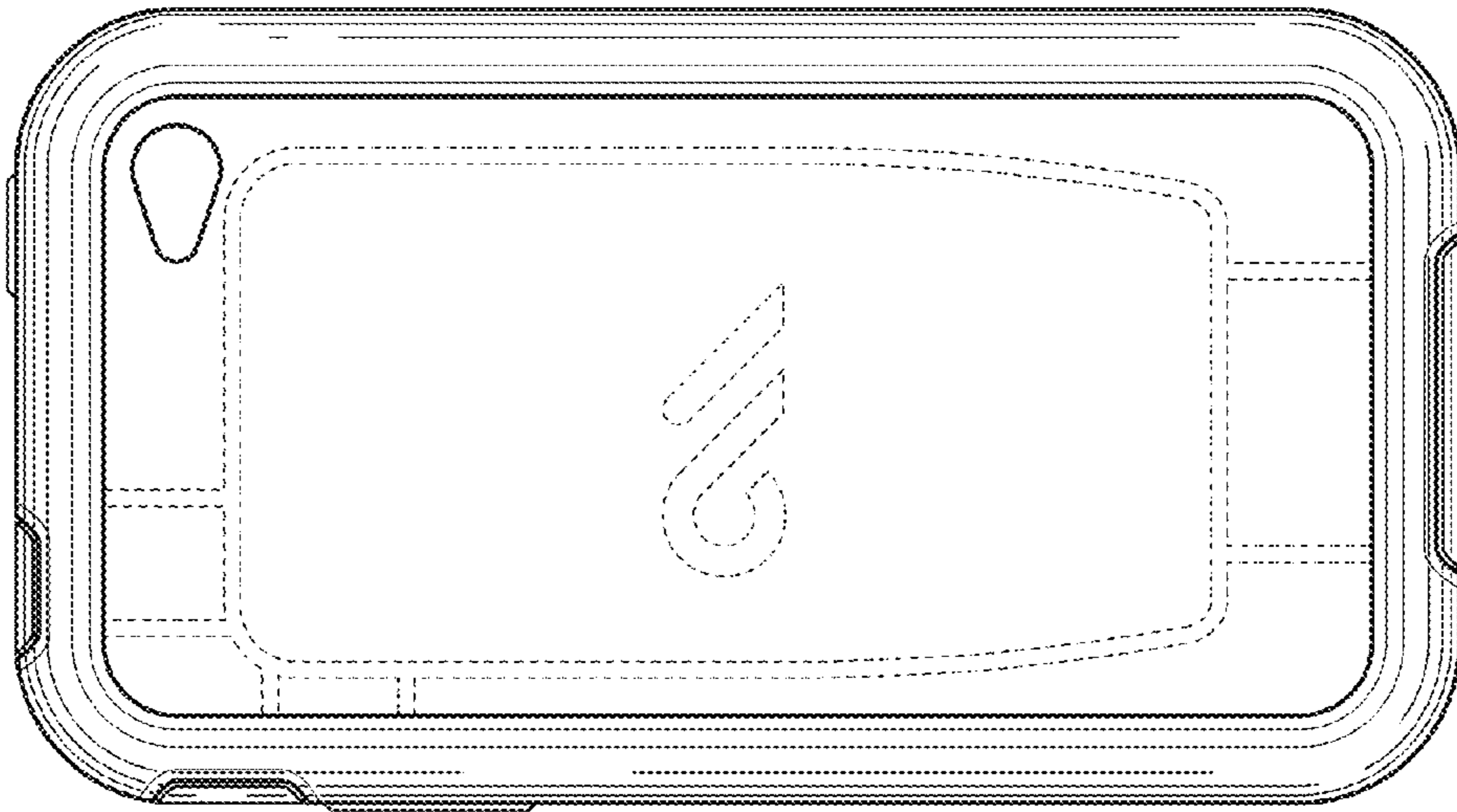


FIG. 4

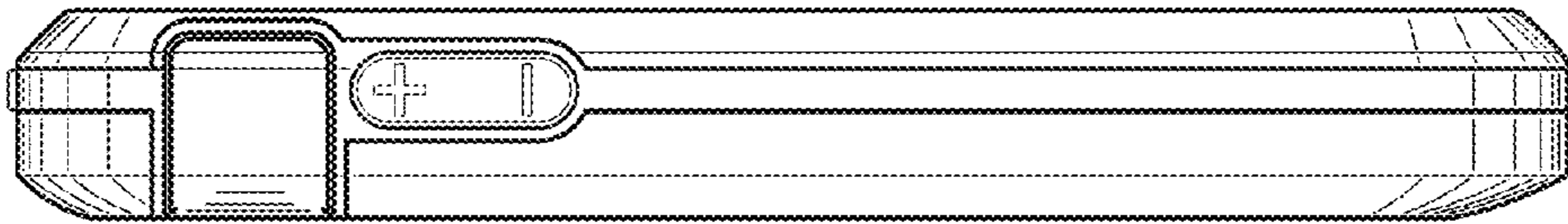


FIG. 3

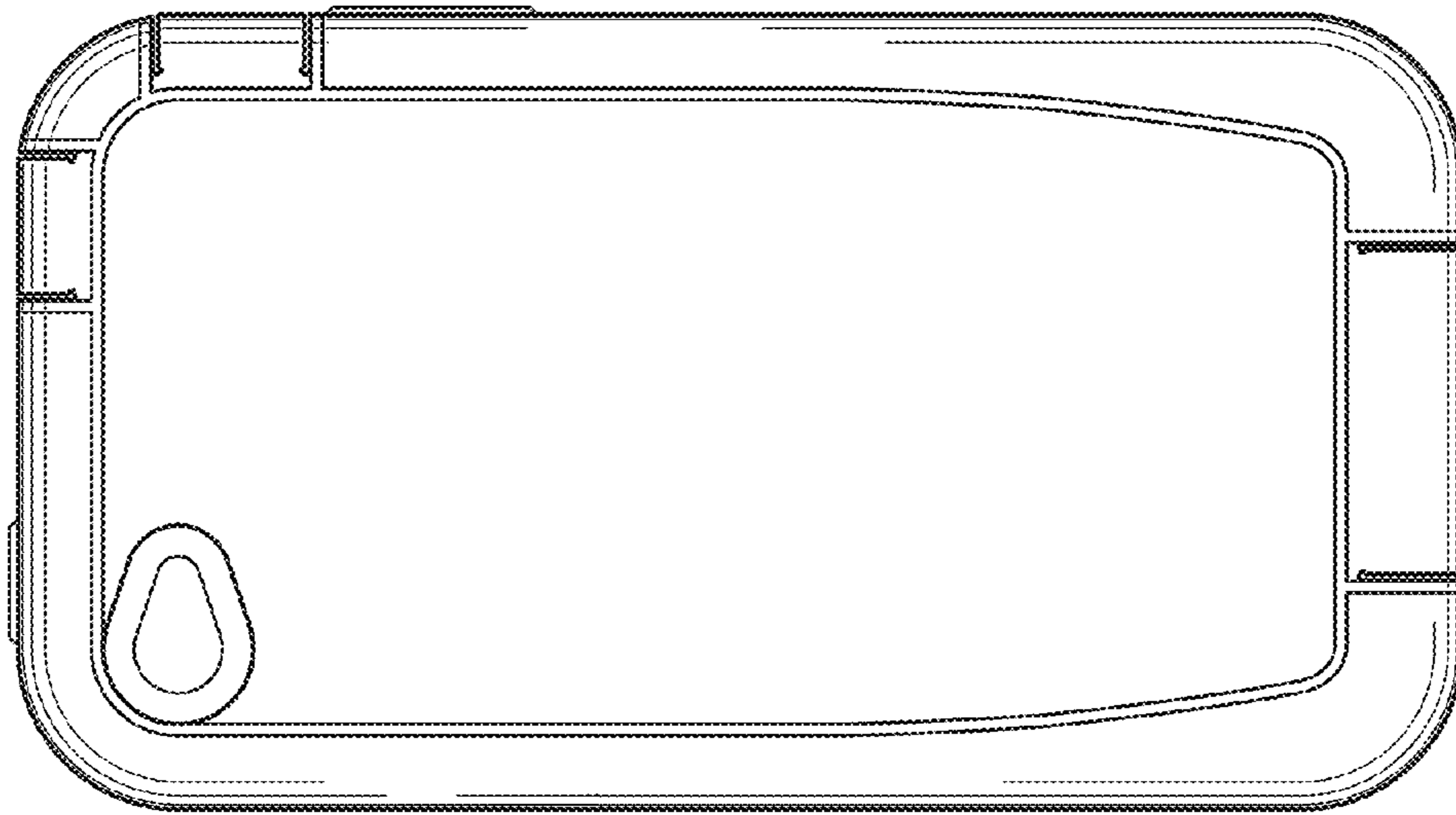


FIG. 6

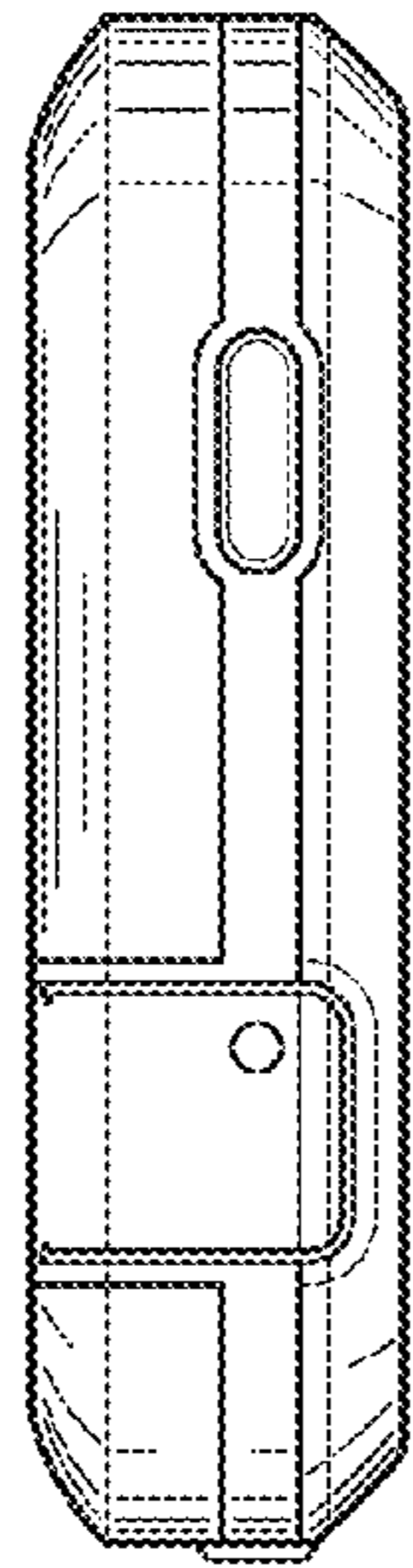


FIG. 7

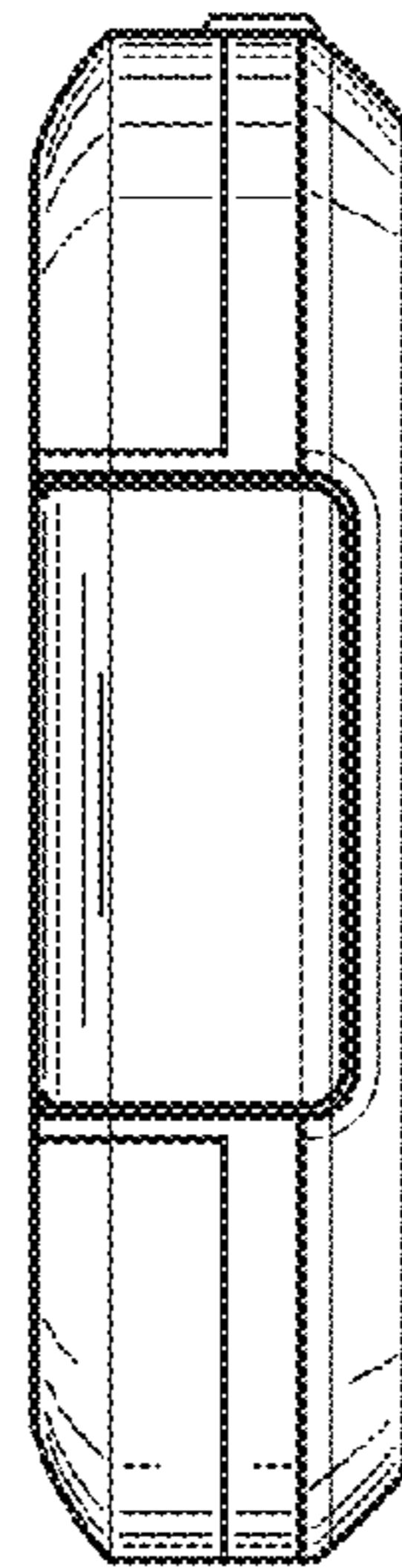


FIG. 8