



US00D703196S

(12) **United States Design Patent**
Zheng

(10) **Patent No.:** **US D703,196 S**
(45) **Date of Patent:** **** Apr. 22, 2014**

(54) **ANTENNA**
(71) Applicant: **Airgain, Inc.**, Carlsbad, CA (US)
(72) Inventor: **Bei Zheng**, Zhang Jia Gang (CN)
(73) Assignee: **Airgain, Inc.**, Carlsbad, CA (US)
(**) Term: **14 Years**
(21) Appl. No.: **29/472,587**

(22) Filed: **Nov. 13, 2013**
(51) **LOC (10) Cl.** **14-03**
(52) **U.S. Cl.**
USPC **D14/230**
(58) **Field of Classification Search**
USPC D14/138, 230–238, 299, 358; D12/42,
D12/43; 343/700 MS, 700 R–705, 711–713,
343/735, 736, 741, 748, 767, 795, 819, 840,
343/846, 866, 871–908; 455/90.2, 90.3, 91,
455/128, 269, 344, 347, 562.1; 333/193,
333/195
See application file for complete search history.

(56) **References Cited**

U.S. PATENT DOCUMENTS

7,333,067 B2 * 2/2008 Hung et al. 343/770
7,405,704 B1 * 7/2008 Lin et al. 343/702
D599,334 S * 9/2009 Chiang D14/230
7,705,783 B2 * 4/2010 Rao et al. 343/700 MS
D621,819 S * 8/2010 Tsai et al. D14/230
D635,560 S * 4/2011 Tsai et al. D14/230
D635,964 S * 4/2011 Poddaturi D14/230

D684,565 S * 6/2013 Wei D14/230
D685,352 S * 7/2013 Wei D14/230
D694,738 S * 12/2013 Yang D14/230
D695,280 S * 12/2013 Yang et al. D14/230
2005/0073462 A1 * 4/2005 Lin et al. 343/702
2007/0030203 A1 * 2/2007 Tsai et al. 343/702
2008/0150829 A1 * 6/2008 Lin et al. 343/860
2009/0058739 A1 * 3/2009 Konishi 343/702
2009/0135072 A1 * 5/2009 Ke et al. 343/700 MS
2012/0229348 A1 * 9/2012 Chiang 343/702
2012/0242546 A1 * 9/2012 Hu et al. 343/700 MS

* cited by examiner

Primary Examiner — John Windmuller

(74) *Attorney, Agent, or Firm* — Clause Eight IPS; Michael Catania

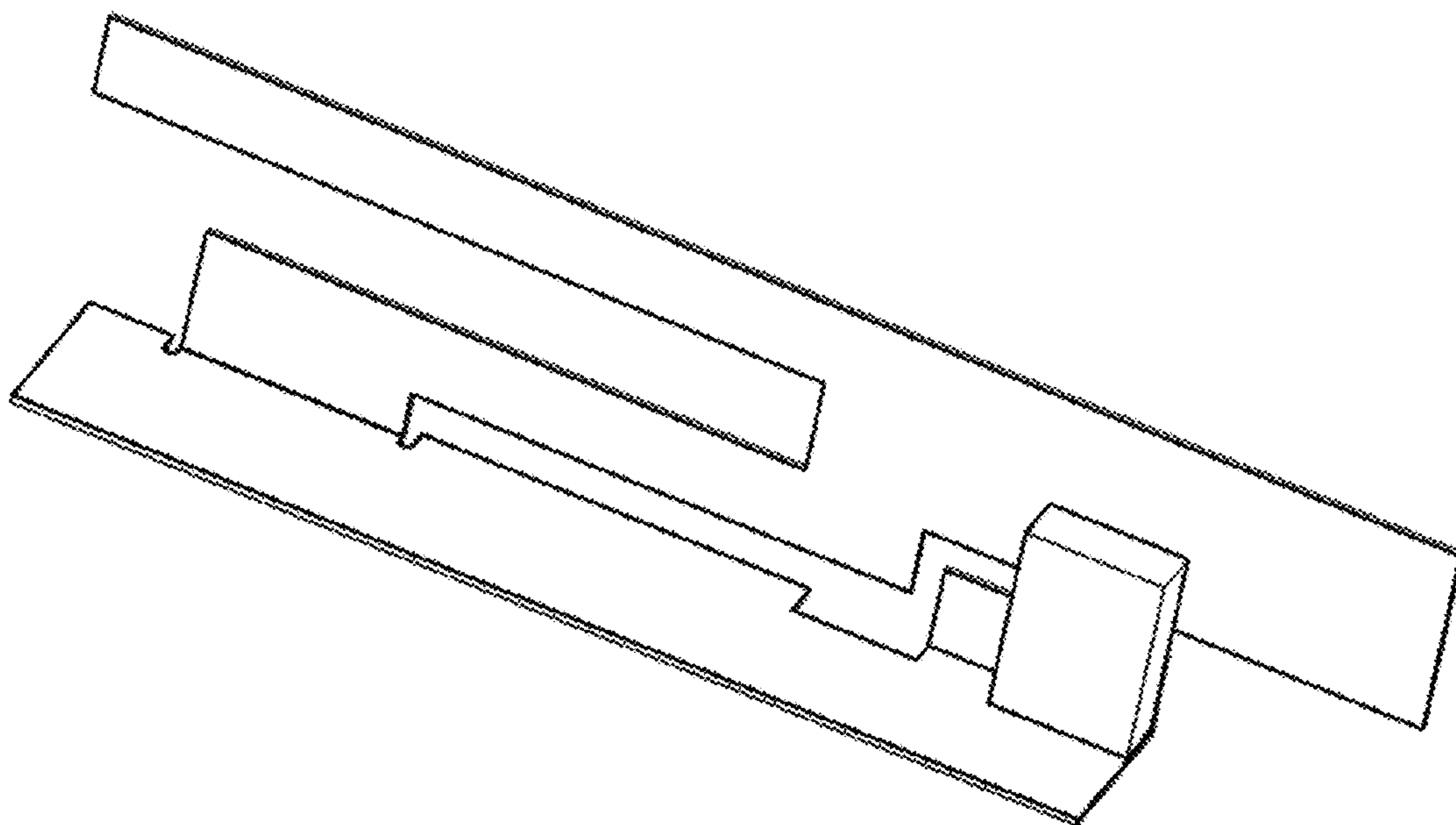
(57) **CLAIM**

The ornamental design for an antenna, as shown and described.

DESCRIPTION

FIG. 1 is a front elevational view of an antenna.
FIG. 2 is a rear elevational view of the antenna of FIG. 1.
FIG. 3 is a top plan view of the antenna of FIG. 1.
FIG. 4 is a bottom plan view of the antenna of FIG. 1.
FIG. 5 is a side elevational view of the antenna of FIG. 1.
FIG. 6 is a side elevational view of the antenna of FIG. 1.
FIG. 7 is a front perspective view of the antenna of FIG. 1; and,
FIG. 8 is a rear perspective view of the antenna of FIG. 1 with components shown in broken lines.
The broken lines are for illustration purposes only and form no part of the claimed invention.

1 Claim, 3 Drawing Sheets



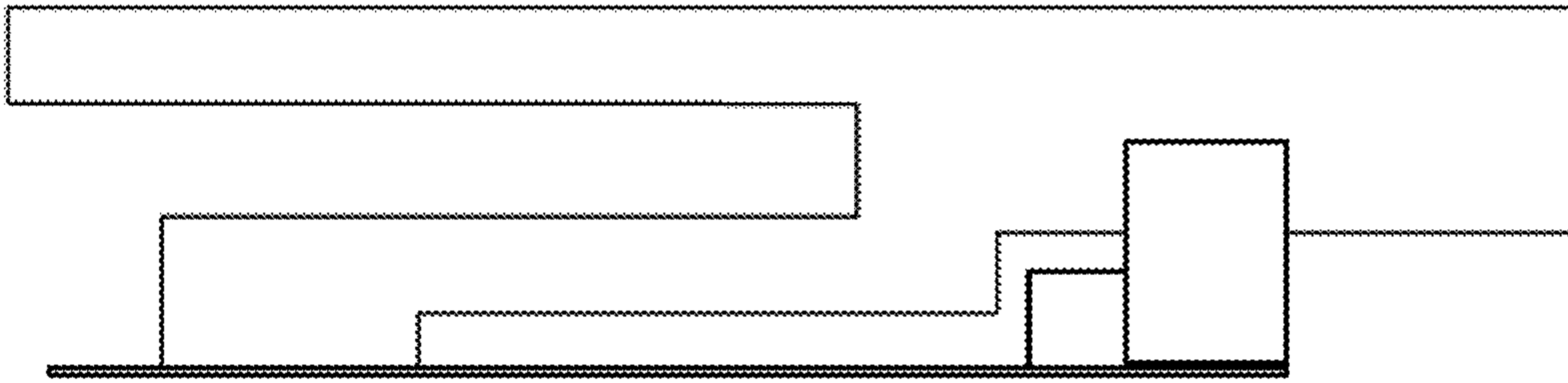


FIG. 1

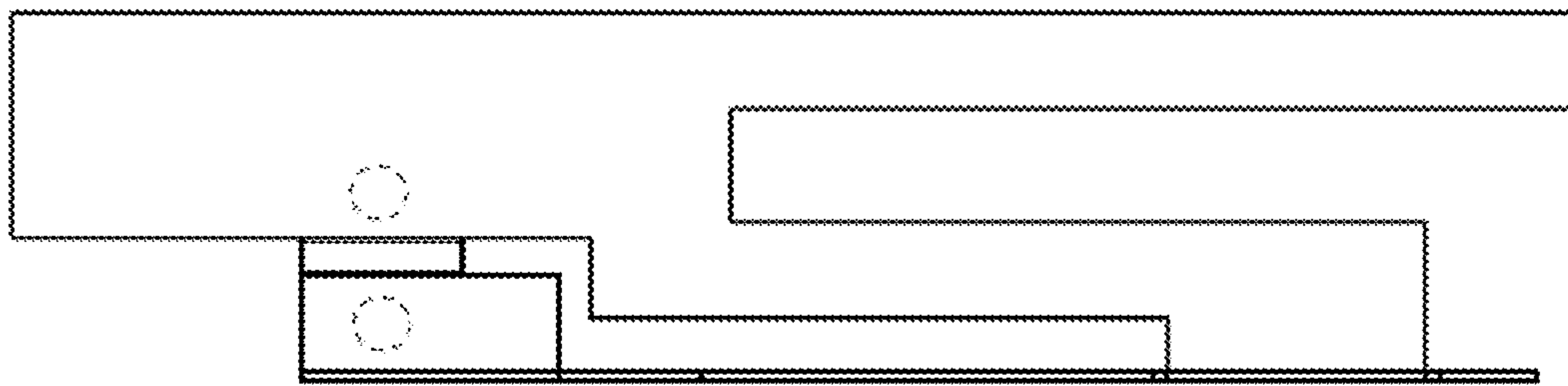


FIG. 2

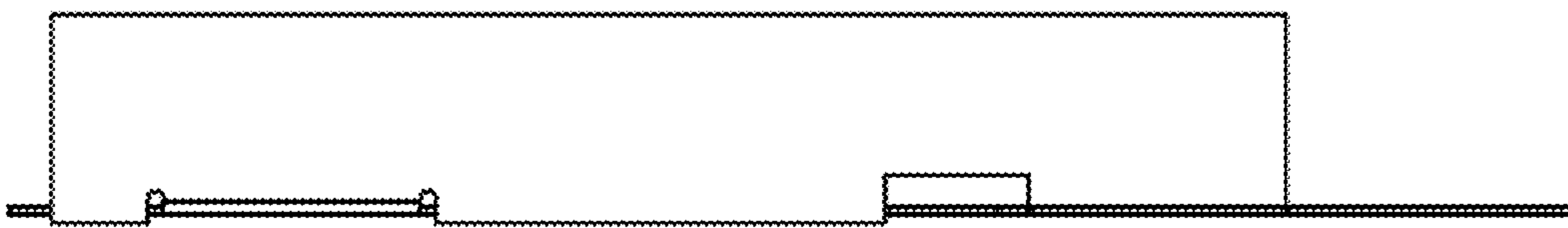


FIG. 3

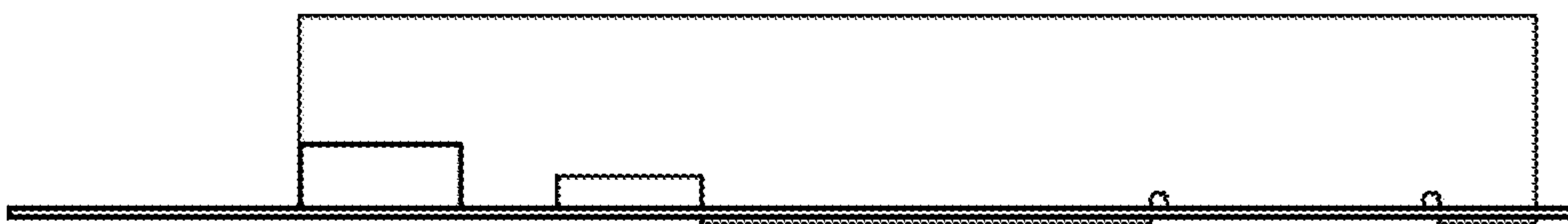


FIG. 4

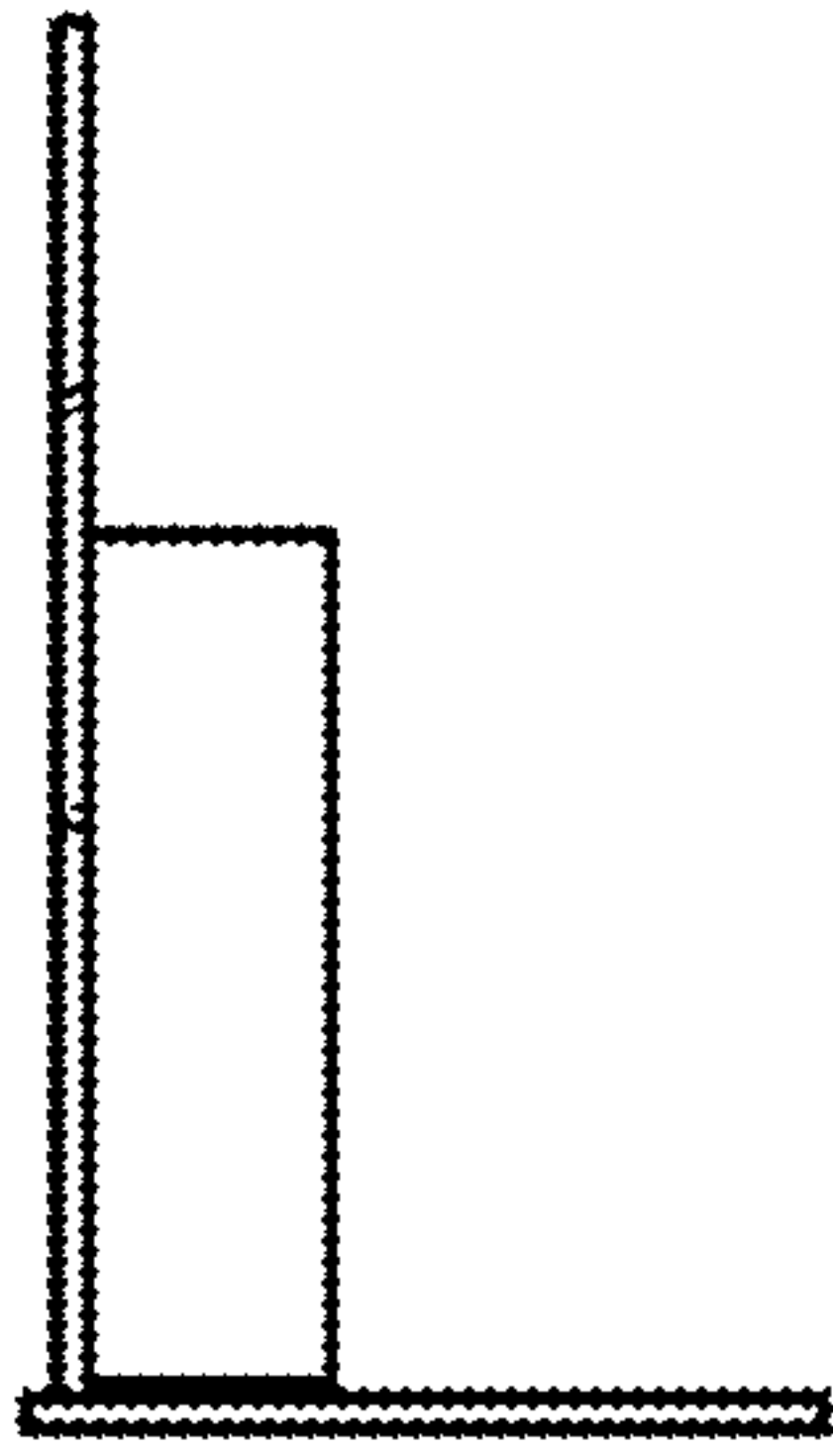


FIG. 5

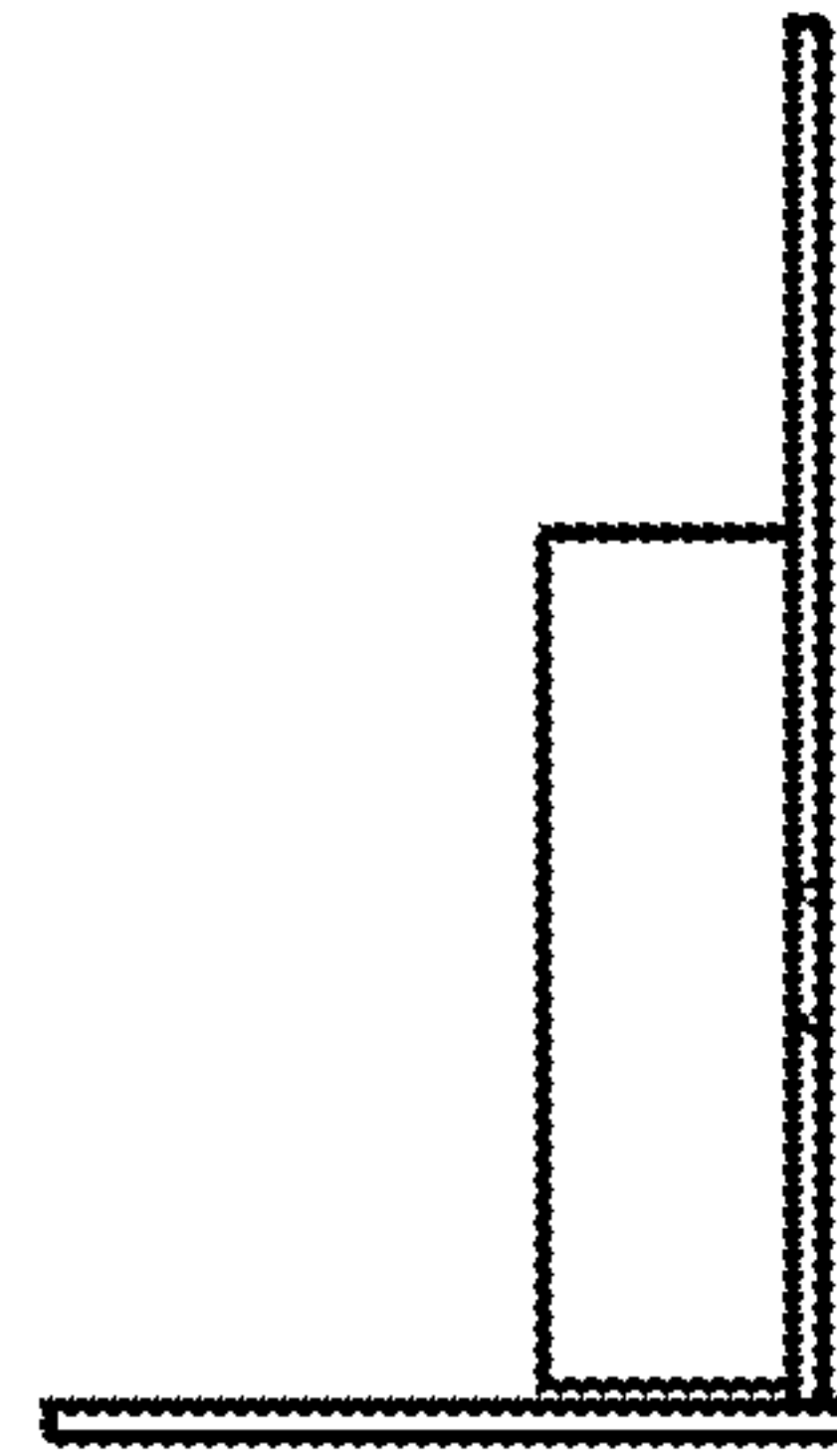


FIG. 6

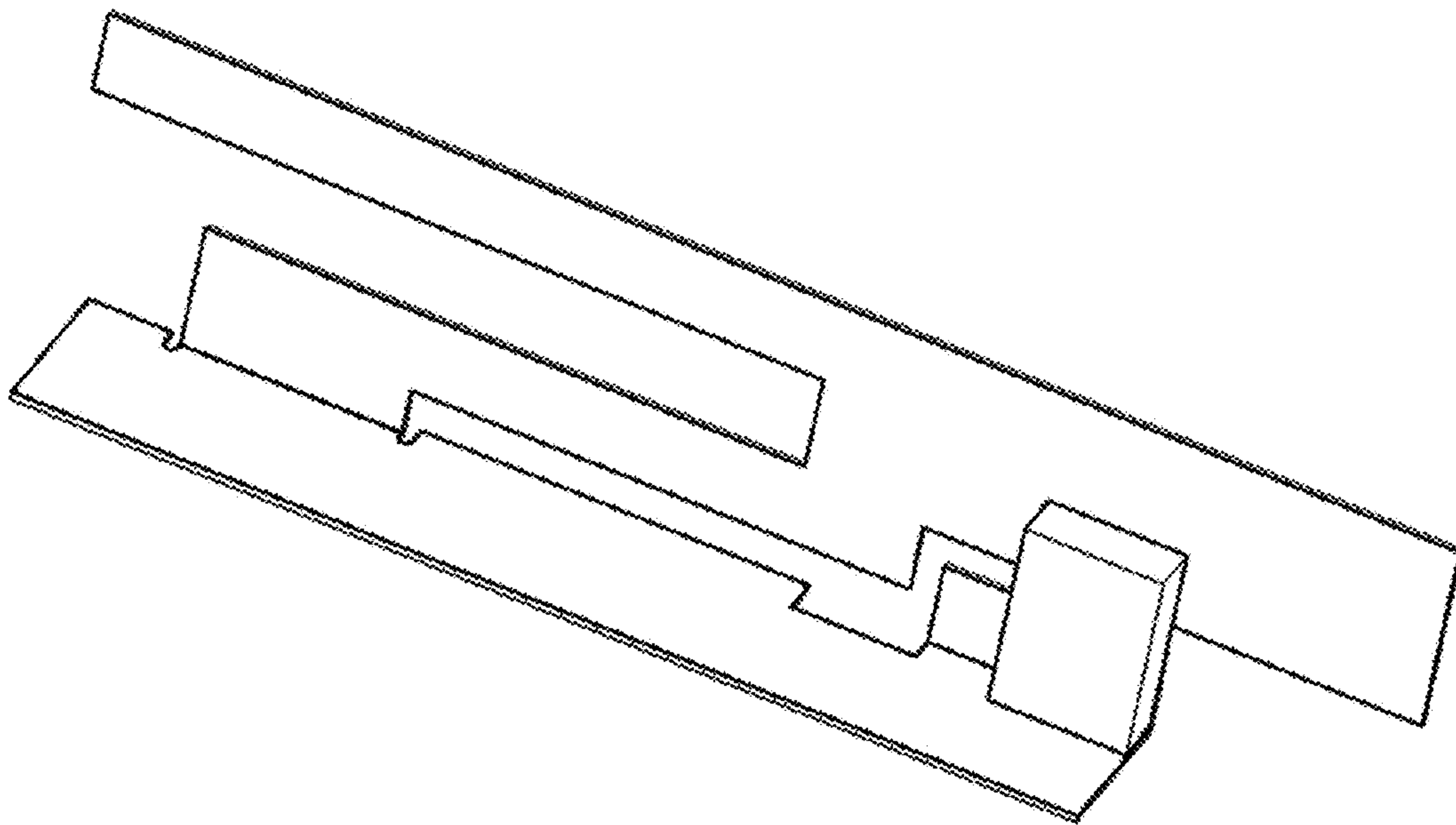


FIG. 7

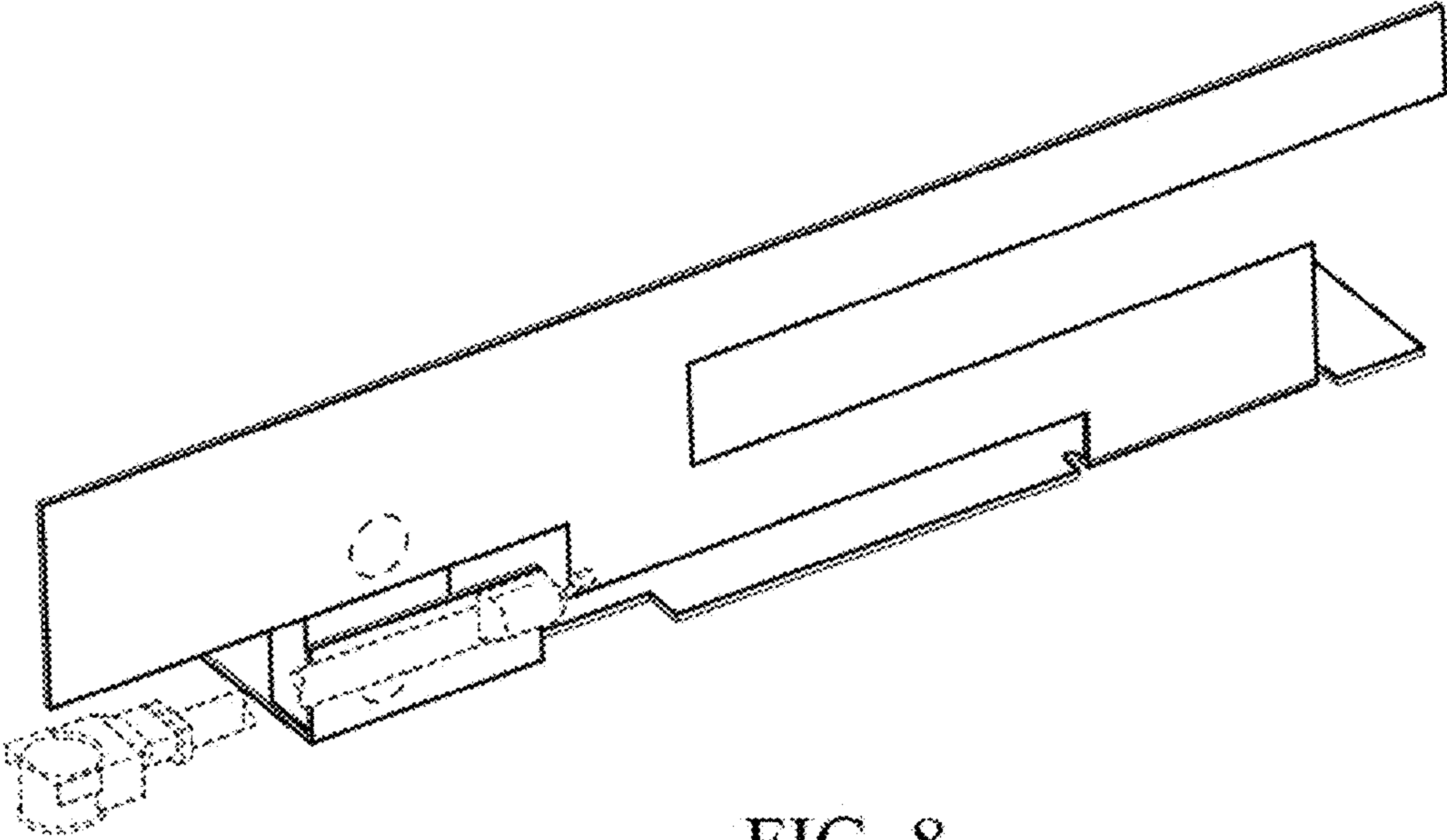


FIG. 8