



US00D703194S

(12) **United States Design Patent**
Jacobs et al.

(10) **Patent No.:** **US D703,194 S**

(45) **Date of Patent:** **** Apr. 22, 2014**

(54) **MICROPHONE**

(71) Applicant: **Microsoft Corporation**, Redmond, WA (US)

(72) Inventors: **Joel B. Jacobs**, Seattle, WA (US); **Scott Dallmeyer**, Seattle, WA (US); **Brett D. Christie**, Seattle, WA (US); **Carl L. Ledbetter**, Mercer Island, WA (US); **Audrey C. Louchart**, Seattle, WA (US); **Saro Nalbandian**, Redmond, WA (US); **Gregory G. Jones**, Redmond, WA (US)

(73) Assignee: **Microsoft Corporation**, Redmond, WA (US)

(**) Term: **14 Years**

(21) Appl. No.: **29/447,121**

(22) Filed: **Feb. 28, 2013**

(51) **LOC (10) Cl.** **14-01**

(52) **U.S. Cl.**
USPC **D14/225**

(58) **Field of Classification Search**
USPC D14/154, 155, 158, 159, 204, 206, 211,
D14/214, 217, 218, 225-229, 496, 299;
381/365; 455/95, 569.1
See application file for complete search history.

(56) **References Cited**

U.S. PATENT DOCUMENTS

D470,126 S * 2/2003 Ljungberg et al. D14/214
D478,891 S * 8/2003 Hisatsune D14/211
D540,305 S * 4/2007 Han D14/211

D540,310 S * 4/2007 Yuyama D14/214
D547,748 S * 7/2007 Tsuge D14/211
D583,876 S * 12/2008 Ashida et al. D21/333
D644,625 S * 9/2011 Iseki D14/206
D659,677 S * 5/2012 Kim et al. D14/214
D660,284 S * 5/2012 Carbone D14/214
D681,606 S * 5/2013 Nishii et al. D14/214
D681,607 S * 5/2013 Nishii D14/214
D685,349 S * 7/2013 Ohno et al. D14/221
D688,231 S * 8/2013 Nishii D14/214

* cited by examiner

Primary Examiner — Thomas Johannes

Assistant Examiner — Holly E Thurman

(74) *Attorney, Agent, or Firm* — Banner & Witcoff, Ltd.

(57) **CLAIM**

The ornamental design for a microphone, as shown and described.

DESCRIPTION

FIG. 1 is a perspective view of a microphone showing our new design;

FIG. 2 is a front view thereof;

FIG. 3 is a rear view thereof;

FIG. 4 is a right side view thereof;

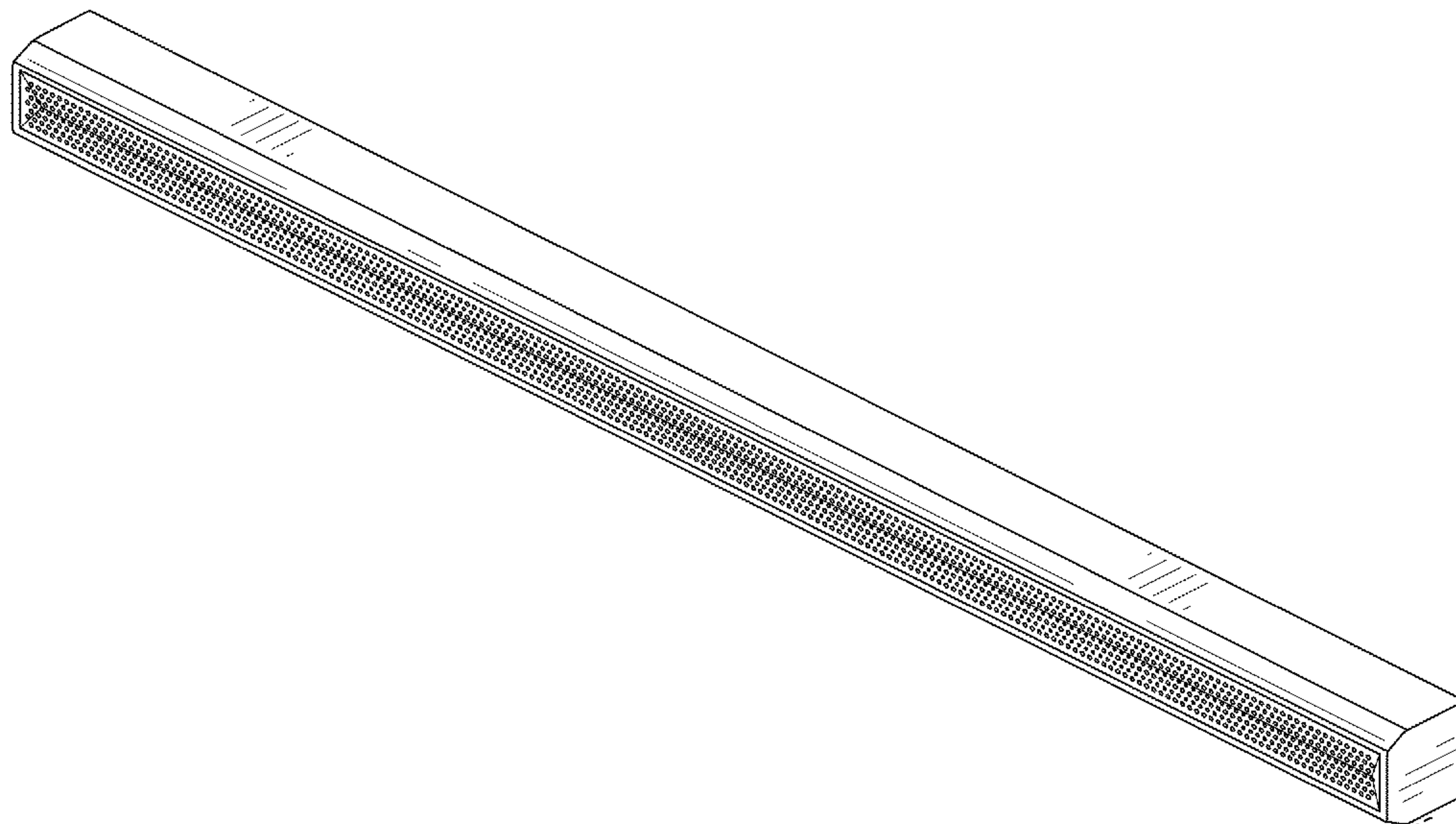
FIG. 5 is a left side view thereof;

FIG. 6 is a top view thereof; and,

FIG. 7 is a bottom view thereof.

The broken line showings of various regions of the microphone and the unshaded areas therein in FIGS. 1-7 are for environmental purposes only and form no part of the claimed design.

1 Claim, 3 Drawing Sheets



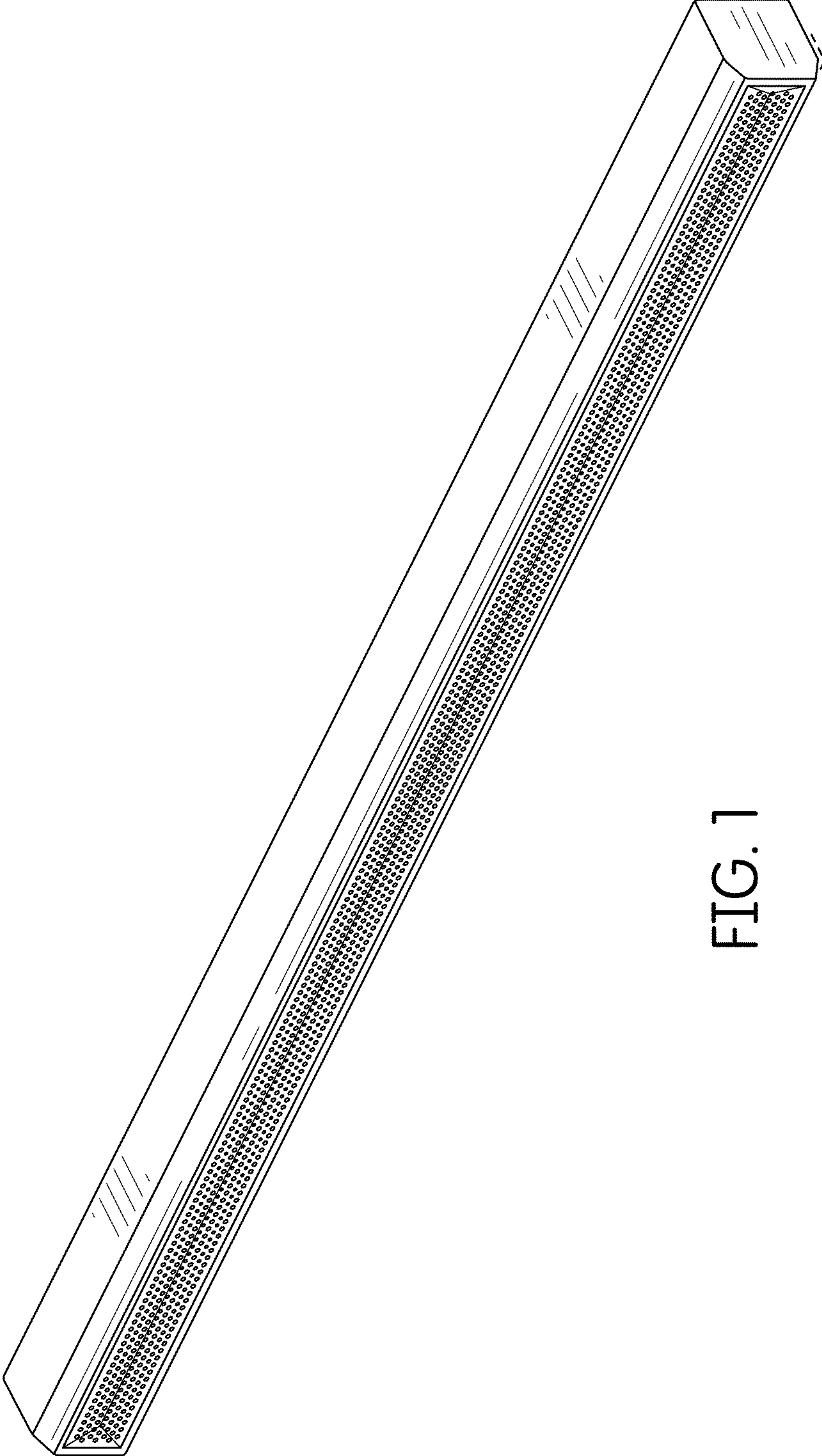


FIG. 1

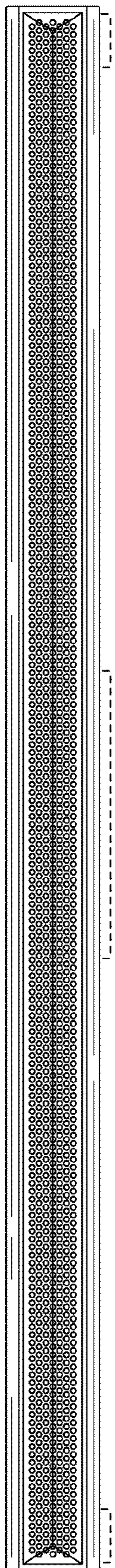


FIG. 2

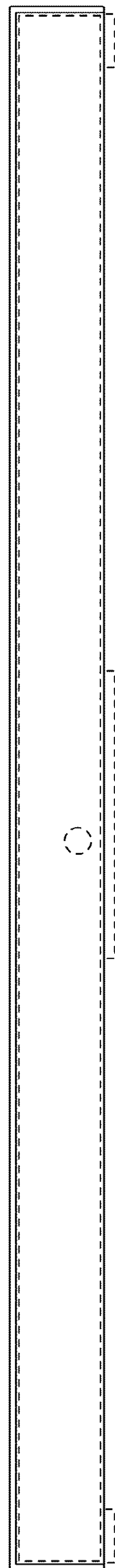


FIG. 3

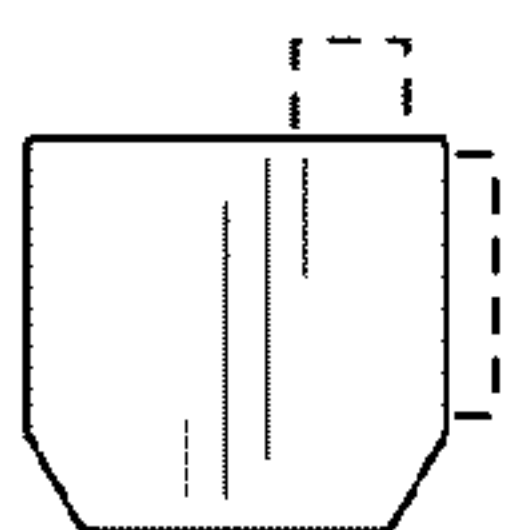


FIG. 4

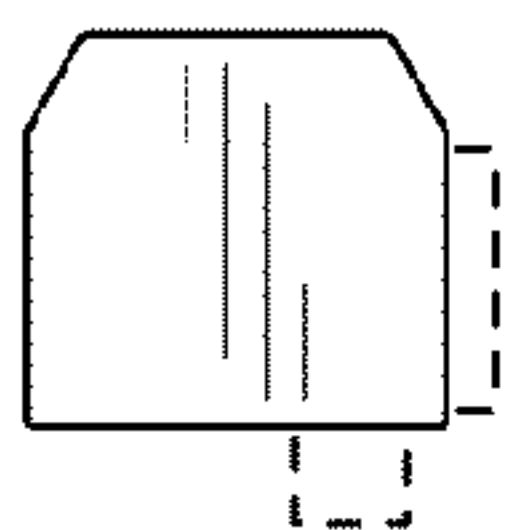


FIG. 5

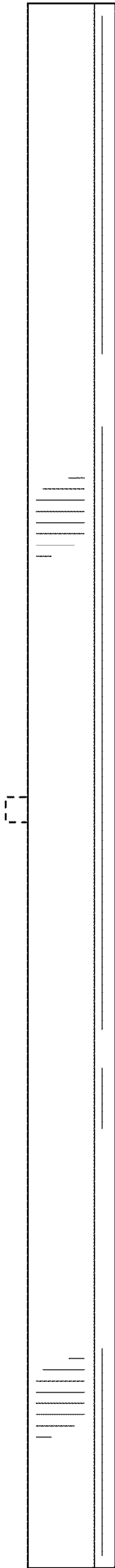


FIG. 6

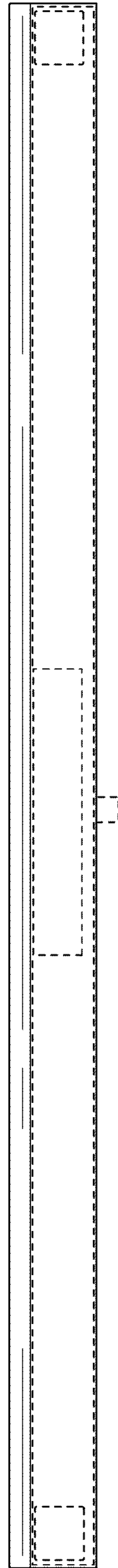


FIG. 7