



US00D703193S

(12) **United States Design Patent**  
**Trewartha et al.**

(10) **Patent No.:** **US D703,193 S**

(45) **Date of Patent:** **\*\* Apr. 22, 2014**

(54) **MICROPHONE**

(75) Inventors: **Samuel Dean Trewartha**, Silverwater (AU); **Lisa Gycsek**, Silverwater (AU); **Peter Noel Cooper**, Silverwater (AU)

(73) Assignee: **Freedman Electronics Pty. Ltd.** (AU)

(\*\*) Term: **14 Years**

(21) Appl. No.: **29/418,606**

(22) Filed: **Apr. 18, 2012**

(30) **Foreign Application Priority Data**

Oct. 18, 2011 (AU) ..... 2011014718

(51) **LOC (10) Cl.** ..... **14-01**

(52) **U.S. Cl.**  
USPC ..... **D14/225**

(58) **Field of Classification Search**  
USPC ..... D14/154, 155, 158, 159, 204, 206, 214,  
D14/217, 218, 225-229; 381/365; 455/95,  
455/569.1

See application file for complete search history.

(56) **References Cited**

**U.S. PATENT DOCUMENTS**

D511,192 S \* 11/2005 Nishihara ..... D21/713  
D516,642 S \* 3/2006 Swiszc et al. .... D21/713  
D516,645 S \* 3/2006 Chung ..... D21/713

D516,646 S \* 3/2006 Yang ..... D21/713  
D518,862 S \* 4/2006 Swiszc et al. .... D21/713  
D591,785 S \* 5/2009 Fong ..... D16/237  
D603,381 S \* 11/2009 Fleischer et al. .... D14/227  
D605,183 S \* 12/2009 Fleischer et al. .... D14/227  
D659,200 S \* 5/2012 Wicken ..... D21/440  
D676,428 S \* 2/2013 Trewartha et al. .... D14/225  
D687,420 S \* 8/2013 Trewartha et al. .... D14/225

\* cited by examiner

*Primary Examiner* — Thomas Johannes

*Assistant Examiner* — Holly E Thurman

(74) *Attorney, Agent, or Firm* — SAIDMAN DesignLaw Group

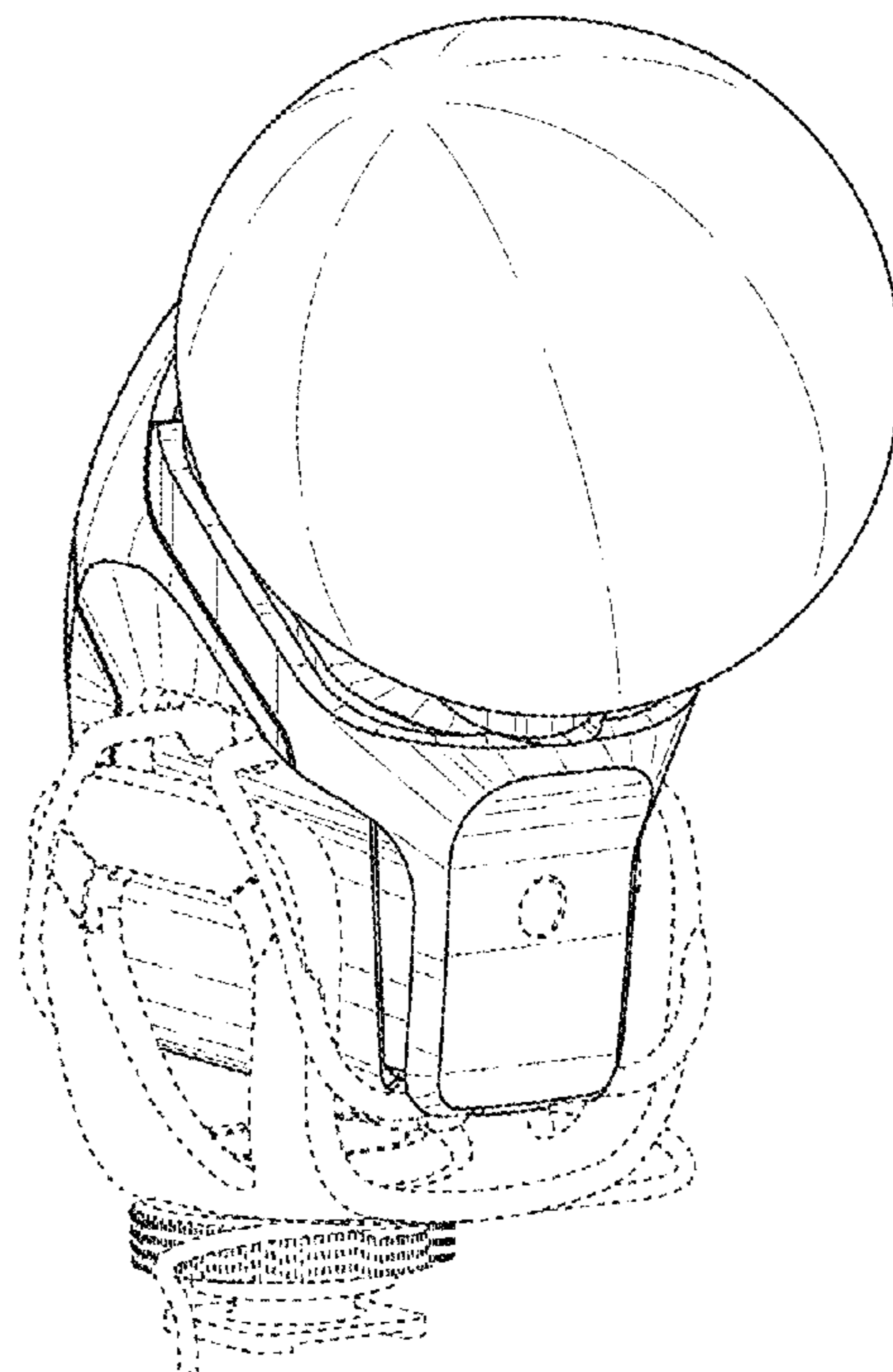
(57) **CLAIM**

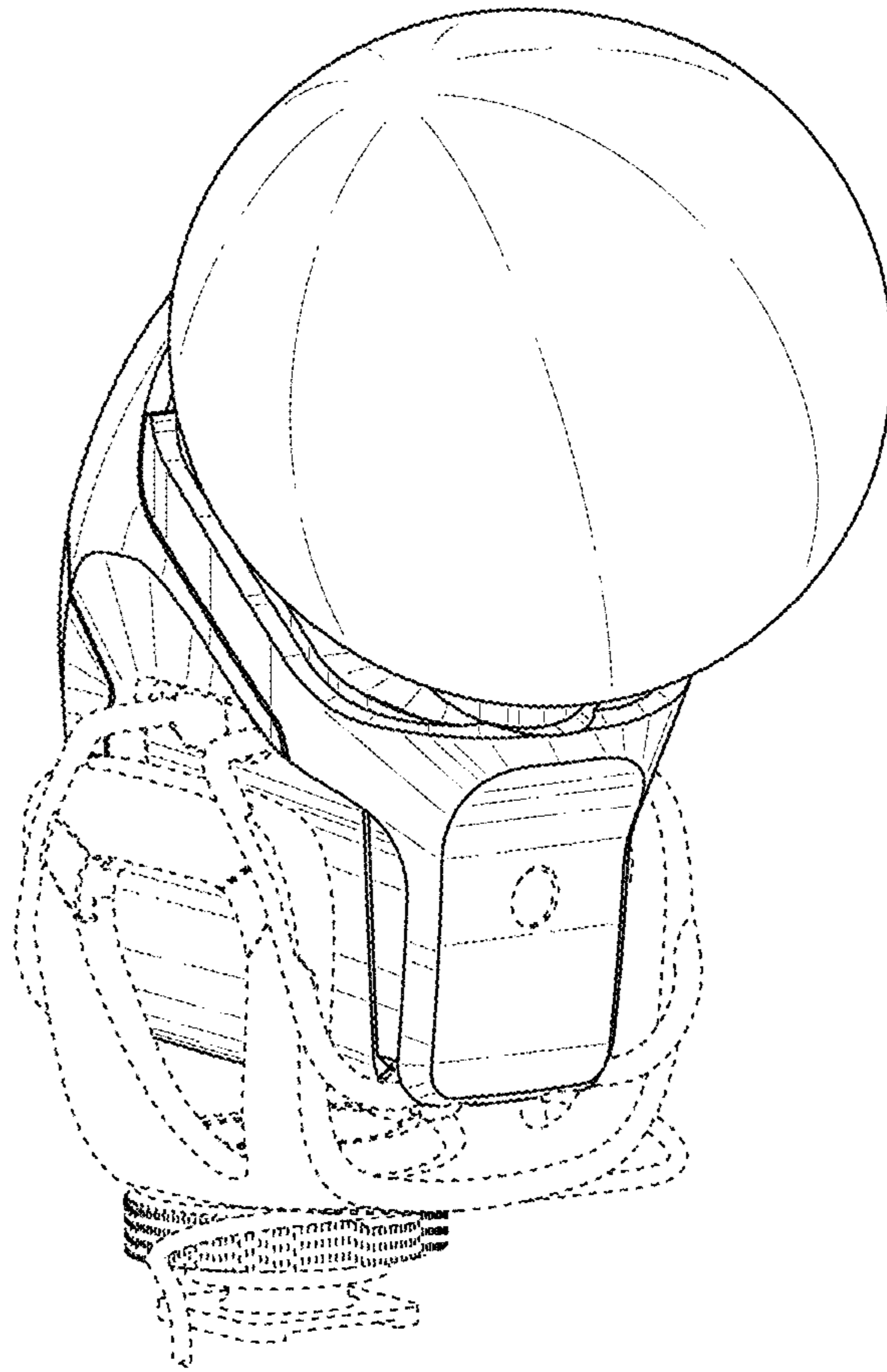
The ornamental design for a microphone, as shown and described.

**DESCRIPTION**

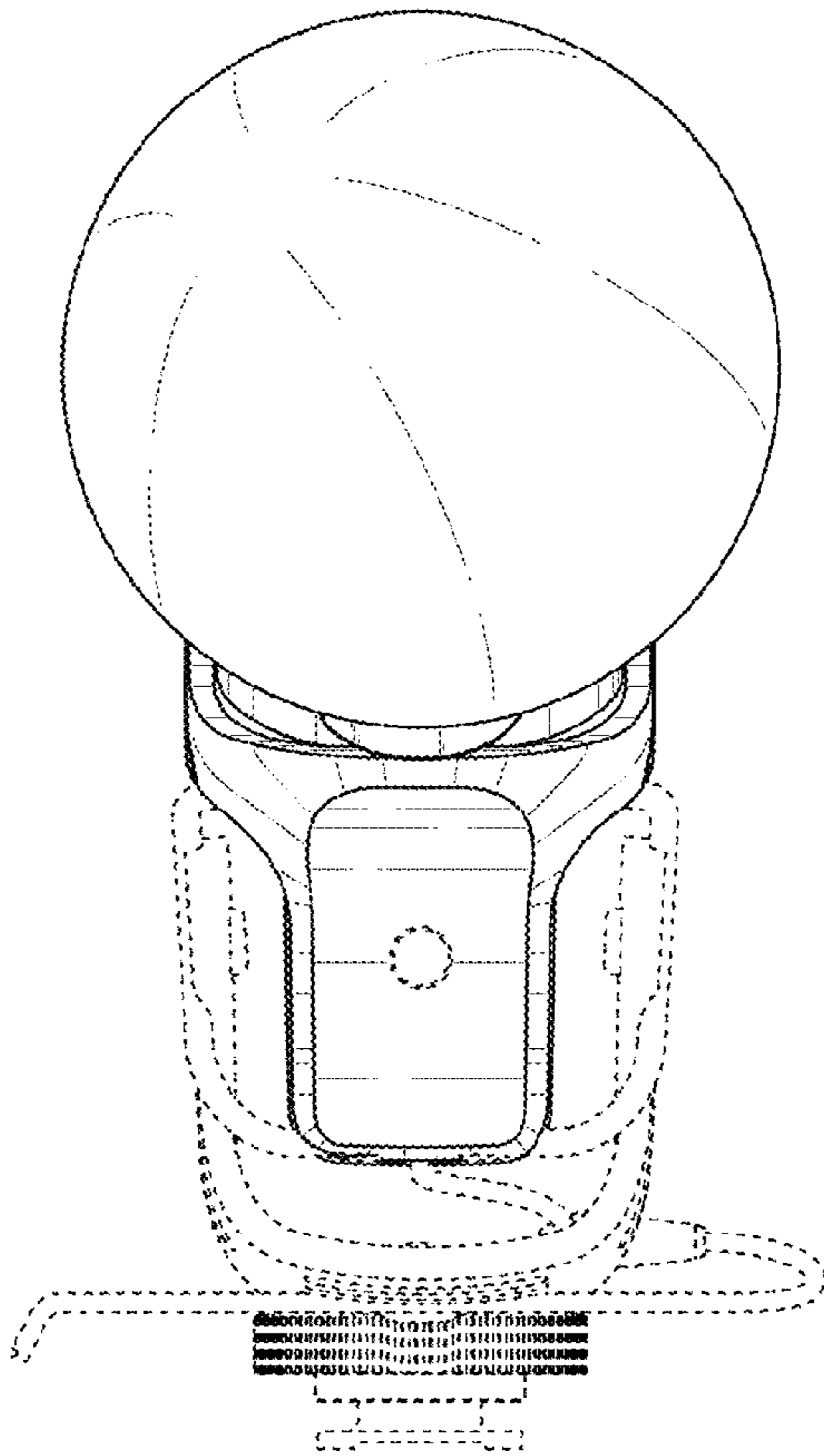
FIG. 1 is a front left perspective view of a microphone showing our new design;  
FIG. 2 is a front view thereof;  
FIG. 3 is a rear view thereof;  
FIG. 4 is a left side view thereof;  
FIG. 5 is a right side view thereof;  
FIG. 6 is a top view thereof; and,  
FIG. 7 is a bottom view thereof.  
The broken lines illustrate portions of the microphone that form no part of the claimed design.

**1 Claim, 4 Drawing Sheets**

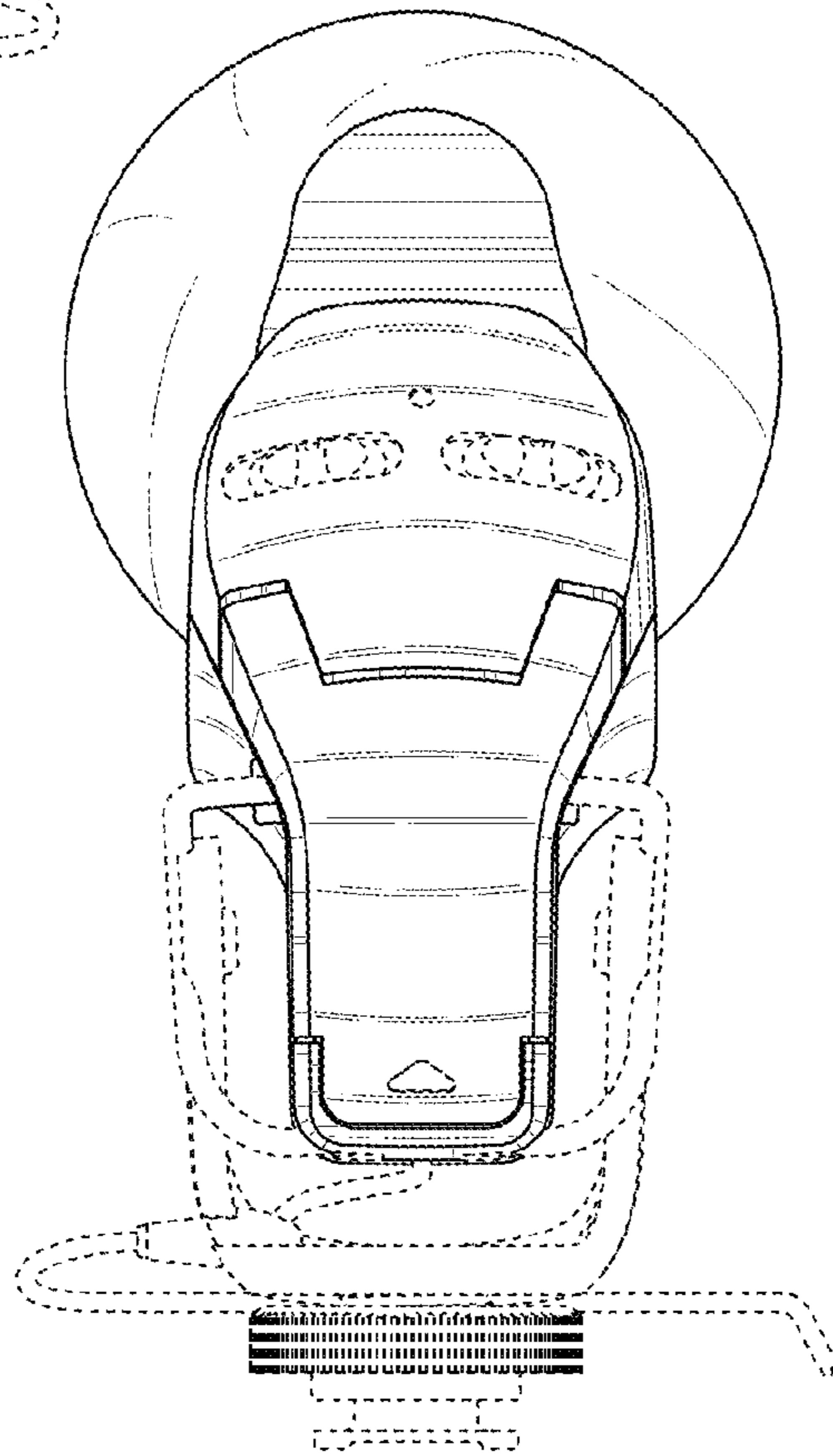




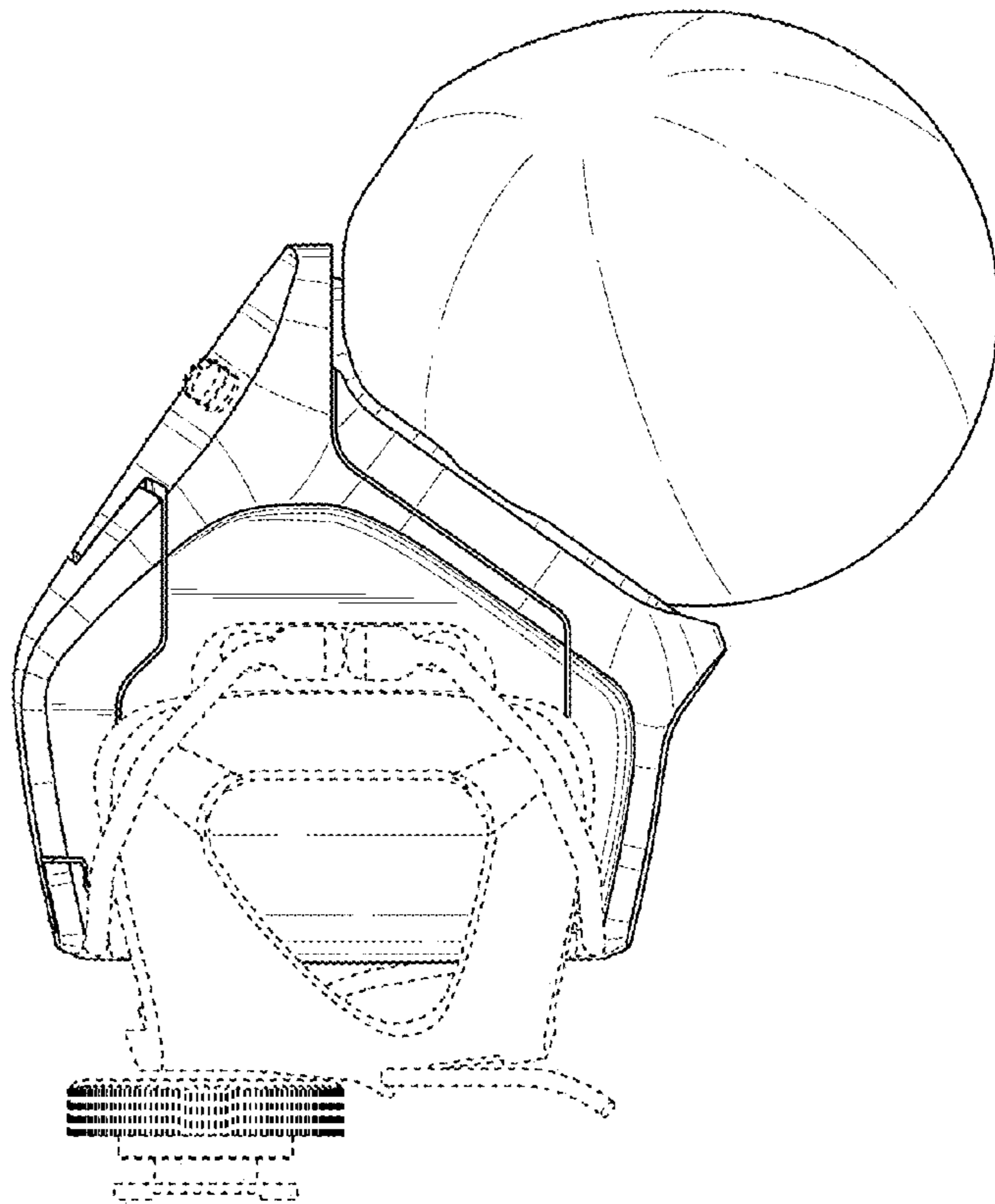
**Fig. 1**



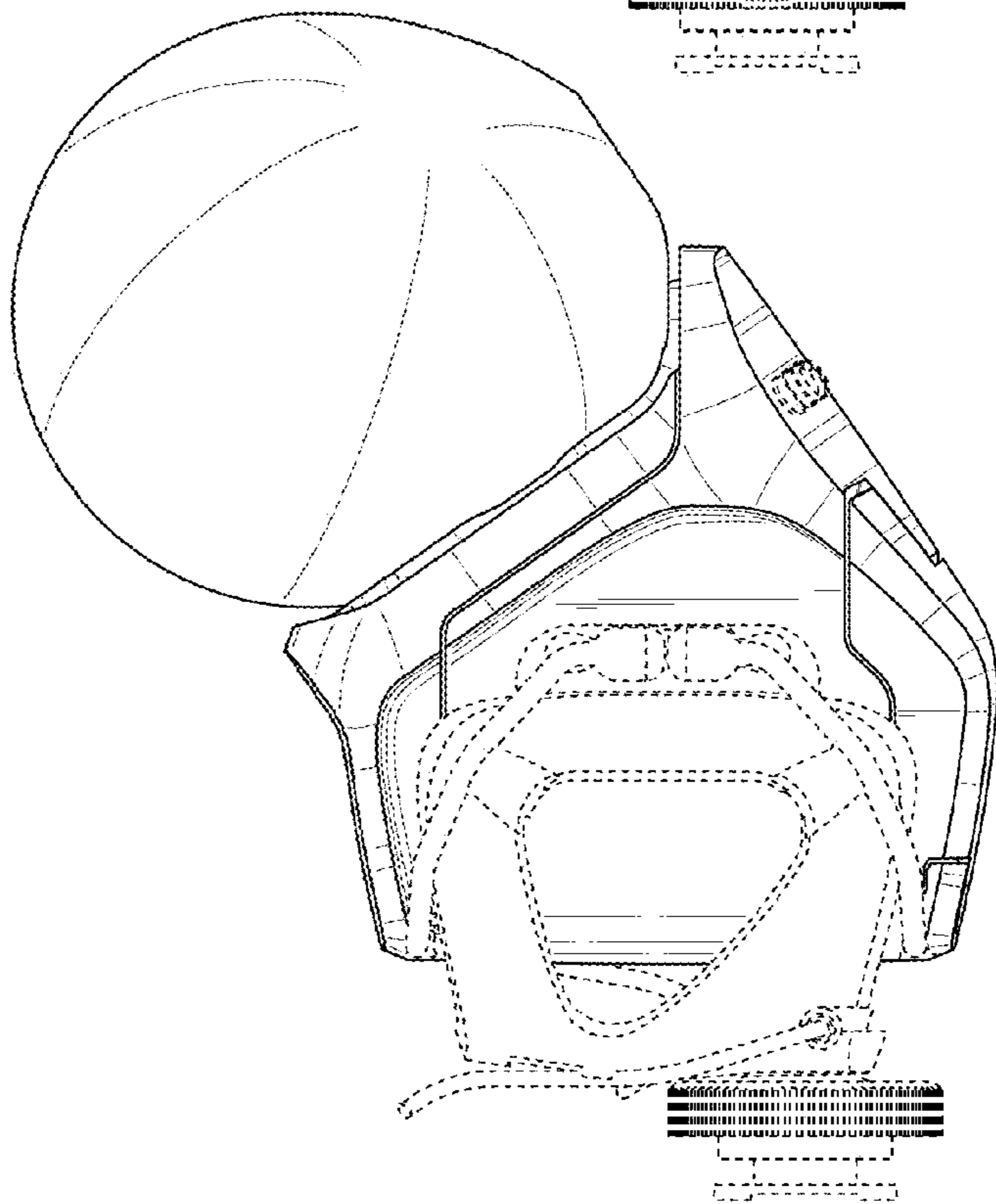
**Fig. 2**



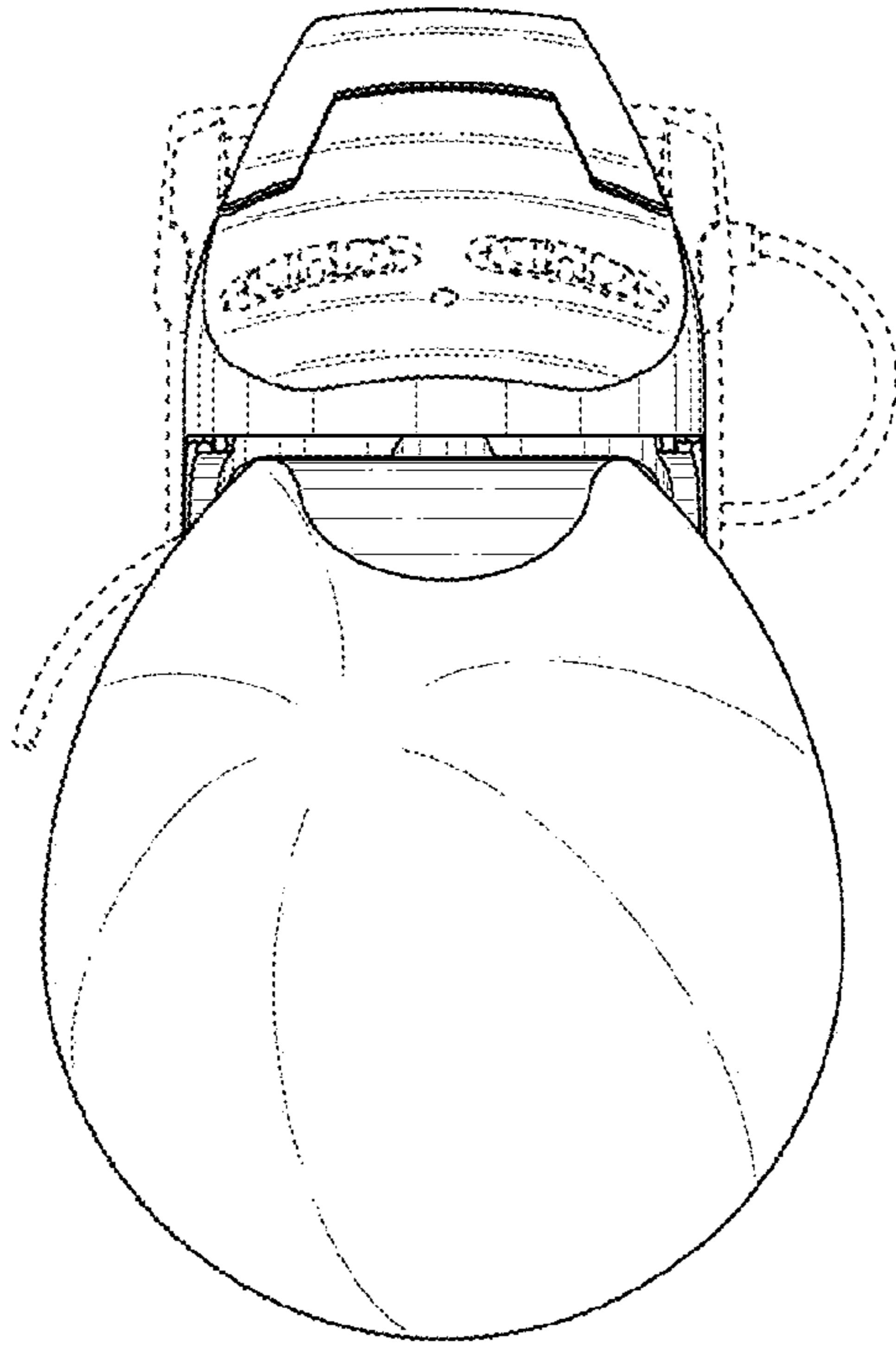
**Fig. 3**



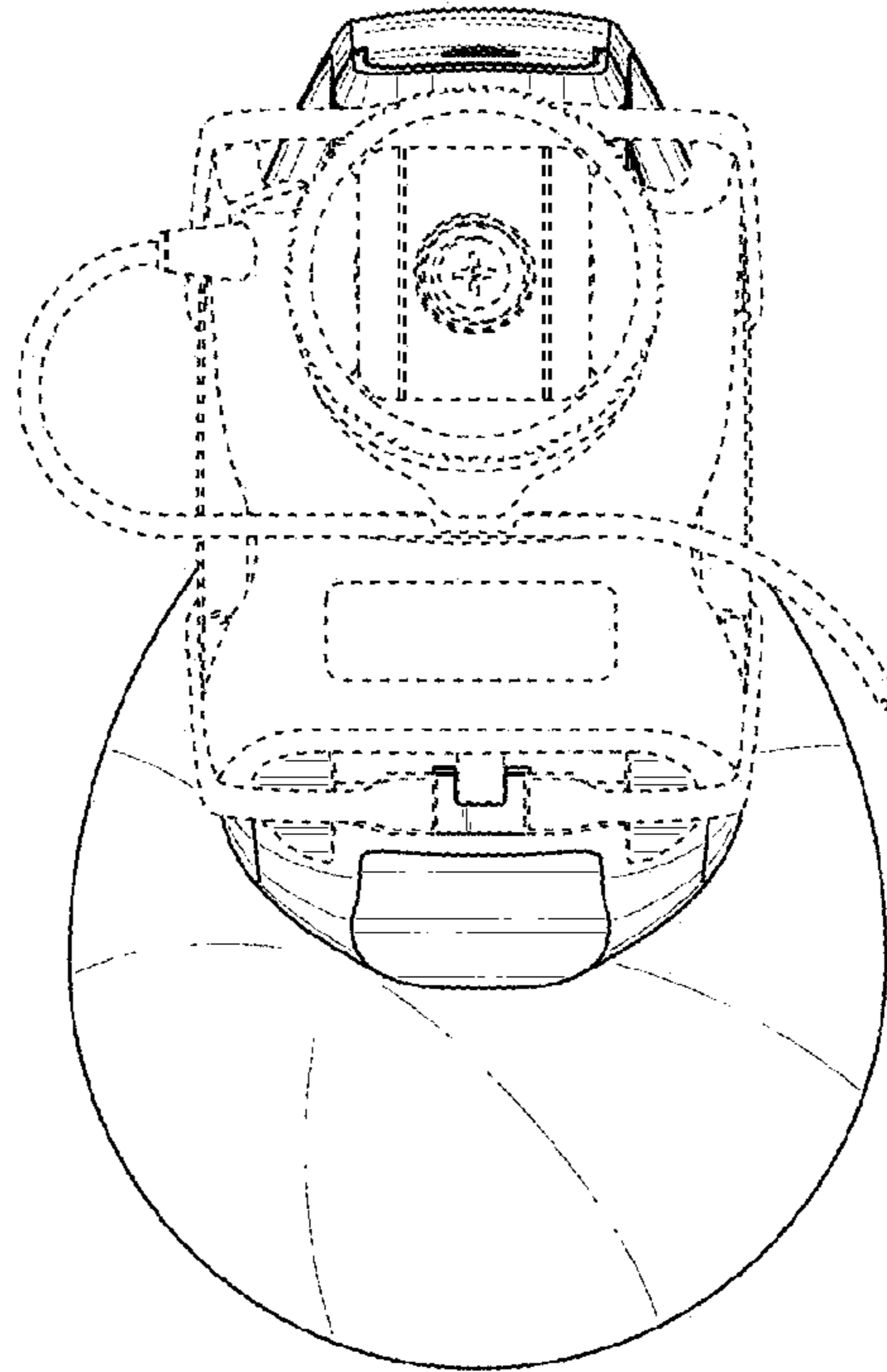
**Fig. 4**



**Fig. 5**



**Fig. 6**



**Fig. 7**