



US00D703192S

(12) **United States Design Patent**  
**Yang**

(10) **Patent No.:** **US D703,192 S**  
(45) **Date of Patent:** **\*\* Apr. 22, 2014**

(54) **EARPHONE**

(71) Applicant: **Bill Yang**, Taipei (TW)

(72) Inventor: **Bill Yang**, Taipei (TW)

(73) Assignee: **Cotron Corporation**, Taipei (TW)

(\*\*) Term: **14 Years**

(21) Appl. No.: **29/451,242**

(22) Filed: **Mar. 29, 2013**

(51) **LOC (10) Cl.** ..... **14-01**

(52) **U.S. Cl.**

CPC ..... **H04R 1/1016** (2013.01)

USPC ..... **D14/223**

(58) **Field of Classification Search**

CPC ..... H04R 1/1016

USPC ..... D14/223; 181/129, 130, 135; 379/430,  
379/431; 381/380, 381; 455/90.3, 575.1

See application file for complete search history.

(56) **References Cited**

**U.S. PATENT DOCUMENTS**

3,821,647	A	*	6/1974	Minasian	.....	455/269
D567,217	S	*	4/2008	Kamo et al.	.....	D14/205
D587,681	S	*	3/2009	Yanai	.....	D14/205
D593,997	S	*	6/2009	Mauritzsson	.....	D14/223
D594,441	S	*	6/2009	Lee et al.	.....	D14/205

D602,475	S	*	10/2009	Martin	.....	D14/223
D631,470	S	*	1/2011	Yoneyama et al.	.....	D14/223
D637,181	S	*	5/2011	Fuller et al.	.....	D14/223
D643,416	S	*	8/2011	Chong et al.	.....	D14/223
D654,056	S	*	2/2012	Hoggarth et al.	.....	D14/223
D664,951	S	*	8/2012	Ang et al.	.....	D14/223
D674,377	S	*	1/2013	Schaefer	.....	D14/223
D676,427	S	*	2/2013	Yang	.....	D14/223
D676,833	S	*	2/2013	Garcia et al.	.....	D14/223
D685,767	S	*	7/2013	Kelly et al.	.....	D14/223

\* cited by examiner

*Primary Examiner* — Paula Greene

(74) *Attorney, Agent, or Firm* — Jianq Chyun IP Office

(57) **CLAIM**

The ornamental design for an earphone, as shown and described.

**DESCRIPTION**

FIG. 1 is a perspective view of an earphone showing my new design;

FIG. 2 is another perspective view thereof;

FIG. 3 is a front view thereof;

FIG. 4 is a rear view thereof;

FIG. 5 is a left side view thereof;

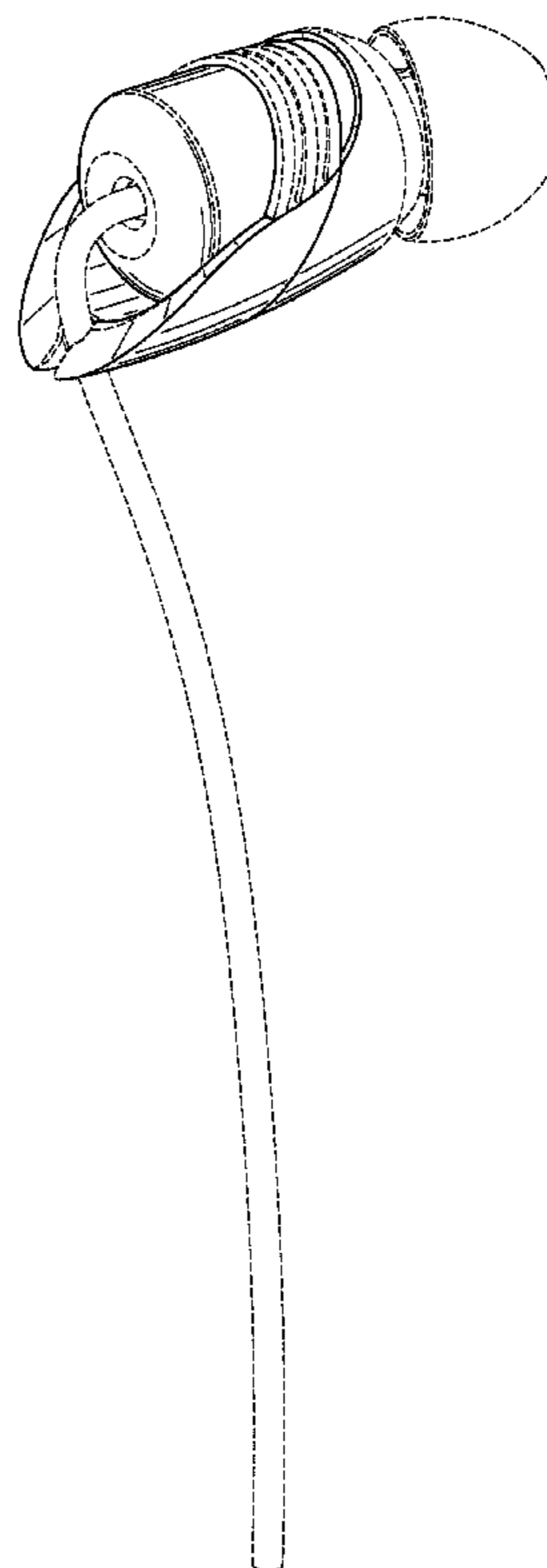
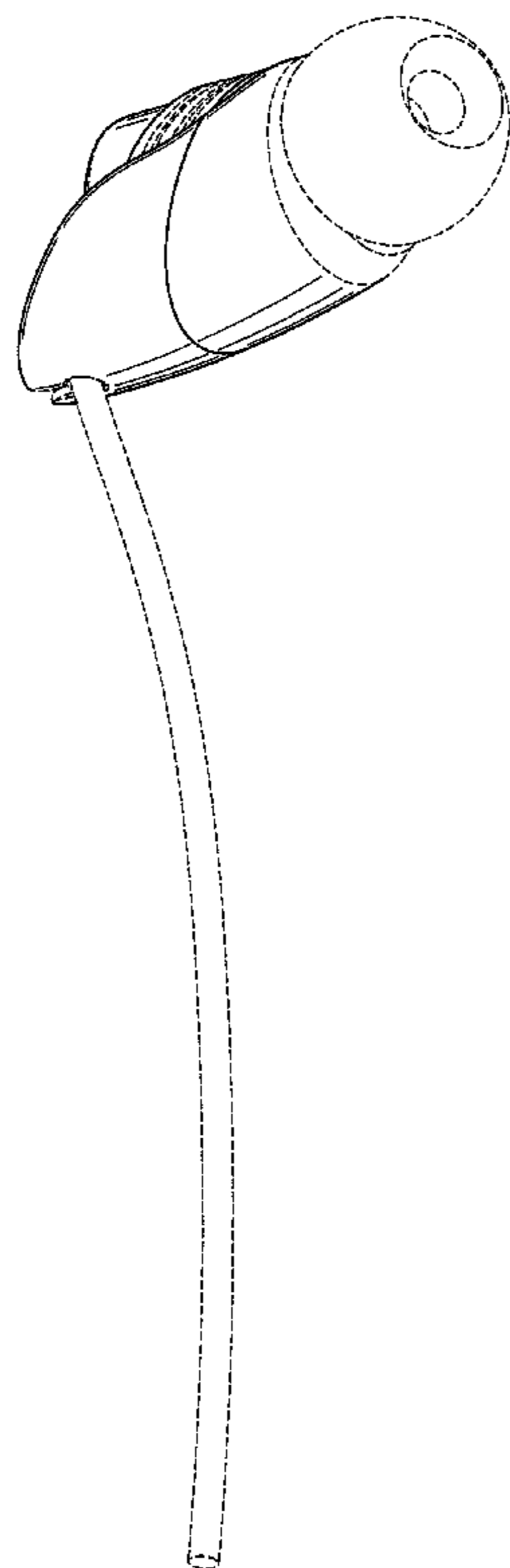
FIG. 6 is a right side view thereof;

FIG. 7 is a top view thereof; and,

FIG. 8 is a bottom view thereof.

The broken line portions of the earphone in FIGS. 1-8 represent unclaimed portions of the claimed design and form no part thereof.

**1 Claim, 7 Drawing Sheets**



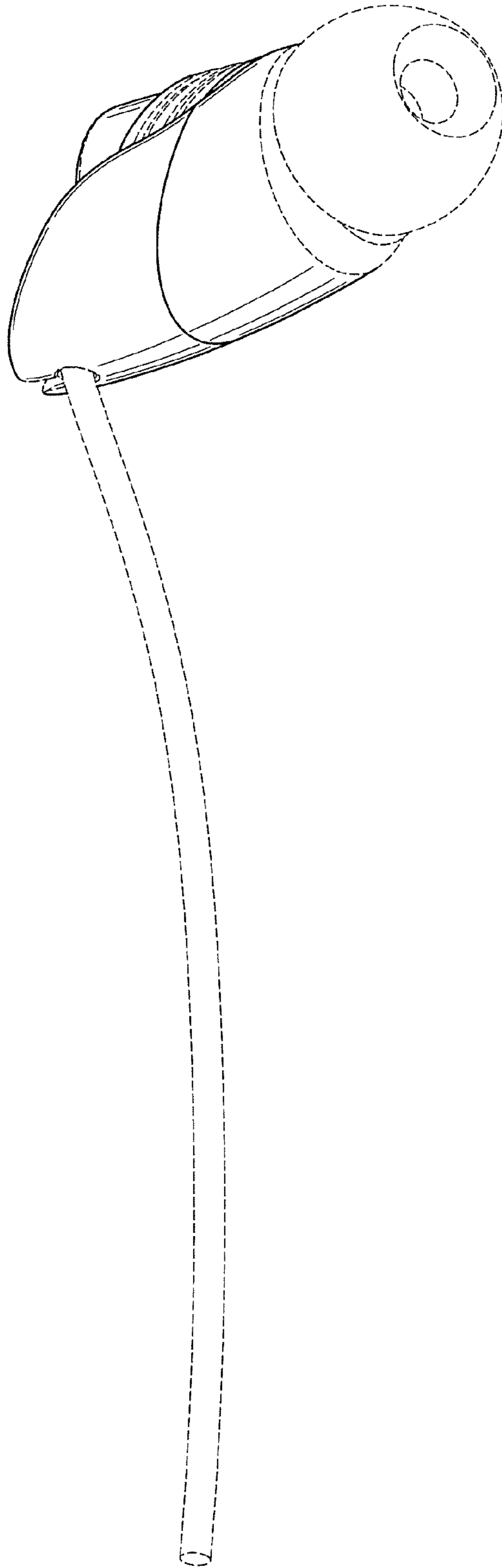


FIG. 1

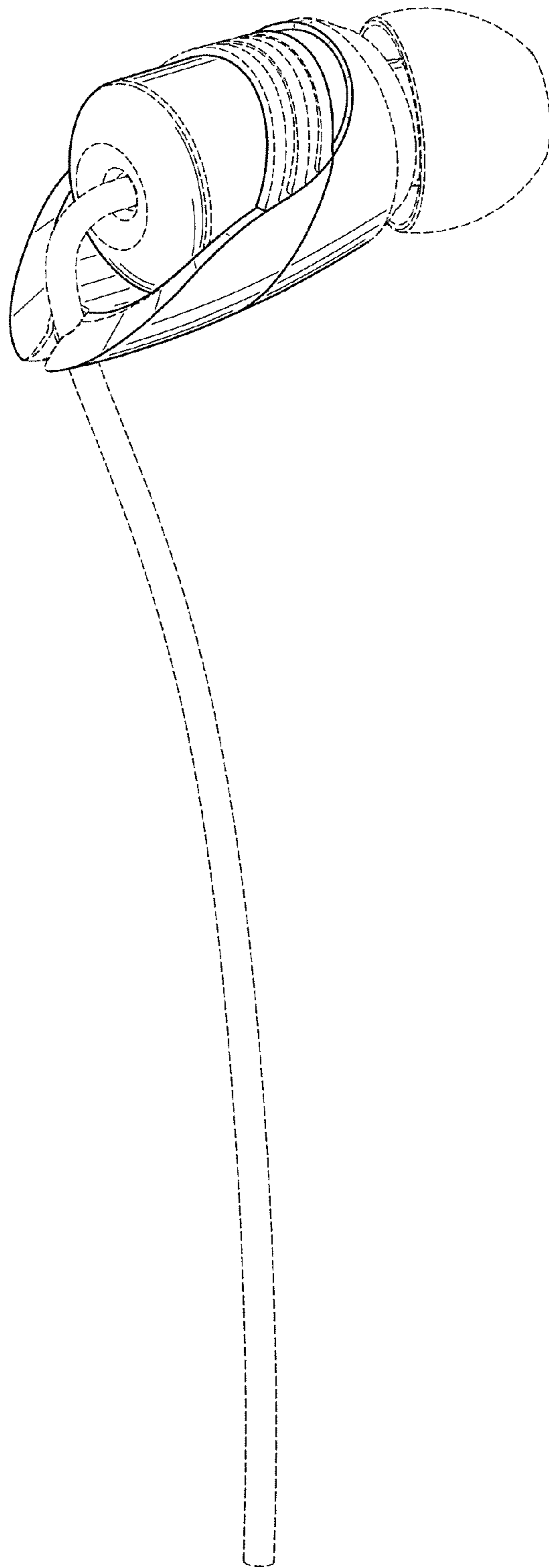


FIG. 2

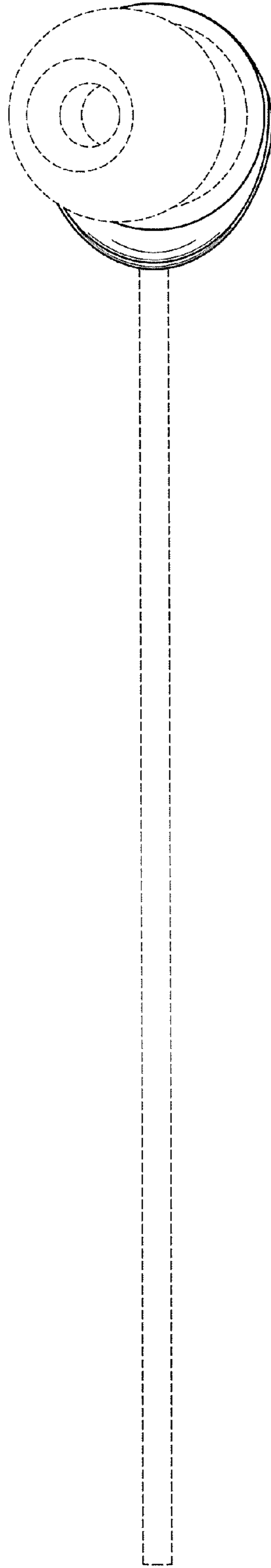


FIG. 3

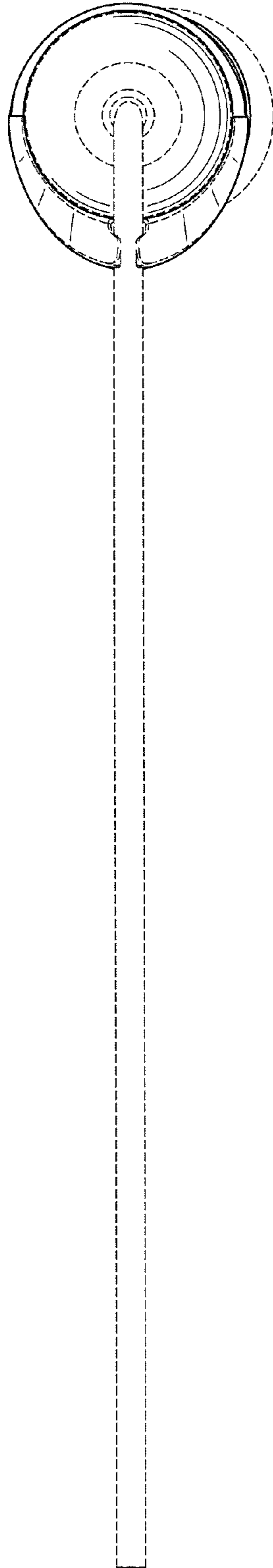


FIG. 4

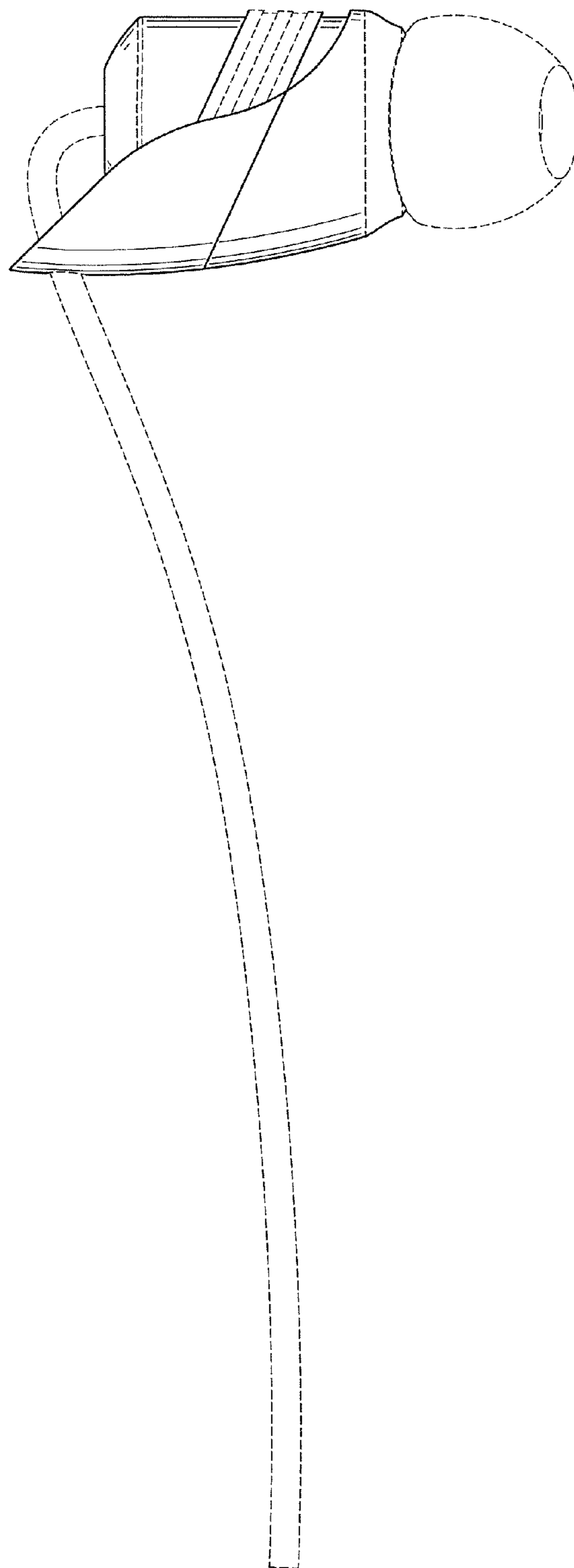


FIG. 5

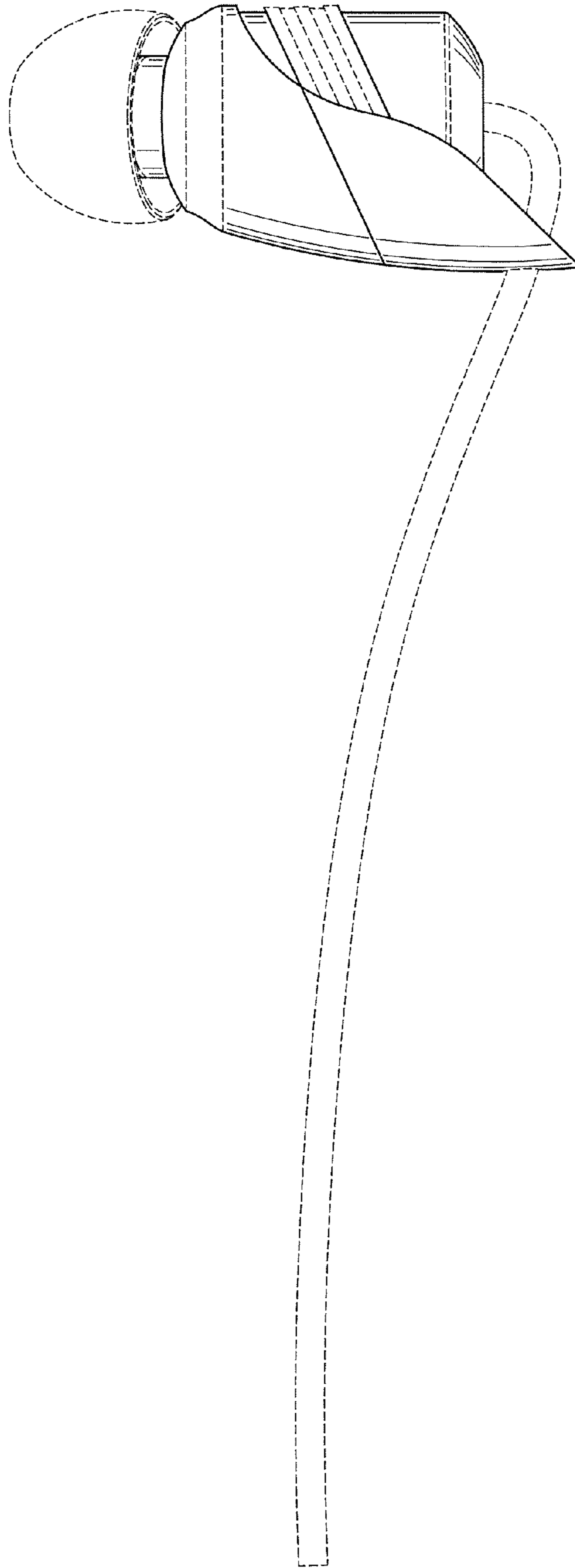


FIG. 6

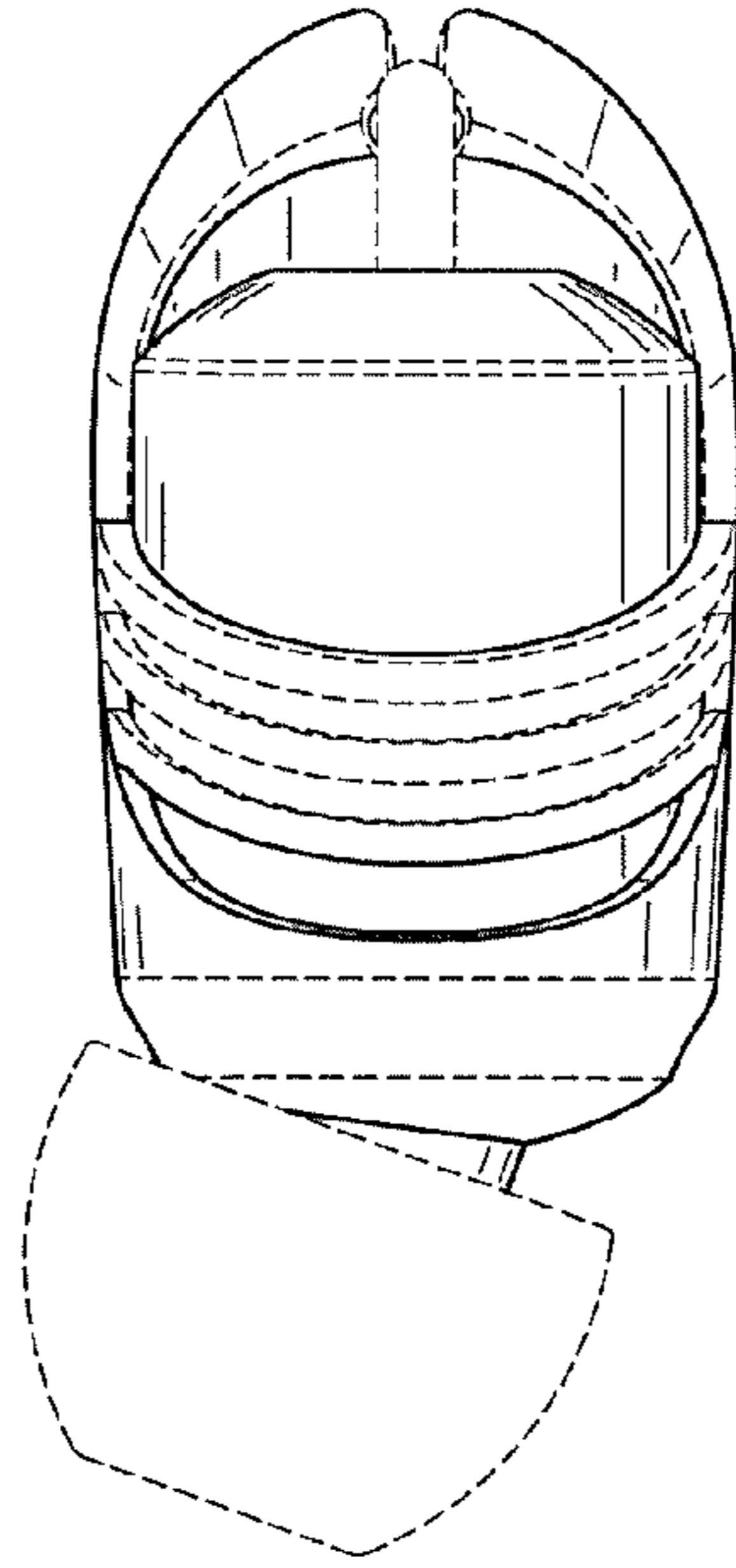


FIG. 7

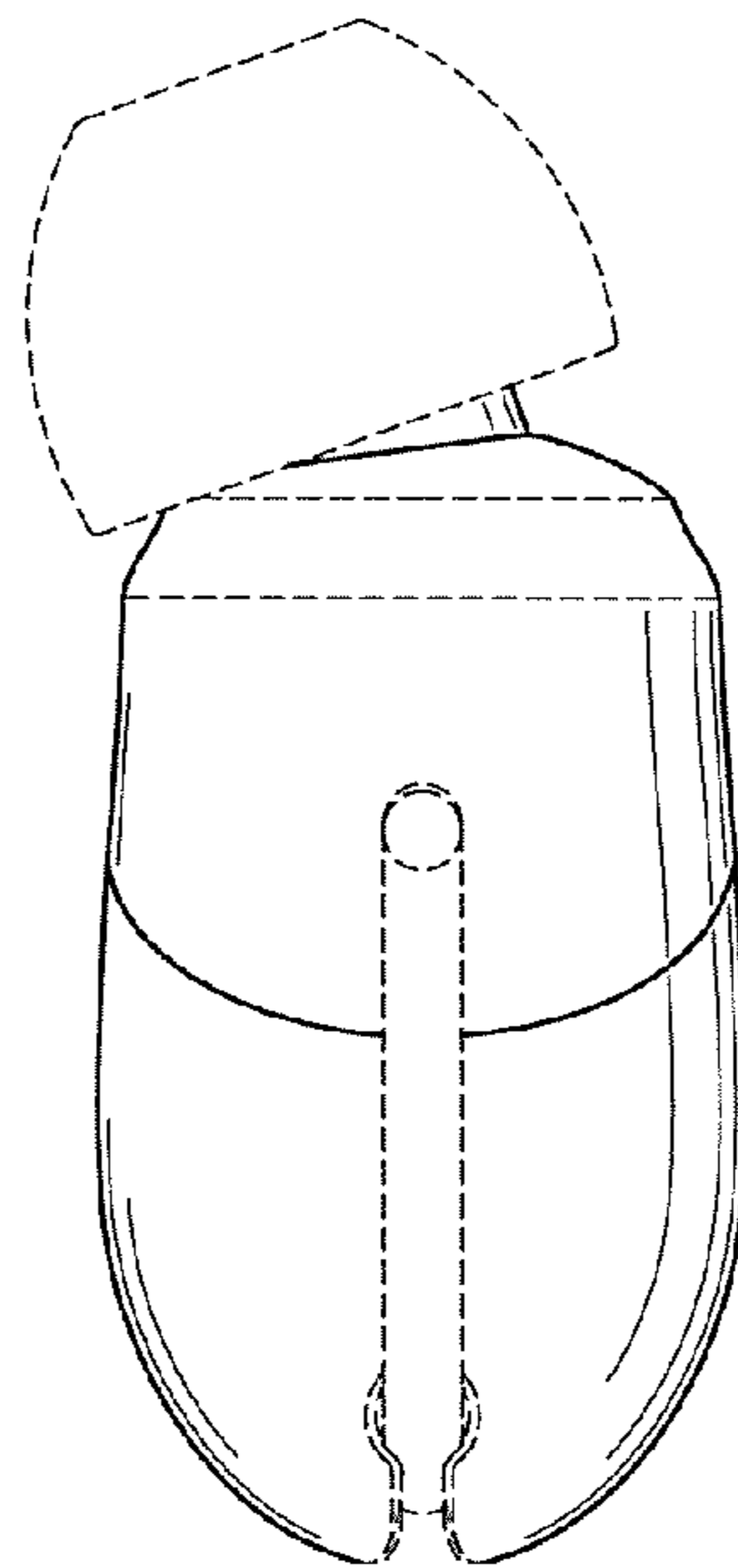


FIG. 8