



US00D703191S

(12) **United States Design Patent**
Woo et al.

(10) **Patent No.:** **US D703,191 S**
(45) **Date of Patent:** **** Apr. 22, 2014**

(54) **SPEAKER**

(71) Applicant: **LG Electronics Inc.**, Seoul (KR)
(72) Inventors: **Gangho Woo**, Seoul (KR); **Byunglok Jeon**, Gyeonggi-do (KR)
(73) Assignee: **LG Electronics Inc.**, Seoul (KR)
(**) Term: **14 Years**

(21) Appl. No.: **29/450,765**

(22) Filed: **Mar. 22, 2013**

(30) **Foreign Application Priority Data**

Sep. 25, 2012 (KR) 30-2012-0046150

(51) **LOC (10) Cl.** **14-01**

(52) **U.S. Cl.**
USPC **D14/221; D14/204**

(58) **Field of Classification Search**
USPC D14/204, 209.1, 210–216, 221, 203.1,
D14/203.8, 496; 181/143, 144, 147, 148,
181/150–153, 157, 198, 199; 381/300–306,
381/332, 333, 336, 345, 361–364

See application file for complete search history.

(56) **References Cited**

U.S. PATENT DOCUMENTS

3,512,605	A *	5/1970	McCorkle	381/301
7,689,197	B2 *	3/2010	Laude et al.	455/344
D645,449	S *	9/2011	Kusuki	D14/214
D648,320	S *	11/2011	Kusuki	D14/214
D655,690	S *	3/2012	Yagi	D14/214
D669,883	S *	10/2012	Cheng	D14/214
D676,829	S *	2/2013	Kaneko	D14/209.1
D692,858	S *	11/2013	Millora et al.	D14/214

* cited by examiner

Primary Examiner — Prabhakar Deshmukh

(74) *Attorney, Agent, or Firm* — Morgan, Lewis & Bockius LLP

(57) **CLAIM**

The ornamental design for a speaker, as shown and described.

DESCRIPTION

FIG. 1 is a front, right side, perspective view of a speaker showing our new design;
FIG. 2 is a front view thereof;
FIG. 3 is a rear view thereof;
FIG. 4 is a left side view thereof;
FIG. 5 is a right side view thereof;
FIG. 6 is a top view thereof;
FIG. 7 is a bottom view thereof; and,
FIG. 8 is an enlarged right view thereof, showing the detail of the top and side surfaces.

1 Claim, 3 Drawing Sheets

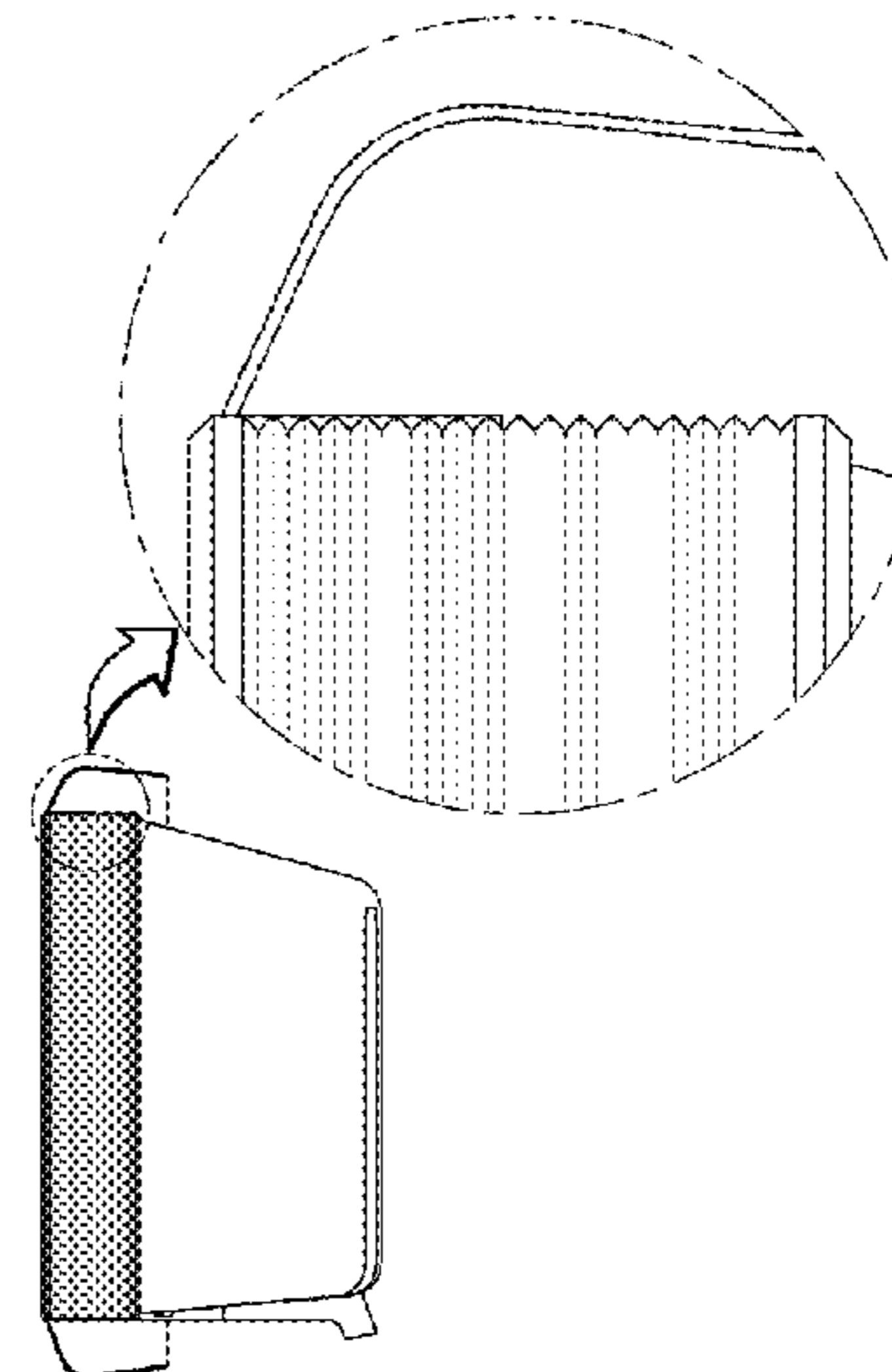
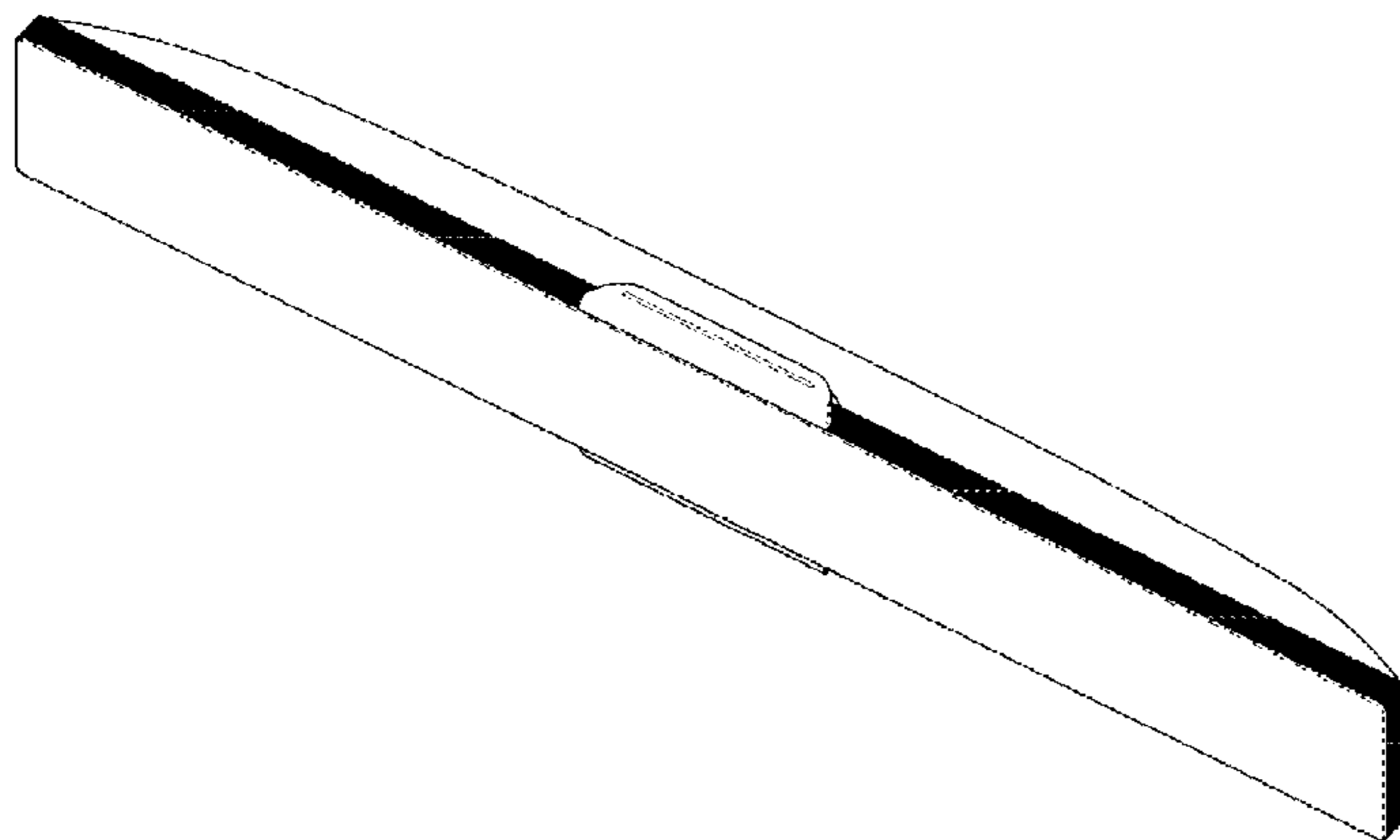


FIG. 1

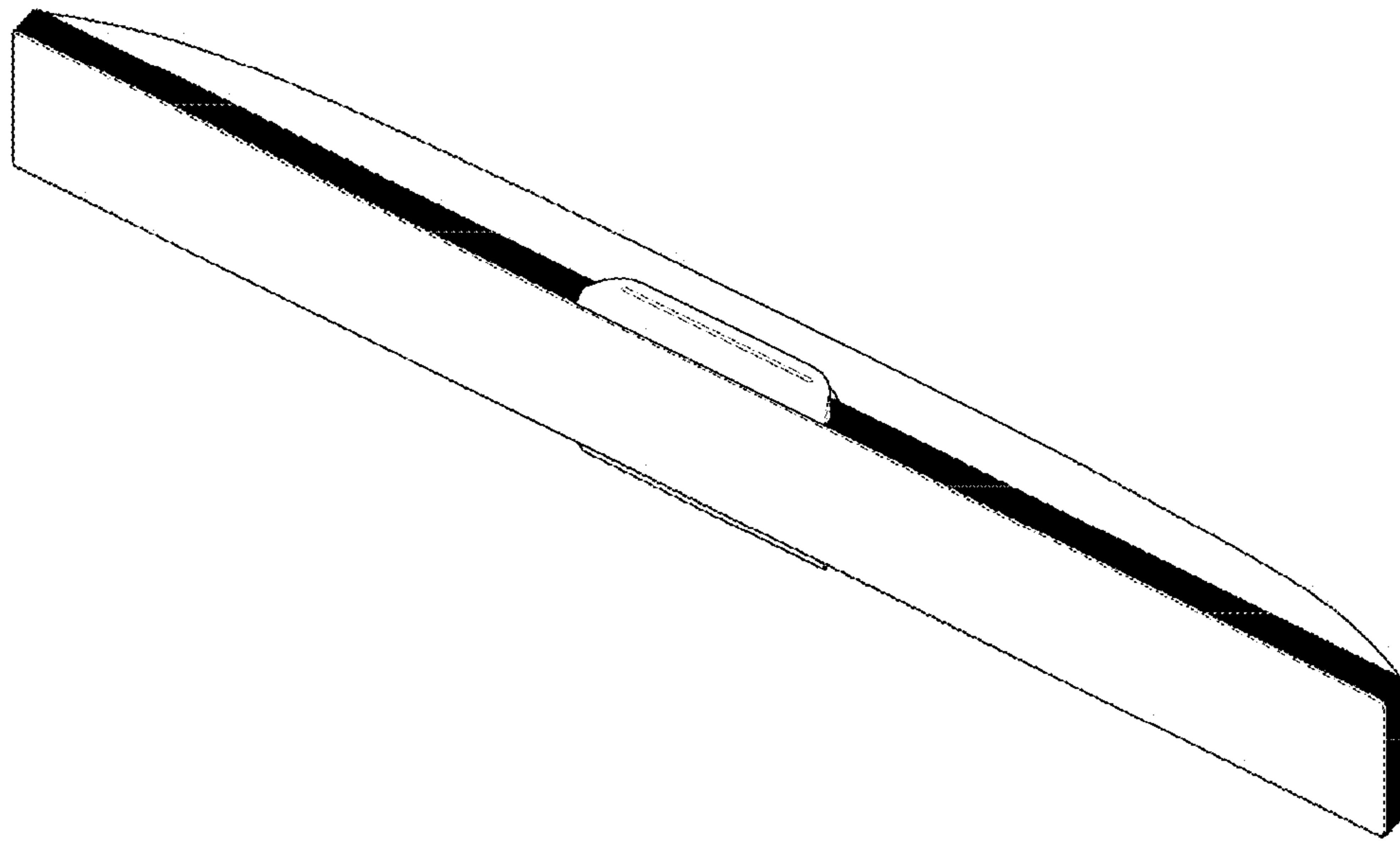


FIG. 2

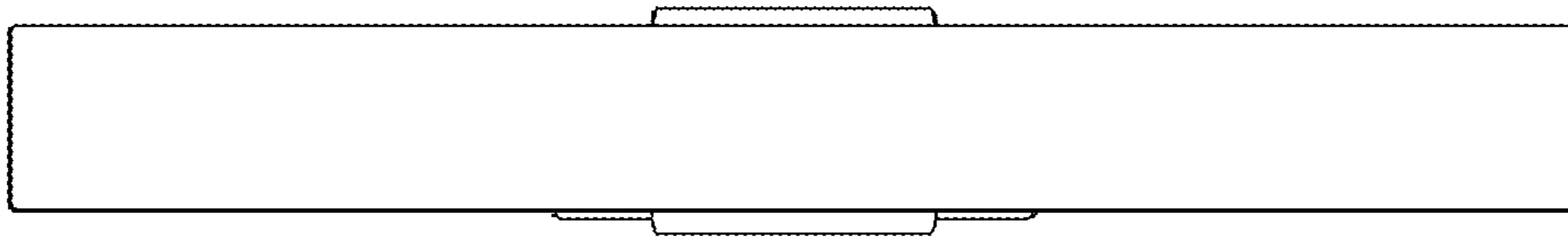


FIG. 3

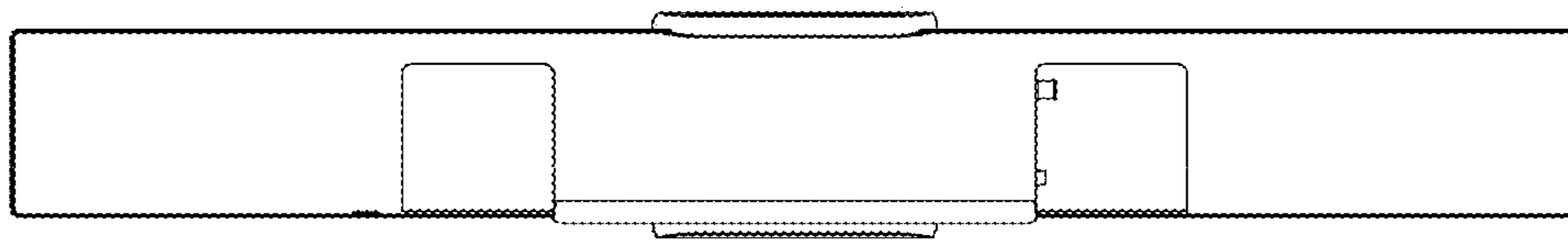


FIG. 4

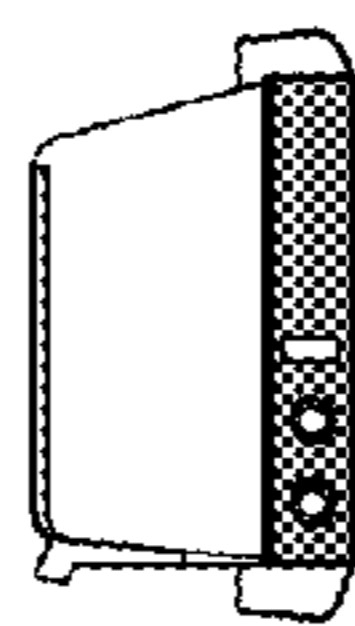


FIG. 5

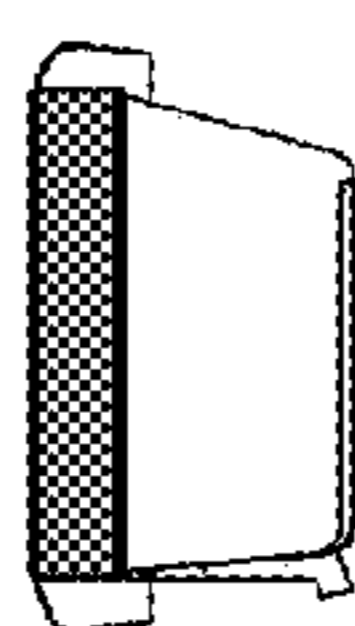


FIG. 6

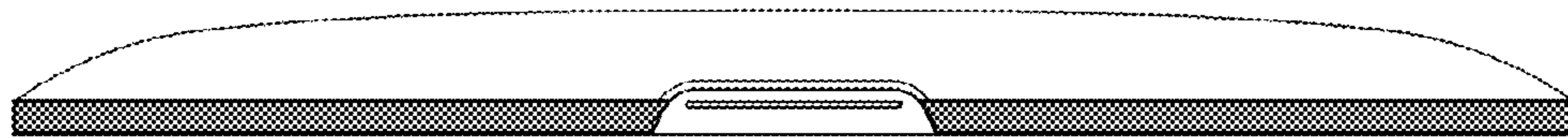


FIG. 7

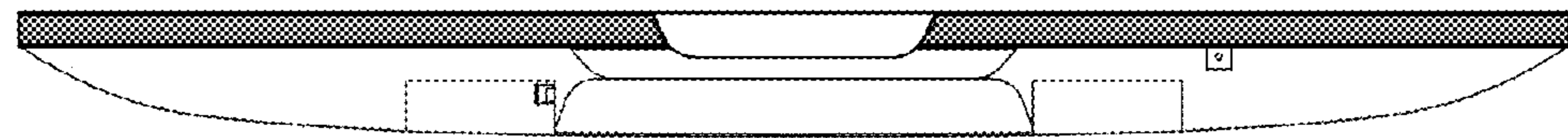


FIG. 8

