



US00D703186S

(12) **United States Design Patent**
Zaslavsky et al.

(10) **Patent No.:** **US D703,186 S**

(45) **Date of Patent:** **** *Apr. 22, 2014**

(54) **REMOTE CONTROL**

(75) Inventors: **Eduard Zaslavsky**, Issaquah, WA (US);
Arthur Vaysman, San Jose, CA (US)

(73) Assignee: **WebTuner, Corp.**, Redmond, WA (US)

(*) Notice: This patent is subject to a terminal disclaimer.

(**) Term: **14 Years**

(21) Appl. No.: **29/417,867**

(22) Filed: **Apr. 10, 2012**

(51) **LOC (10) Cl.** **14-03**

(52) **U.S. Cl.**
USPC **D14/218**

(58) **Field of Classification Search**
USPC D14/218, 455; D13/168; D21/566;
D10/104, 106; 345/169; 348/14.05,
348/114, 211.99, 734; 340/825.24; 341/22;
455/92, 95, 128, 151.1-151.4, 352,
455/355, FOR. 121; 700/65

See application file for complete search history.

(56) **References Cited**

U.S. PATENT DOCUMENTS

D381,663 S *	7/1997	Friis	D14/141.3
D535,261 S *	1/2007	Daniels	D13/168
D568,827 S *	5/2008	Ikeda et al.	D13/168
D608,765 S *	1/2010	Tsai et al.	D14/218
D620,456 S *	7/2010	Akana et al.	D13/168
D640,669 S *	6/2011	Cho et al.	D14/218
D642,161 S *	7/2011	Akana et al.	D14/218
D647,510 S *	10/2011	Maier et al.	D14/218
D647,511 S *	10/2011	Maier et al.	D14/218
D656,488 S *	3/2012	Nakayama et al.	D14/218
D661,688 S *	6/2012	Weitgasser	D14/218
D661,689 S *	6/2012	Weitgasser	D14/218

D661,690 S *	6/2012	Weitgasser	D14/218
D661,691 S *	6/2012	Weitgasser	D14/218
D663,289 S *	7/2012	Murchison et al.	D14/218
D665,819 S *	8/2012	Andre et al.	D14/496
D687,815 S *	8/2013	Hwangho et al.	D14/218

* cited by examiner

Primary Examiner — John Windmuller

(74) *Attorney, Agent, or Firm* — Remenick PLLC

(57) **CLAIM**

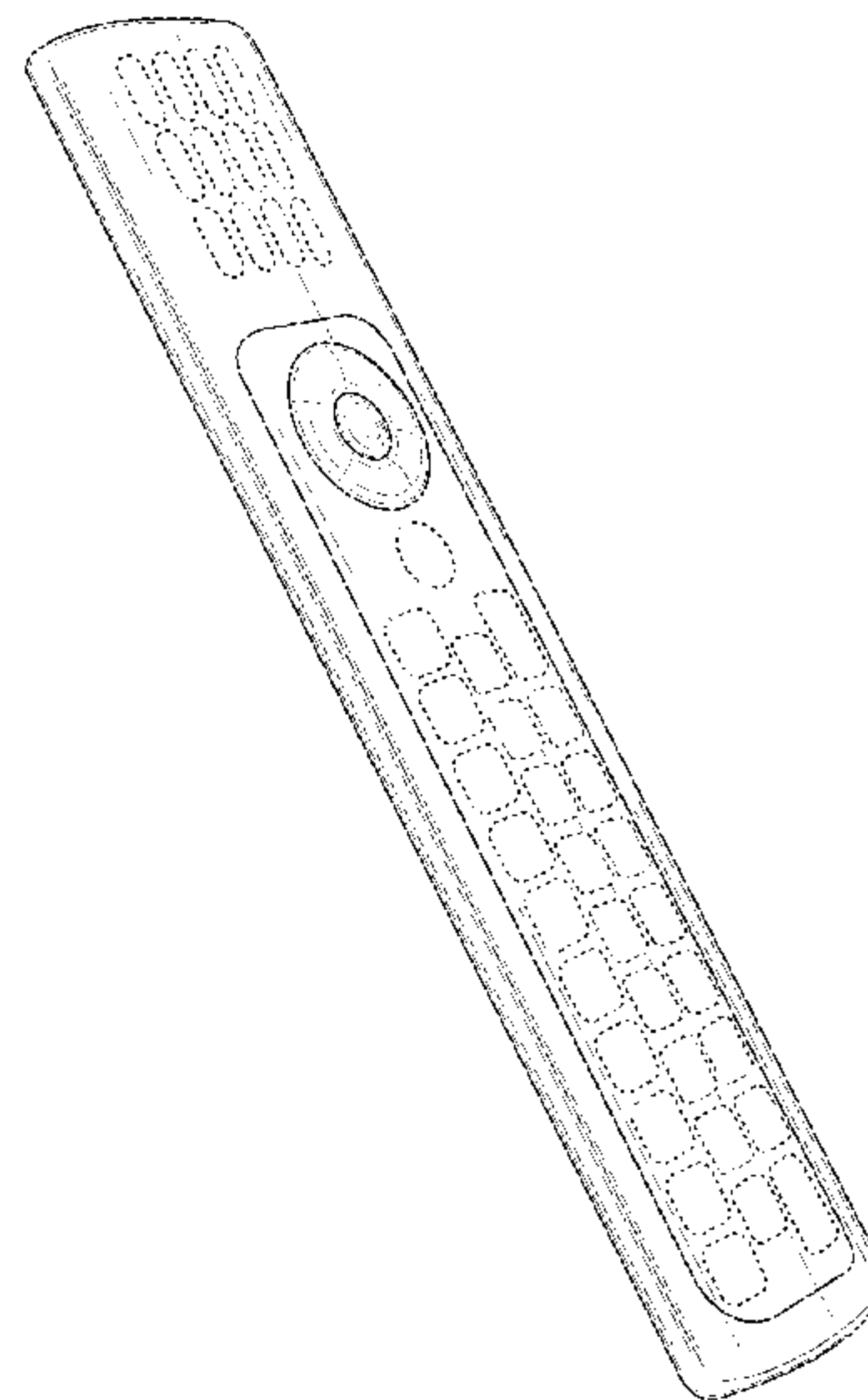
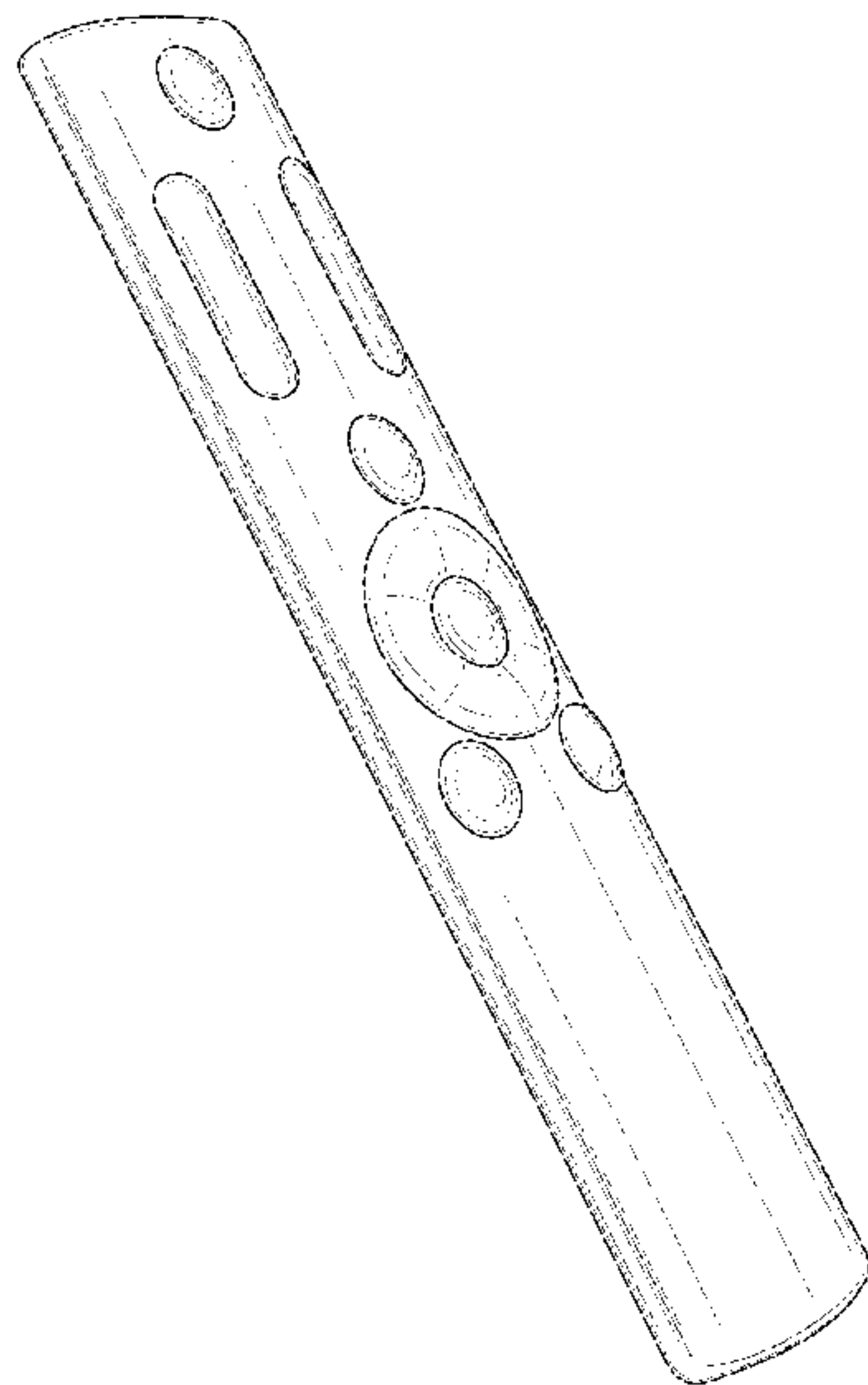
The ornamental design for a remote control, as shown and described.

DESCRIPTION

FIG. 1 is a top perspective view of a remote control showing a first embodiment of our new design;
 FIG. 2 is a bottom perspective view thereof;
 FIG. 3 is a top view thereof;
 FIG. 4 is a bottom view thereof;
 FIG. 5 is a right side view thereof;
 FIG. 6 is a left side view thereof;
 FIG. 7 is a front view thereof;
 FIG. 8 is a rear view thereof;
 FIG. 9 is a front perspective view thereof;
 FIG. 10 is a top perspective view of a remote control showing a second embodiment of our new design;
 FIG. 11 is a bottom perspective view thereof;
 FIG. 12 is a top view thereof;
 FIG. 13 is a bottom view thereof;
 FIG. 14 is a right side view thereof;
 FIG. 15 is a left side view thereof;
 FIG. 16 is a front view thereof;
 FIG. 17 is a rear view thereof; and,
 FIG. 18 is a front perspective view thereof.

The broken line showings of elements of the remote control are for environmental purposes only and form no part of the claimed design.

1 Claim, 10 Drawing Sheets



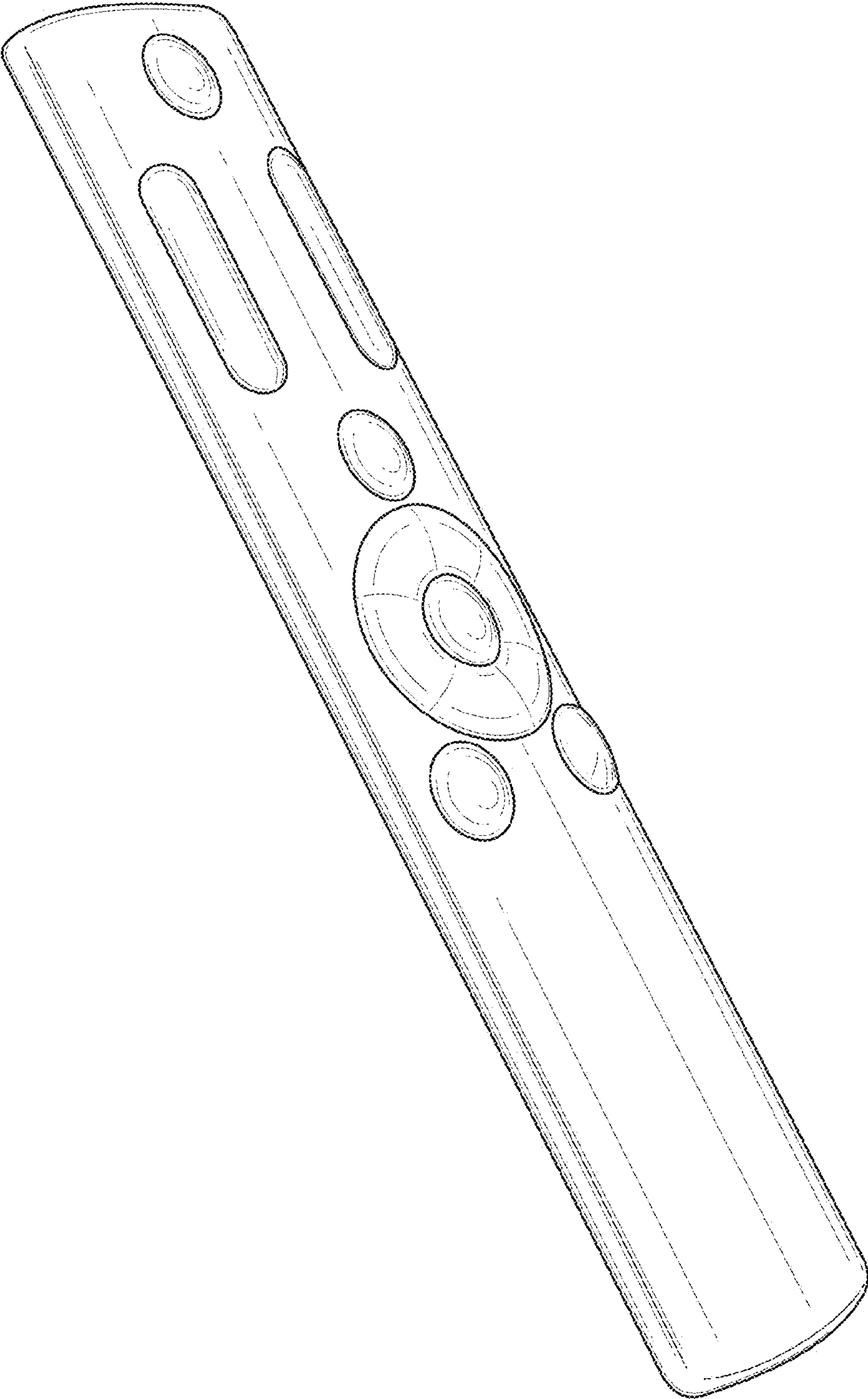


FIG. 1

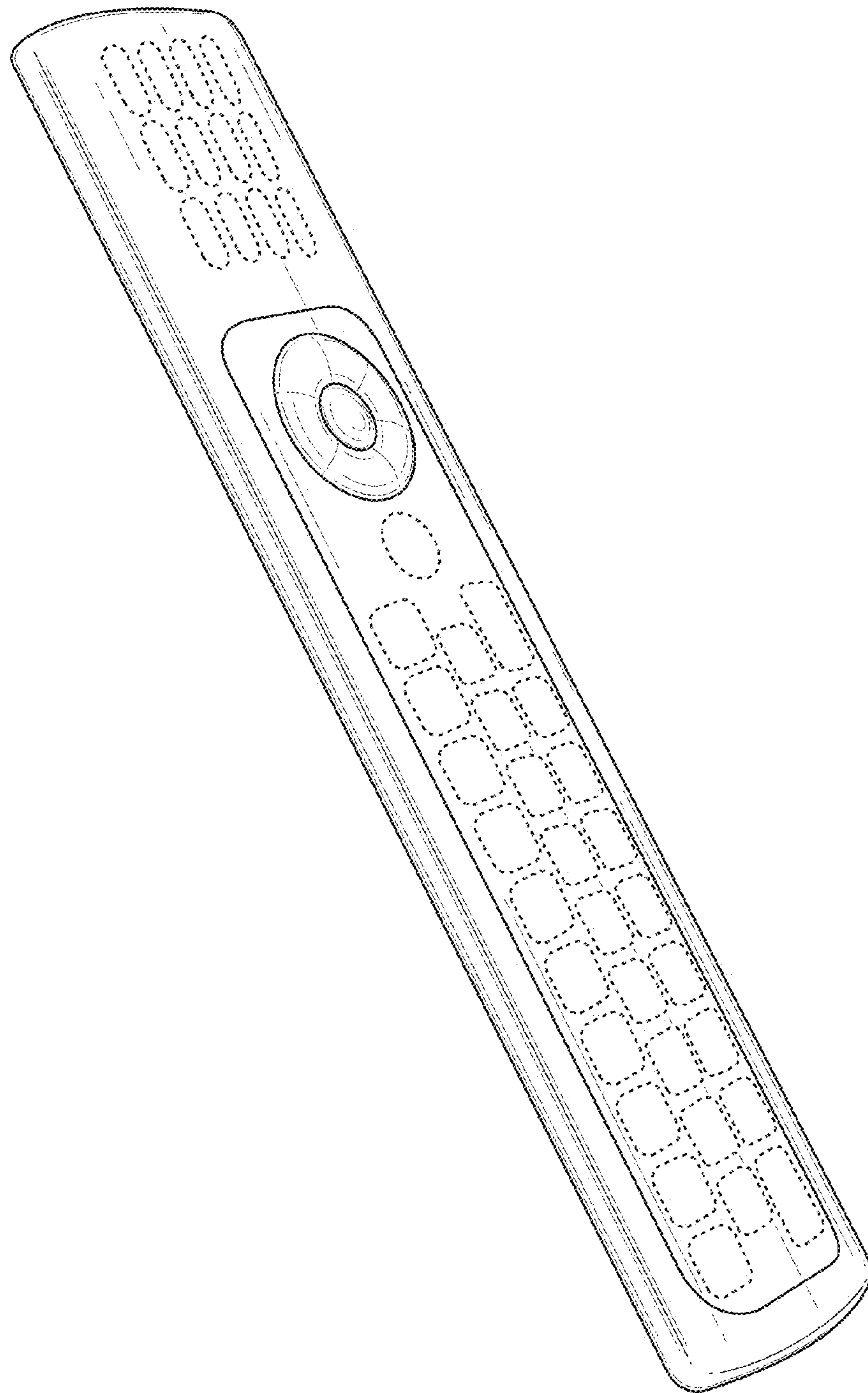


FIG. 2

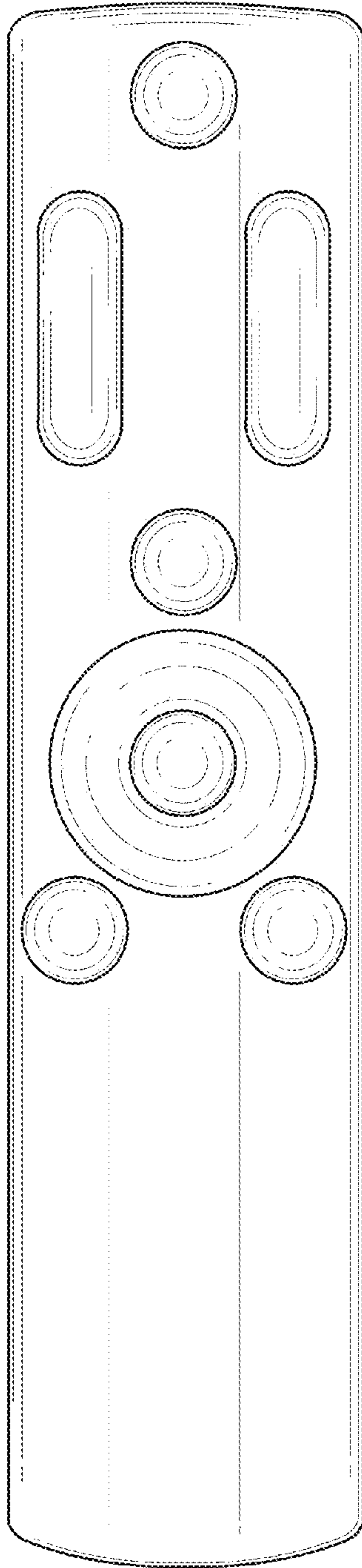


FIG. 3

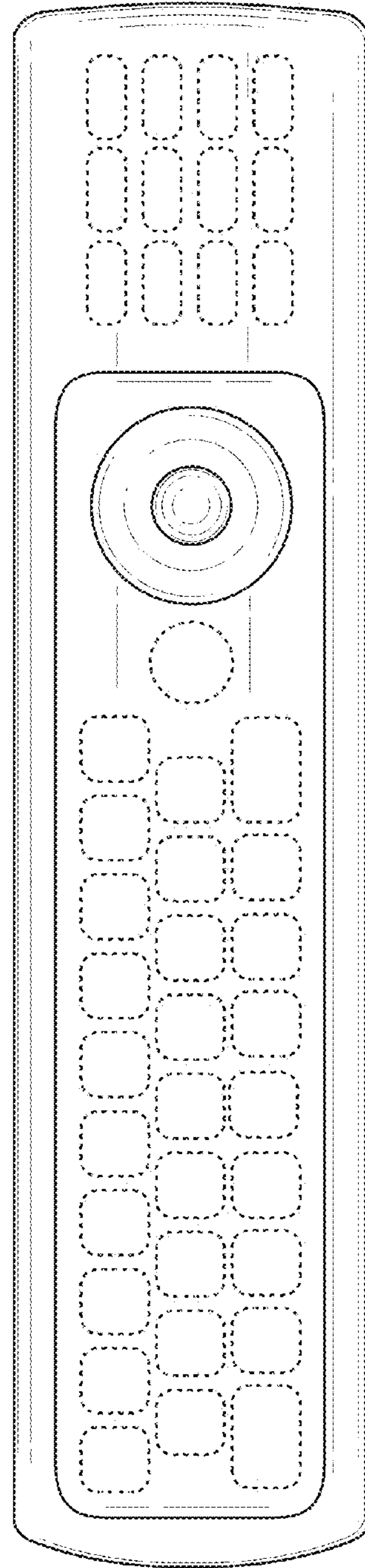


FIG. 4

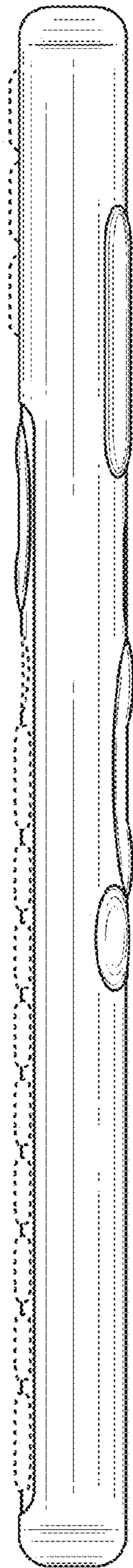


FIG. 5

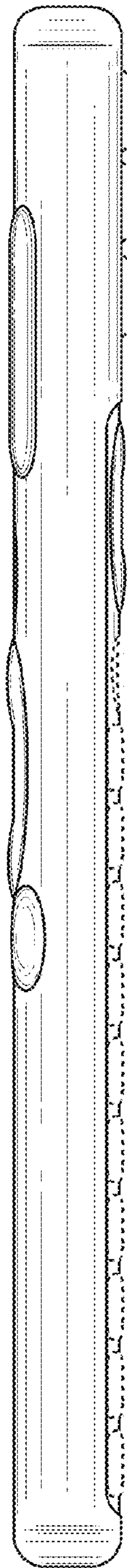


FIG. 6



FIG. 7

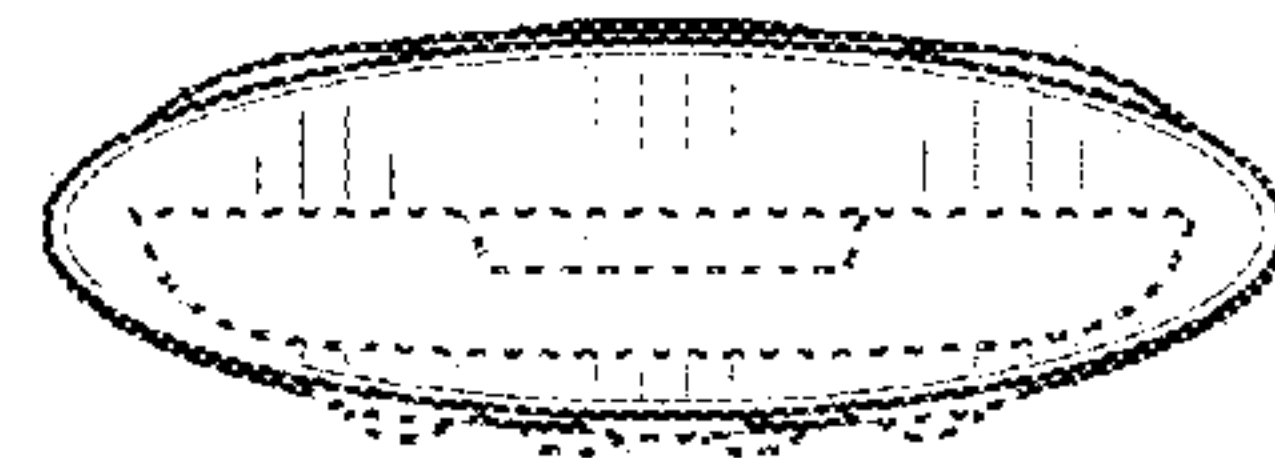


FIG. 8

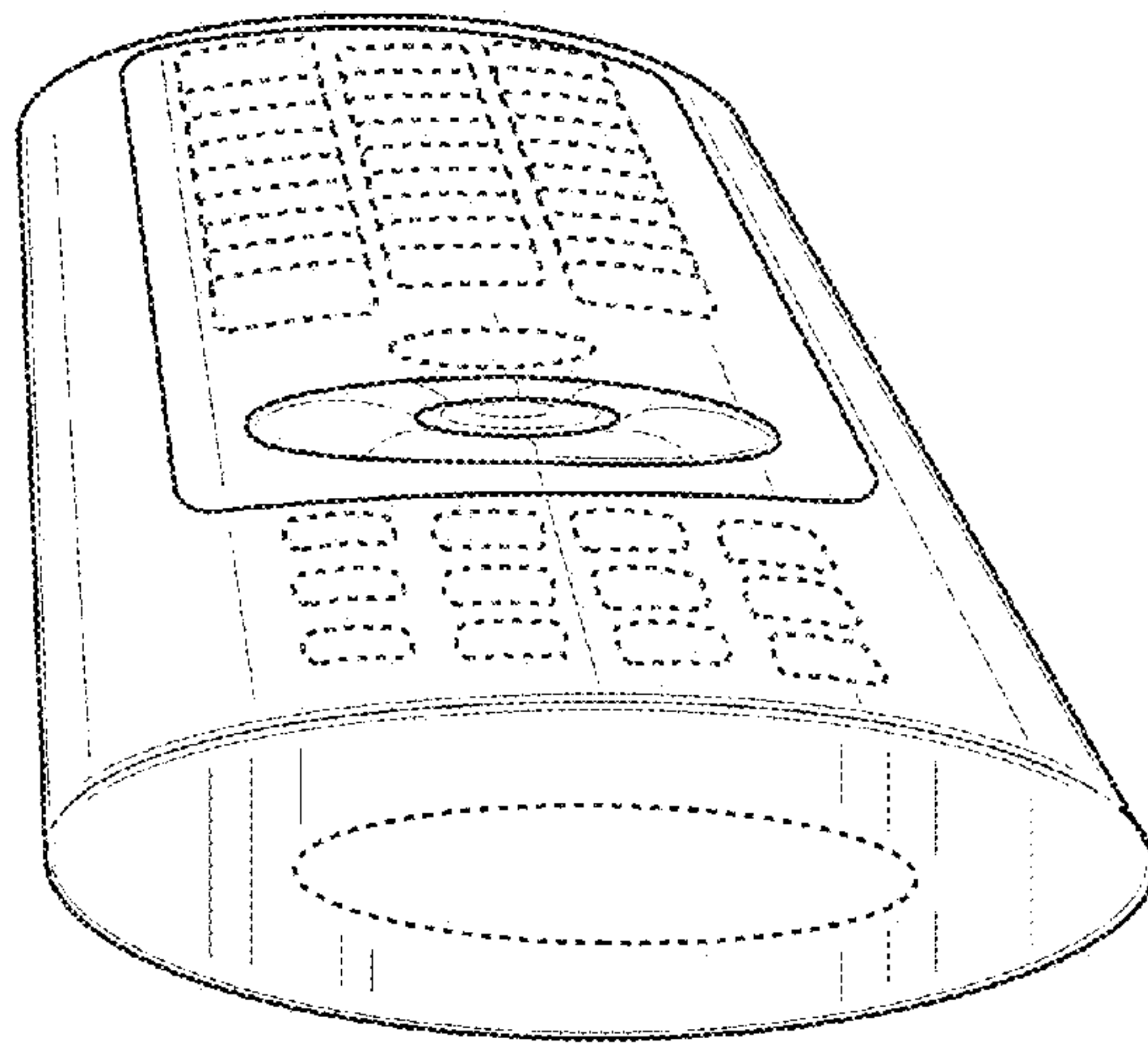


FIG. 9

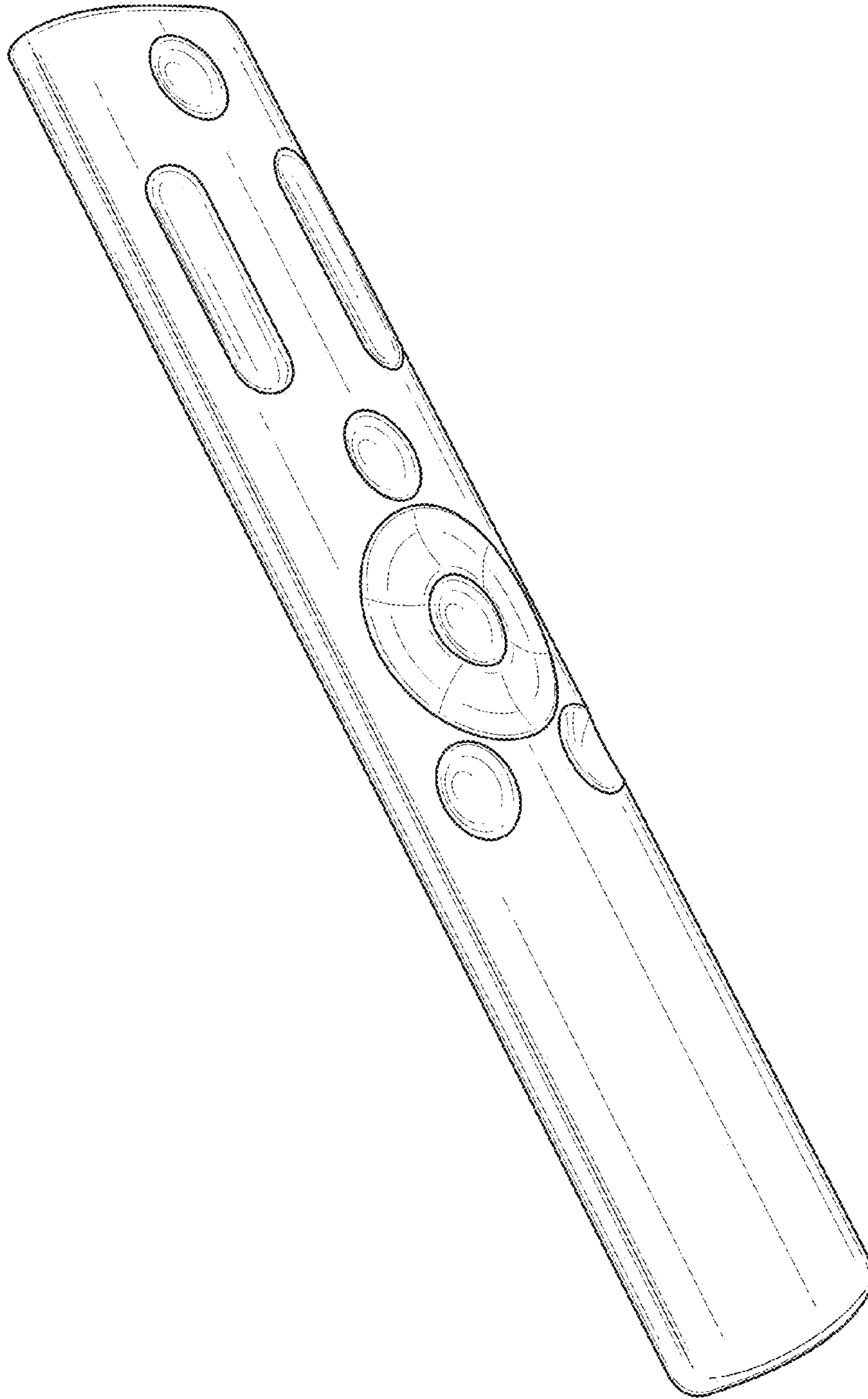


FIG. 10

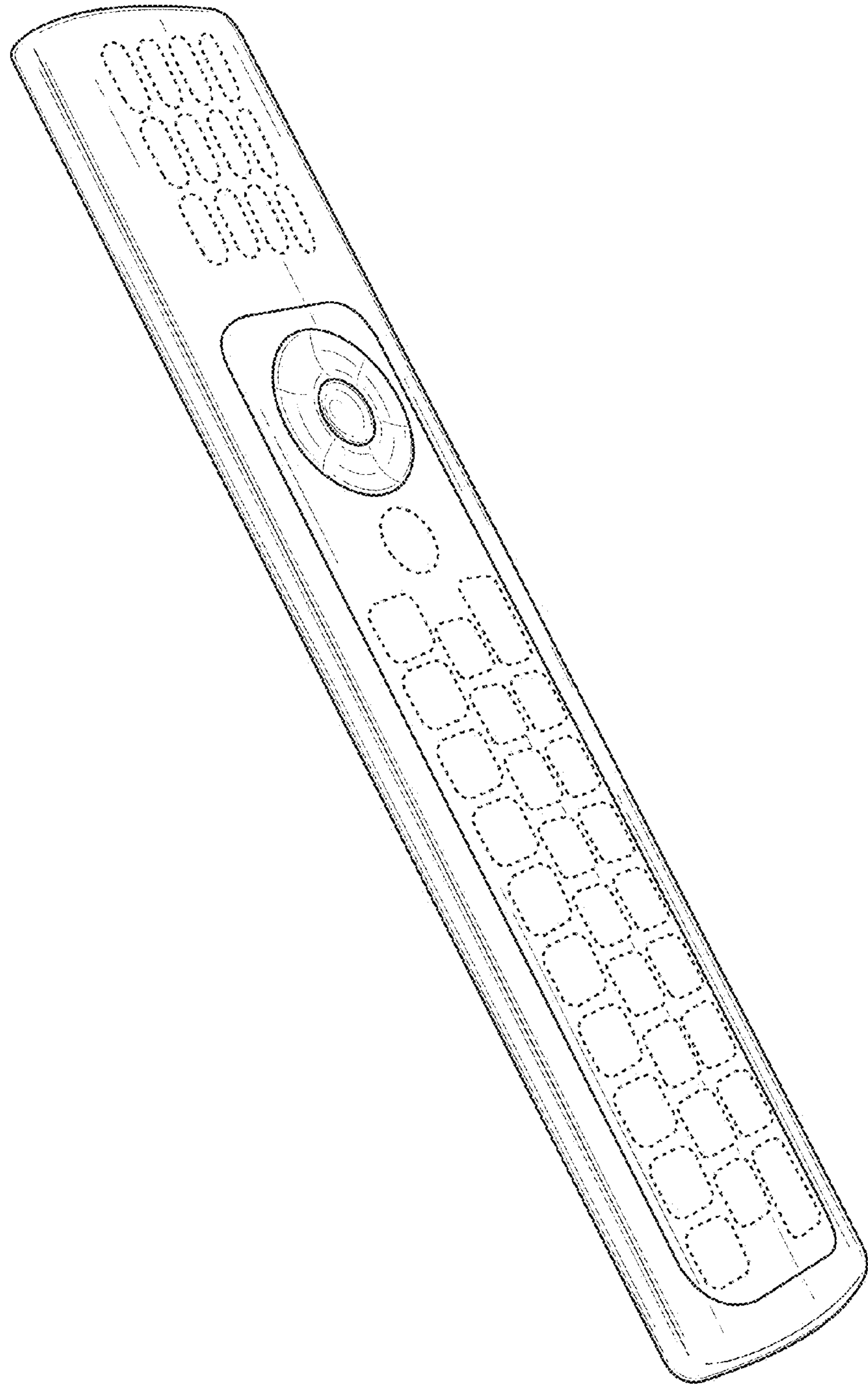


FIG. 11

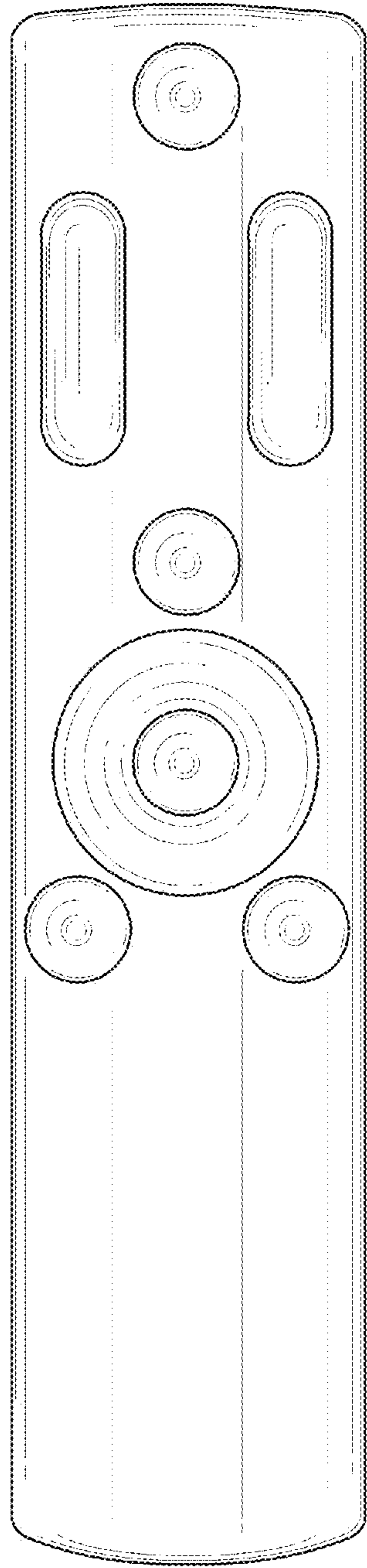


FIG. 12

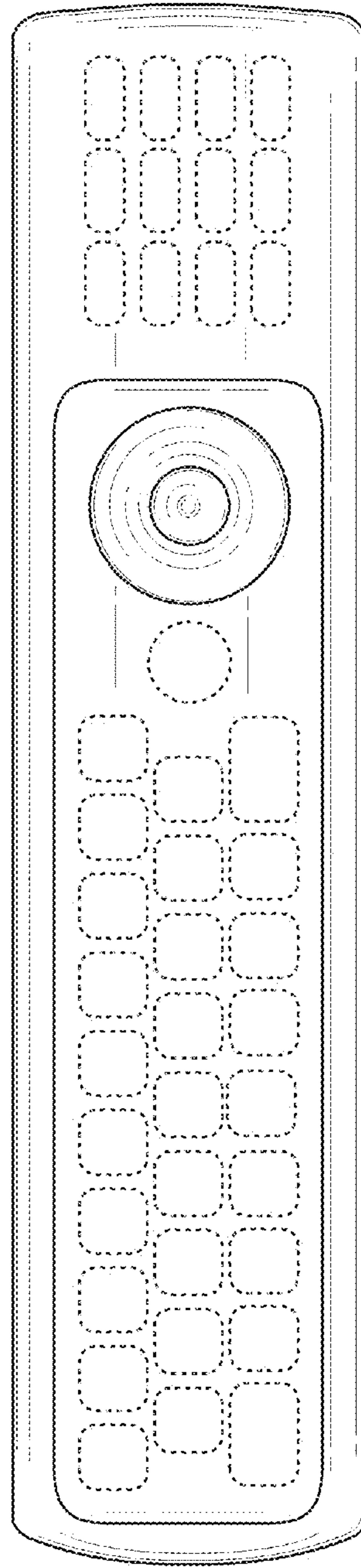


FIG. 13

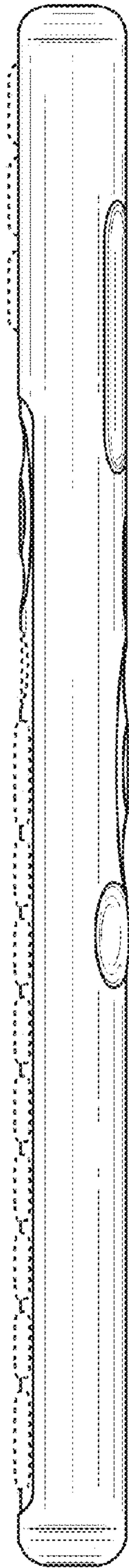


FIG. 14

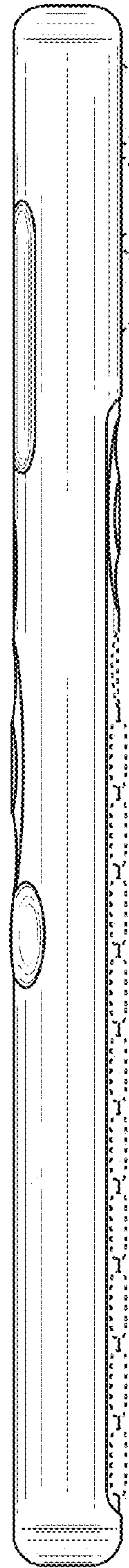


FIG. 15

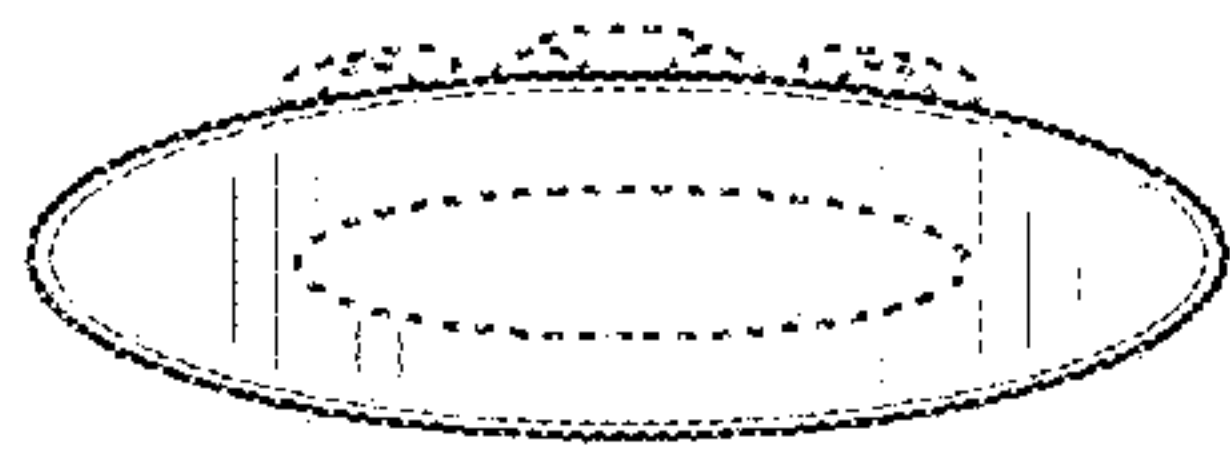


FIG. 16

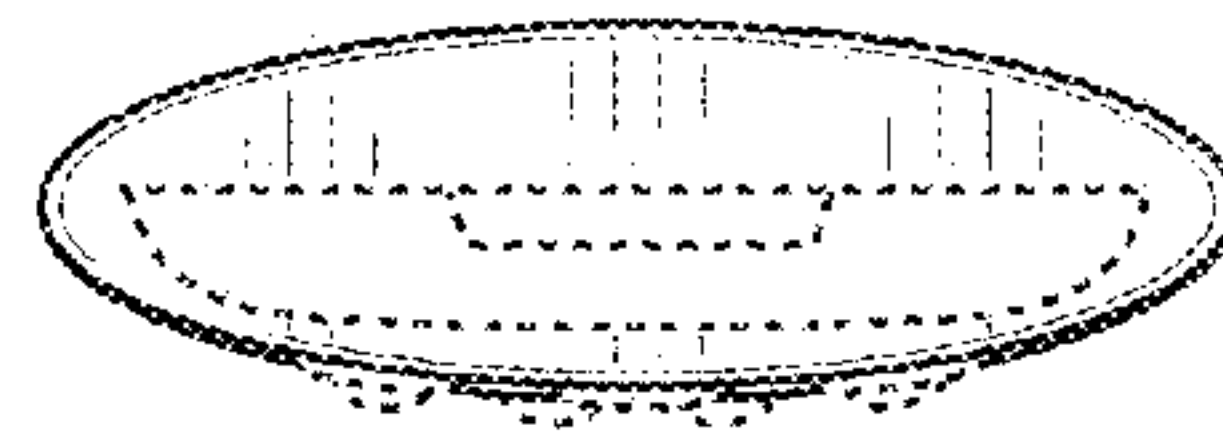


FIG. 17

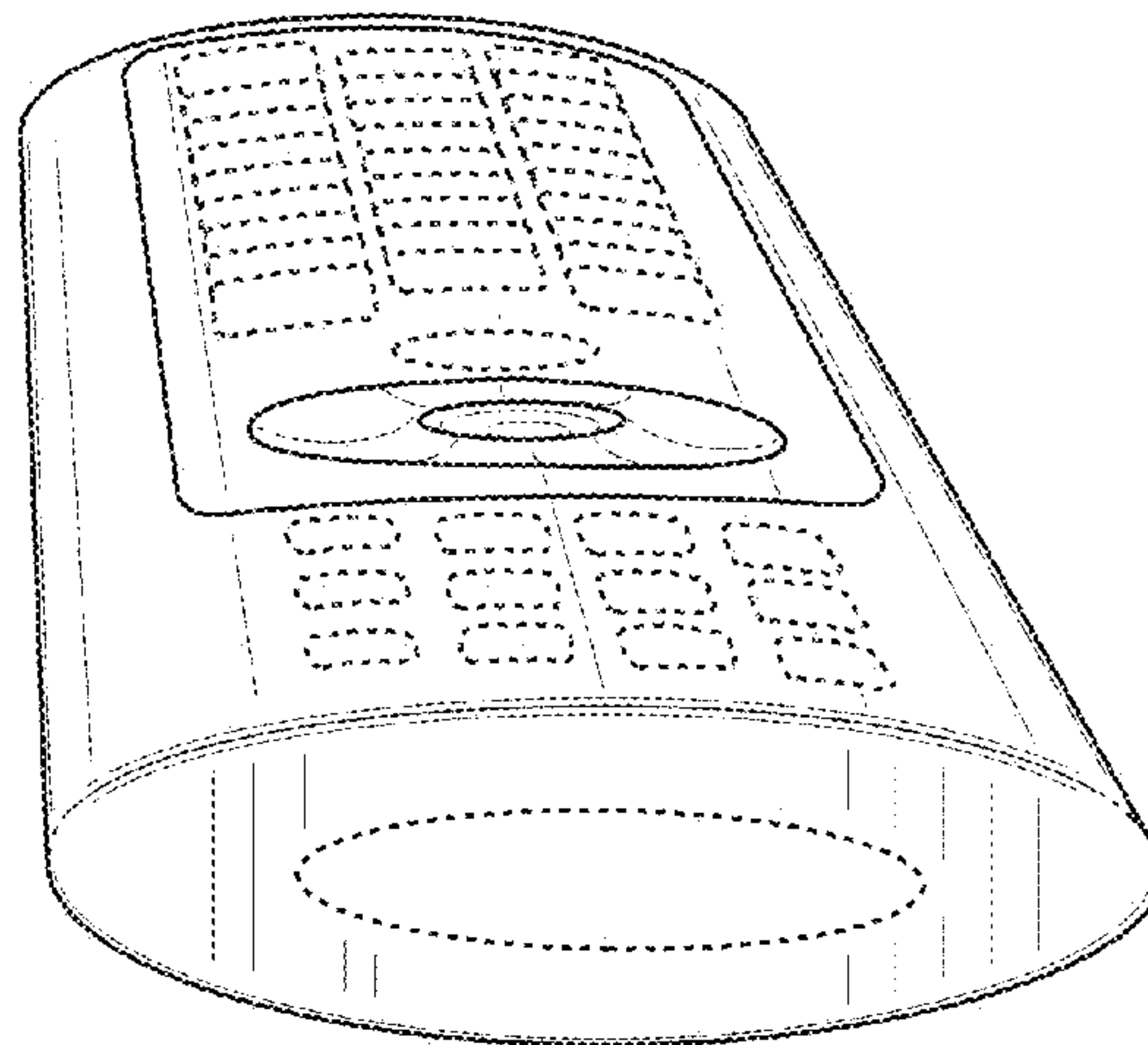


FIG. 18