



US00D703185S

(12) **United States Design Patent**  
**Kim**

(10) **Patent No.:** **US D703,185 S**

(45) **Date of Patent:** **\*\* Apr. 22, 2014**

(54) **DOCKING AUDIO**

(75) Inventor: **Ji-Gwang Kim**, Seoul (KR)

(73) Assignee: **Samsung Electronics Co., Ltd.**,  
Suwon-si, Gyeonggi-do (KR)

(\*\*) Term: **14 Years**

(21) Appl. No.: **29/430,091**

(22) Filed: **Aug. 21, 2012**

(30) **Foreign Application Priority Data**

Apr. 24, 2012 (KR) ..... 30-2012-0019583

(51) **LOC (10) Cl.** ..... **14-01**

(52) **U.S. Cl.**  
USPC ..... **D14/209.1**

(58) **Field of Classification Search**  
USPC ..... D14/204, 204.1, 210–216, 172, 188,  
D14/356, 496, 137, 168, 265; 181/143, 144,  
181/147, 148, 150–153, 157, 198, 199;  
381/300–306, 332, 333, 336, 345,  
381/361–364; 455/344–351  
See application file for complete search history.

(56) **References Cited**

**U.S. PATENT DOCUMENTS**

4,070,546 A \* 1/1978 Hirota ..... 381/300  
5,146,618 A \* 9/1992 Wenner ..... 455/345  
5,546,468 A \* 8/1996 Beard ..... 381/86  
D551,679 S \* 9/2007 Hayes ..... D14/496  
D558,788 S \* 1/2008 Yu et al. .... D14/496

D600,251 S \* 9/2009 Poandl ..... D14/496  
7,689,197 B2 \* 3/2010 Laude et al. .... 455/344  
D625,288 S \* 10/2010 Ueda ..... D14/209.1  
D659,119 S \* 5/2012 Brunner et al. .... D14/209.1  
D678,863 S \* 3/2013 Inada ..... D14/209.1  
D683,718 S \* 6/2013 Brunner et al. .... D14/209.1  
D689,460 S \* 9/2013 Chen ..... D14/172

**OTHER PUBLICATIONS**

U.S. Appl. No. 29/430,090, Applicant: Ji-Gwang Kim, filed Aug. 21, 2012 entitled Docking Audio.

\* cited by examiner

*Primary Examiner* — Prabhakar Deshmukh

(74) *Attorney, Agent, or Firm* — Flynn, Thiel, Boutell & Tanis, P.C.

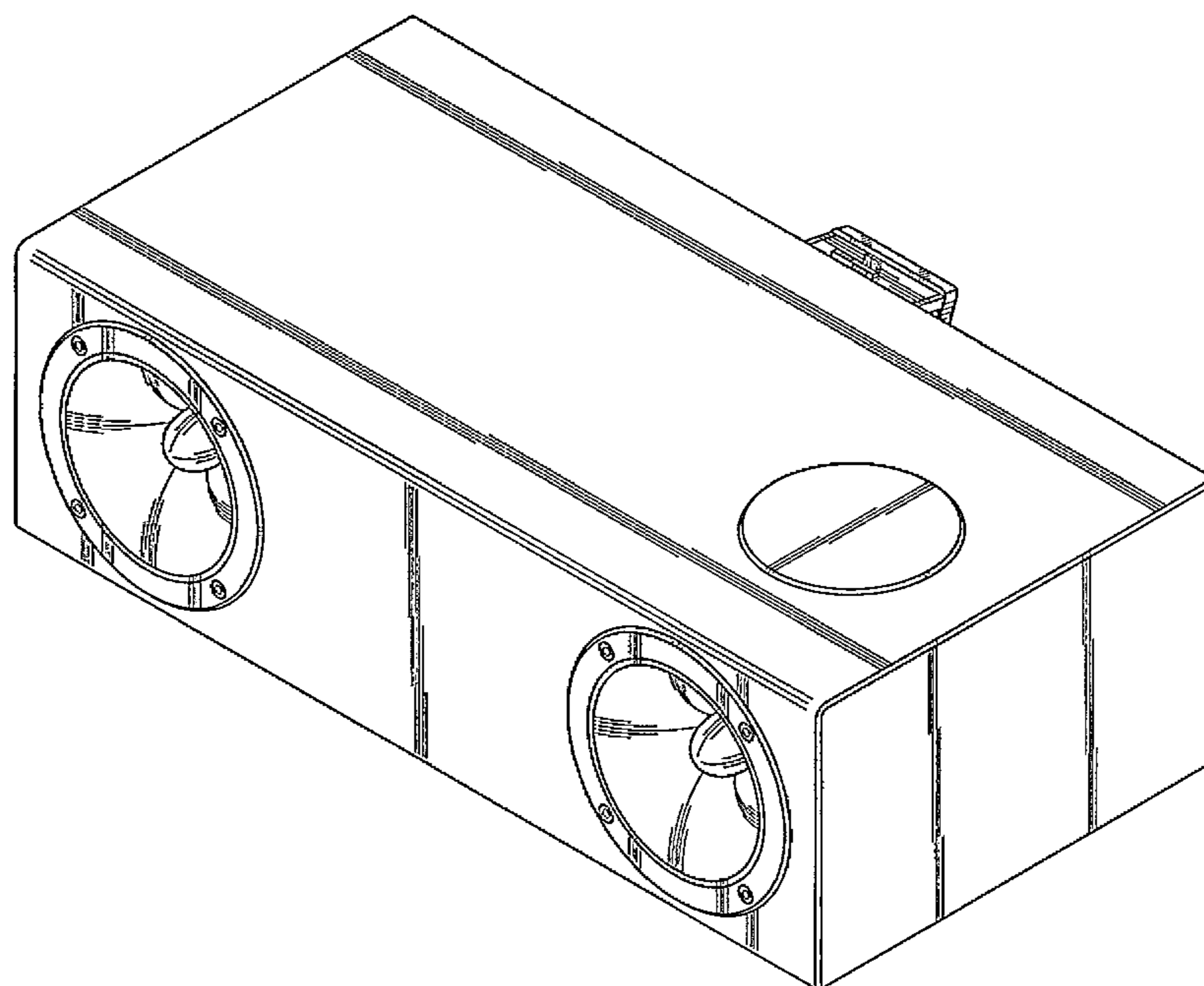
(57) **CLAIM**

The ornamental design for a docking audio, as shown and described.

**DESCRIPTION**

FIG. 1 is a top front perspective view of a docking audio showing my new design;  
FIG. 2 is a front elevational view thereof;  
FIG. 3 is a rear elevational view thereof;  
FIG. 4 is a left side elevational view thereof;  
FIG. 5 is a right side elevational view thereof;  
FIG. 6 is a top plan view thereof;  
FIG. 7 is a bottom plan view thereof; and,  
FIG. 8 is a right side view thereof when a docking device is kept into the inside the present docking audio.  
The broken lines illustrating portions of the docking audio are for environmental purposes only and form no part of the claimed design.

**1 Claim, 4 Drawing Sheets**



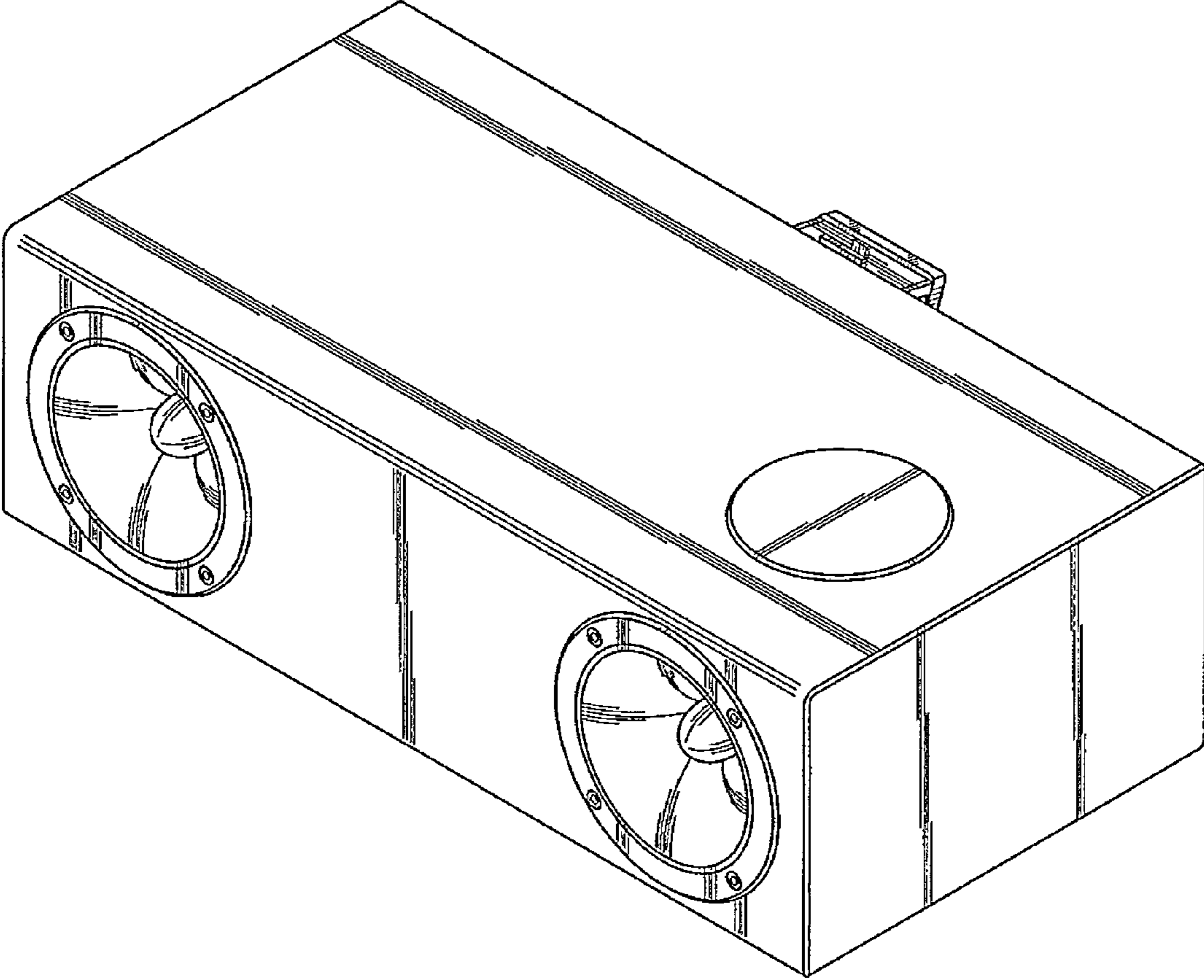


FIG. 1

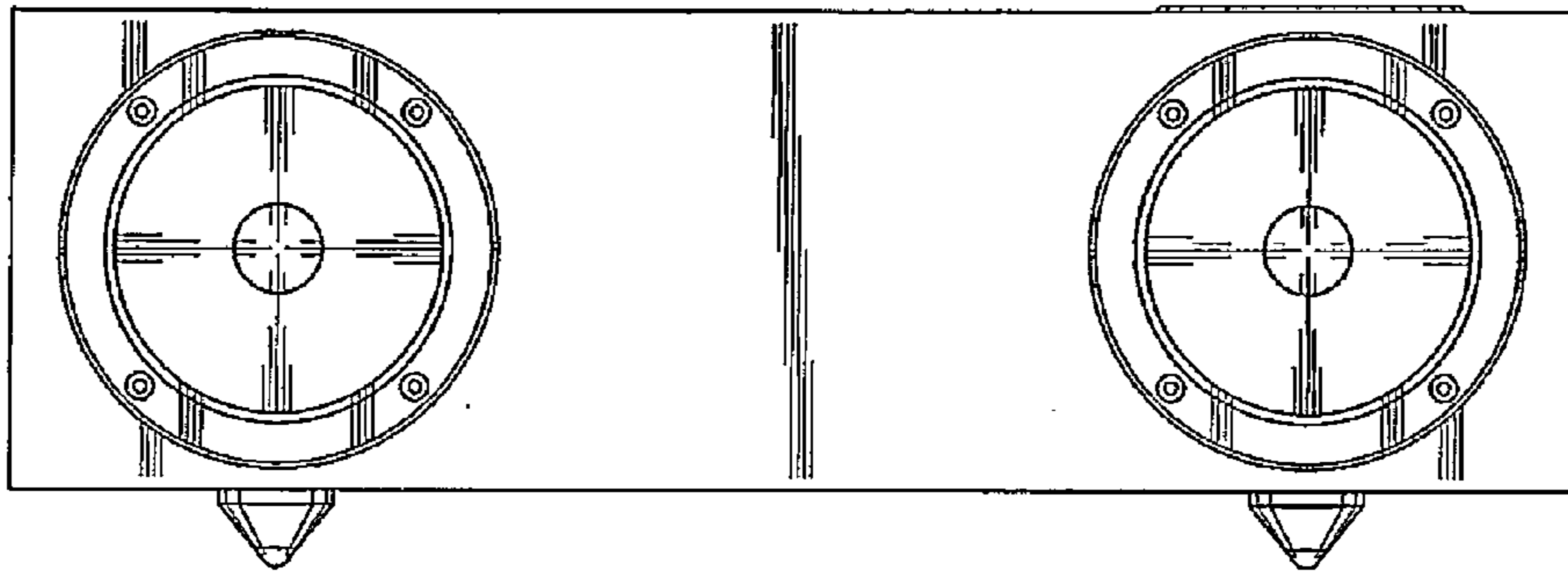


FIG. 2

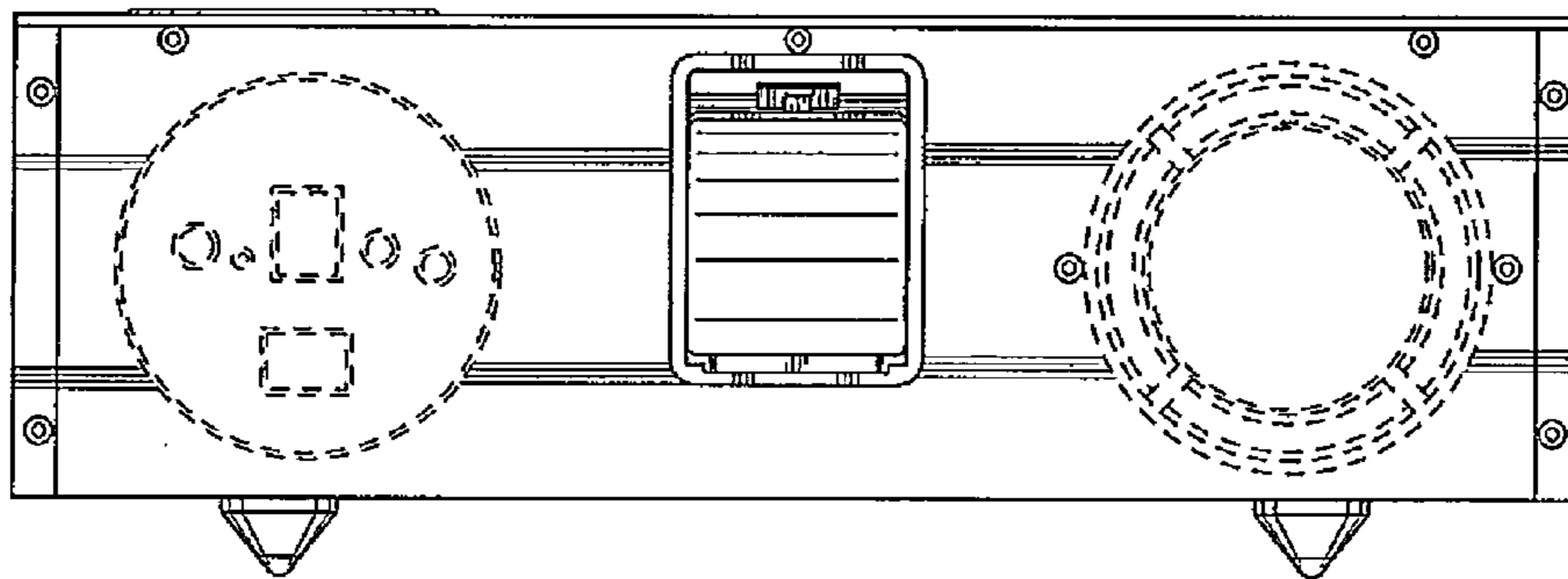


FIG. 3

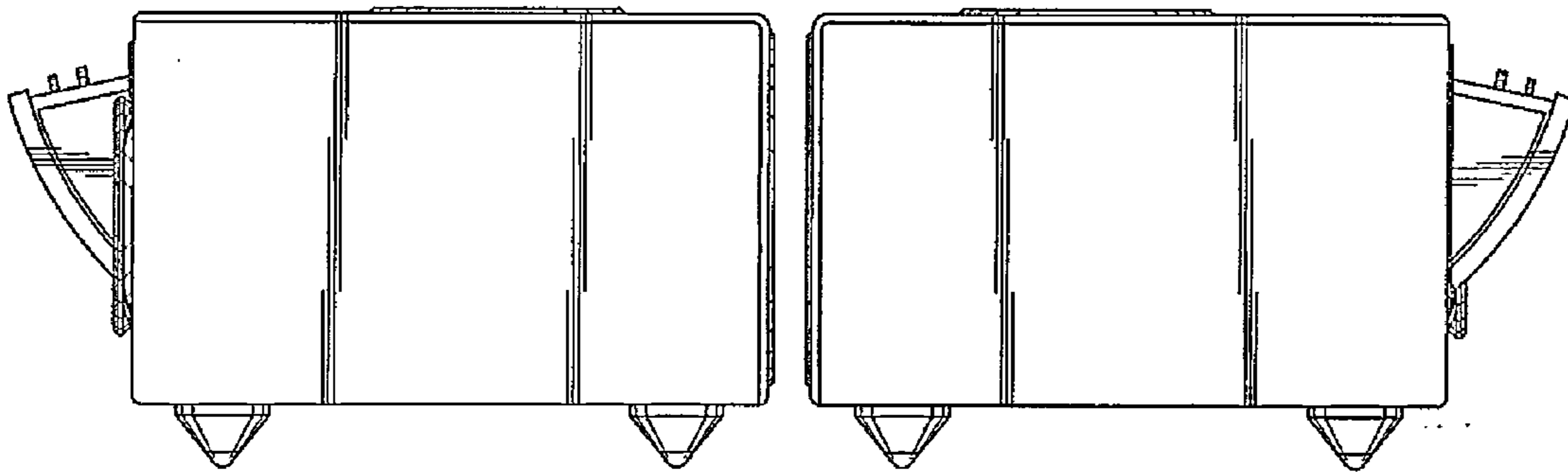


FIG. 4

FIG. 5

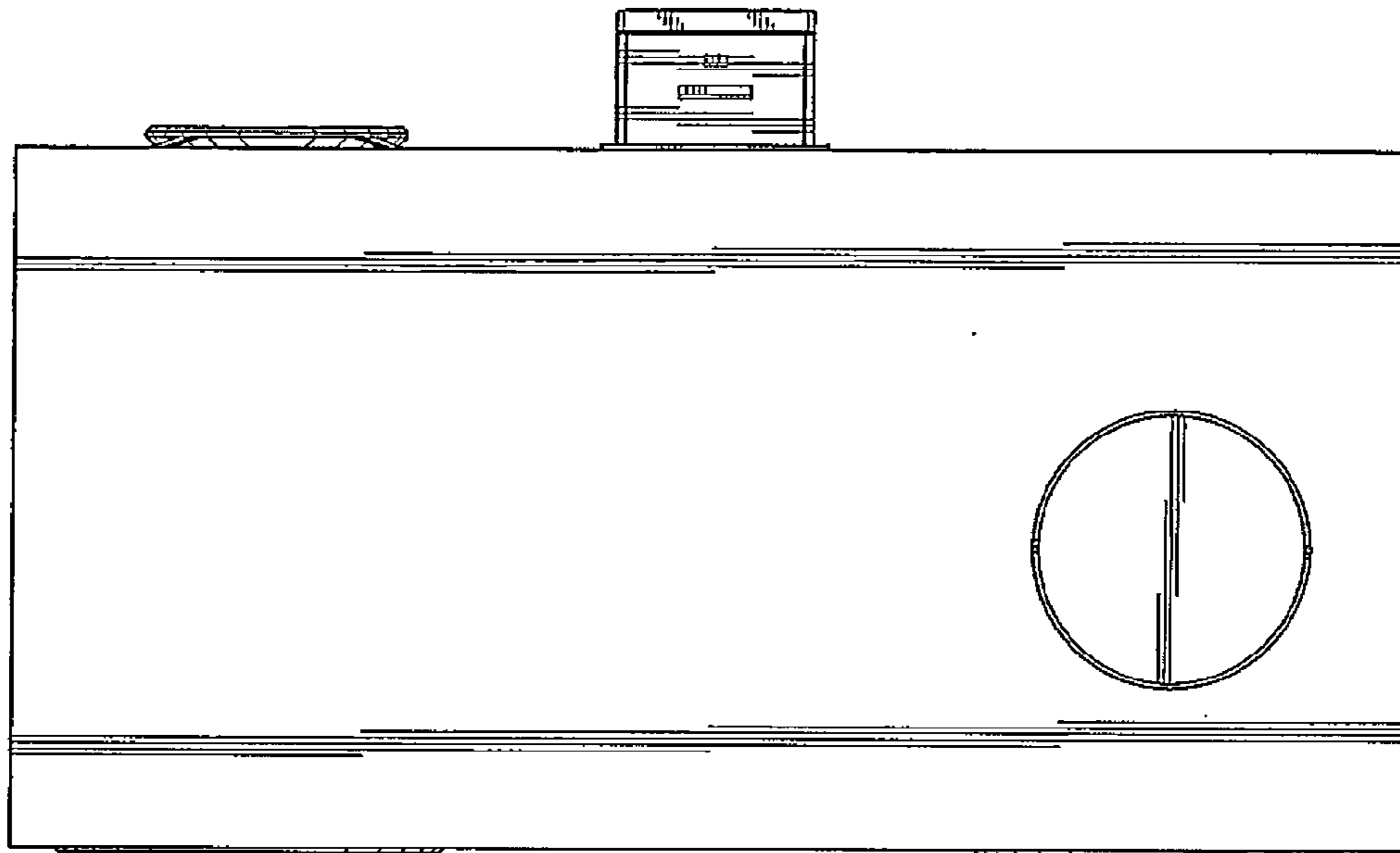


FIG. 6

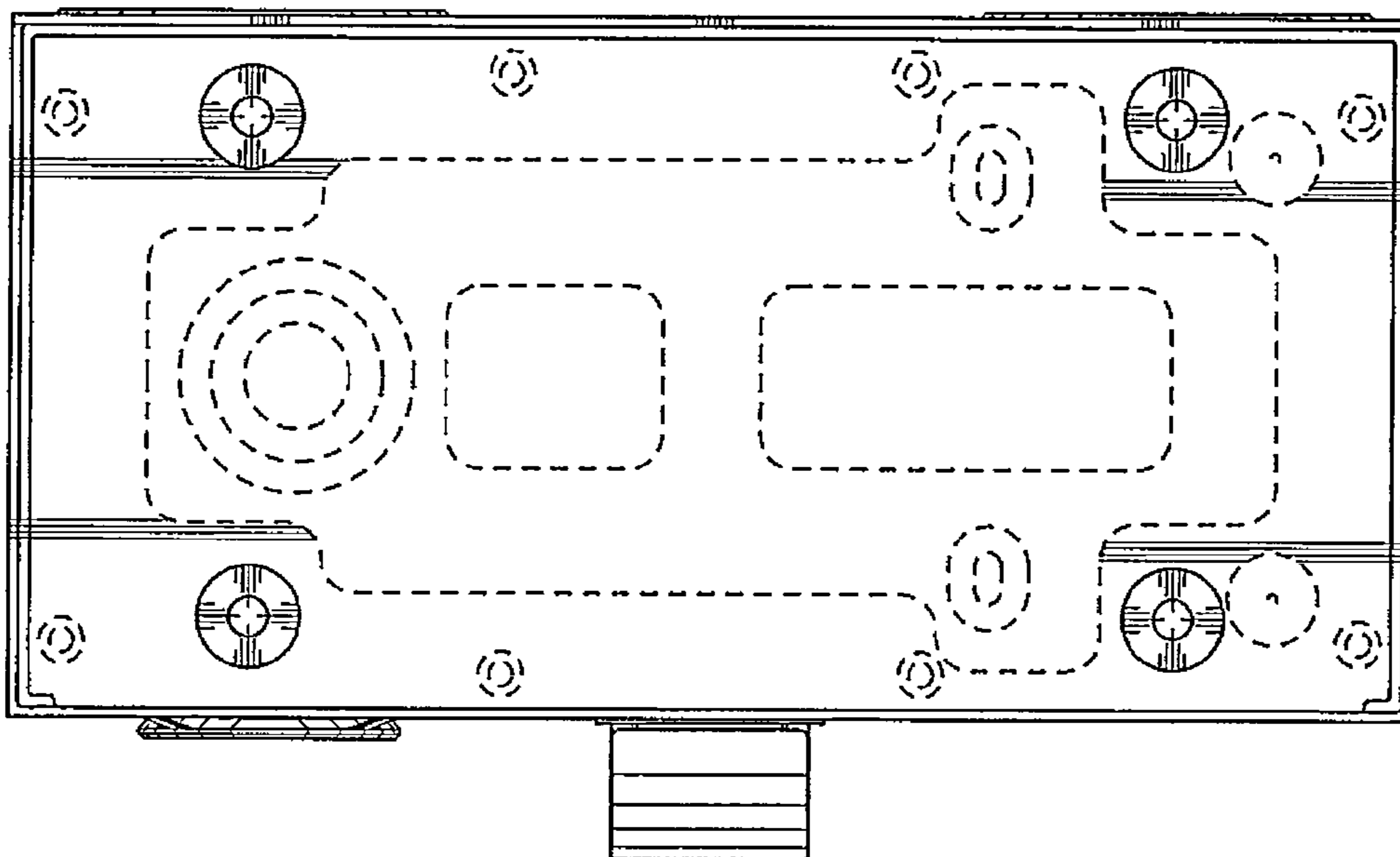


FIG. 7

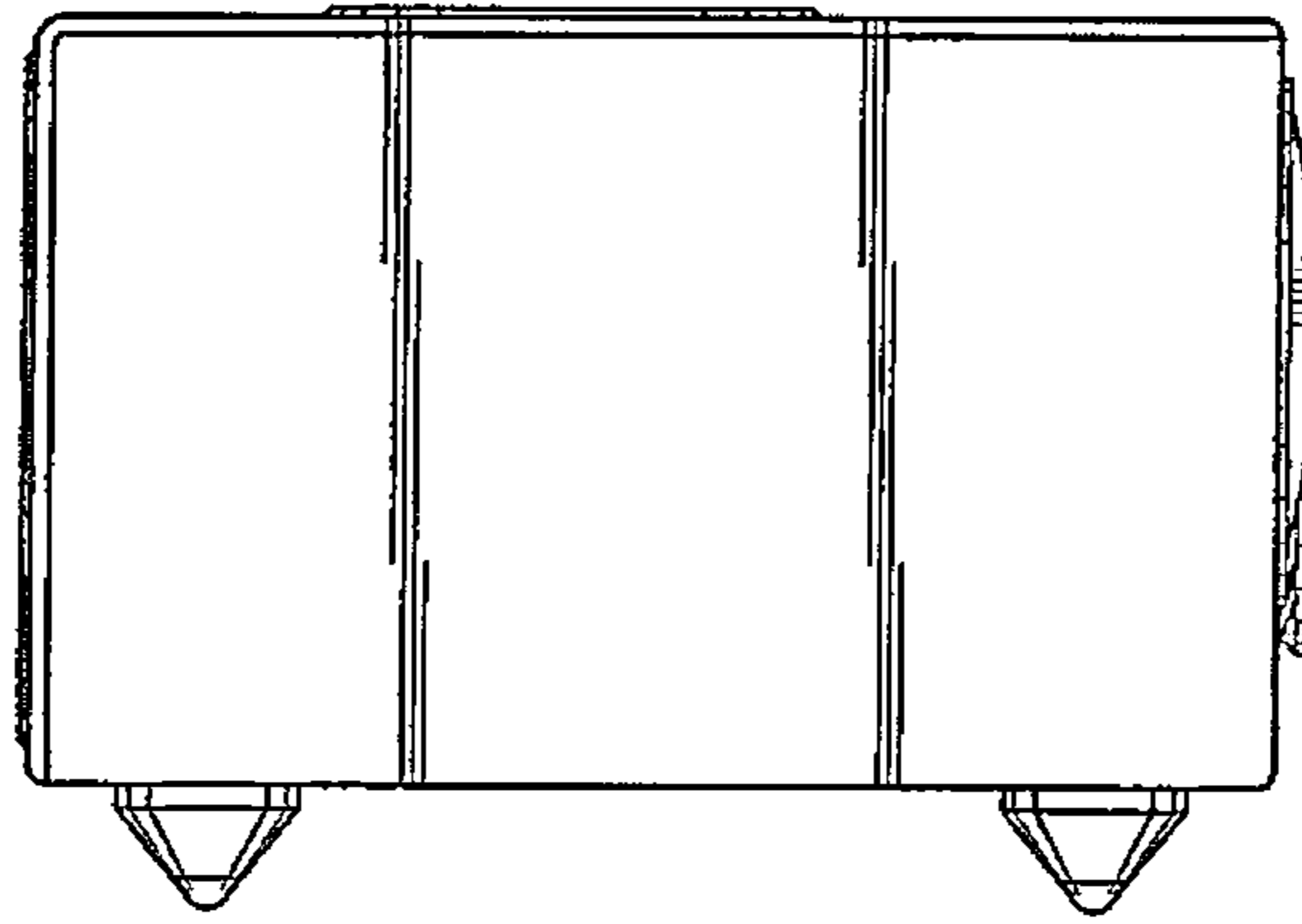


FIG. 8