



US00D703184S

(12) **United States Design Patent**
Yokoyama

(10) **Patent No.:** **US D703,184 S**
(45) **Date of Patent:** **** Apr. 22, 2014**

- (54) **SPEAKER BOX**
- (75) Inventor: **Hiroaki Yokoyama**, Tokyo (JP)
- (73) Assignee: **Sony Corporation**, Tokyo (JP)
- (**) Term: **14 Years**
- (21) Appl. No.: **29/421,644**
- (22) Filed: **Aug. 27, 2012**

D225,748 S *	1/1973	Boldt et al.	D14/212
3,815,707 A	6/1974	Burhoe		
D234,604 S	3/1975	Shimizu		
3,884,326 A	5/1975	Orisek		
3,931,867 A	1/1976	Janszen		
D247,490 S *	3/1978	Everidge	D14/212
4,348,549 A *	9/1982	Berlant	381/99
D281,316 S *	11/1985	Gary	D14/212
D290,953 S	7/1987	Sklaar et al.		
4,805,729 A	2/1989	Wascom		
D302,817 S	8/1989	Macaulay		
D360,635 S *	7/1995	Mark	D14/212
D393,642 S	4/1998	Yuyama		

(Continued)

Related U.S. Application Data

- (63) Continuation-in-part of application No. 29/371,526, filed on Apr. 4, 2011, now Pat. No. Des. 667,389, which is a continuation-in-part of application No. 29/347,570, filed on Mar. 5, 2010, now Pat. No. Des. 635,552.

Primary Examiner — Prabhakar Deshmukh

(74) *Attorney, Agent, or Firm* — Rader, Fishman & Grauer PLLC

(30) **Foreign Application Priority Data**

Dec. 29, 2009 (JP) D2009-030710

(51) **LOC (10) Cl.** **14-01**

(52) **U.S. Cl.**
USPC **D14/209.1**

(58) **Field of Classification Search**
USPC D14/204, 207, 210–216, 172, 209.1;
181/143, 144, 147, 148, 150–153, 157,
181/198, 199; 381/300–303, 306, 332, 333,
381/336, 345, 361–364, 386–388;
D11/160, 162, 606–609, 832
See application file for complete search history.

(57) **CLAIM**

The ornamental design for a speaker box, as shown and described.

DESCRIPTION

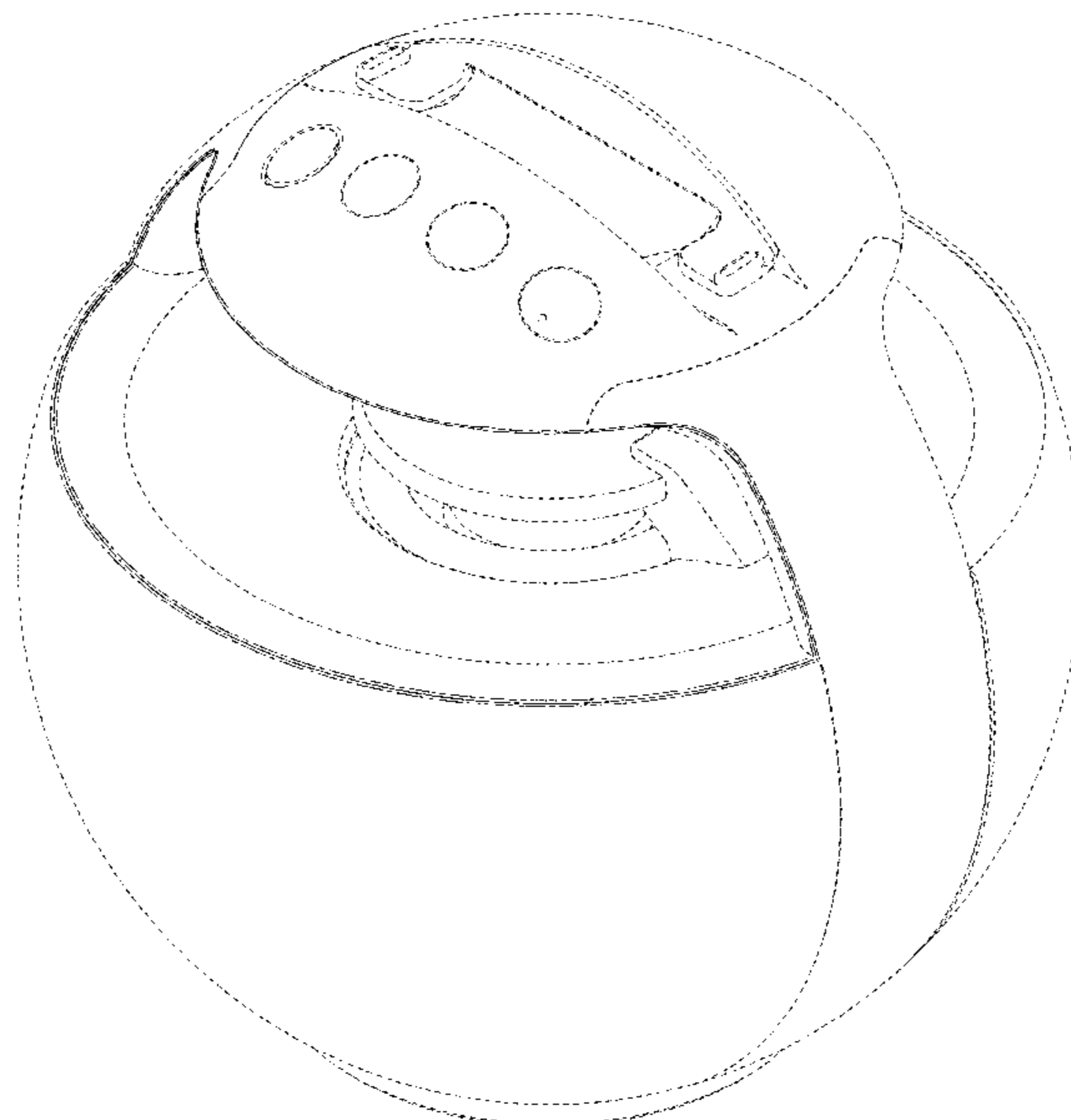
FIG. 1 is a front, top, right perspective view of a first embodiment of a speaker box showing my new design; FIG. 2 is a front elevational view thereof; FIG. 3 is a left side elevational view thereof; FIG. 4 is a right side elevational view thereof; and FIG. 5 is a top plan view thereof. FIG. 6 is a front, top, right perspective view of a second embodiment of a speaker box showing my new design; FIG. 7 is a front elevational view thereof; FIG. 8 is a left side elevational view thereof; FIG. 9 is a right side elevational view thereof; and, FIG. 10 is a top plan view thereof. Portions in broken lines are for illustrative purpose only and form no part of the claimed design. Dot-dash broken lines define the boundaries of, but not included in, the claimed design.

(56) **References Cited**

U.S. PATENT DOCUMENTS

D210,614 S *	3/1968	Douglas	D7/551.2
3,371,742 A	3/1968	Norton et al.		
D218,316 S	8/1970	Yurdin		
3,642,091 A *	2/1972	Nohara et al.	181/150

1 Claim, 10 Drawing Sheets



(56)

References Cited

U.S. PATENT DOCUMENTS

5,886,304 A *	3/1999	Schlenzig et al.	181/155	D491,166 S	6/2004	Hakoda	
5,995,634 A *	11/1999	Zwolowski	181/155	D492,281 S	6/2004	Hakoda	
D435,540 S	12/2000	Peng		D494,958 S	8/2004	Solland	
6,345,685 B1	2/2002	Wells et al.		D508,042 S *	8/2005	Oikawa	D14/214
D467,572 S	12/2002	Narita		D550,204 S	9/2007	Kaneda	
D470,474 S	2/2003	Kobayashi		D555,147 S	11/2007	Solland	
D471,891 S	3/2003	Oikawa		D563,391 S	3/2008	Skurdal	
D474,172 S *	5/2003	Jacobson	D14/207	D566,102 S	4/2008	Matsuoka	
D475,991 S	6/2003	Hisatusne		D568,292 S	5/2008	Tsuge	
D476,310 S	6/2003	Hisatsune		D575,770 S	8/2008	Lewis	
D476,311 S	6/2003	Hisatsune		D587,676 S	3/2009	Alberdi Alorda	
				7,639,478 B2 *	12/2009	Wu et al.	361/679.01
				D635,552 S	4/2011	Yokoyama	
				D646,666 S	10/2011	Maeyama	

* cited by examiner

FIG.1

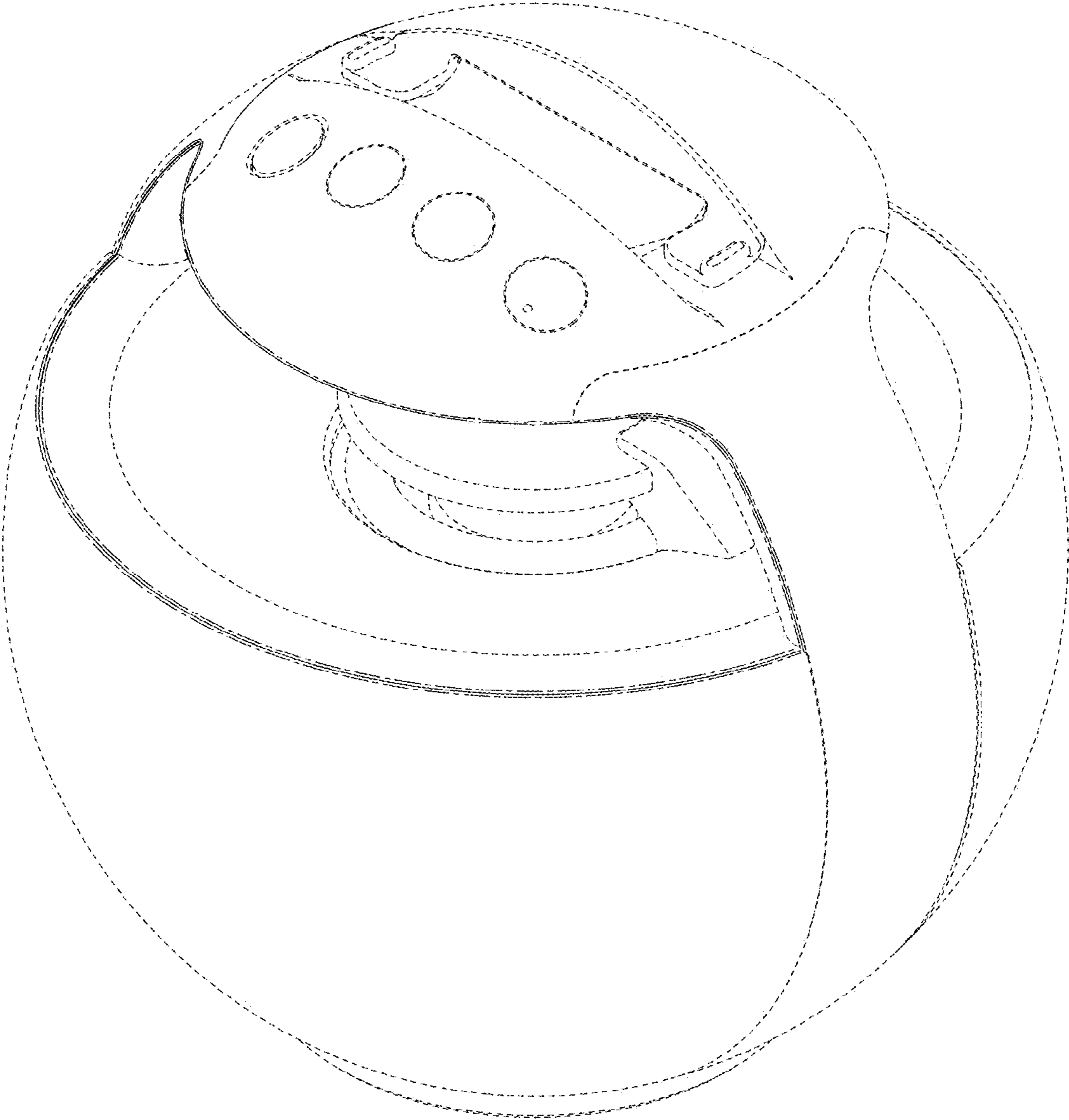


FIG.2

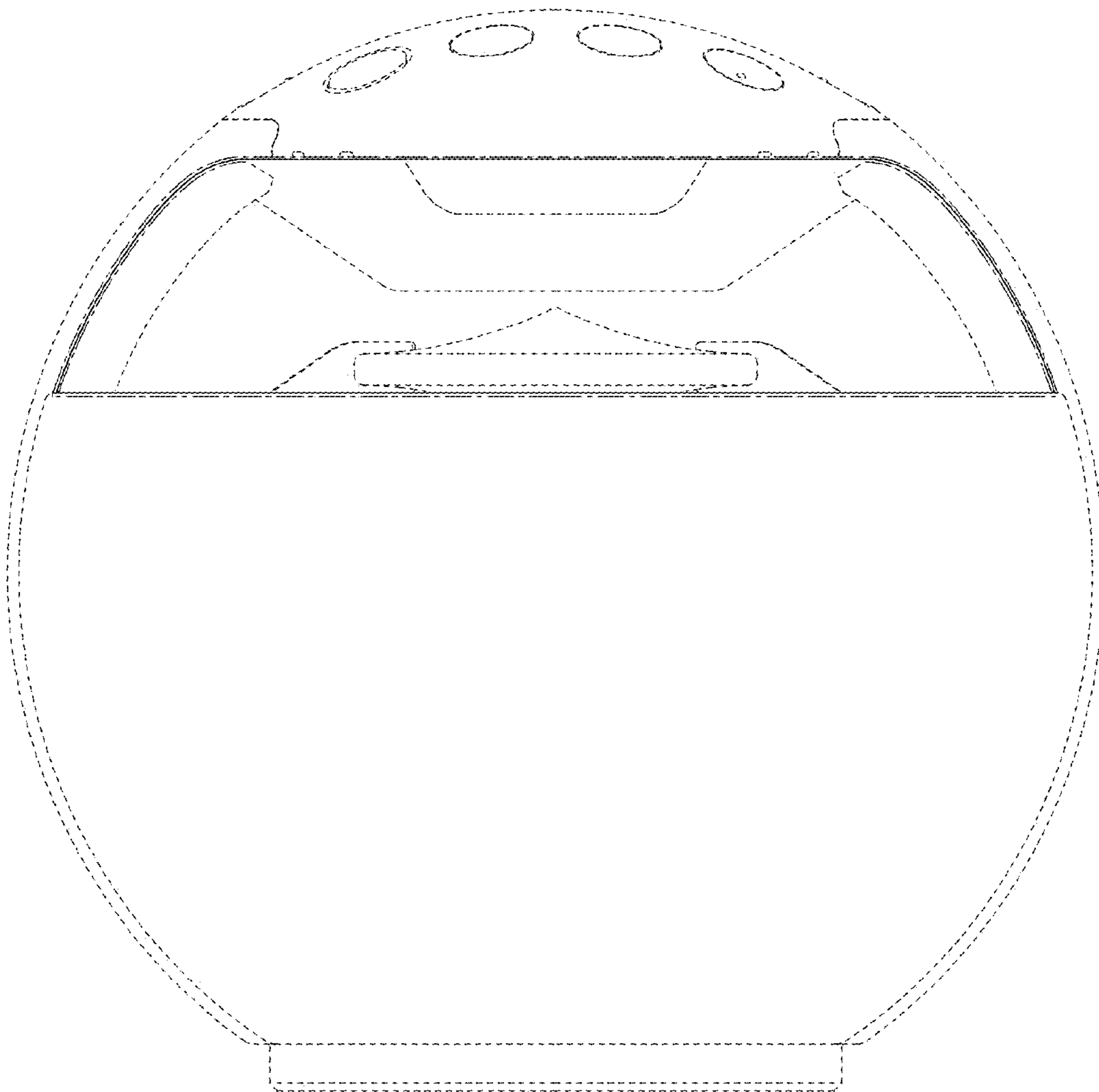


FIG.3

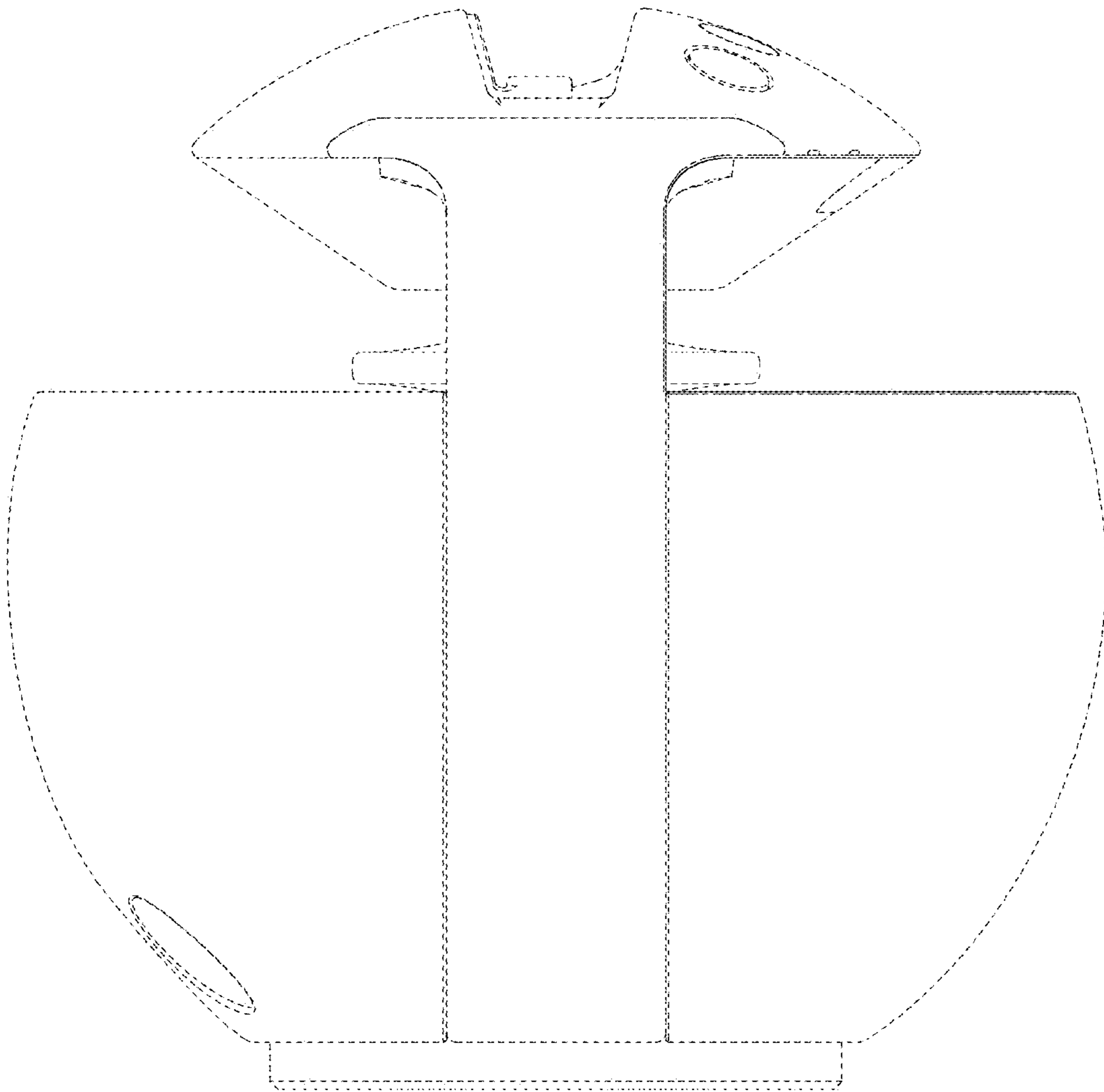


FIG.4

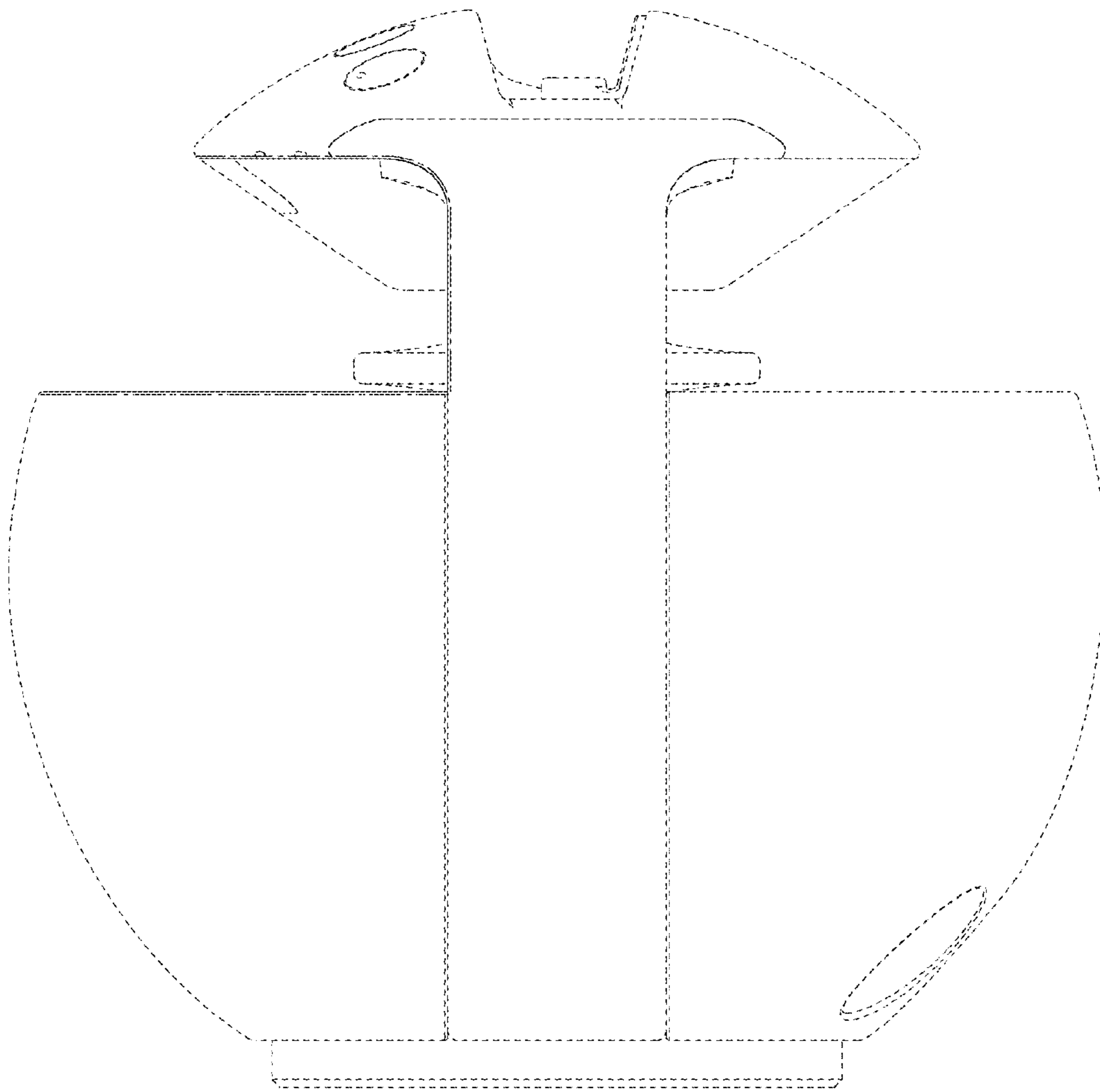


FIG.5

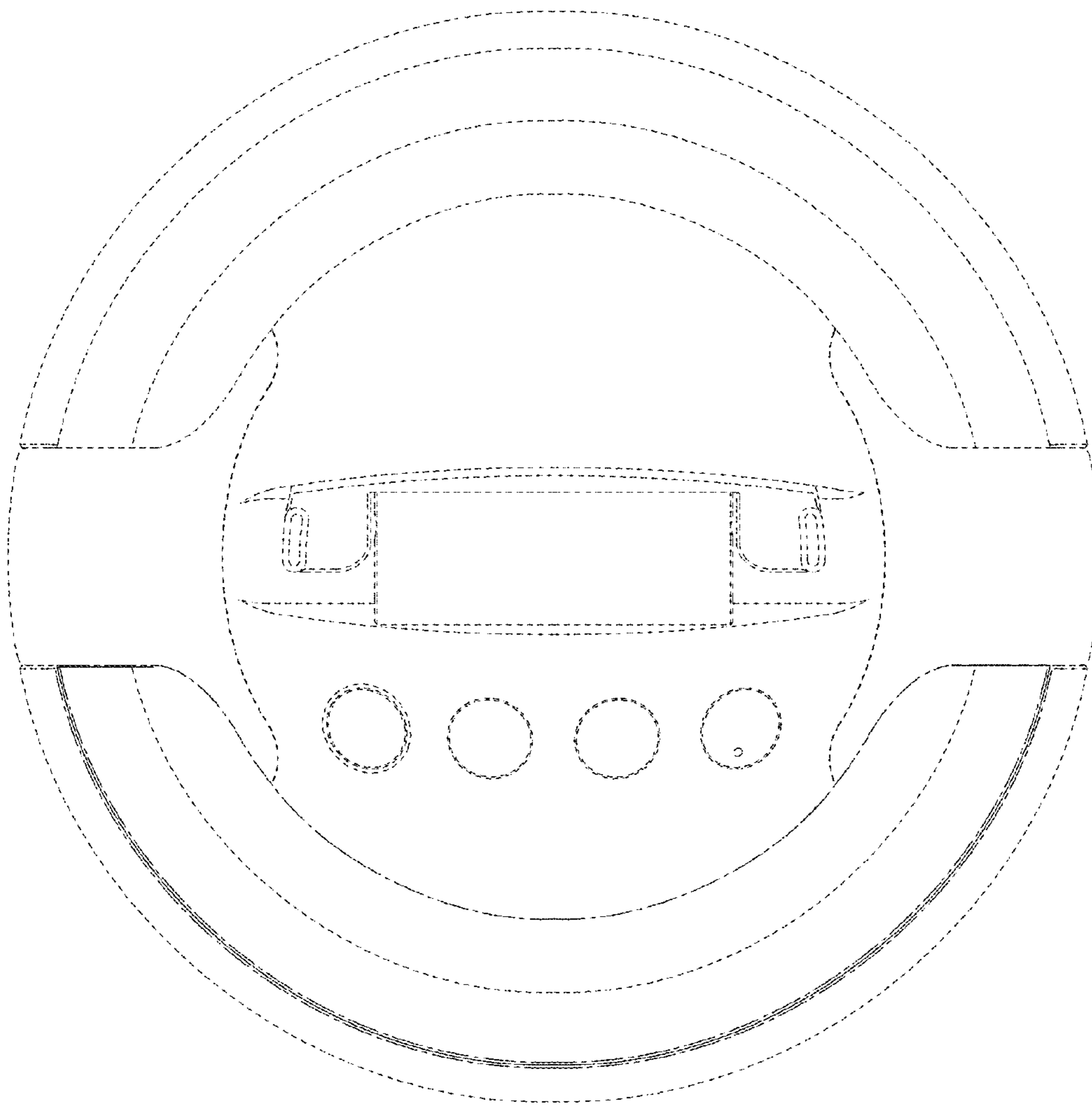


FIG.6

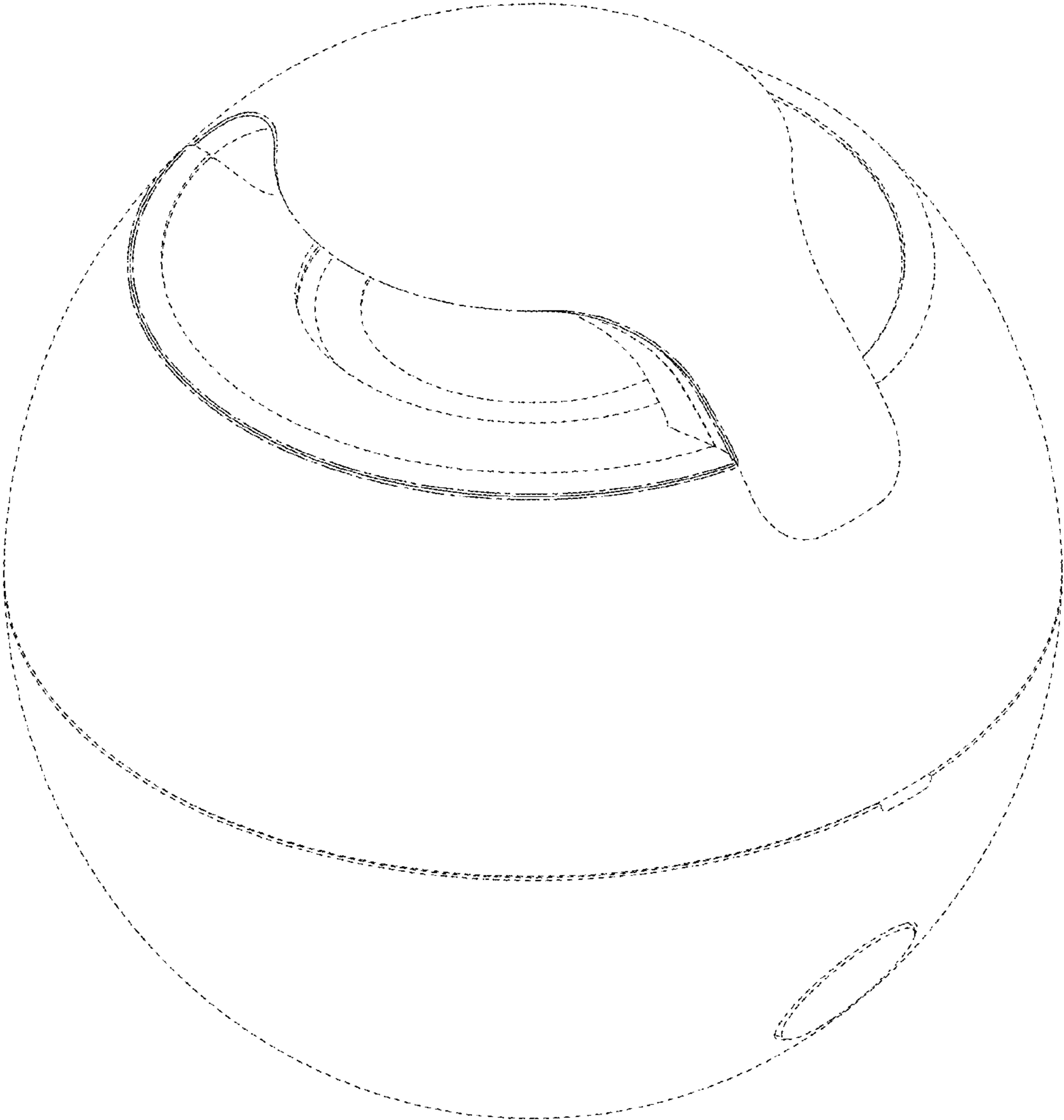


FIG.7

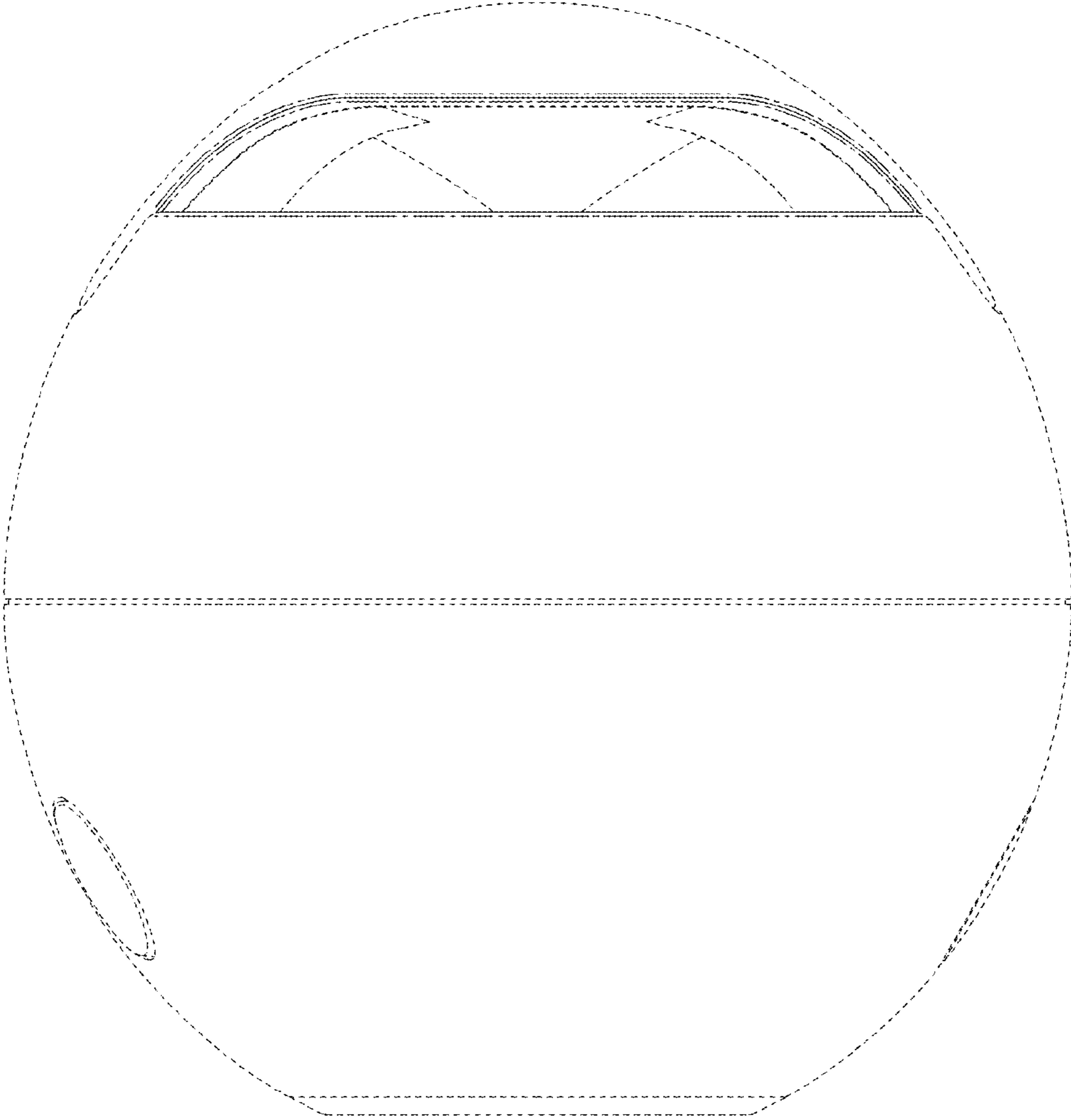


FIG.8

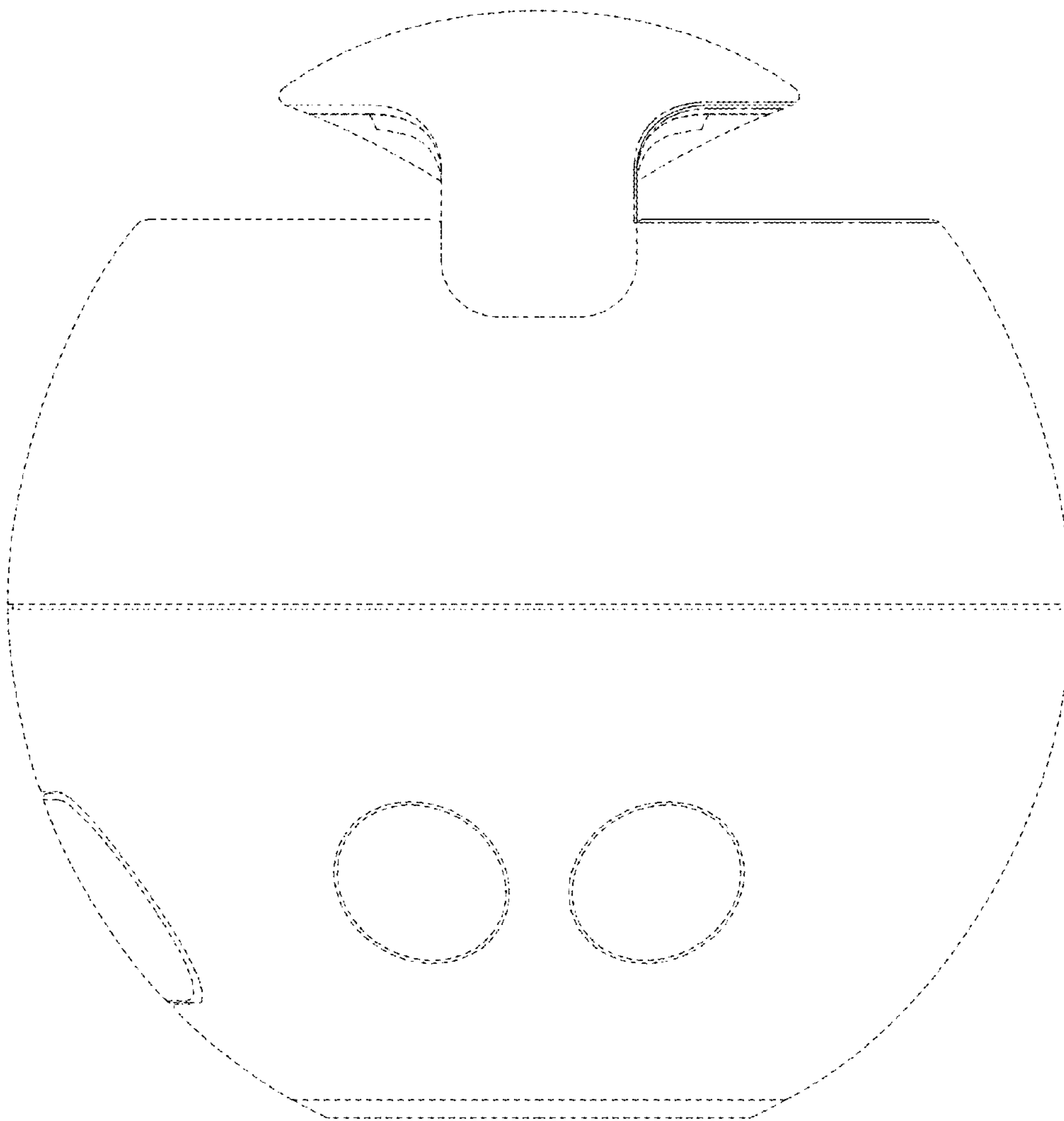


FIG.9

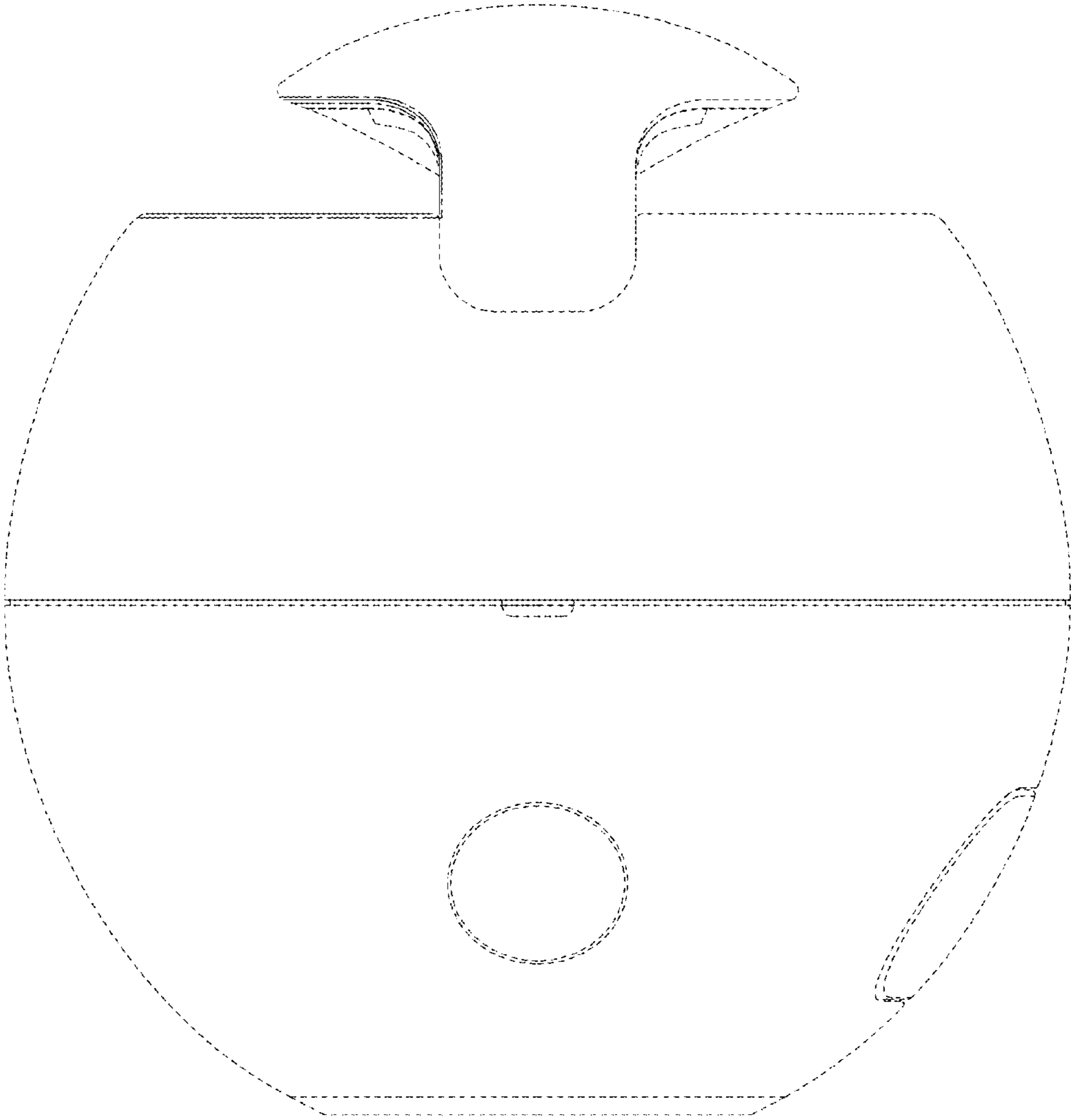


FIG.10

