



US00D703183S

(12) **United States Design Patent**
Moriya

(10) **Patent No.:** **US D703,183 S**
(45) **Date of Patent:** **** Apr. 22, 2014**

(54) **HEADPHONE**

(71) Applicant: **JVC Kenwood Corporation**, Kanagawa (JP)

(72) Inventor: **Katsuhiro Moriya**, Tokyo (JP)

(73) Assignee: **JVC Kenwood Corporation**, Kanagawa (JP)

(**) Term: **14 Years**

(21) Appl. No.: **29/448,682**

(22) Filed: **Mar. 13, 2013**

(30) **Foreign Application Priority Data**

Oct. 15, 2012 (JP) 2012-024955

(51) **LOC (10) CL.** **14-01**

(52) **U.S. CL.**
CPC **H04S 1/005** (2013.01)
USPC **D14/206**

(58) **Field of Classification Search**
USPC D14/205, 206, 188, 192; D29/112;
2/209; 181/129, 130, 135; 379/430,
379/431; 381/380, 381; 455/90.3, 575.1
See application file for complete search history.

(56) **References Cited**

U.S. PATENT DOCUMENTS

2,782,423	A *	2/1957	Simon et al.	2/209
3,104,398	A *	9/1963	Palmaer	2/209
3,408,658	A *	11/1968	Beguín et al.	2/209
3,440,663	A *	4/1969	Beguín	2/209
3,488,457	A *	1/1970	Lahti	381/371
D231,613	S *	5/1974	Sarber	D14/206
D244,300	S *	5/1977	Besásie	D14/205
4,069,512	A *	1/1978	Palmaer	2/209

D298,670	S *	11/1988	Palmaer	D29/112
5,241,971	A *	9/1993	Lundin	128/864
5,384,857	A *	1/1995	Nordin et al.	381/378
5,406,037	A *	4/1995	Nageno et al.	181/129
5,574,795	A *	11/1996	Seki	381/370
D398,309	S *	9/1998	Bergin et al.	D14/206
D403,128	S *	12/1998	Scanlon et al.	D29/122
D410,238	S *	5/1999	Sloan	D14/205
D411,200	S *	6/1999	Almqvist	D14/192
D413,413	S *	8/1999	Dillon et al.	D29/112
5,996,123	A *	12/1999	Leight et al.	2/209
D434,191	S *	11/2000	Emilsson	D29/112
6,456,721	B1 *	9/2002	Fukuda	381/380
D497,608	S *	10/2004	Birgersson	D14/205
7,292,704	B2 *	11/2007	Lederer	381/380
7,766,120	B2 *	8/2010	Hansson et al.	181/129
D650,356	S *	12/2011	Alden et al.	D14/205
D677,241	S *	3/2013	Kelly et al.	D14/205

* cited by examiner

Primary Examiner — Paul Greene

(74) *Attorney, Agent, or Firm* — Osha Liang LLP

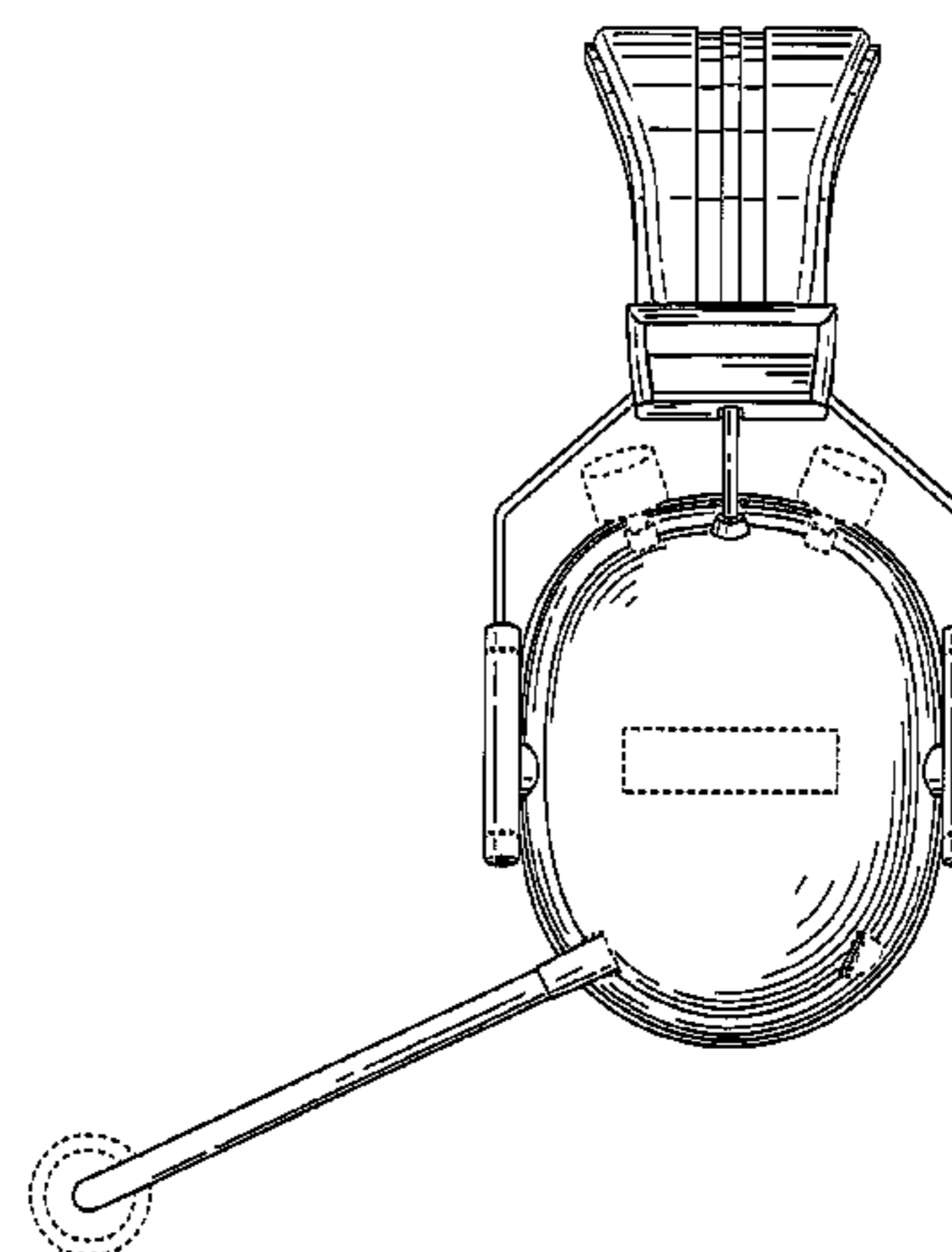
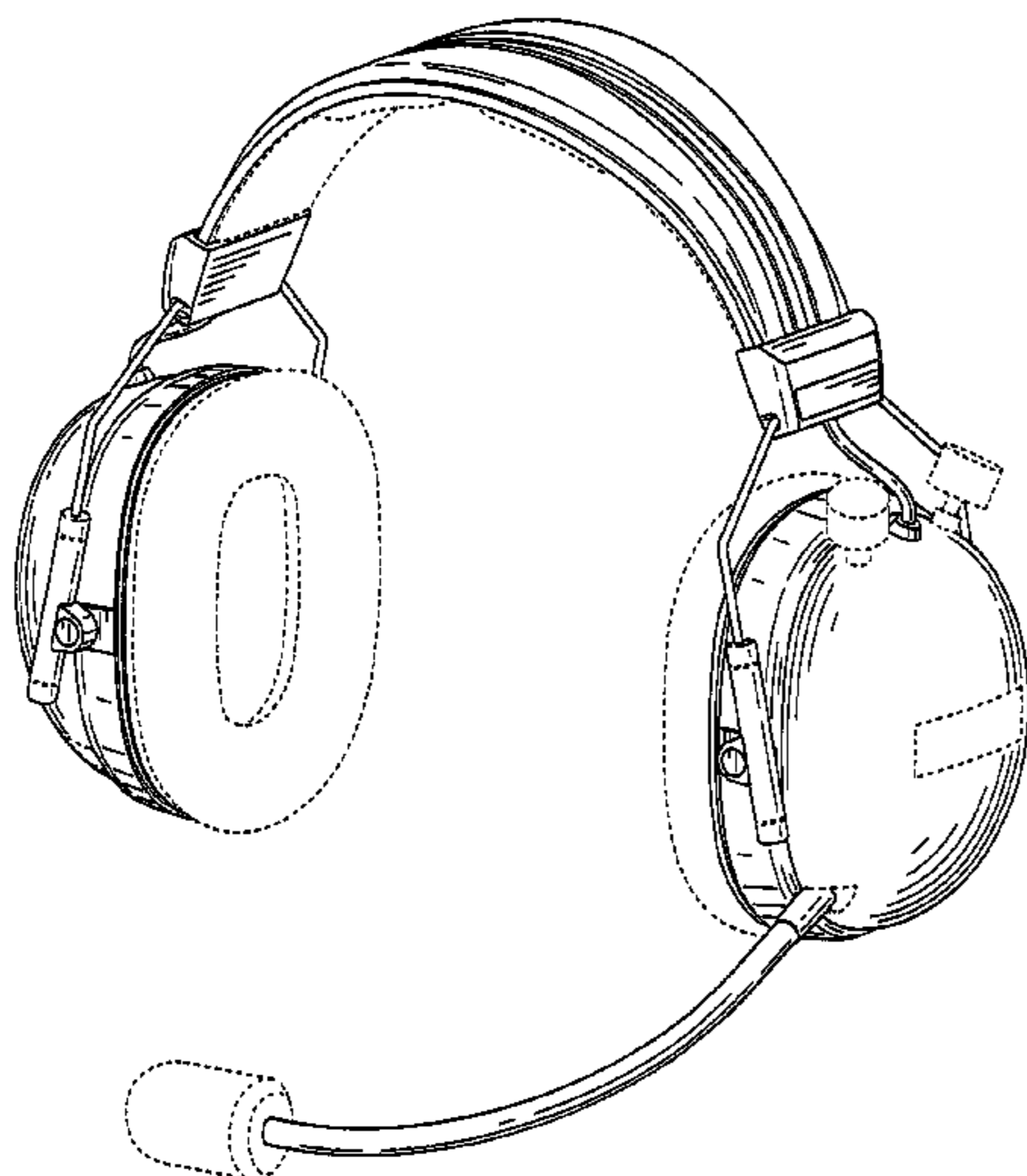
(57) **CLAIM**

The ornamental design for headphone, as shown and described.

DESCRIPTION

FIG. 1 is a perspective view of front, right and top of headphone showing my new design;
FIG. 2 is a front view thereof;
FIG. 3 is a rear view thereof;
FIG. 4 is a left side view thereof;
FIG. 5 is a right side view thereof;
FIG. 6 is a top view thereof; and,
FIG. 7 is a bottom view thereof.
The broken lines shown are included for the purpose of illustrating the unclaimed portions of headphone and form no part of the claimed design.

1 Claim, 7 Drawing Sheets



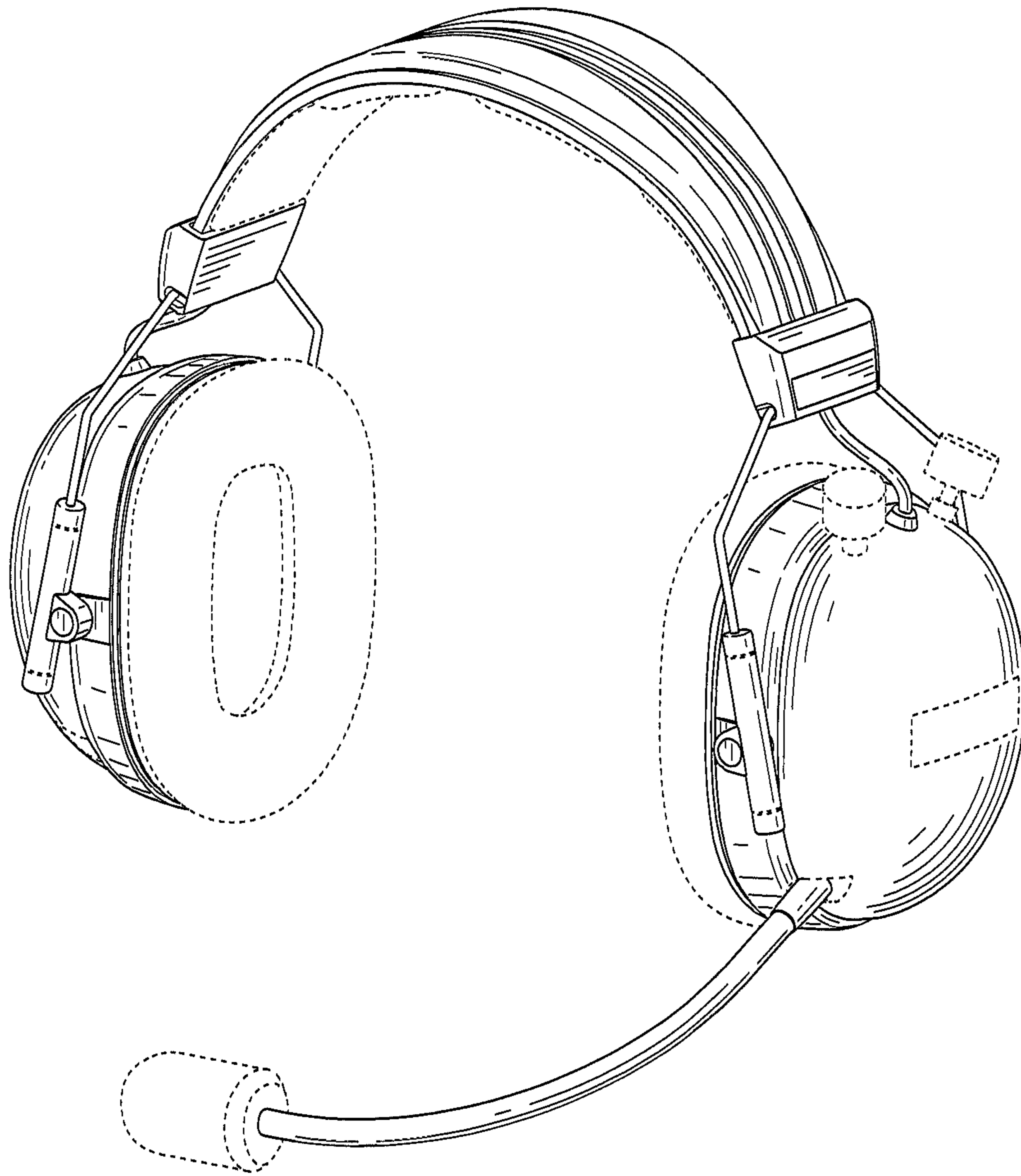


FIG. 1

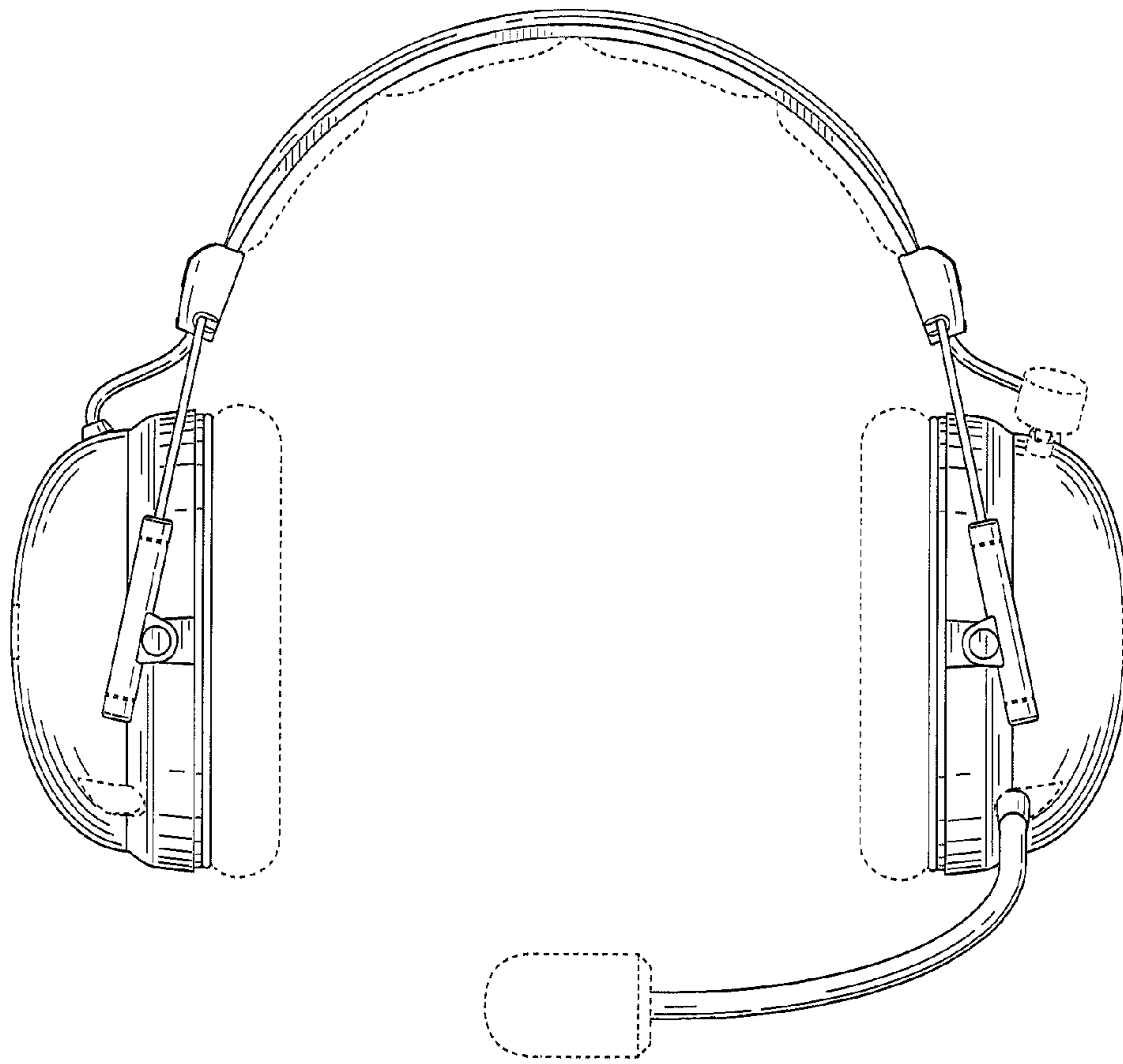


FIG. 2

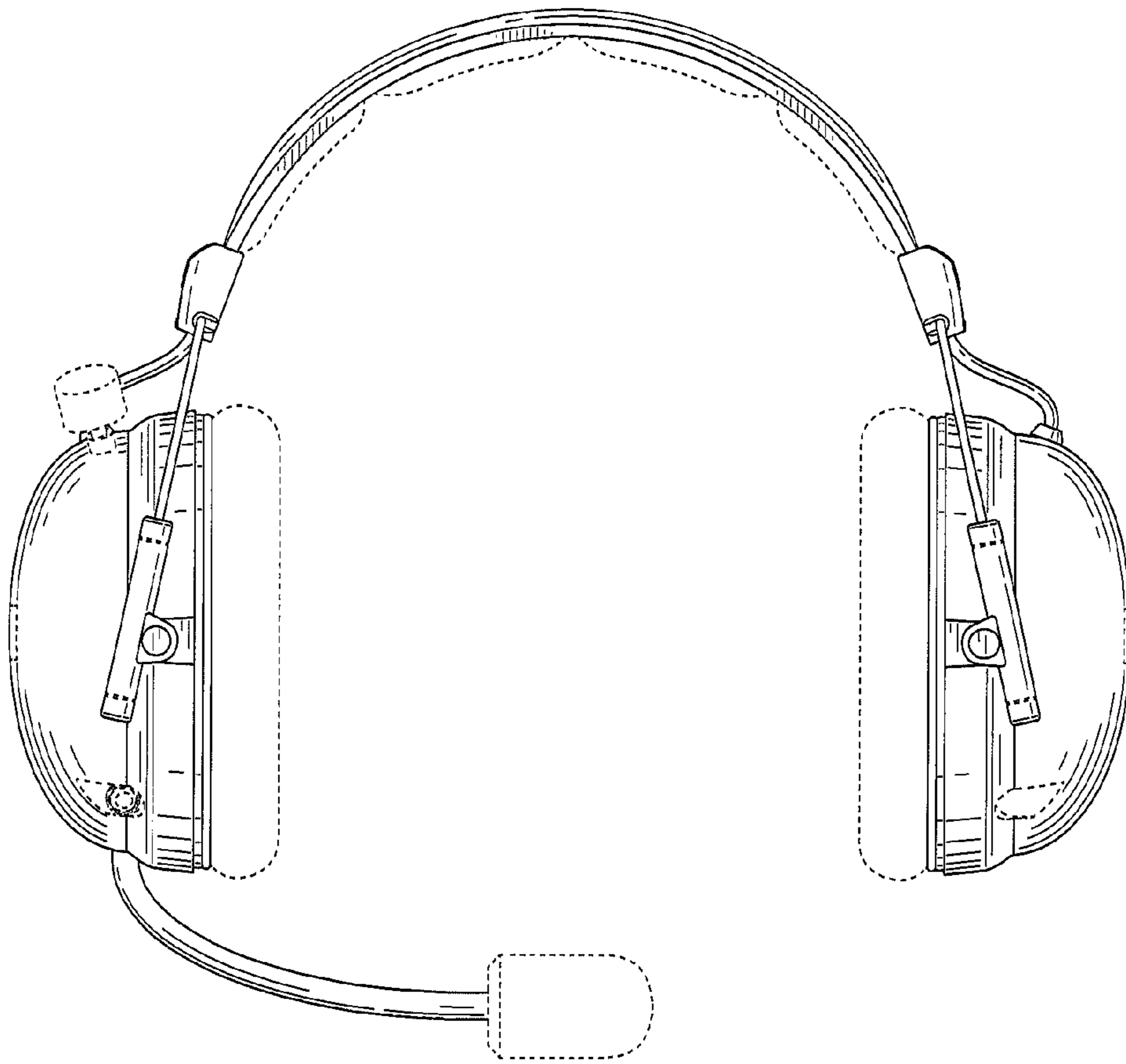


FIG. 3

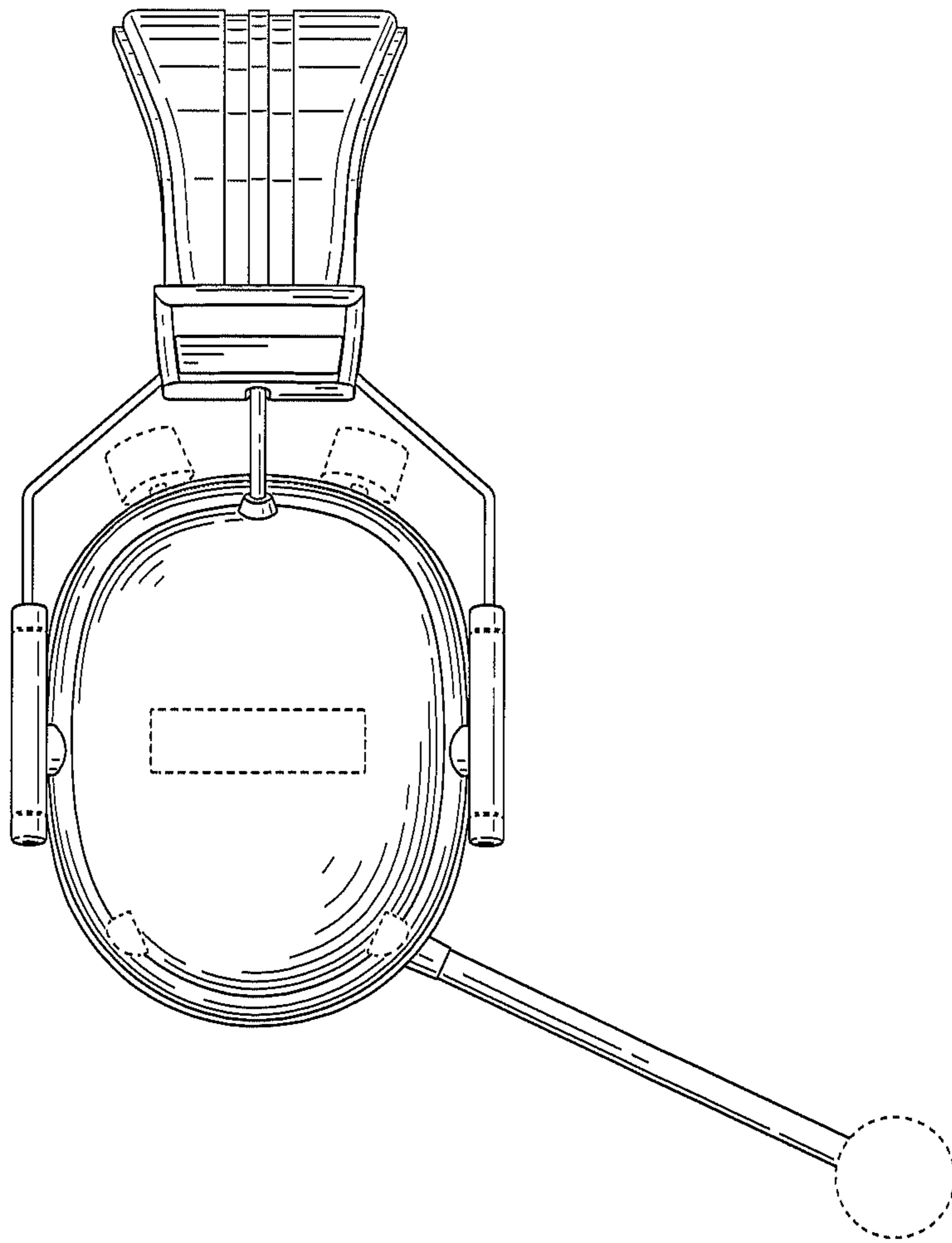


FIG. 4

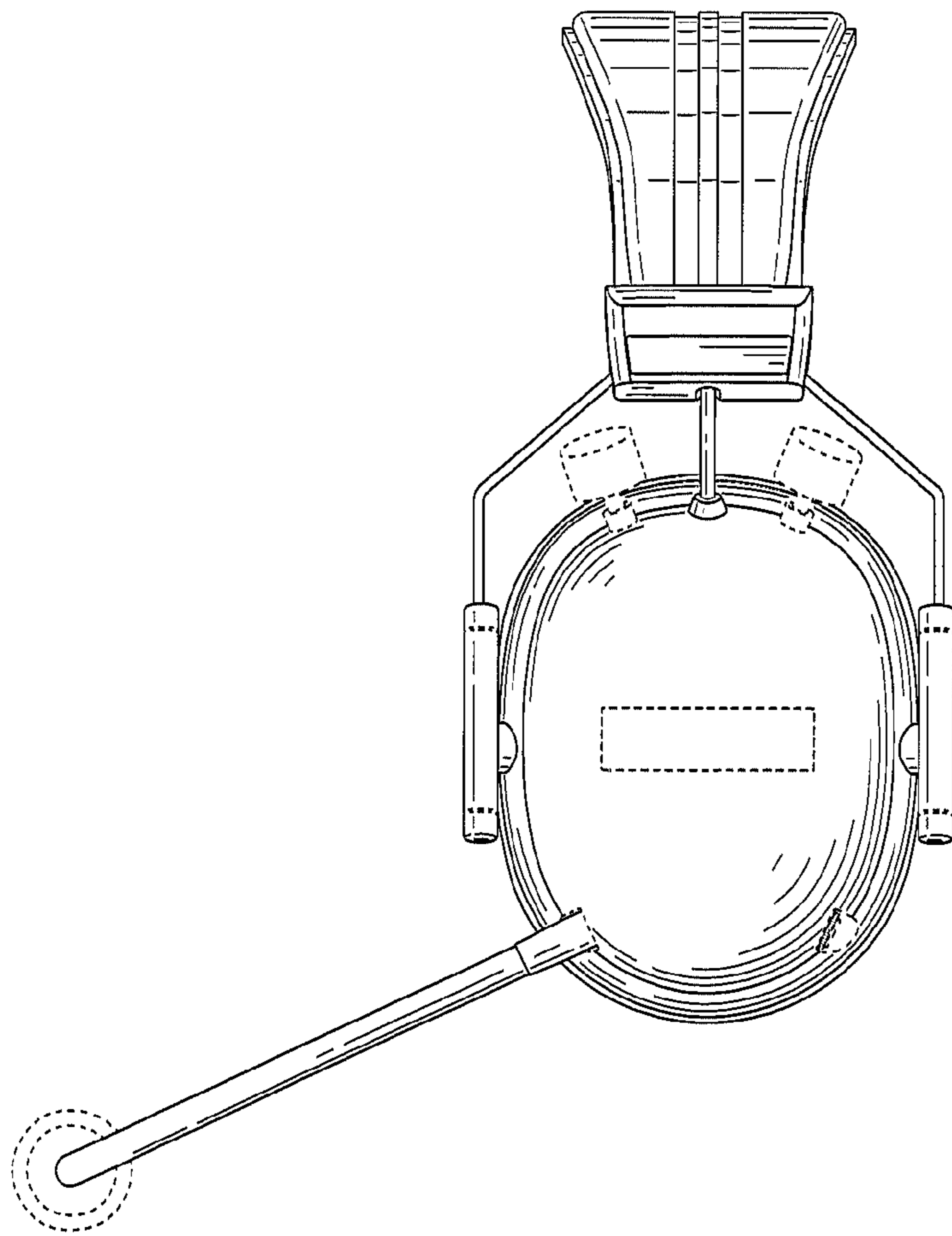


FIG. 5

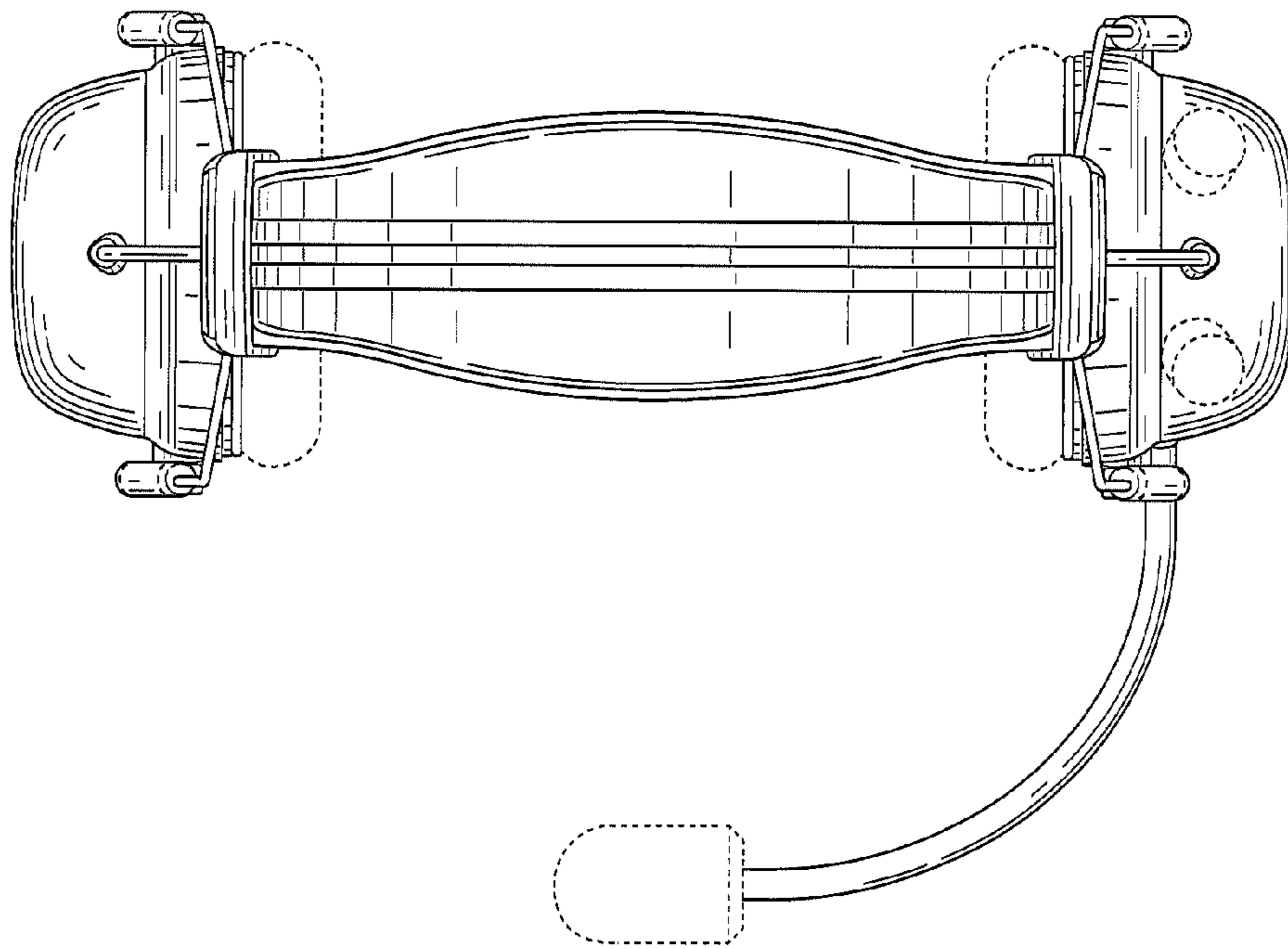


FIG. 6

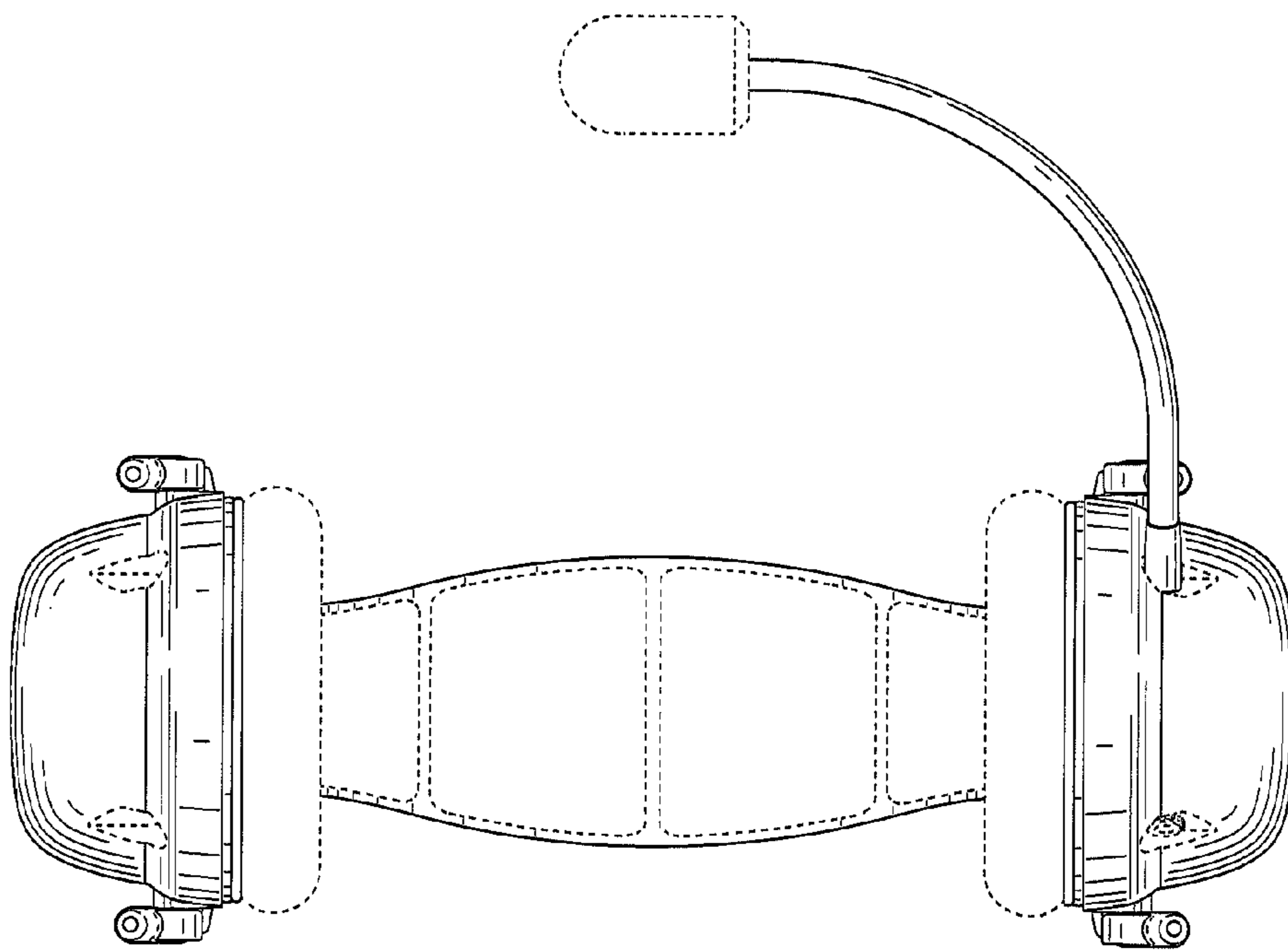


FIG. 7