



US00D703182S

(12) **United States Design Patent**
McManigal et al.

(10) **Patent No.:** **US D703,182 S**
(45) **Date of Patent:** **** *Apr. 22, 2014**

- (54) **ELECTRONIC DEVICE WITH DOCK**
- (75) Inventors: **Scott McManigal**, Irvine, CA (US);
Matthew McRae, Irvine, CA (US)
- (73) Assignee: **Vizio Inc.**, Irvine, CA (US)
- (*) Notice: This patent is subject to a terminal disclaimer.
- (**) Term: **14 Years**
- (21) Appl. No.: **29/384,622**
- (22) Filed: **Feb. 1, 2011**
- (51) **LOC (10) Cl.** **14-03**
- (52) **U.S. Cl.**
USPC **D14/198**; D14/203.8; D14/209.1
- (58) **Field of Classification Search**
USPC D14/137, 140, 142, 149, 155, 157, 158,
D14/168, 170, 171, 188, 189, 191-198,
D14/203.1-203.8, 204, 208, 209.1, 210, 22,
D14/214, 215, 217, 224.1, 240, 243, 251,
D14/253, 432-435.1, 447, 451, 496, 474,
D14/480.1-480.7; D13/107, 108, 118;
D3/218; 248/221.11, 309.1; 320/107,
320/110, 113-115; 361/600; 439/529, 534;
455/90.1-90.3, 556.1-556.2, 557;
D10/2; 312/7.1; 369/6-12
See application file for complete search history.

- (56) **References Cited**
U.S. PATENT DOCUMENTS
D402,289 S * 12/1998 Pinchuk et al. D14/167
D420,352 S * 2/2000 Chan D14/171
D557,251 S * 12/2007 Nohara et al. D14/194
D571,749 S * 6/2008 Barnett et al. D14/126

D581,899 S *	12/2008	Skurdal	D14/171
D602,465 S *	10/2009	Mills et al.	D14/168
D616,411 S *	5/2010	Garrett	D14/171
D620,921 S *	8/2010	Skurdal	D14/209.1
D633,474 S *	3/2011	Ohashi	D14/209.1
D654,450 S *	2/2012	McManigal et al.	D14/129
D658,151 S *	4/2012	Joseph	D14/171
D676,413 S *	2/2013	Poandl	D14/171
D677,245 S *	3/2013	Joseph	D14/209.1
D681,604 S *	5/2013	Funayama	D14/209.1
D690,286 S *	9/2013	Petersen	D14/211
D693,790 S *	11/2013	Miller	D14/188
2012/0066643 A1 *	3/2012	McRae	715/810

* cited by examiner

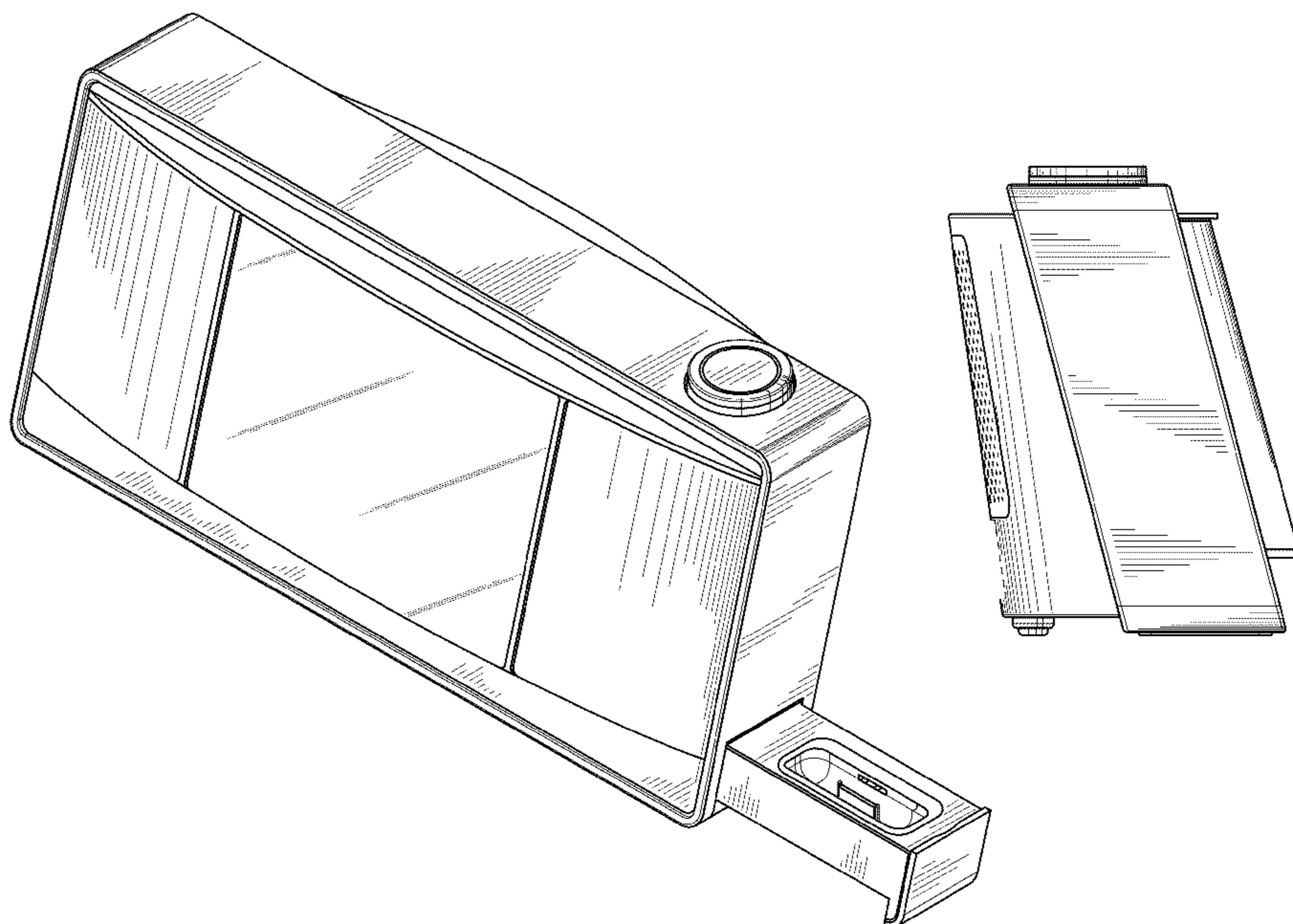
Primary Examiner — Keli L Hill

(74) *Attorney, Agent, or Firm* — Law Office of Scott C. Harris, Inc.

(57) **CLAIM**
The ornamental design for an electronic device with dock, as shown and described.

DESCRIPTION
FIG. 1 is a perspective view of an electronic device with dock, showing our new design;
FIG. 2 is a front elevation view thereof;
FIG. 3 is a rear elevation view thereof;
FIG. 4 is a side elevation view thereof;
FIG. 5 is an opposite side elevation view thereof;
FIG. 6 is a top plan view thereof;
FIG. 7 is a bottom plan view thereof; and,
FIG. 8 is an alternate perspective view thereof, shown with the dock slid in.
The broken lines shown are included for the purpose of illustrating portions of the electronic device with dock that form no part of the claim.

1 Claim, 7 Drawing Sheets



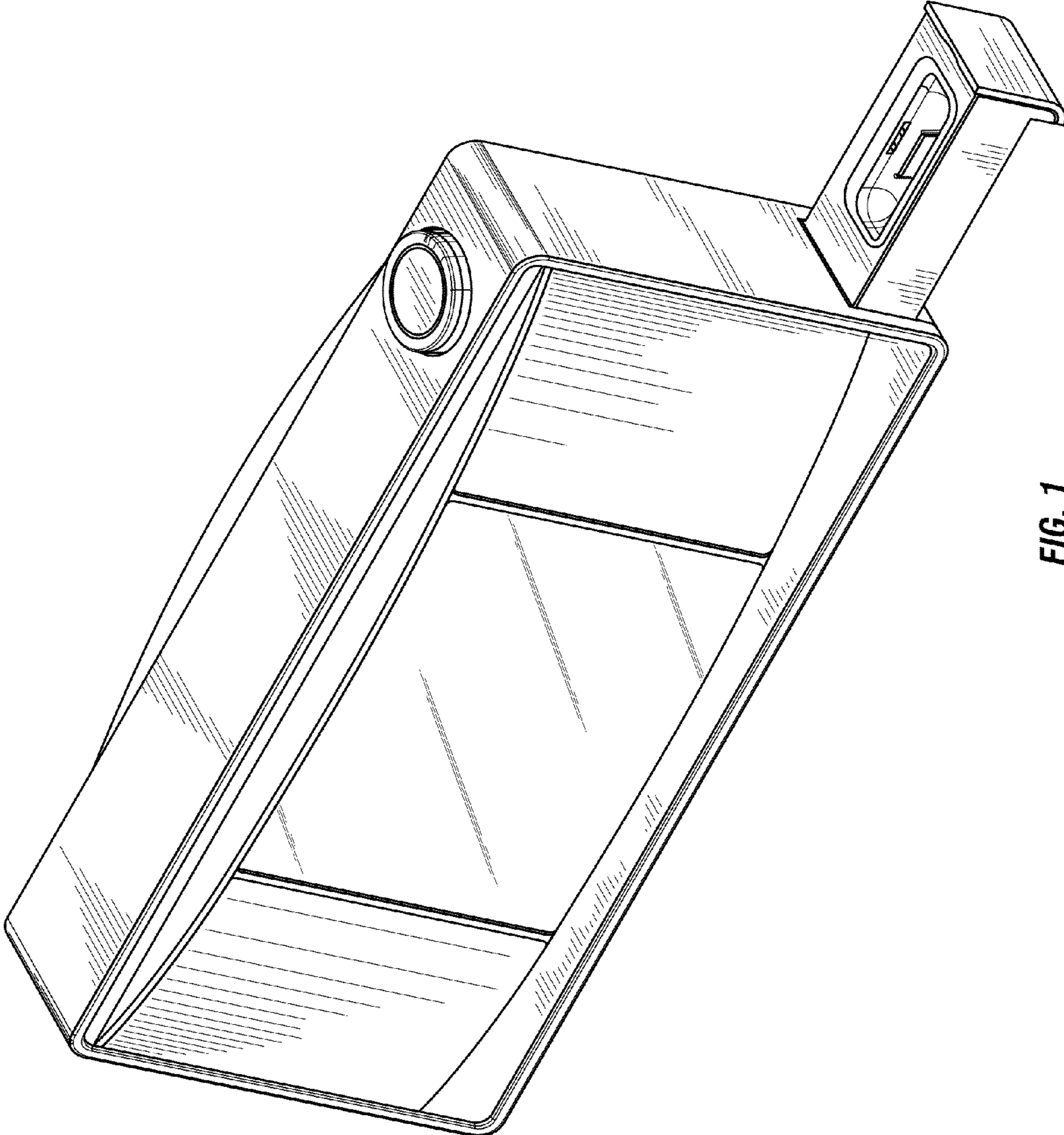


FIG. 1

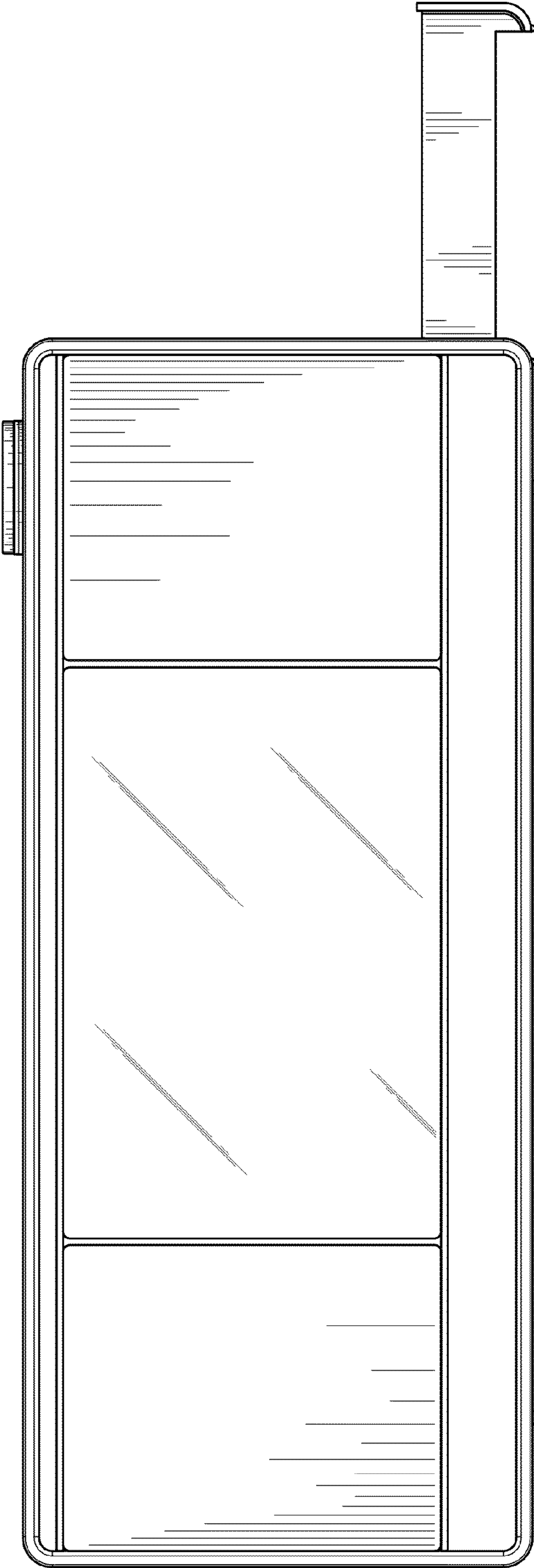


FIG. 2

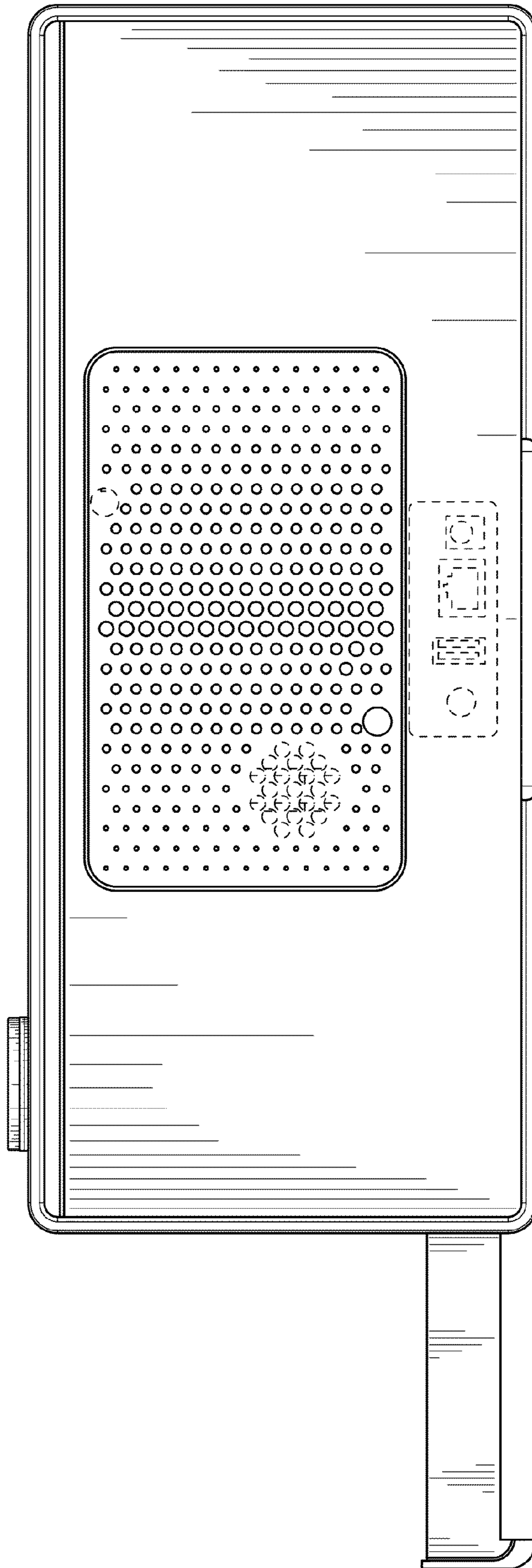


FIG. 3

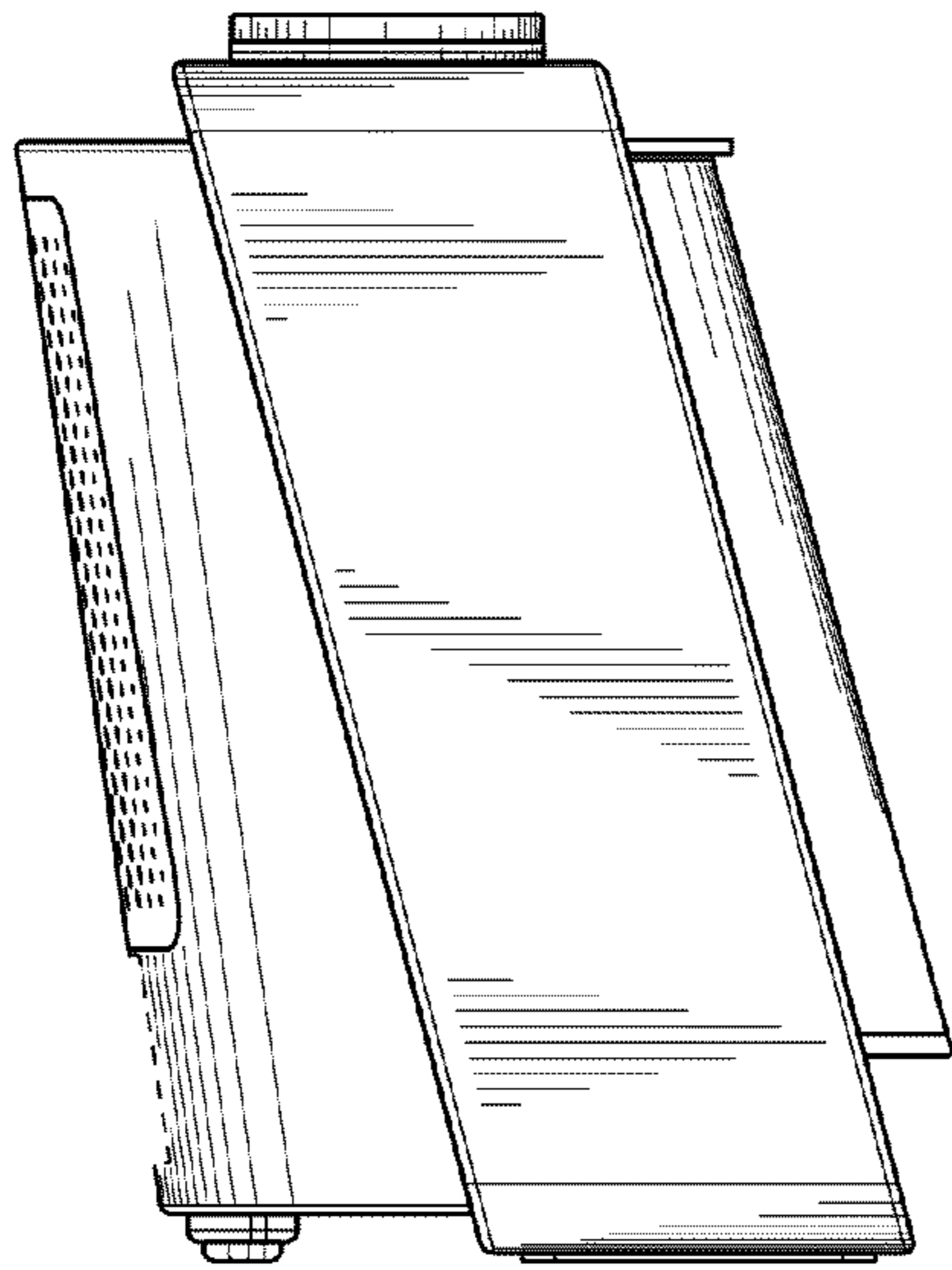


FIG. 4

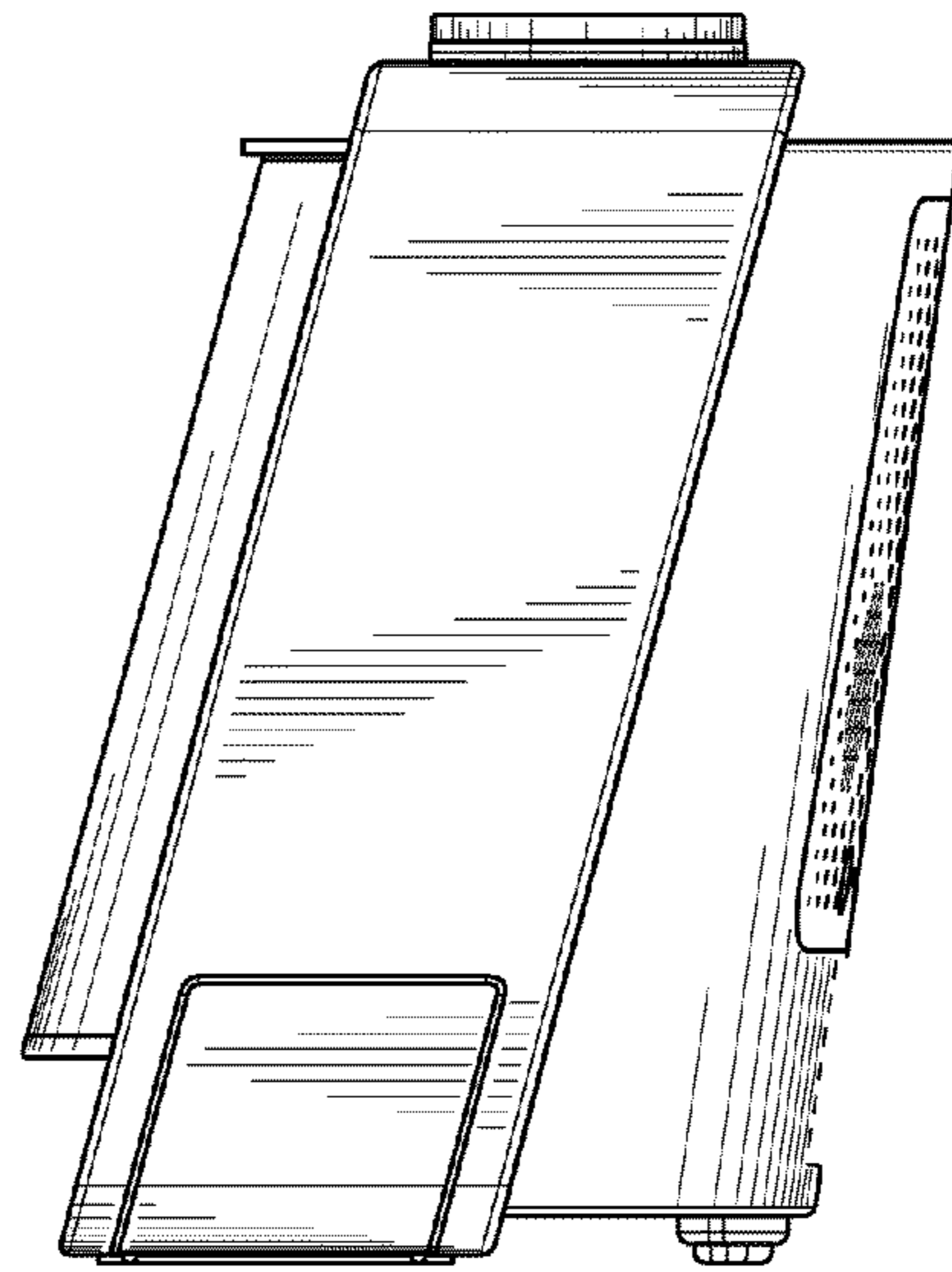


FIG. 5

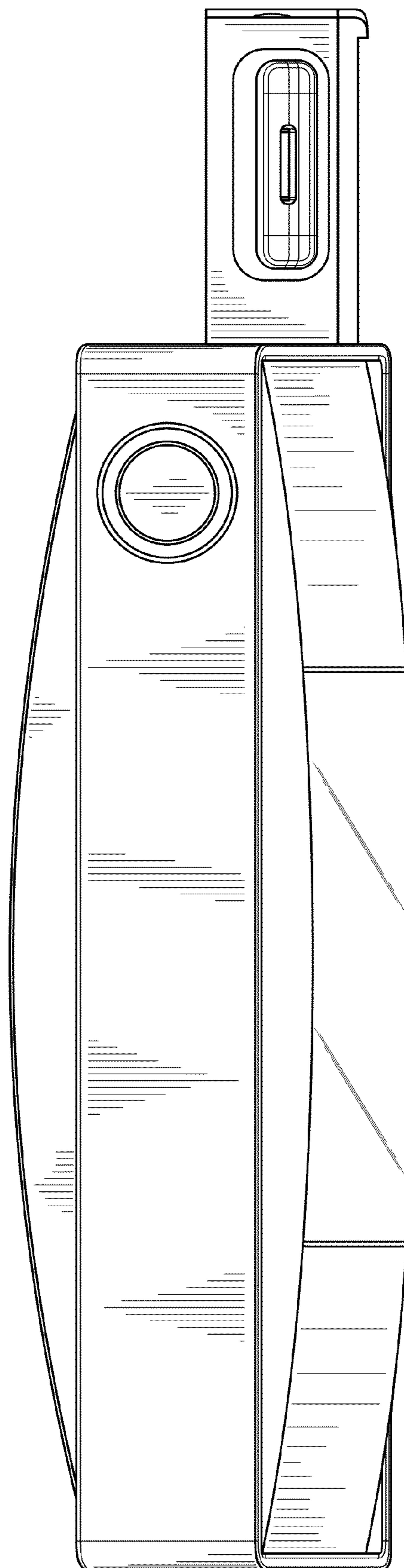


FIG. 6

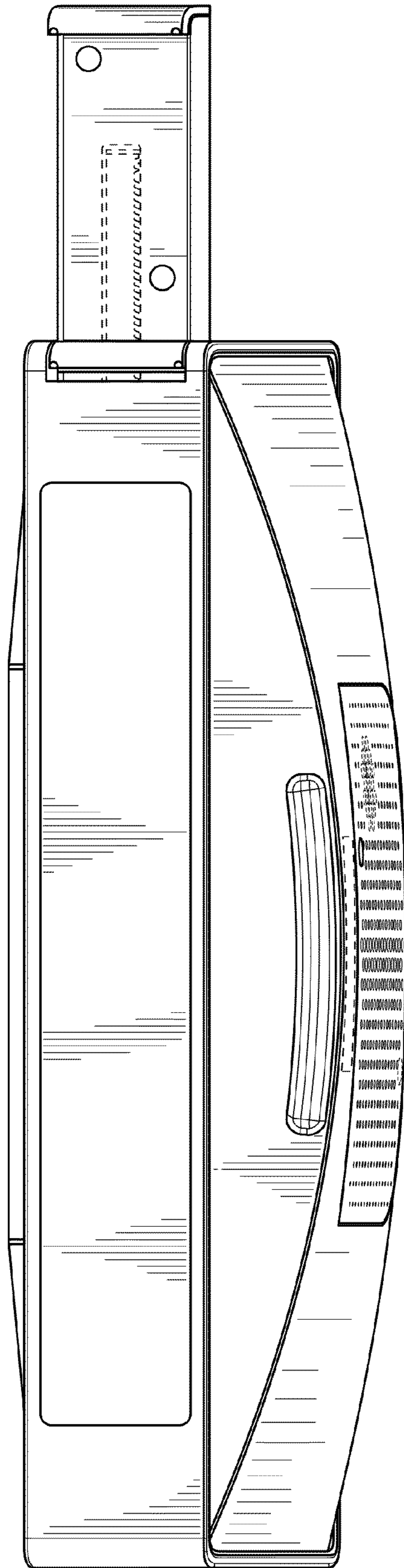


FIG. 7

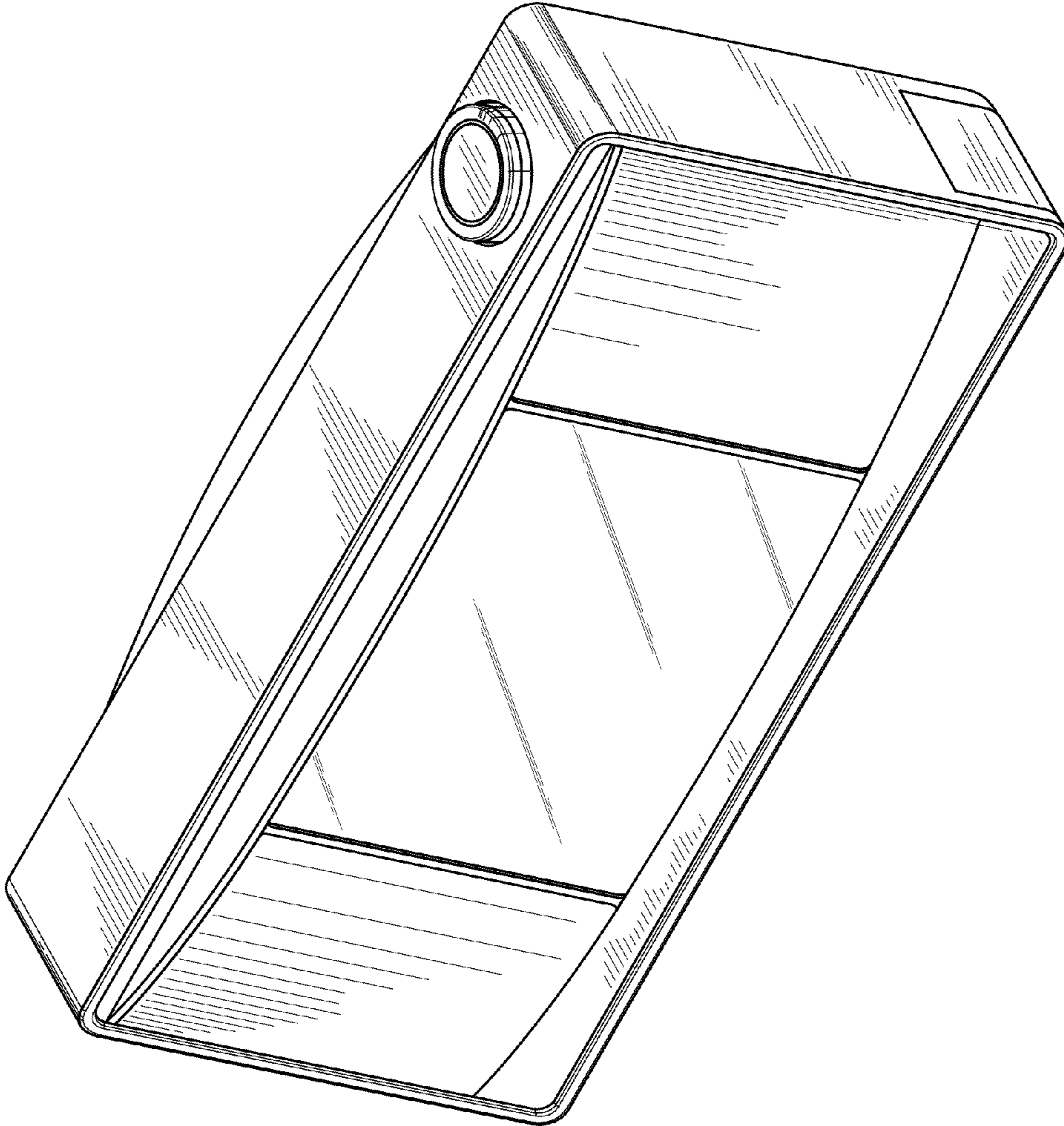


FIG. 8