



US00D703181S

(12) **United States Design Patent**
Wilson

(10) **Patent No.:** **US D703,181 S**
(45) **Date of Patent:** **** Apr. 22, 2014**

(54) **AMPLIFIER CASE WITH TALL FLANGES**

(75) Inventor: **James W. Wilson**, Saint George, UT
(US)

(73) Assignee: **Wilson Electronics, Inc.**, Saint George,
UT (US)

(**) Term: **14 Years**

(21) Appl. No.: **29/428,072**

(22) Filed: **Jul. 25, 2012**

(51) **LOC (10) Cl.** **14-03**

(52) **U.S. Cl.**
USPC **D14/188**

(58) **Field of Classification Search**
USPC D14/162, 167-169, 175, 179, 188,
D14/194-198, 217, 257, 265, 299, 496;
330/1 R, 3, 4, 250; 381/86, 120;
455/344-351

See application file for complete search history.

(56) **References Cited**

U.S. PATENT DOCUMENTS

D343,395 S	*	1/1994	Kakizaki	D14/188
D386,761 S	*	11/1997	Pleitz	D14/188
D400,206 S	*	10/1998	Mahgerefteh	D14/188
D415,157 S	*	10/1999	Rabbani	D14/188

D415,493 S	*	10/1999	Shieber	D14/188
D428,006 S	*	7/2000	Sagues et al.	D14/356
D446,204 S	*	8/2001	Smith	D14/188
D449,288 S	*	10/2001	Sogabe	D14/188
D482,673 S	*	11/2003	Shindo	D14/188
D513,247 S	*	12/2005	Matsuoka	D14/188
D563,403 S	*	3/2008	Files	D14/265
D565,021 S	*	3/2008	Wilson	D14/188
D610,125 S	*	2/2010	Ichikawa et al.	D14/188
D656,120 S	*	3/2012	Sasaki	D14/188
D665,377 S	*	8/2012	Endo et al.	D14/188

* cited by examiner

Primary Examiner — Keli L Hill

(74) *Attorney, Agent, or Firm* — Leon D. Rosen; Timothy Thut Tyson

(57) **CLAIM**

The ornamental design for amplifier case with tall flanges, as shown and described.

DESCRIPTION

FIG. 1 is a top, front, and left side isometric view of an amplifier case with tall flanges, showing my design.

FIG. 2 is a top view thereof.

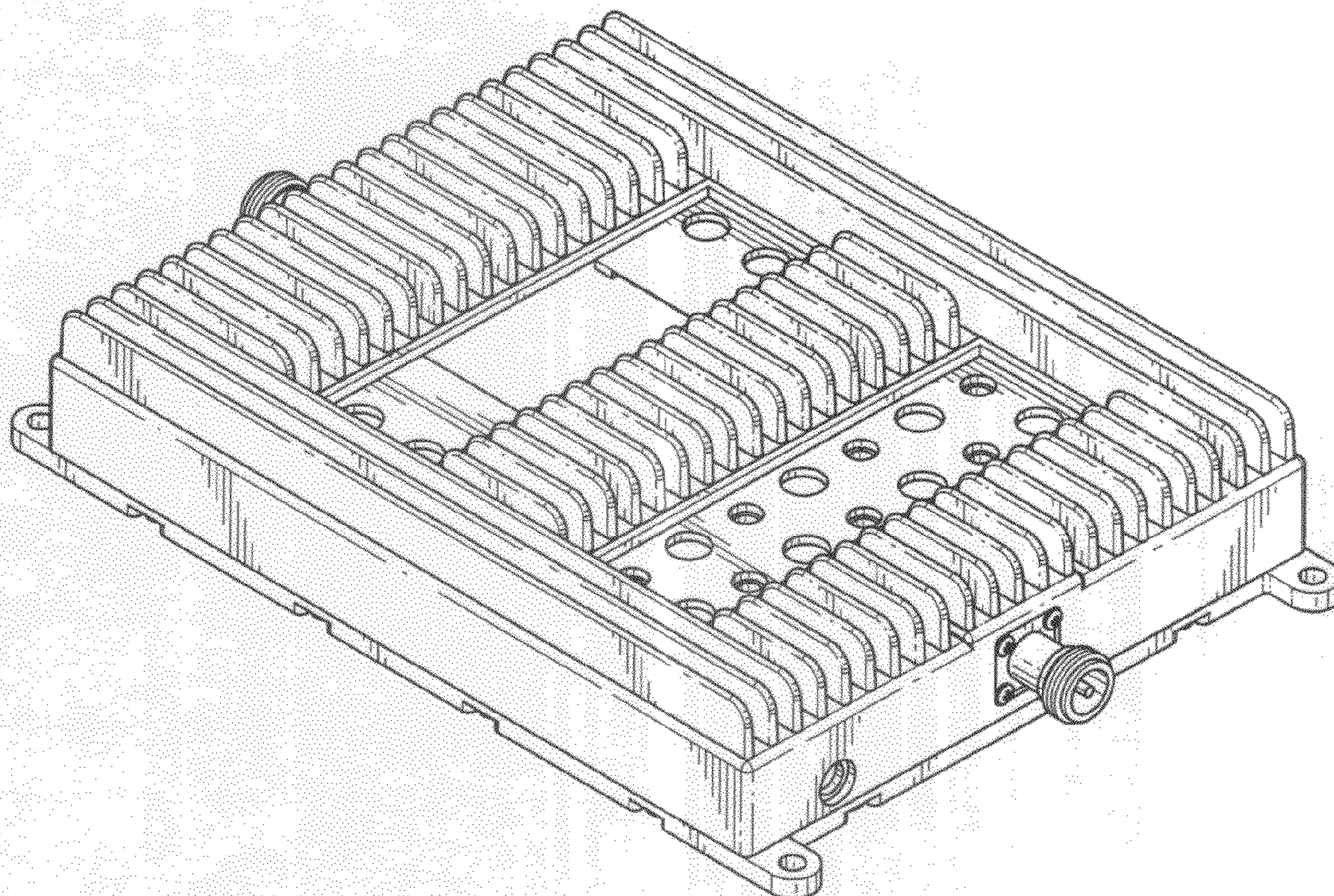
FIG. 3 is a bottom view thereof.

FIG. 4 is a right side view thereof, the left side view being identical thereto.

FIG. 5 is a front view thereof; and,

FIG. 6 is a rear view thereof.

1 Claim, 3 Drawing Sheets



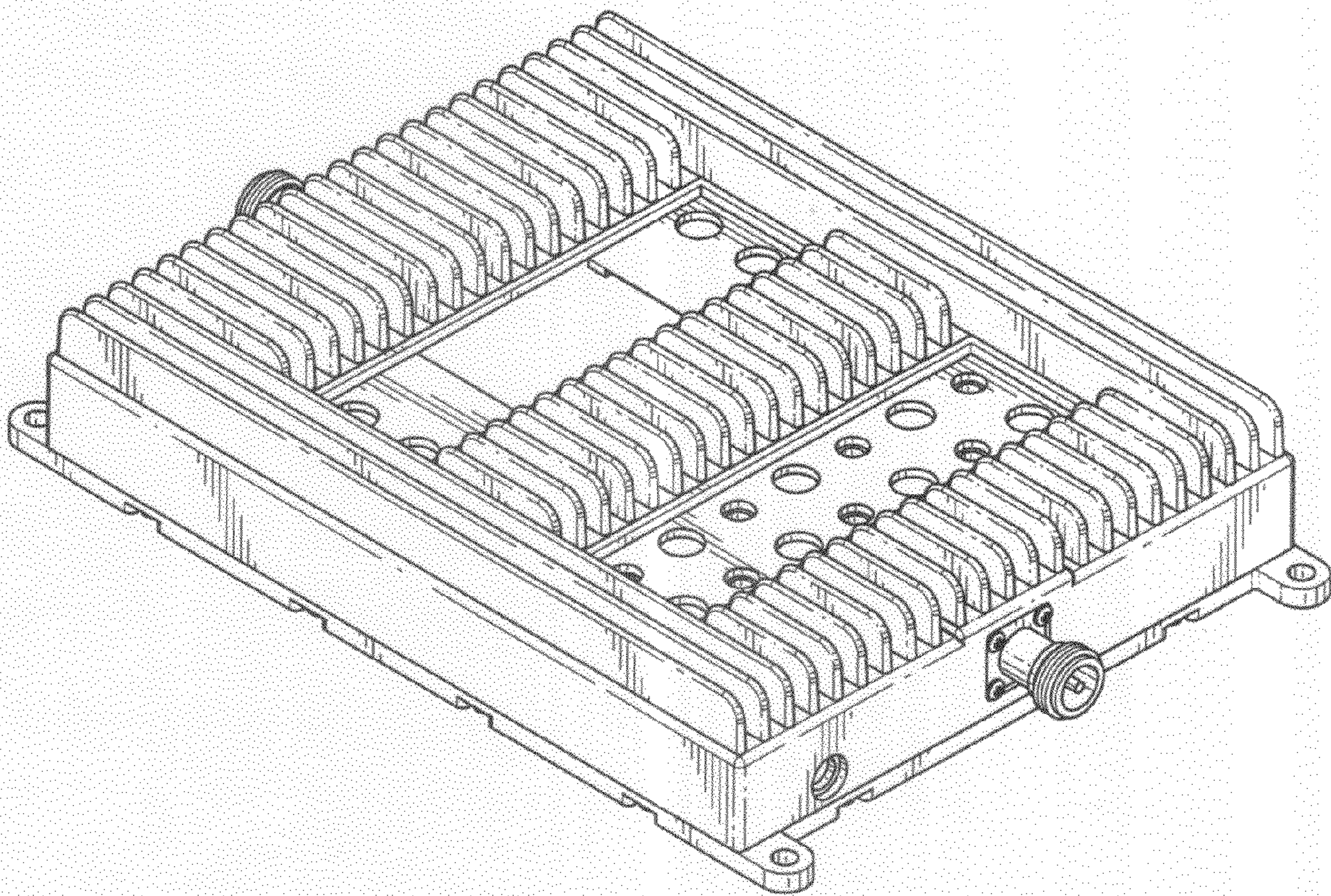


FIG. 1

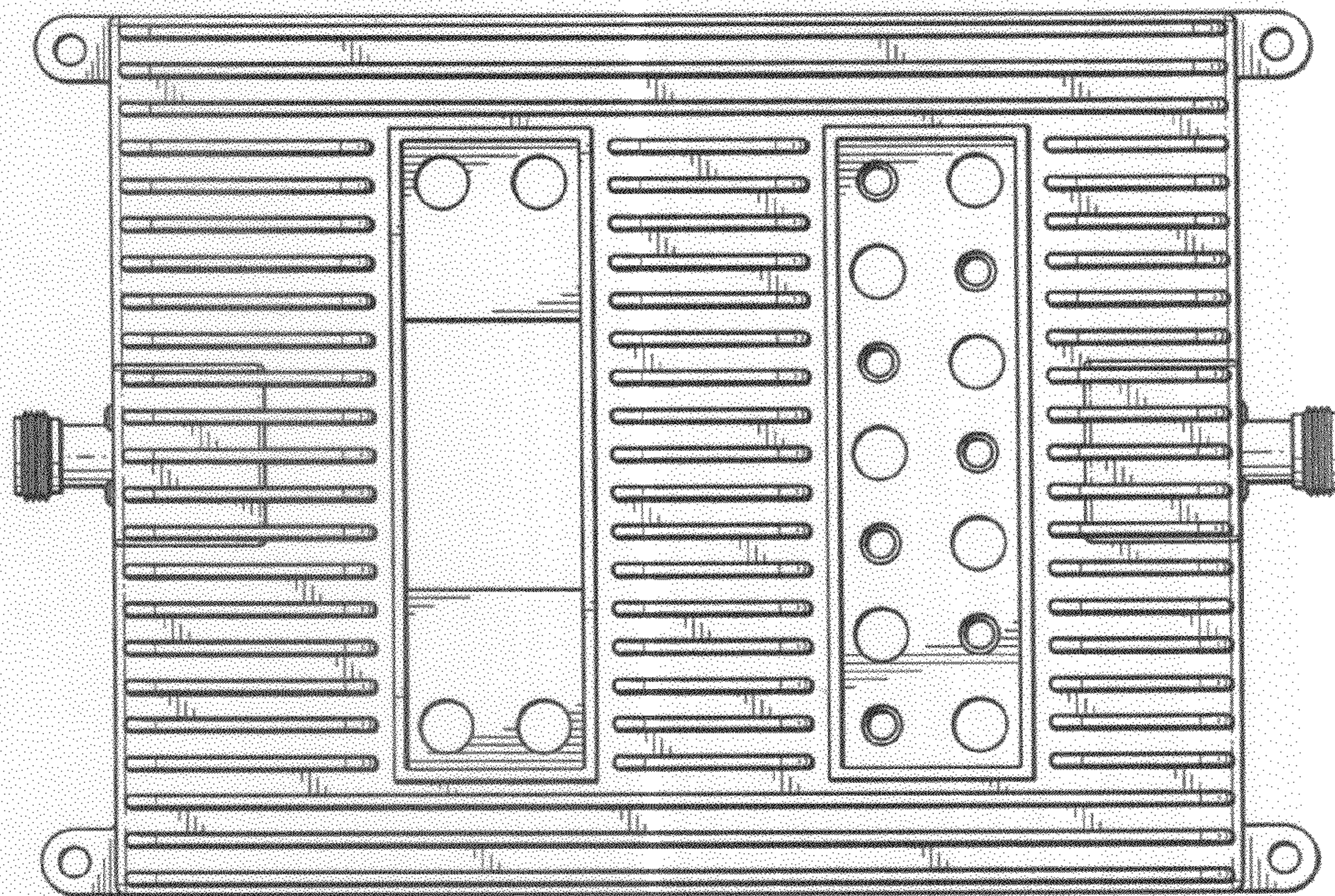


FIG. 2

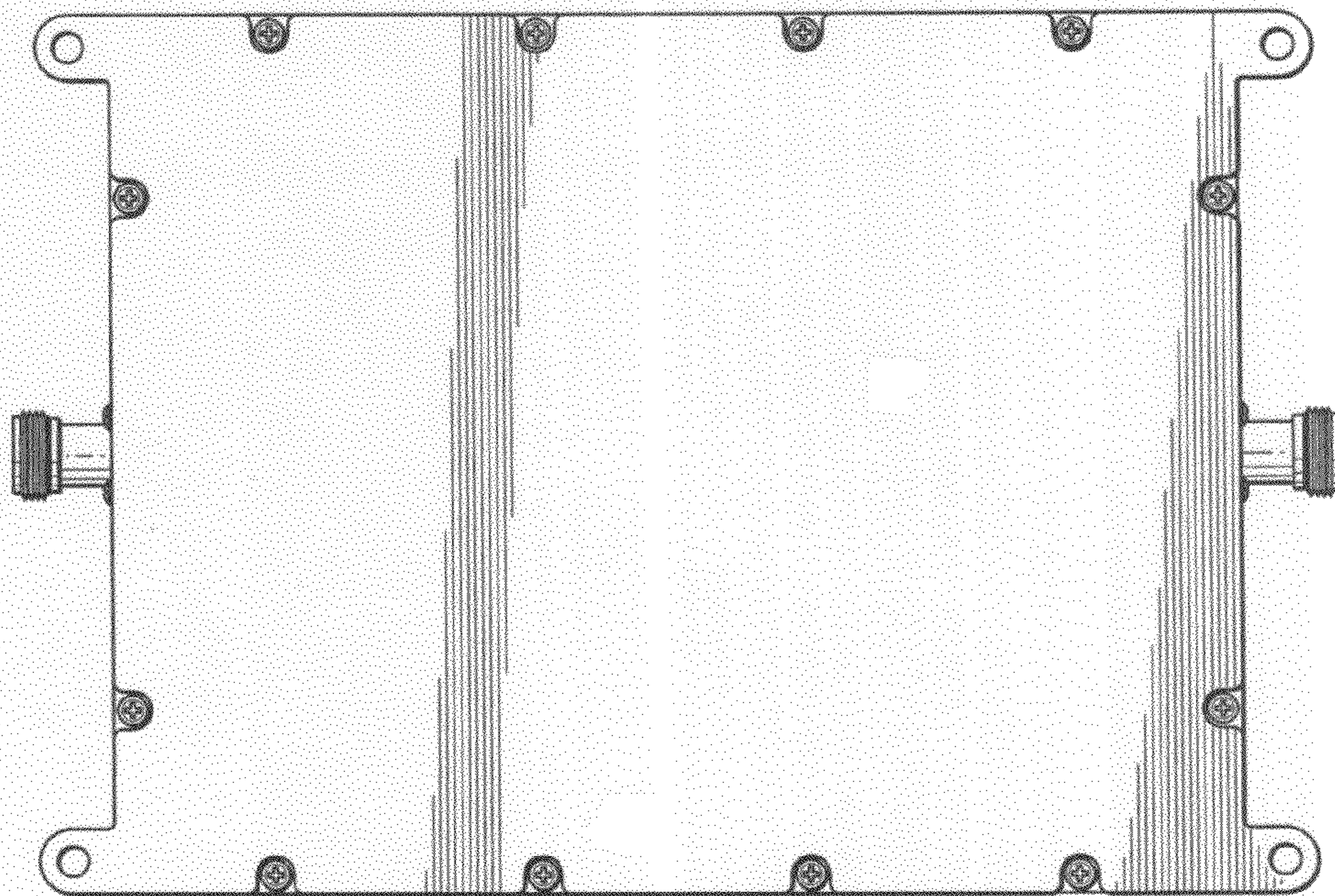


FIG. 3

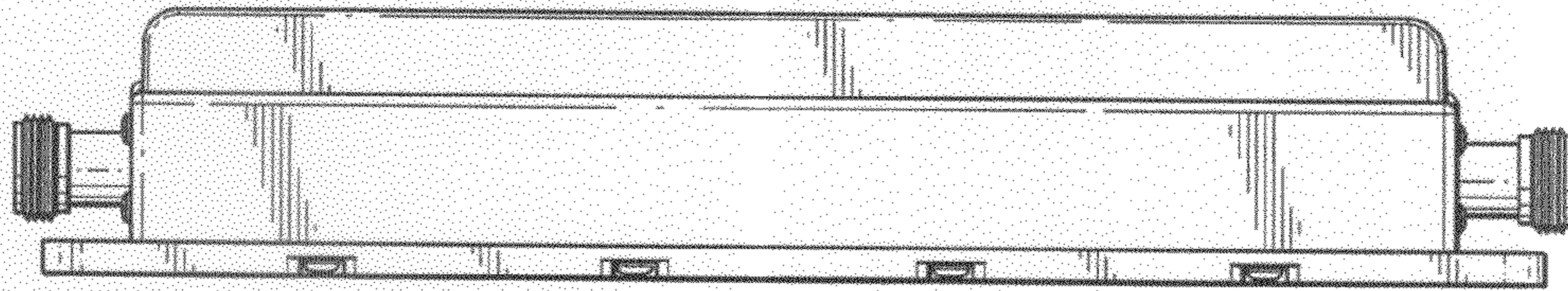


FIG. 4

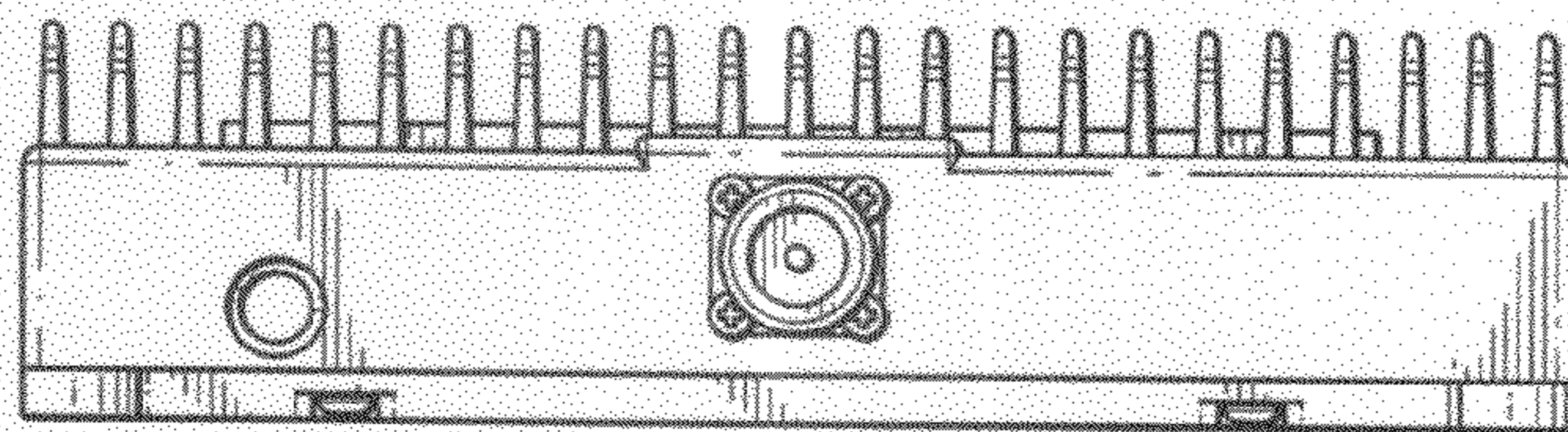


FIG. 5

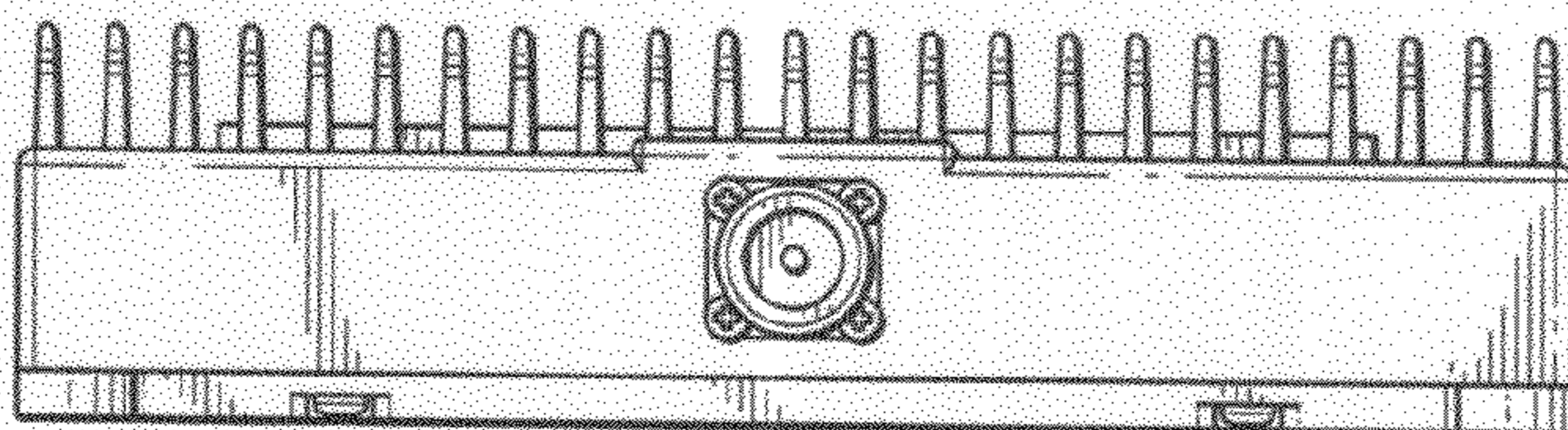


FIG. 6