



US00D703167S

(12) **United States Design Patent**  
**McManigal**

(10) **Patent No.:** **US D703,167 S**

(45) **Date of Patent:** **\*\* Apr. 22, 2014**

(54) **TELEVISION**

(71) Applicant: **Scott Paul McManigal**, Newport Beach,  
CA (US)

(72) Inventor: **Scott Paul McManigal**, Newport Beach,  
CA (US)

(73) Assignee: **Vizio Inc.**, Irvine, CA (US)

(\*\*) Term: **14 Years**

(21) Appl. No.: **29/451,301**

(22) Filed: **Mar. 29, 2013**

(51) **LOC (10) Cl.** ..... **14-03**

(52) **U.S. Cl.**  
USPC ..... **D14/126**

(58) **Field of Classification Search**  
USPC ..... D14/125-134, 239, 371, 136, 374-377,  
D14/440, 450, 448, 336, 342, 159; 312/7.2;  
348/836, 838, 180, 184, 325, 739;  
341/12; 248/917-924, 465; 345/104,  
345/133, 156, 168, 87, 173; 720/605, 669,  
720/600, 655; 369/99, 197; D21/329, 515,  
D21/577, 622, 333, 433, 448, 452, 450, 331,  
D21/505; D6/477, 479, 300; 273/148 B;  
446/484, 175, 356; D10/15, 26

See application file for complete search history.

(56) **References Cited**

U.S. PATENT DOCUMENTS

D537,799 S *	3/2007	Inoue .....	D14/126
D589,917 S *	4/2009	Kaneko et al. ....	D14/126
D594,428 S *	6/2009	Sun .....	D14/126
D595,249 S *	6/2009	Lee .....	D14/126
D608,312 S *	1/2010	Lim et al. ....	D14/126
D609,660 S *	2/2010	VanDuyn et al. ....	D14/126
D609,661 S *	2/2010	VanDuyn et al. ....	D14/126
D610,562 S *	2/2010	Chien .....	D14/126
D612,820 S *	3/2010	Jeong et al. ....	D14/126
D620,904 S *	8/2010	Honda .....	D14/126
D642,144 S *	7/2011	Ko et al. ....	D14/126
D683,710 S *	6/2013	Jeon et al. ....	D14/126

\* cited by examiner

*Primary Examiner* — Raphael Barkai

(74) *Attorney, Agent, or Firm* — Law Office of Scott C. Harris, Inc.

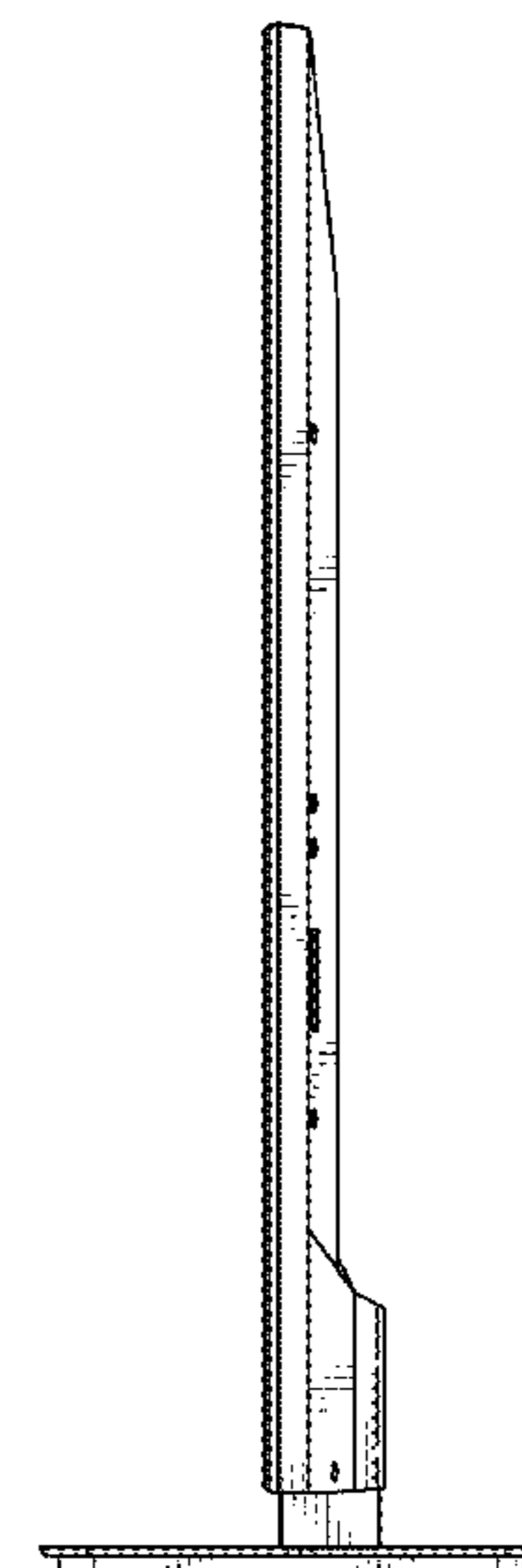
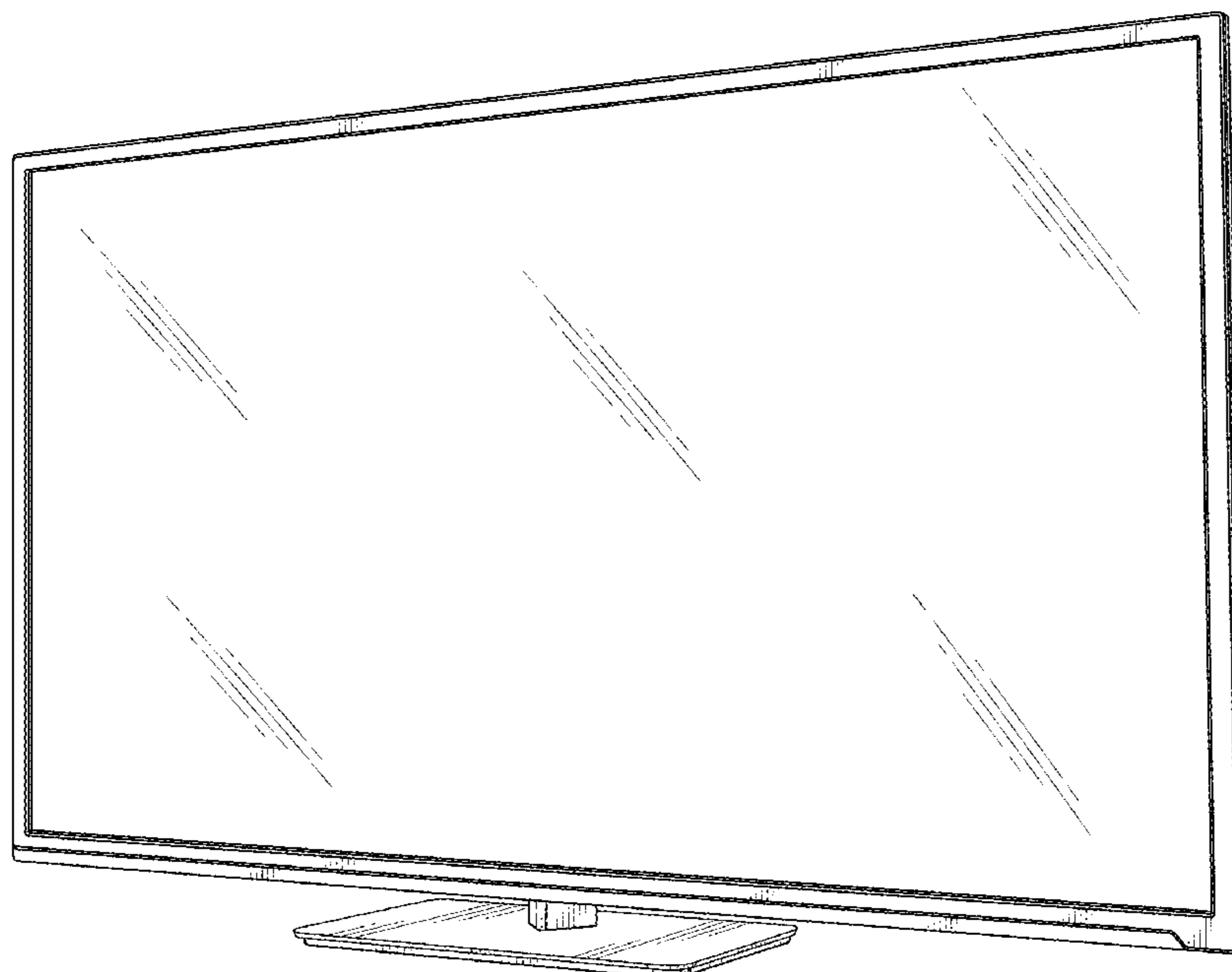
(57) **CLAIM**

I claim the ornamental design for a television, as shown and described.

**DESCRIPTION**

FIG. 1 is a front perspective view of the television;  
FIG. 2 is a front-on view of the television;  
FIG. 3 shows a rear view of the television;  
FIG. 4 shows a first side-on view of the television;  
FIG. 5 shows a second side-on view of the television;  
FIG. 6 shows a top view of the television; and,  
FIG. 7 shows a bottom view of the television.  
The portions of the graphical user interface shown in broken lines form no part of the claimed design.

**1 Claim, 5 Drawing Sheets**



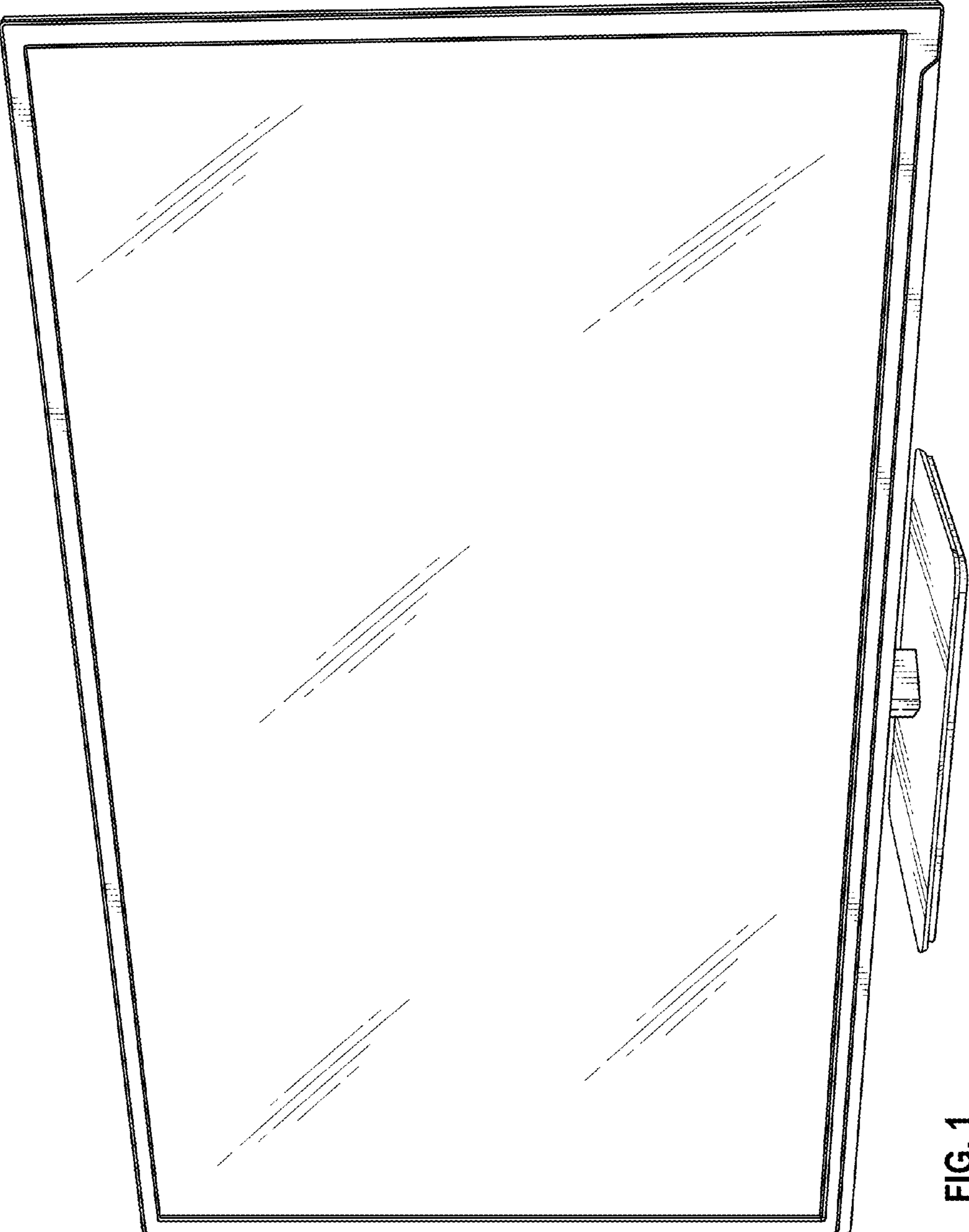


FIG. 1

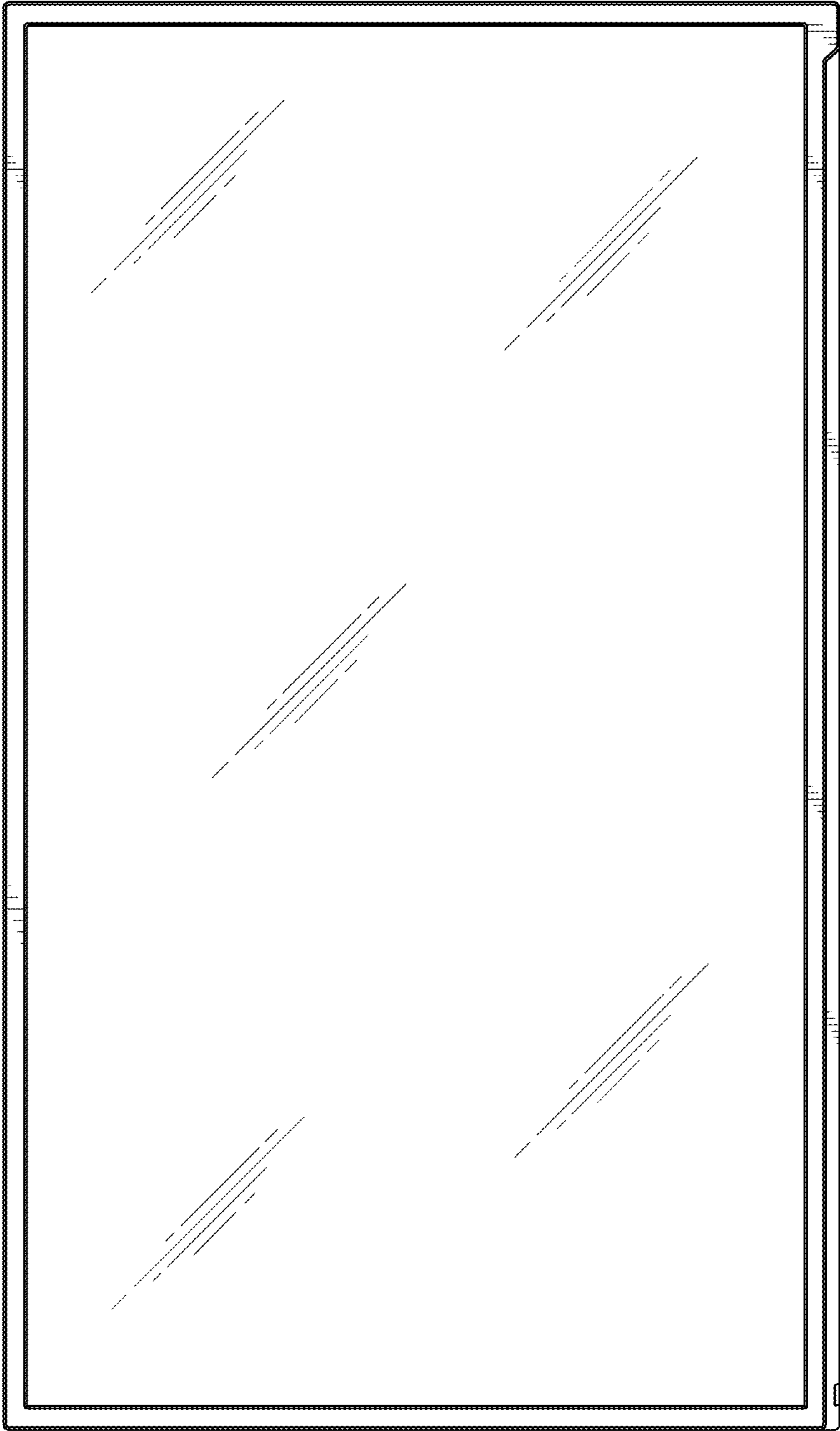


FIG. 2

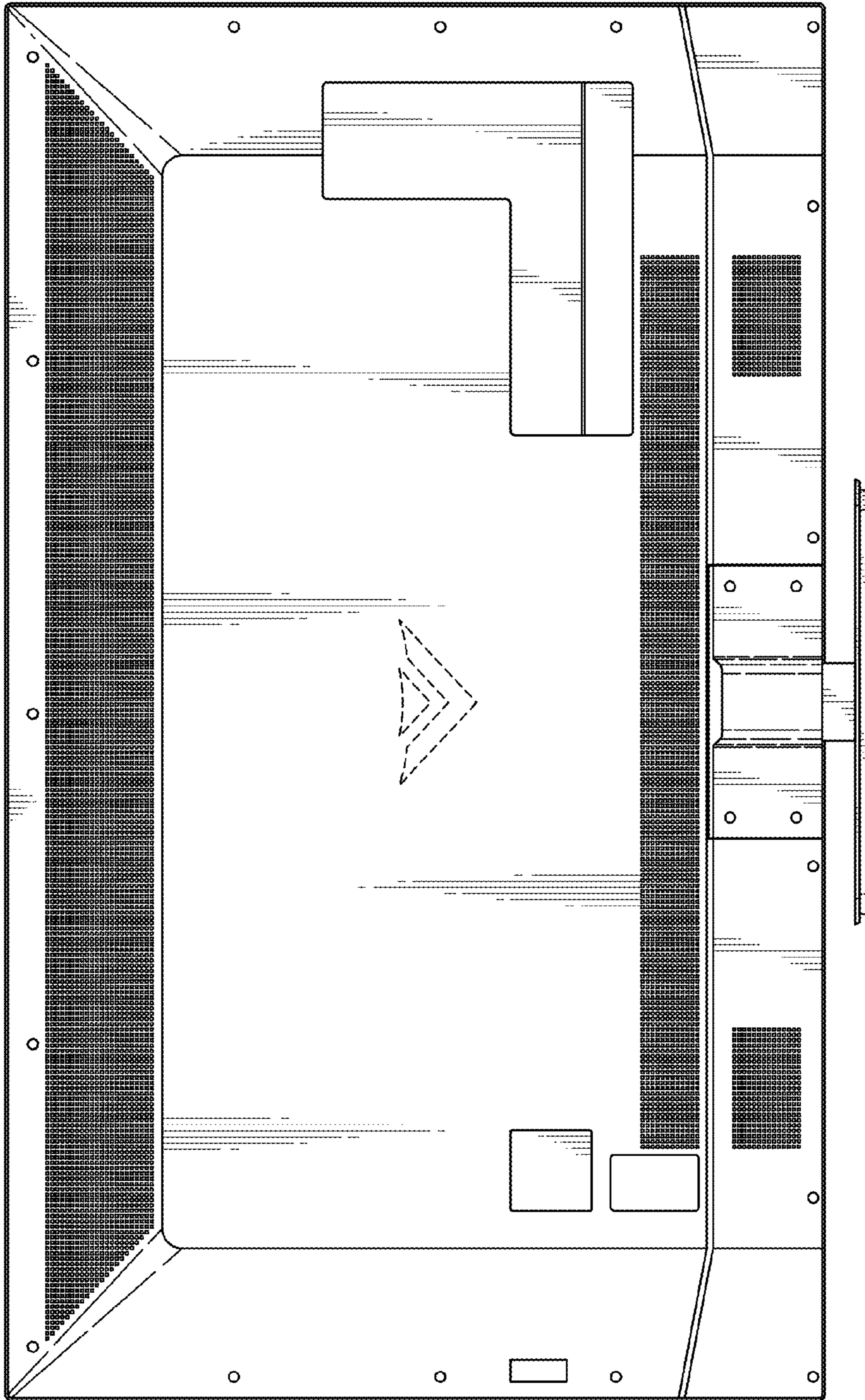


FIG. 3

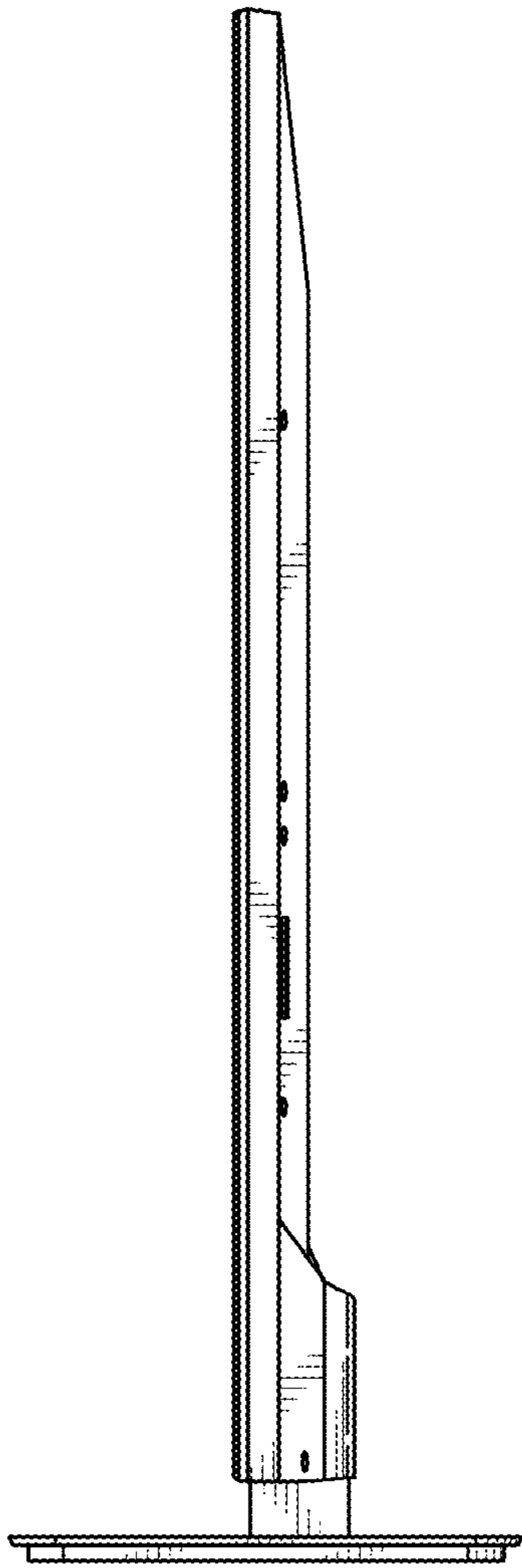


FIG. 4

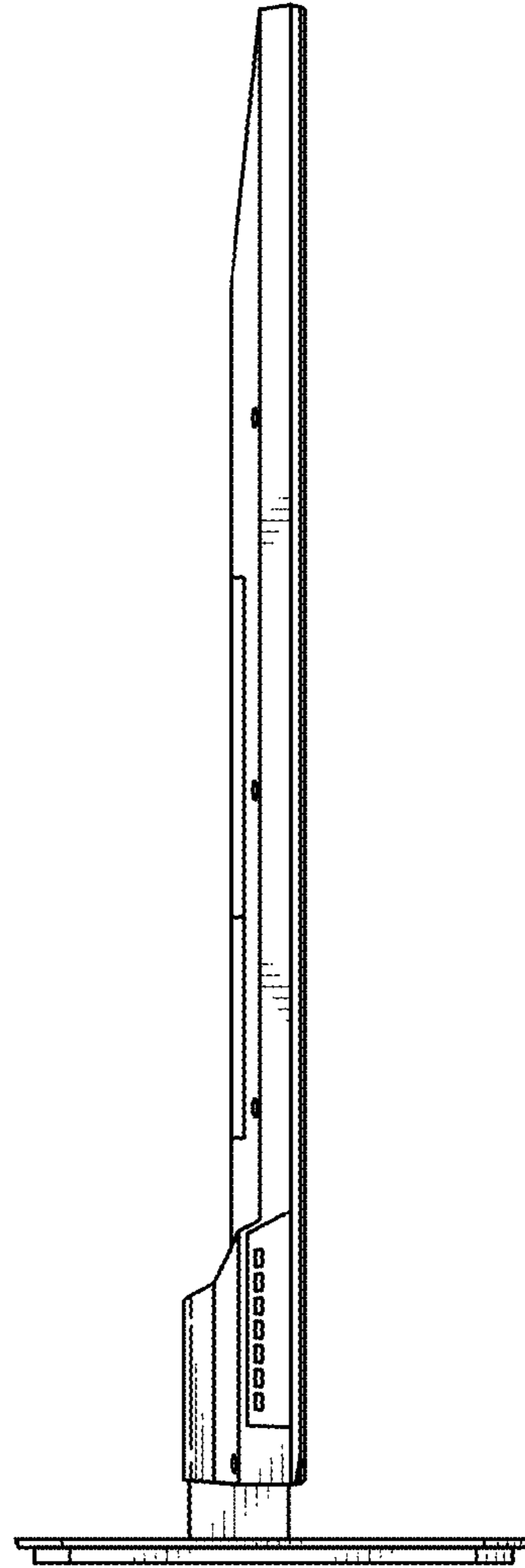


FIG. 5

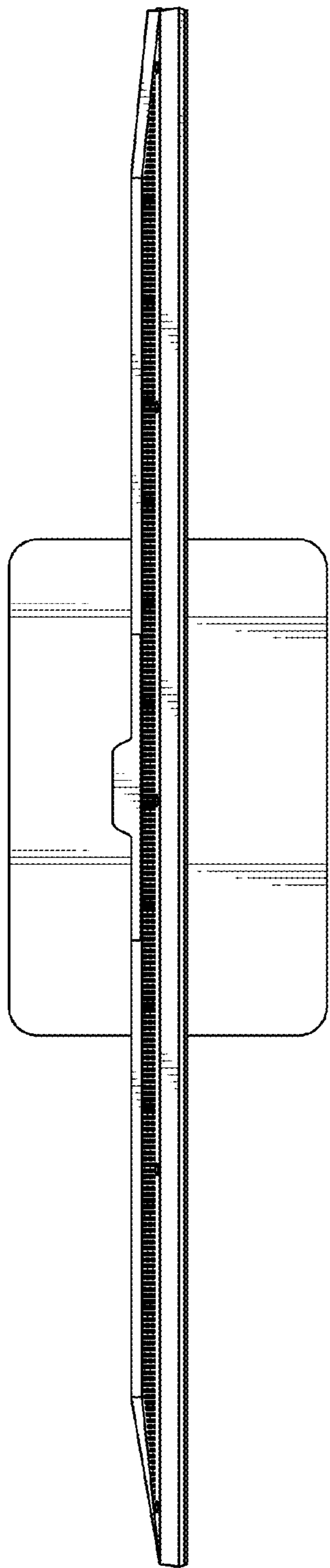


FIG. 6

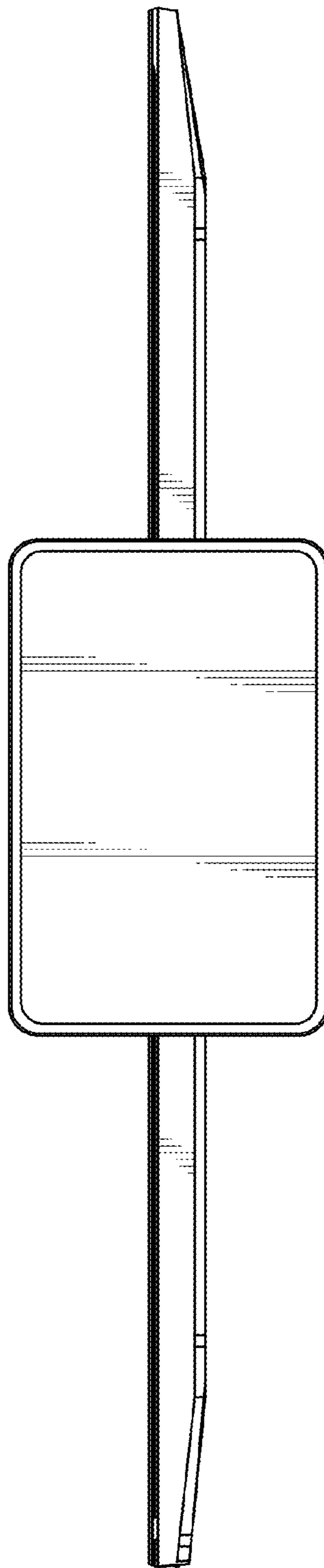


FIG. 7