



US00D703165S

(12) **United States Design Patent**  
**Bang et al.**

(10) **Patent No.:** **US D703,165 S**

(45) **Date of Patent:** **\*\* Apr. 22, 2014**

(54) **AV PLAYER**

(56) **References Cited**

(71) Applicant: **Samsung Electronics Co., Ltd.**,  
Suwon-si (KR)

U.S. PATENT DOCUMENTS

(72) Inventors: **Sung-II Bang**, Seoul (KR); **Chae-Joo Son**, Seoul (KR); **Byung-Min Woo**,  
Bucheon-Si (KR)

D513,617 S *	1/2006	Tierney .....	D14/496
D549,190 S *	8/2007	Paradise et al. ....	D14/125
D556,705 S *	12/2007	Reynolds et al. ....	D14/125
D558,783 S *	1/2008	Andre et al. ....	D14/496
D593,972 S *	6/2009	Cho et al. ....	D14/125
D600,251 S *	9/2009	Poandl .....	D14/496
D616,875 S *	6/2010	Oh et al. ....	D14/240
D622,259 S *	8/2010	Joseph et al. ....	D14/171
D626,831 S *	11/2010	Nicholas .....	D9/432
D639,255 S *	6/2011	de Salis .....	D14/125
D650,394 S *	12/2011	Seoc et al. ....	D14/496
D673,128 S *	12/2012	Kelly et al. ....	D14/125
D675,173 S *	1/2013	Paradise et al. ....	D14/125

(73) Assignee: **Samsung Electronics Co., Ltd.**,  
Suwon-si (KR)

(\*\*) Term: **14 Years**

\* cited by examiner

(21) Appl. No.: **29/457,643**

*Primary Examiner* — Randall Gholson

(22) Filed: **Jun. 12, 2013**

(74) *Attorney, Agent, or Firm* — NSIP Law

(30) **Foreign Application Priority Data**

(57) **CLAIM**

The ornamental design for an AV player, as shown and described.

Dec. 13, 2012 (KR) ..... 30-2012-0060282

(51) **LOC (10) Cl.** ..... **14-03**

(52) **U.S. Cl.**

USPC ..... **D14/125**

(58) **Field of Classification Search**

USPC ..... D14/125, 357-358, 496, 188, 242, 432;  
D13/184; 348/10, 460, 706, 731;  
340/825.03; 455/6.1, 6.2; 312/223.1,  
312/7.2; D9/432

See application file for complete search history.

**DESCRIPTION**

FIG. 1 is a perspective view of an AV player, showing our new design;  
FIG. 2 is a front view thereof;  
FIG. 3 is a rear view thereof;  
FIG. 4 is a left-side view thereof;  
FIG. 5 is a right-side view thereof;  
FIG. 6 is a top plan view thereof; and,  
FIG. 7 is a bottom plan view thereof.  
The broken lines are for environmental purposes only and form no part of the claimed design. The shade lines in the figures show contour and not surface ornamentation.

**1 Claim, 5 Drawing Sheets**

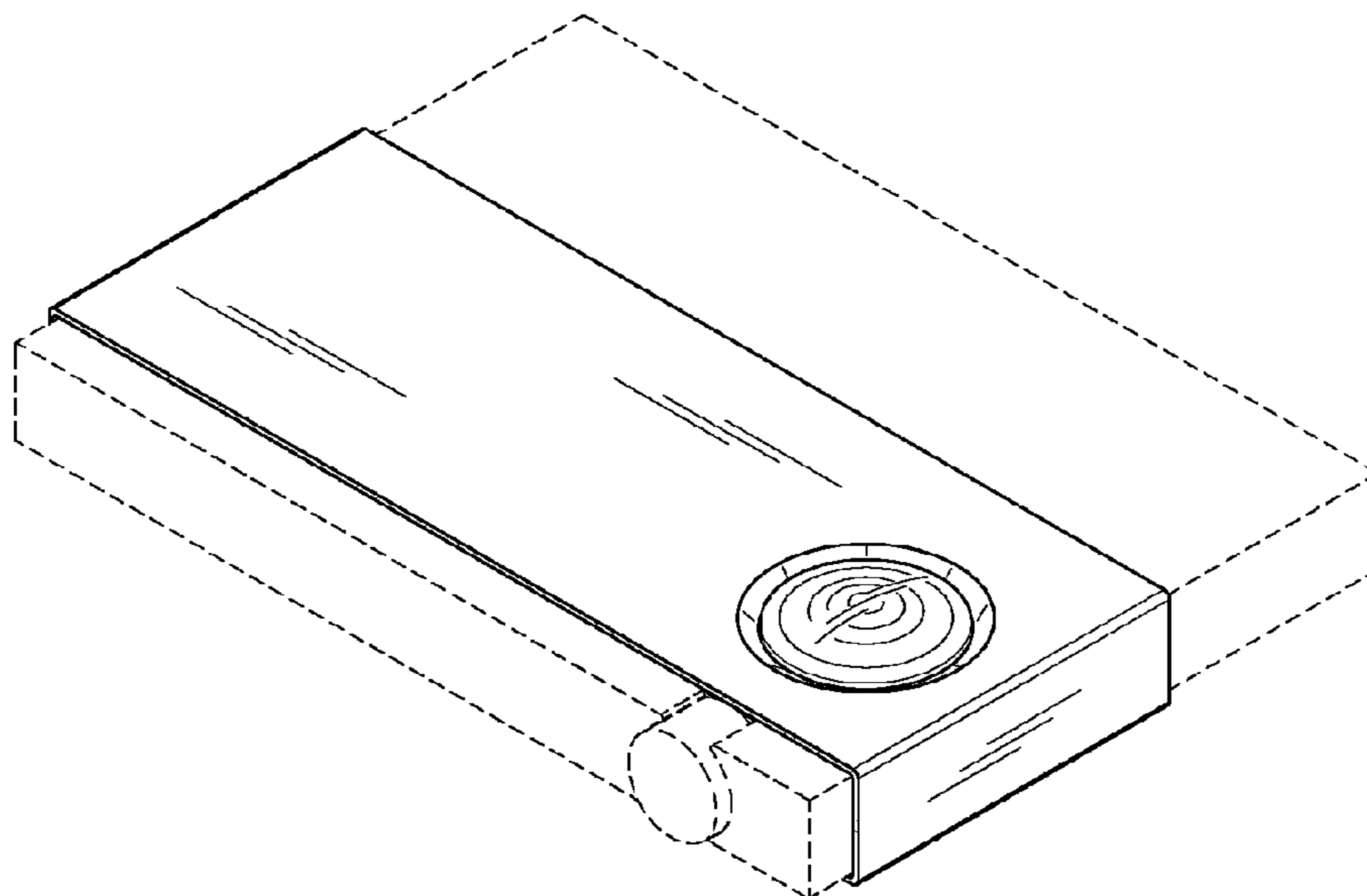


FIG.1

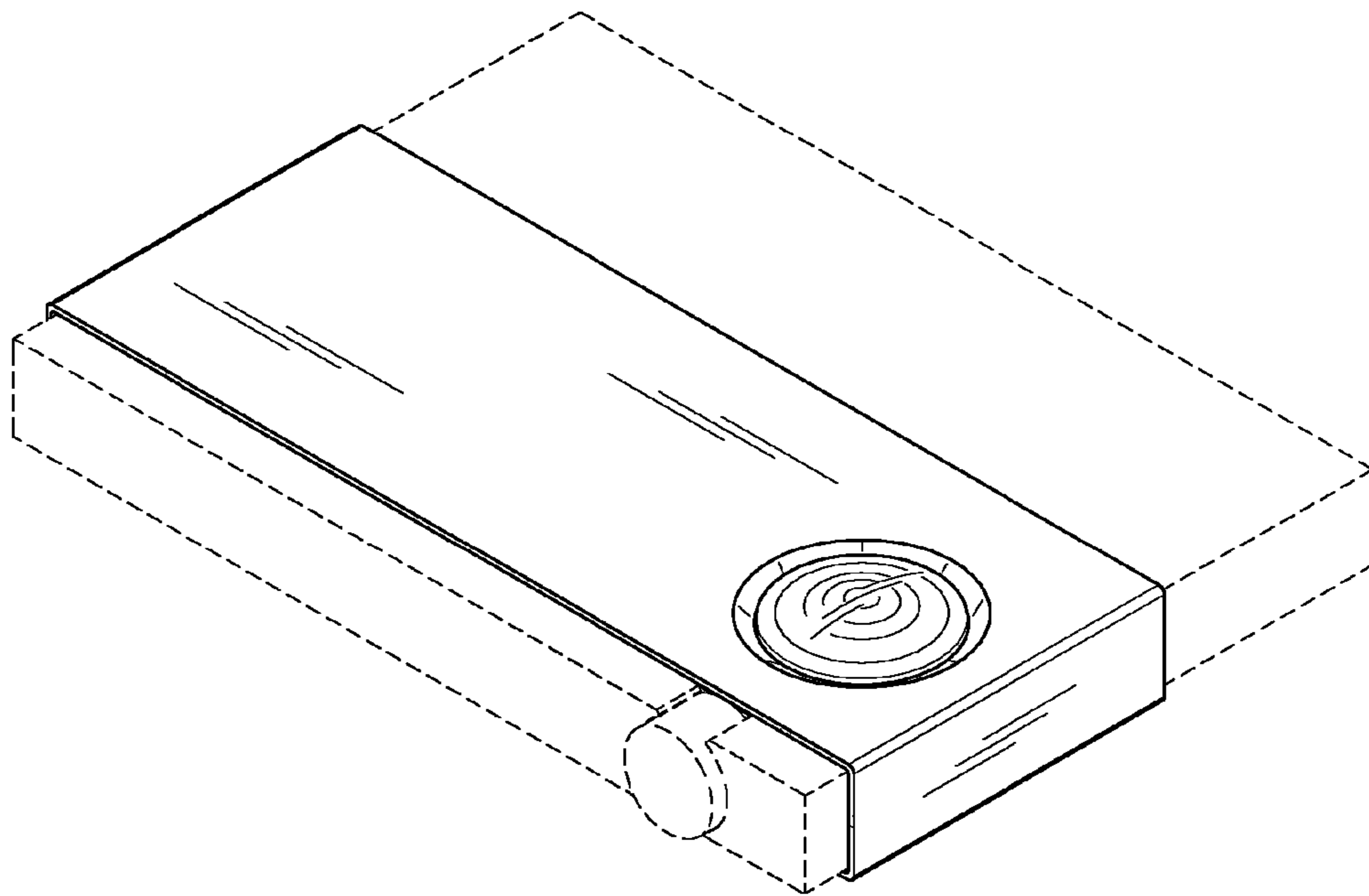


FIG.2

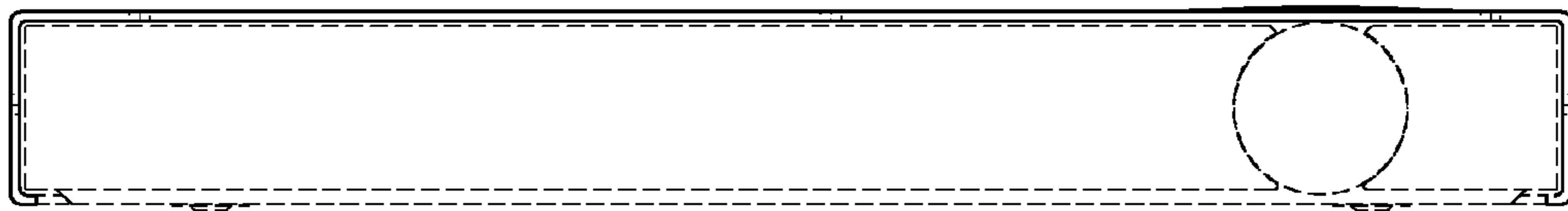


FIG.3

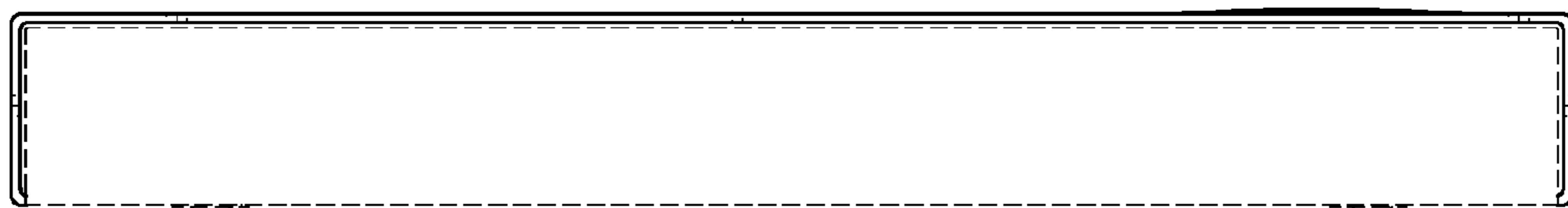


FIG.4

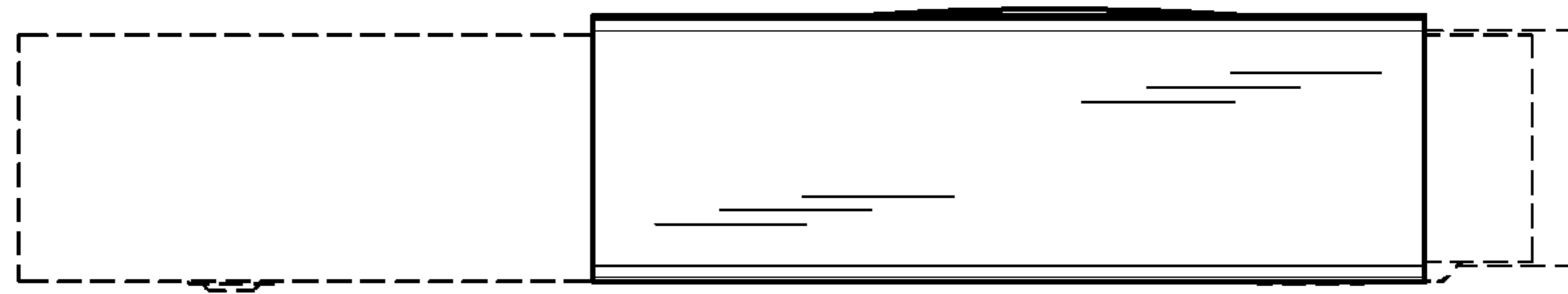


FIG.5

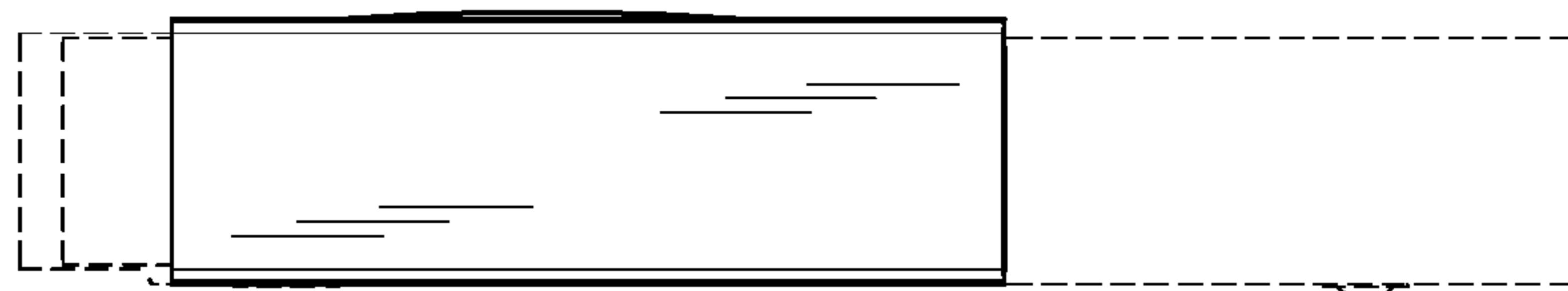


FIG.6

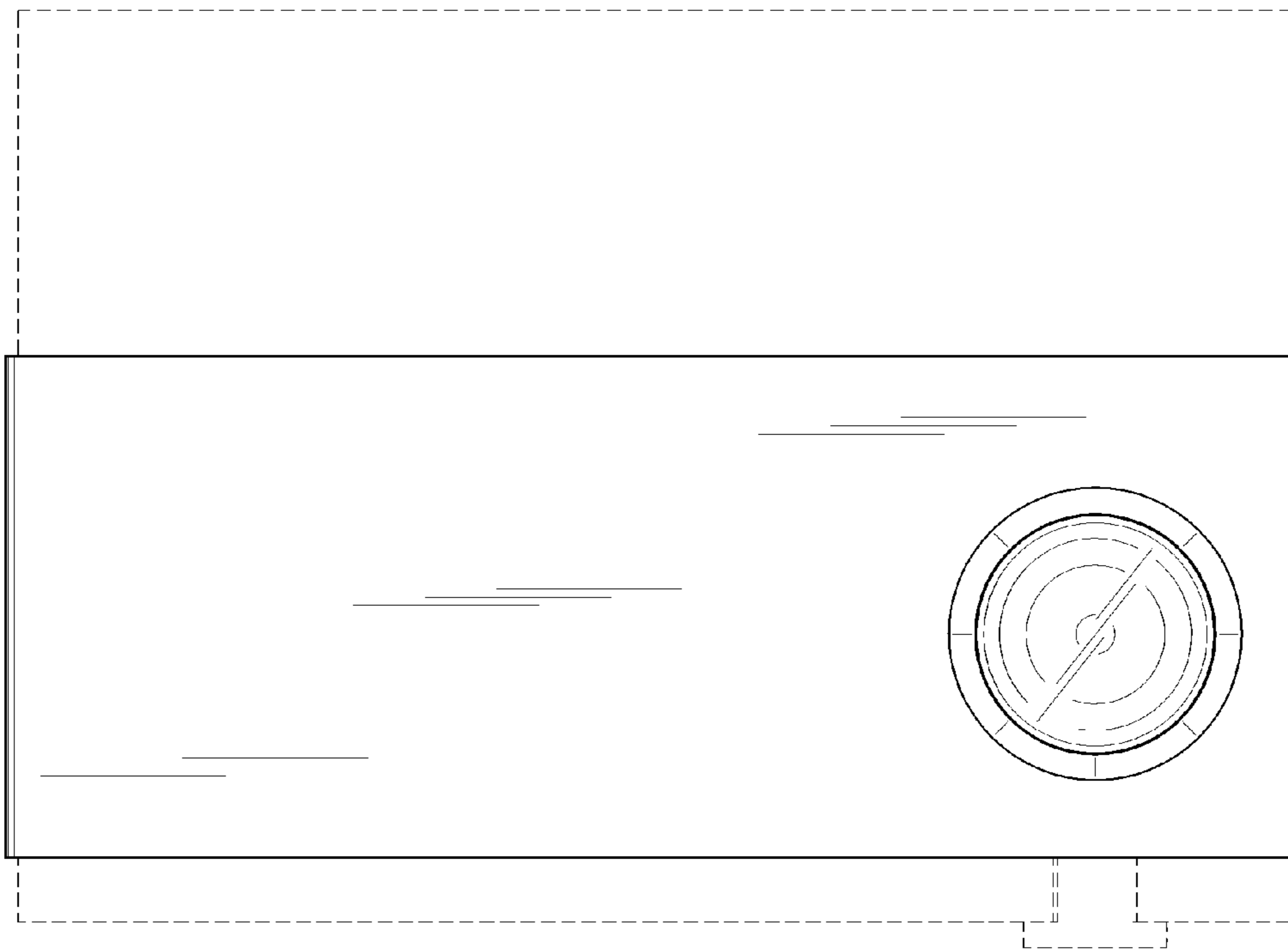


FIG. 7

