



US00D703163S

(12) **United States Design Patent**
Katori

(10) **Patent No.:** **US D703,163 S**

(45) **Date of Patent:** **** Apr. 22, 2014**

(54) **RECORDER**

(71) Applicant: **Panasonic Corporation**, Kadoma (JP)

(72) Inventor: **Takehito Katori**, Fukuoka (JP)

(73) Assignee: **Panasonic Corporation**, Osaka (JP)

(**) Term: **14 Years**

(21) Appl. No.: **29/451,044**

(22) Filed: **Mar. 27, 2013**

(51) **LOC (10) Cl.** **14-03**

(52) **U.S. Cl.**
USPC **D14/125; D14/135**

(58) **Field of Classification Search**
USPC D14/125, 357-358, 496, 188, 242, 432,
D14/135; D13/184; 348/10, 460, 706, 731;
340/825.03; 455/6.1, 6.2; 312/223.1,
312/7.2; D9/432

See application file for complete search history.

(56) **References Cited**

U.S. PATENT DOCUMENTS

D323,506 S * 1/1992 Breslau D14/217
5,683,158 A * 11/1997 Lim 312/326
D414,183 S * 9/1999 Honjo D14/502
D423,008 S * 4/2000 Shintani D14/168

D430,131 S * 8/2000 Yasutomi et al. D14/502
D446,194 S * 8/2001 Yamazaki et al. D14/135
D487,257 S * 3/2004 Miyazaki D14/506
6,903,937 B2 * 6/2005 Watanabe 361/752
7,477,320 B2 * 1/2009 Ranta et al. 348/460
D650,762 S * 12/2011 Constin et al. D14/125

* cited by examiner

Primary Examiner — Randall Gholson

(74) *Attorney, Agent, or Firm* — Brinks Gilson & Lione

(57) **CLAIM**

I claim the ornamental design for a recorder, as shown and described.

DESCRIPTION

FIG. 1 is a top perspective view of a recorder of the present invention;

FIG. 2 is a front view thereof;

FIG. 3 is a rear view thereof;

FIG. 4 is a top view thereof;

FIG. 5 is a bottom view thereof;

FIG. 6 is a left side view thereof; and,

FIG. 7 is a right side view thereof.

The broken lines shown represent unclaimed subject matter and form no part of the claimed design. Additionally, the unevenly broken lines in the drawings define the limits of the claimed design.

1 Claim, 5 Drawing Sheets

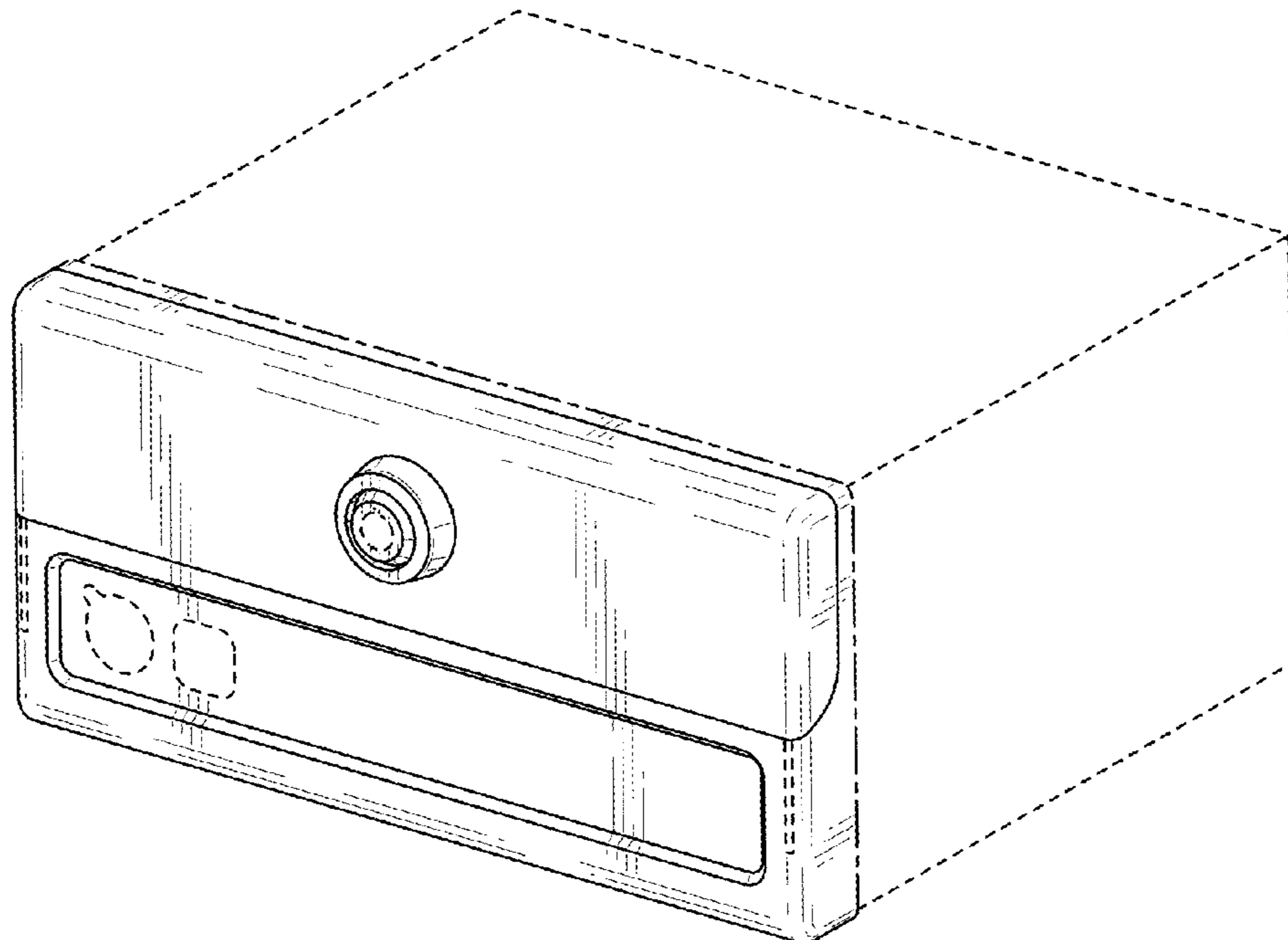


FIG. 1

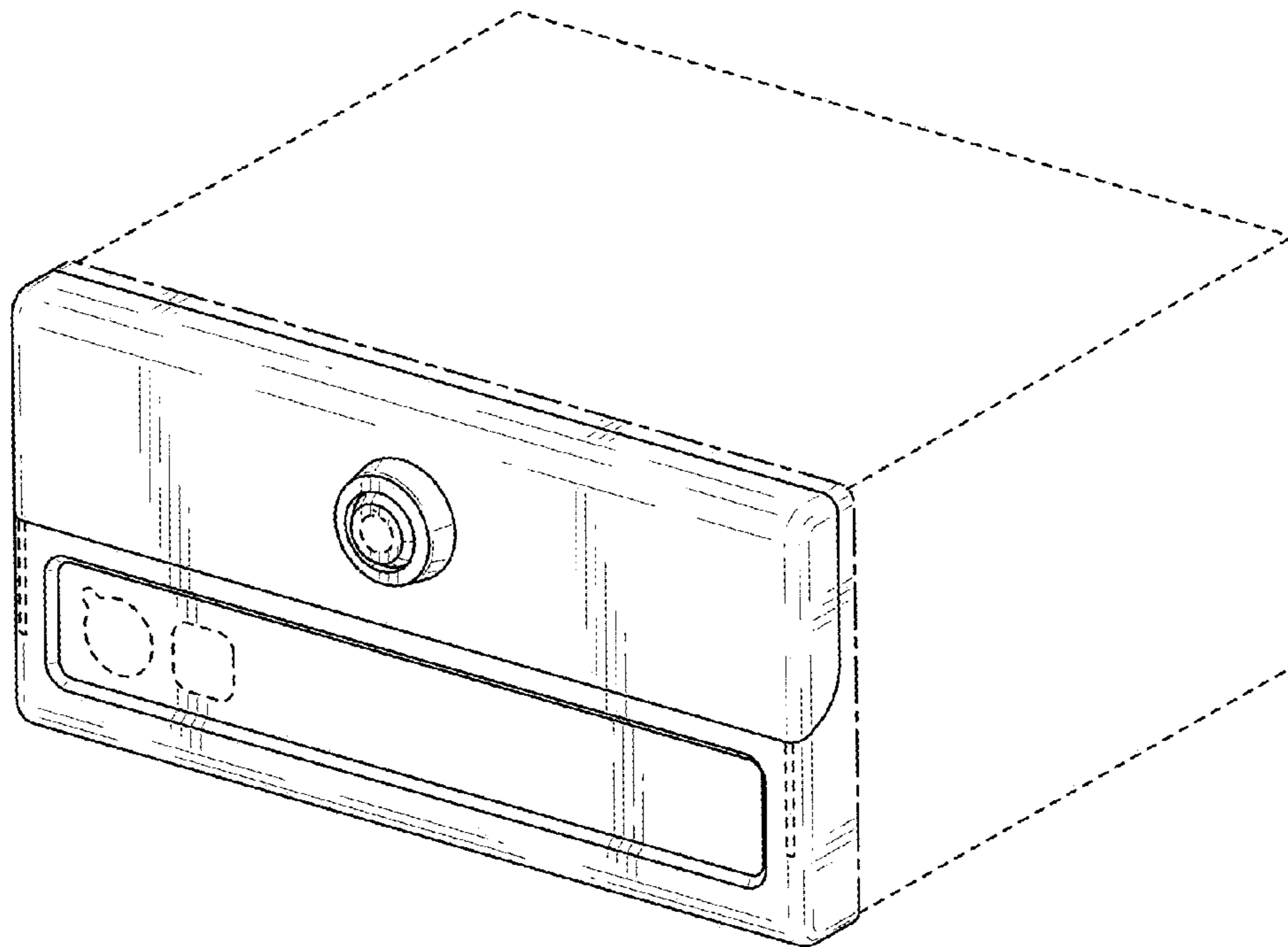


FIG. 2.

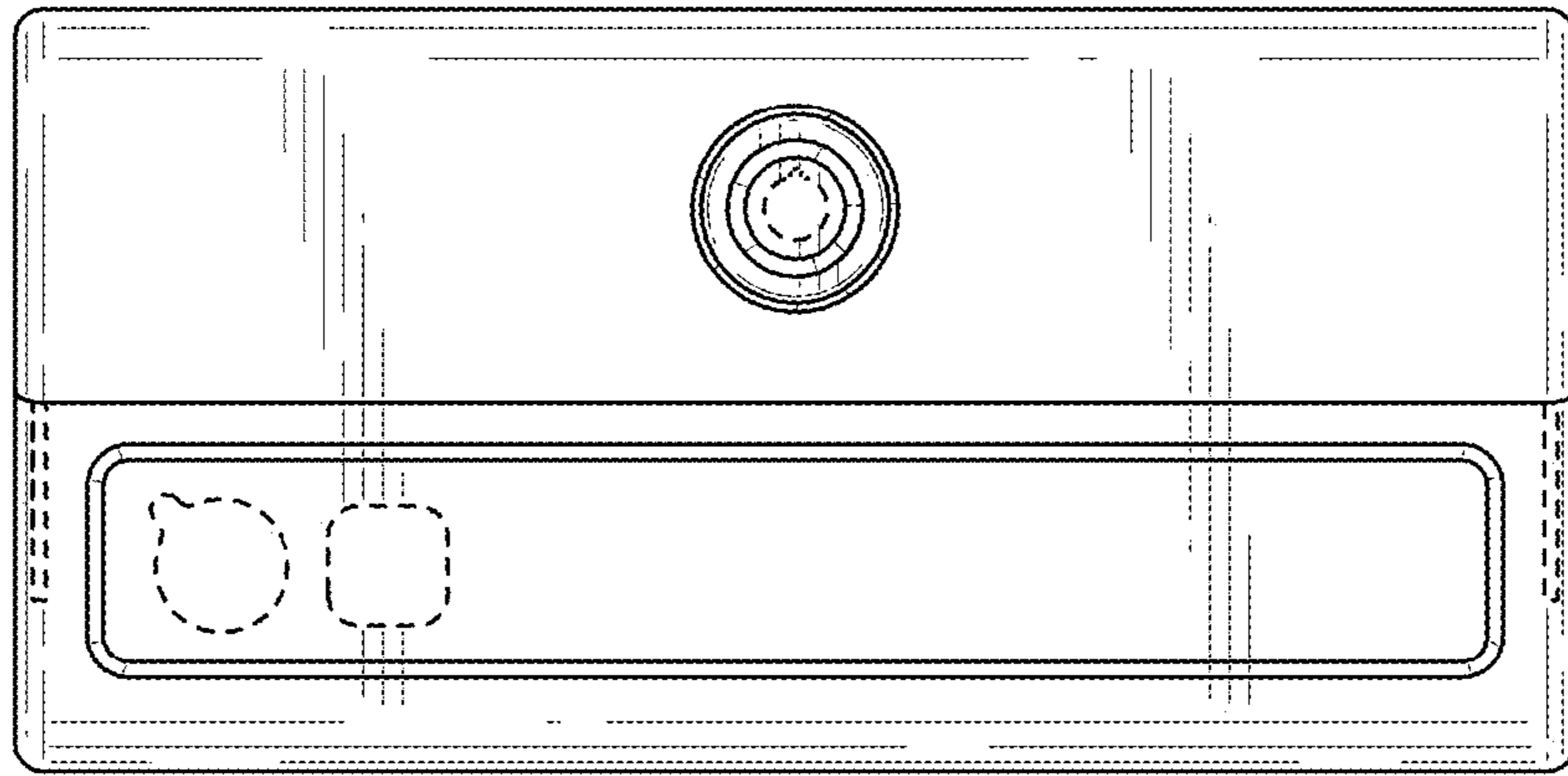


FIG. 3



FIG. 4

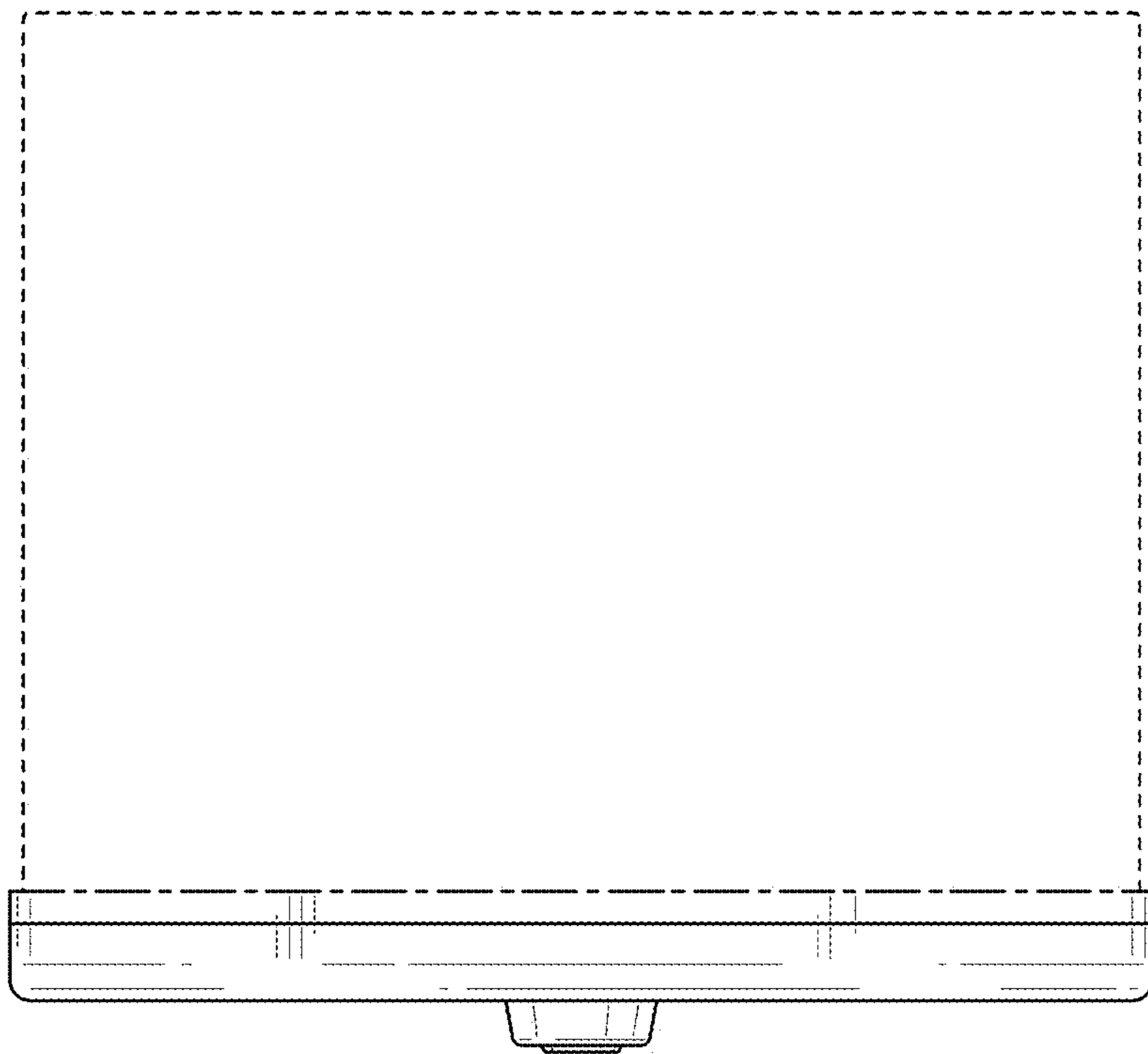


FIG. 5

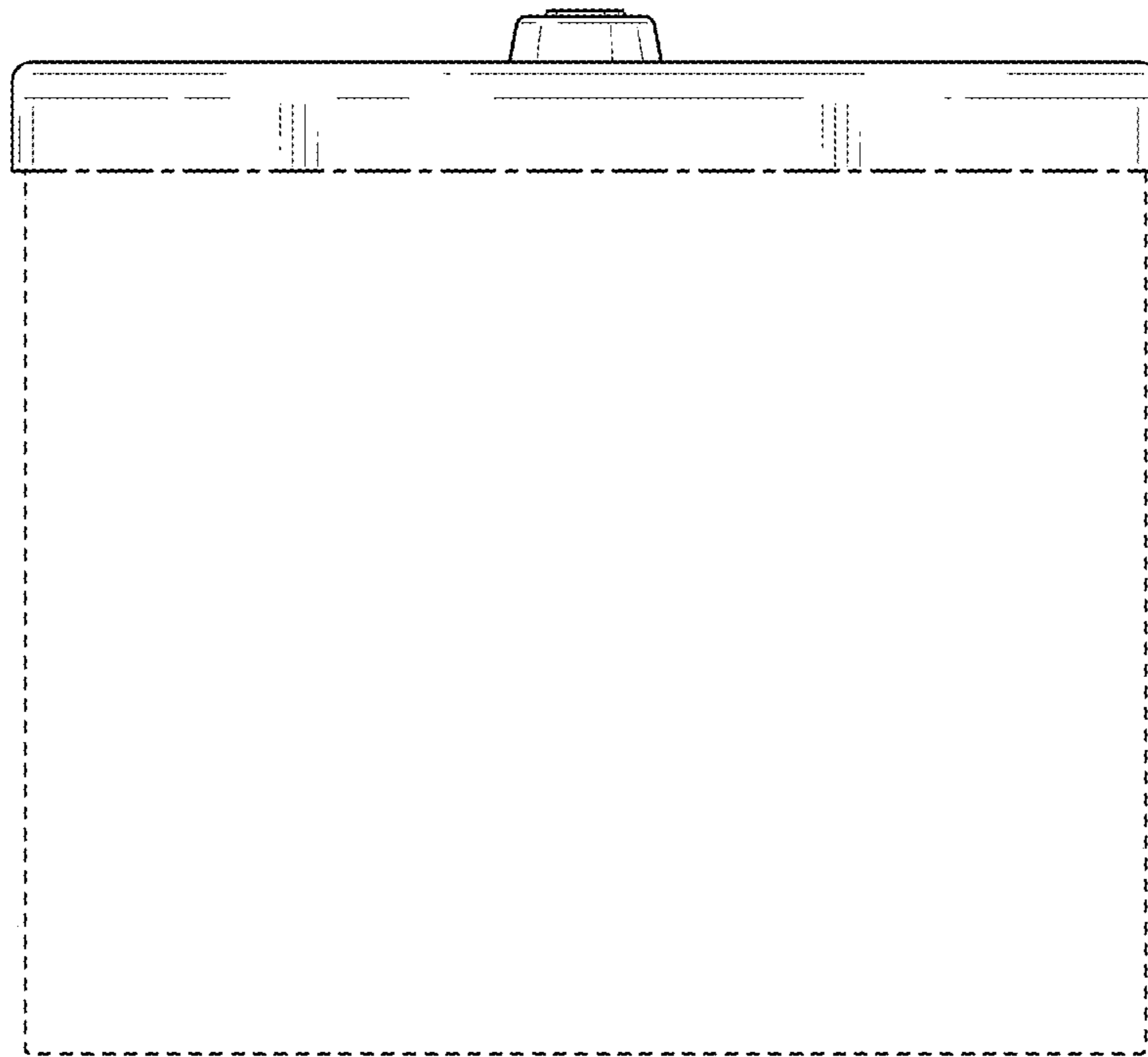


FIG. 6



FIG. 7

