



US00D703159S

(12) **United States Design Patent**
Tokunaga

(10) **Patent No.:** **US D703,159 S**

(45) **Date of Patent:** **** Apr. 22, 2014**

(54) **LIGHT EMITTING DIODE**

(75) Inventor: **Eiji Tokunaga**, Anan (JP)

(73) Assignee: **Nichia Corporation**, Anan-Shi,
Tokushima (JP)

(**) Term: **14 Years**

(21) Appl. No.: **29/371,728**

(22) Filed: **Aug. 1, 2011**

(30) **Foreign Application Priority Data**

Feb. 7, 2011 (JP) 2011-002513
Feb. 7, 2011 (JP) 2011-002514

(51) **LOC (10) Cl.** **13-03**

(52) **U.S. Cl.**
USPC **D13/180**

(58) **Field of Classification Search**
USPC D13/180; D26/1, 2; 257/79, 80, 81, 88,
257/89, 95, 98, 99, 100, E33.058; 313/483,
313/498, 500; 362/555, 800
See application file for complete search history.

(56) **References Cited**

U.S. PATENT DOCUMENTS

D491,899 S * 6/2004 Yagi D13/180
D505,398 S 5/2005 Nakashima
D573,113 S * 7/2008 Bando D13/180
D580,381 S * 11/2008 Bando D13/180
D584,699 S * 1/2009 Bando D13/180
D585,848 S * 2/2009 Kim et al. D13/180
D592,617 S * 5/2009 Bando D13/180
D598,400 S * 8/2009 Bando D13/180
D599,749 S * 9/2009 Bando D13/180
D621,800 S * 8/2010 Hsieh D13/180
D642,998 S * 8/2011 Lin et al. D13/180
2009/0242915 A1 * 10/2009 Chang Chien et al. 257/98
2011/0227105 A1 * 9/2011 Hwu et al. 257/91
2012/0037939 A1 * 2/2012 Urano 257/98

FOREIGN PATENT DOCUMENTS

JP D1204855 5/2004
JP D1343730 11/2008
JP D1344180 11/2008
JP D1344184 11/2008

OTHER PUBLICATIONS

Nichia Corporation, "LED Ever Researching for a Brighter World",
2009 Nichia LED Catalogue, Mar. 2009, pp. 36-37, 98-99.
Rohm Co., Ltd., "Triple Color Chip LED with Reflector
SMLV56RGB1W", Rohm Product Catalogue, Jan. 18, 2010, 2 pages
in English and Japanese.

* cited by examiner

Primary Examiner — Selina Sikder

(74) *Attorney, Agent, or Firm* — Foley & Lardner LLP

(57) **CLAIM**

We claim the ornamental design for a light emitting diode, as
shown and described.

DESCRIPTION

FIG. 1 is a front view of the light emitting diode according to
our new design;
FIG. 2 is a rear view thereof;
FIG. 3 is a top view thereof;
FIG. 4 is a bottom view thereof;
FIG. 5 is a right side view thereof;
FIG. 6 is a left side view thereof;
FIG. 7 is a front, bottom, right side perspective view thereof;
and,
FIG. 8 is a rear, bottom, right side perspective view thereof.
The ornamental design which is claimed is shown in solid
lines in the drawings. The broken lines in the drawings are for
illustrative purposes only and form no part of the claimed
design. The oblique lines in the drawings indicate a translu-
cent material.

1 Claim, 5 Drawing Sheets

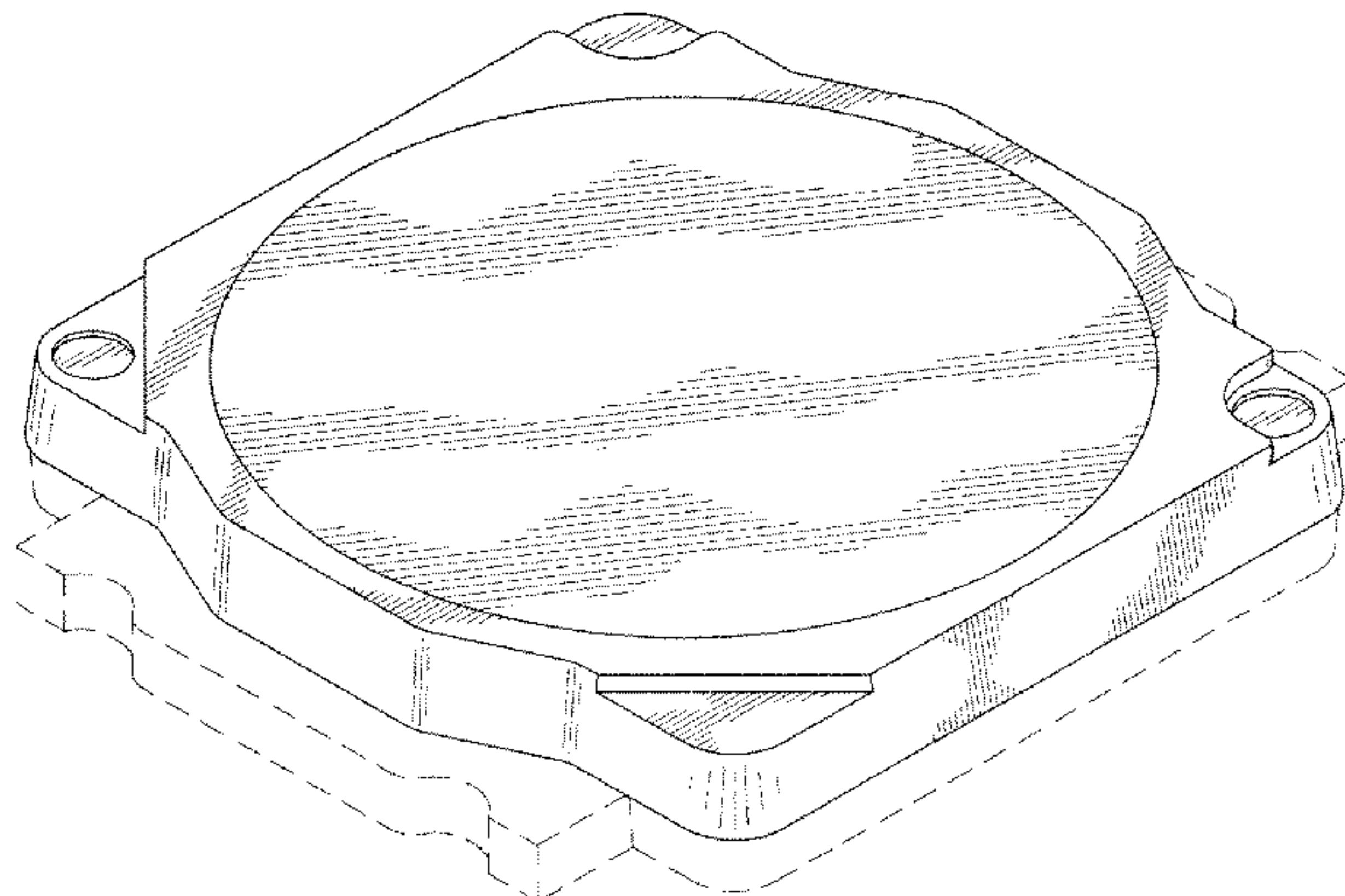
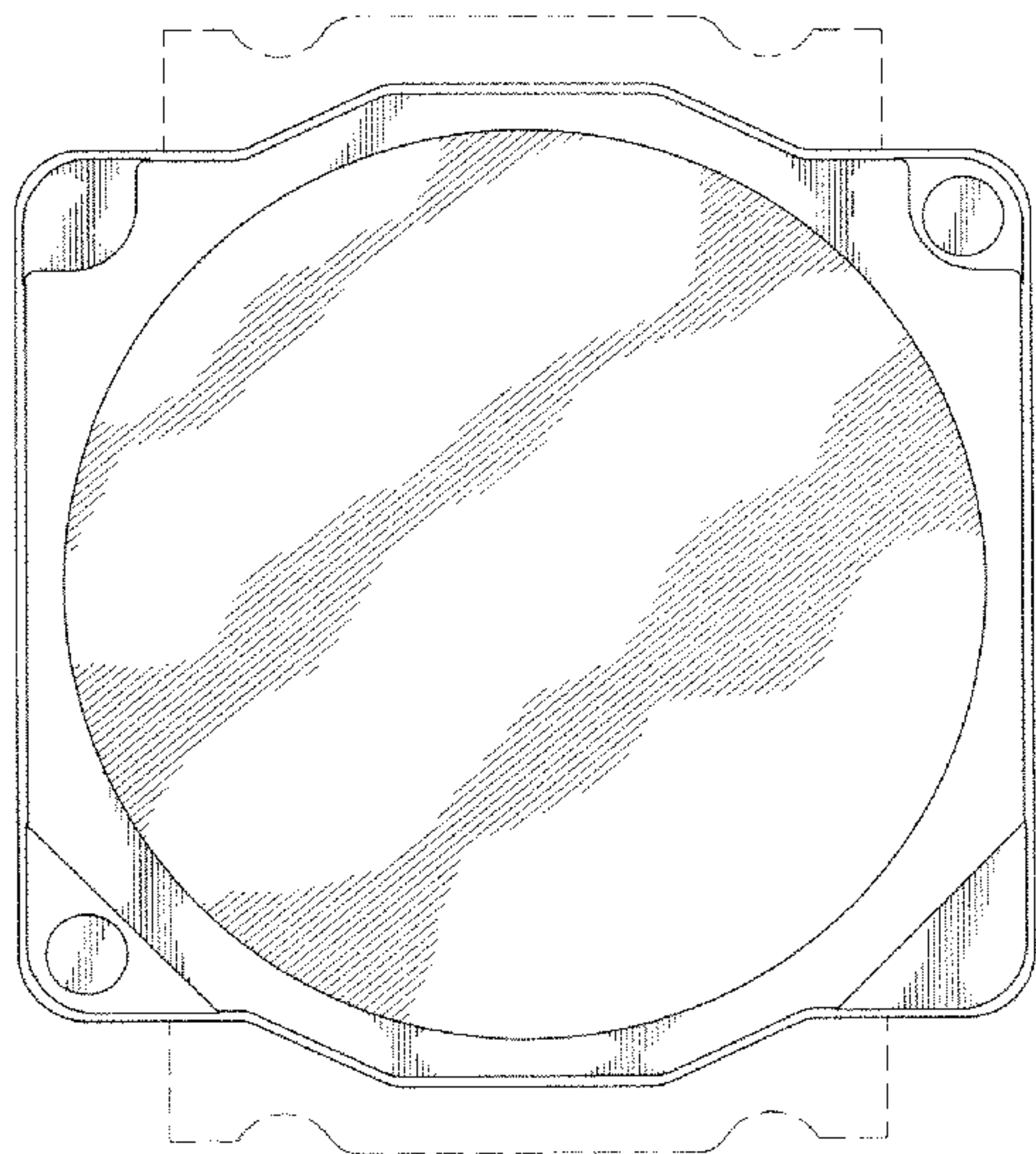


Fig. 1

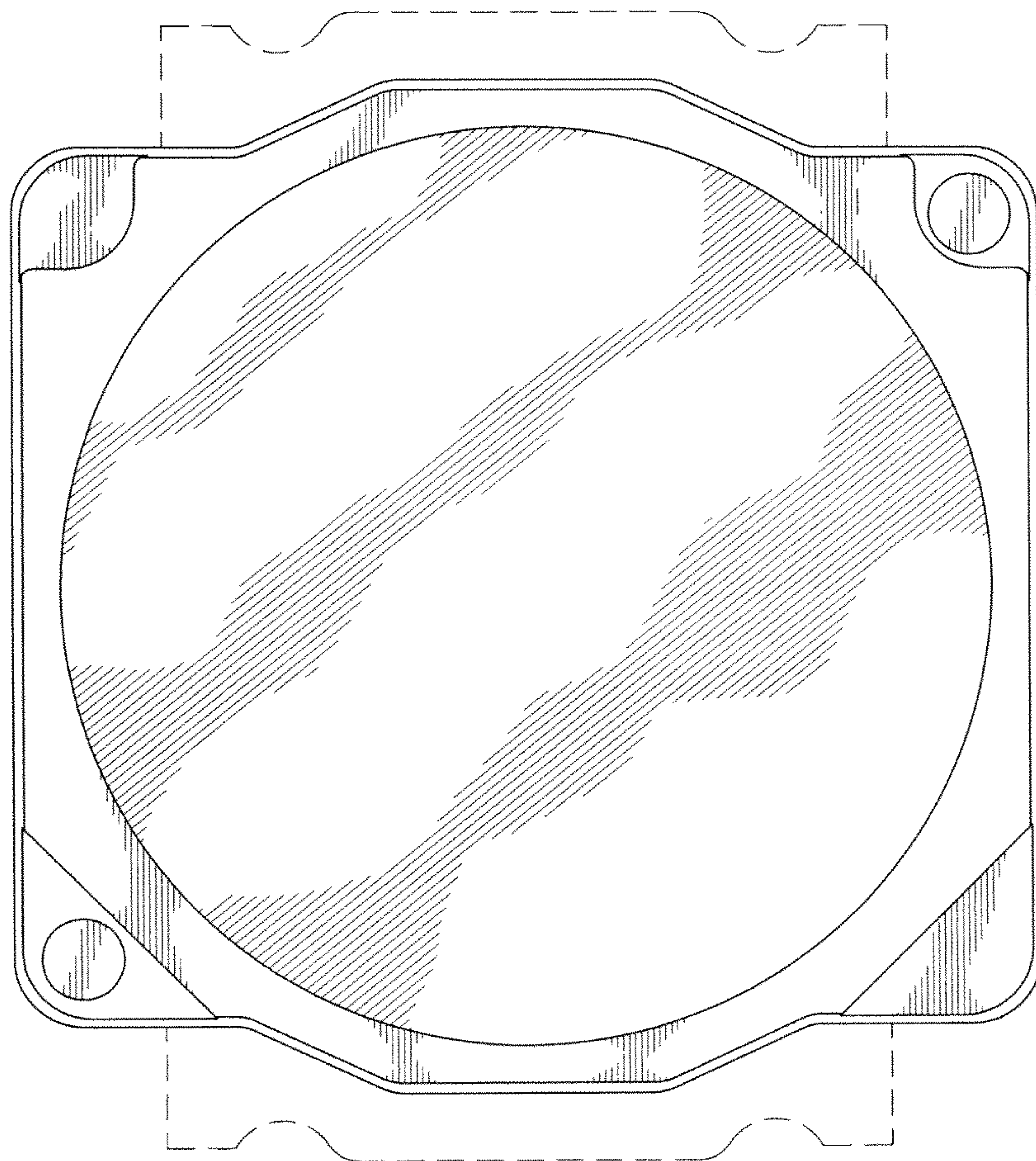


Fig. 2

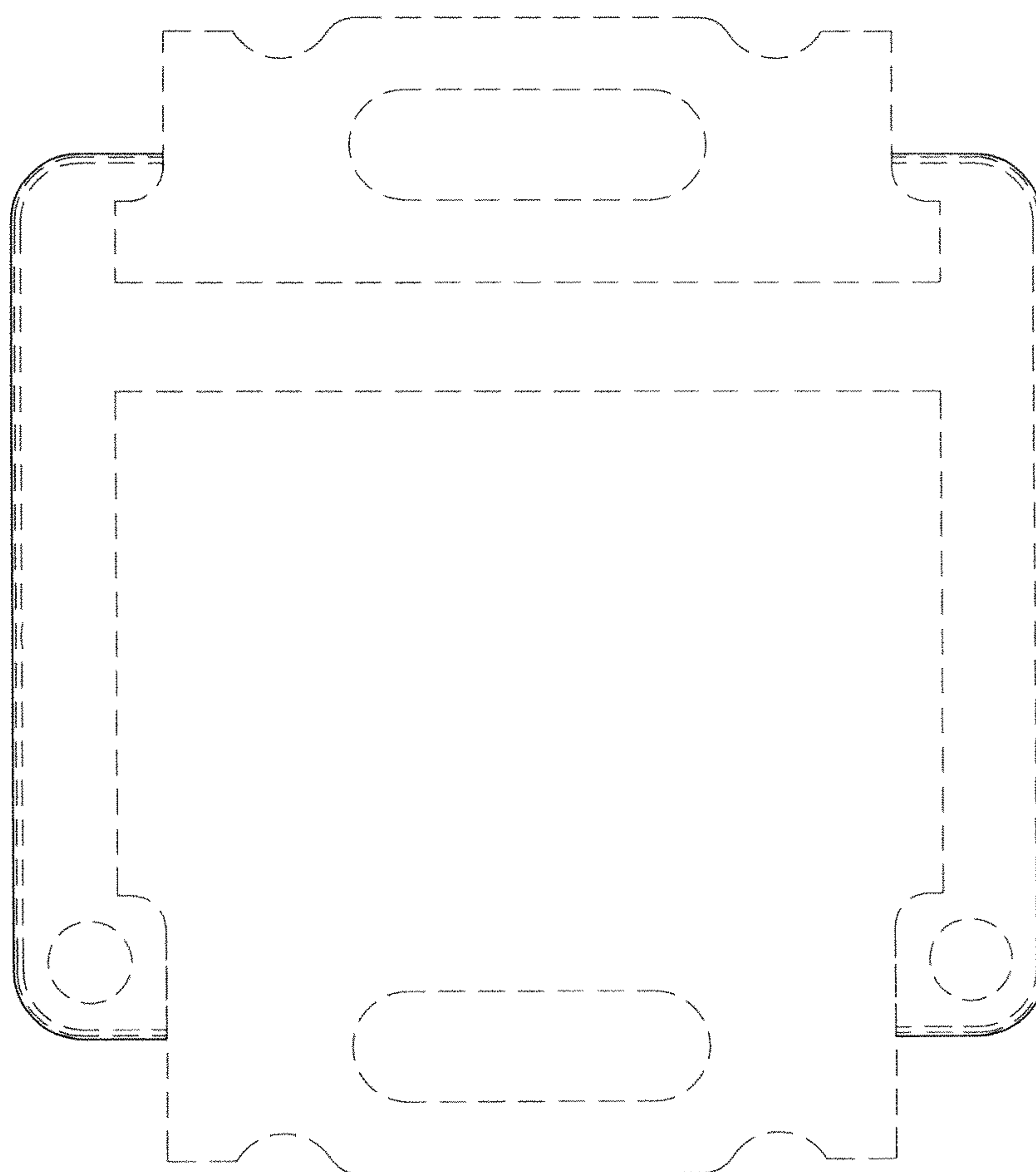


Fig. 3

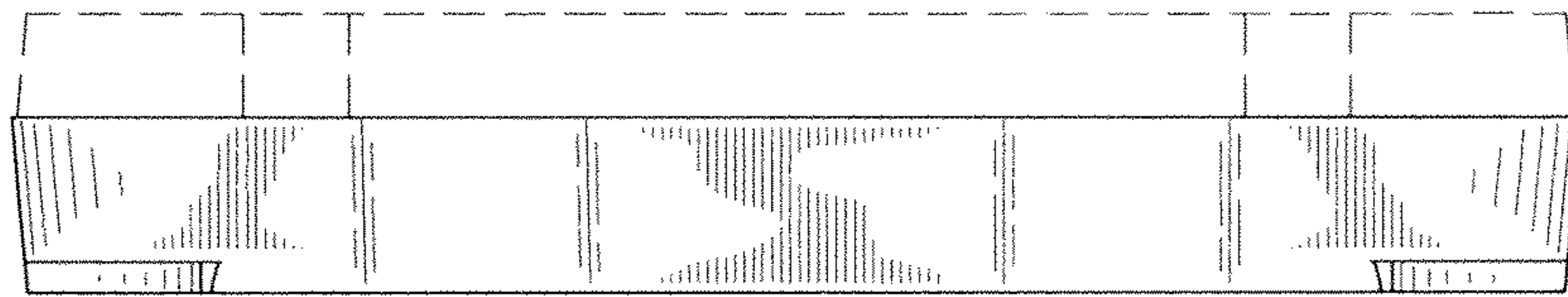


Fig. 4

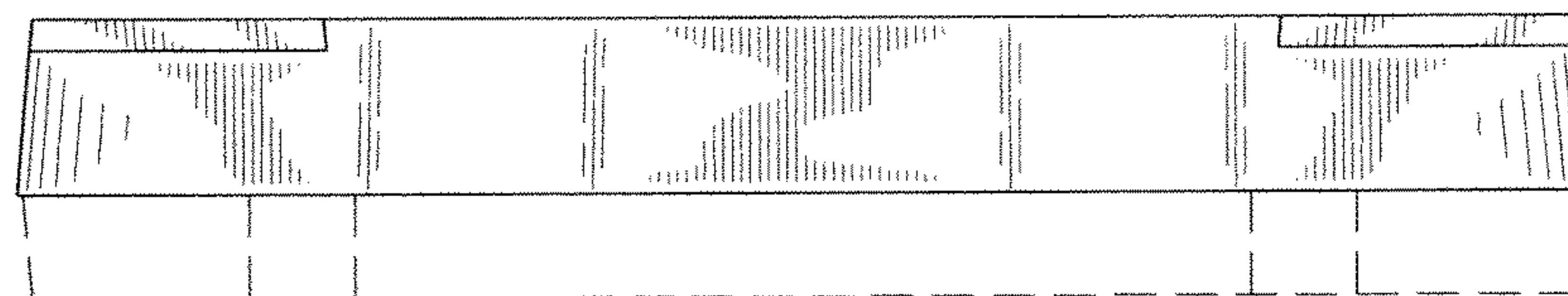


Fig. 5

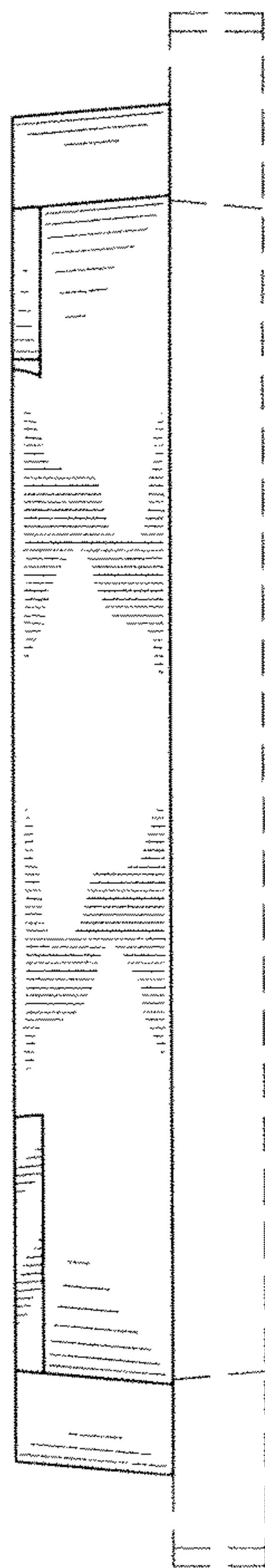


Fig. 6

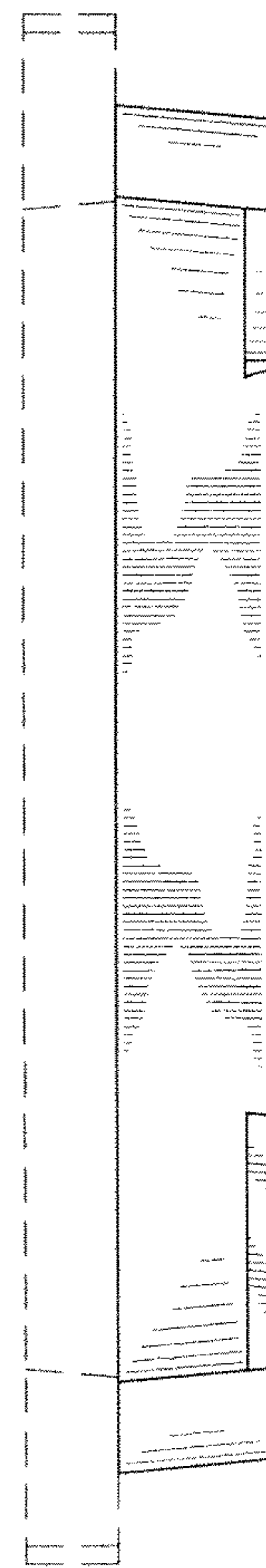


Fig. 7

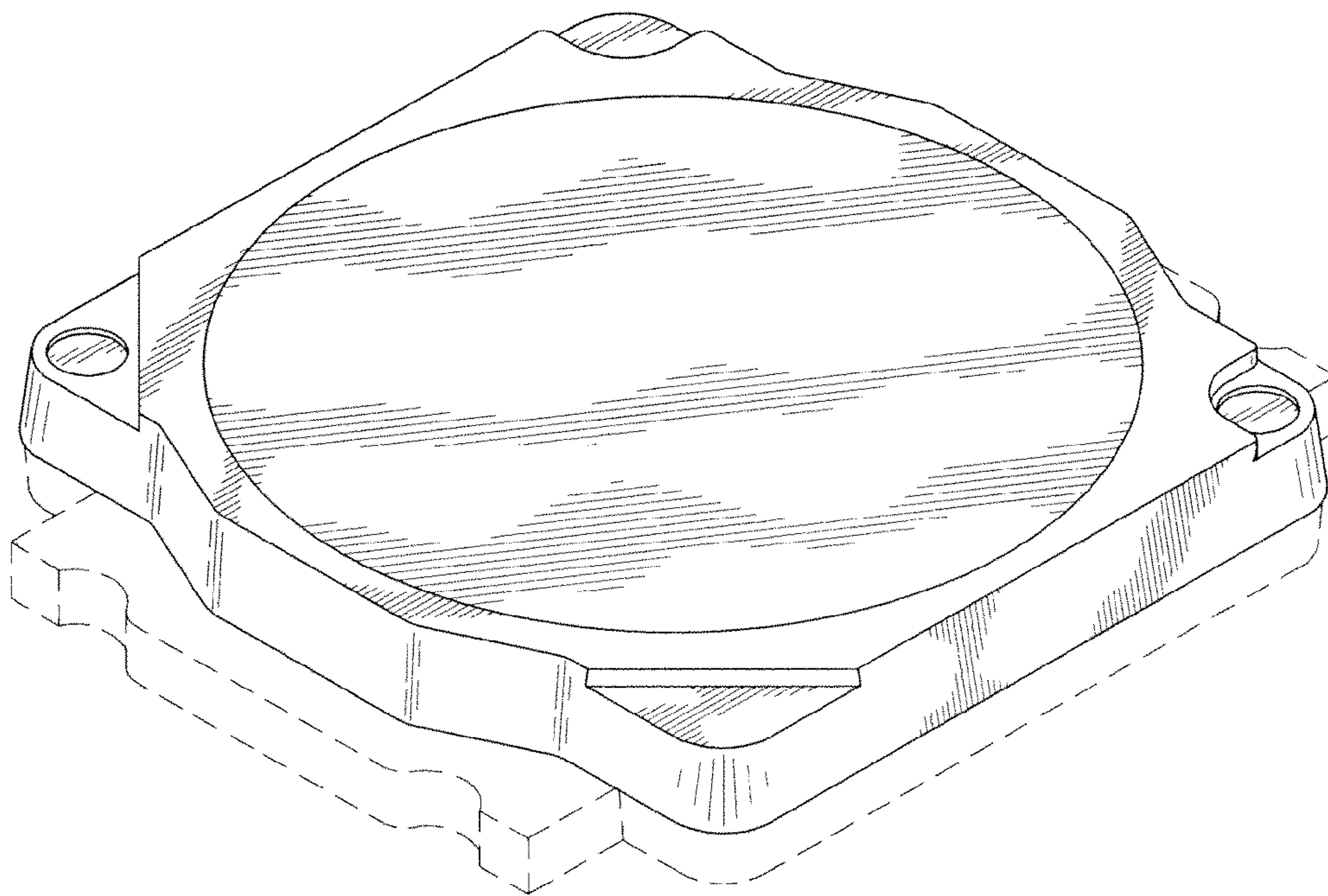
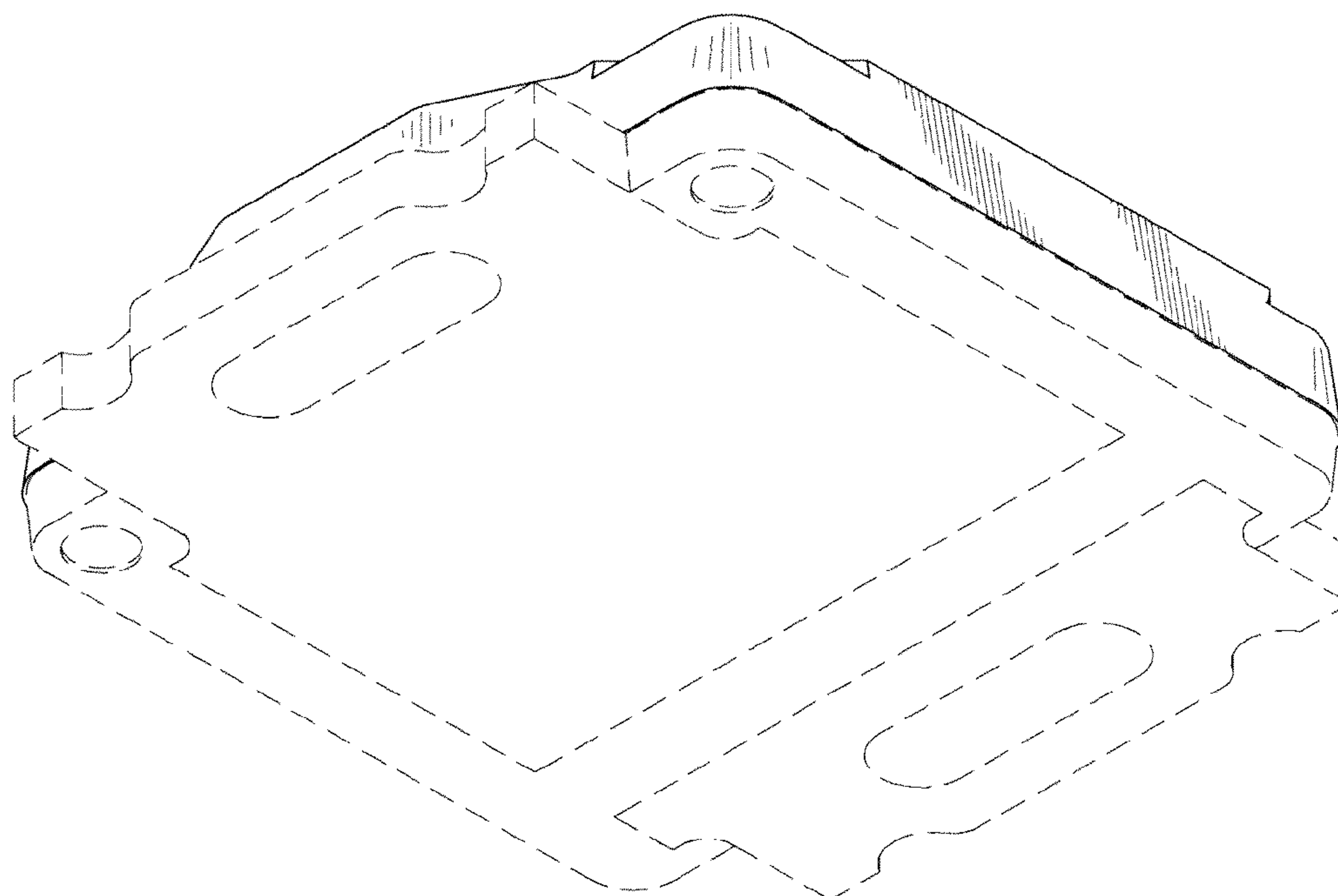


Fig. 8



UNITED STATES PATENT AND TRADEMARK OFFICE
CERTIFICATE OF CORRECTION

PATENT NO. : D703,159 S
APPLICATION NO. : 29/371728
DATED : April 22, 2014
INVENTOR(S) : Eiji Tokunaga

Page 1 of 1

It is certified that error appears in the above-identified patent and that said Letters Patent is hereby corrected as shown below:

On the title page, item (56) Foreign Patent Documents insert

-- JP D1346959 12/2008 --

Signed and Sealed this
Sixteenth Day of December, 2014



Michelle K. Lee
Deputy Director of the United States Patent and Trademark Office