



US00D703158S

(12) **United States Design Patent**
Parsons et al.

(10) **Patent No.:** **US D703,158 S**
(45) **Date of Patent:** **** Apr. 22, 2014**

(54) **ELECTRONIC CONTROL ENCLOSURE**

(71) Applicant: **Rheem Manufacturing Company,**
Atlanta, GA (US)

(72) Inventors: **Michael Gibson Parsons,** Auburn, AL
(US); **Michael Wesley Branson,**
Noblesville, IN (US); **Scott Michael**
Cline, New Albany, OH (US)

(73) Assignee: **Rheem Manufacturing Company,**
Atlanta, GA (US)

(**) Term: **14 Years**

(21) Appl. No.: **29/457,800**

(22) Filed: **Jun. 13, 2013**

(51) **LOC (10) Cl.** **13-03**

(52) **U.S. Cl.**

USPC **D13/177**

(58) **Field of Classification Search**

USPC D13/152, 162, 164, 177, 184; D10/49,
D10/50, 60; D23/318, 322, 386; 122/14.2,
122/14.22, 448.1; 165/209; 174/66;
200/293, 308; 220/3.2, 3.3, 3.8;
236/44 A, 46 A, 46 R, 47, 49.3, 51, 94;
361/600, 601, 622, 641, 725, 679.01;
337/361; 700/17, 65, 83, 276

See application file for complete search history.

(56) **References Cited**

U.S. PATENT DOCUMENTS

D275,194 S * 8/1984 Walker D13/162
D315,315 S 3/1991 Stairs, Jr.
D334,542 S 4/1993 Lowe et al.
D344,684 S * 3/1994 Metz et al. D10/103
D359,458 S 6/1995 Pierret et al.
D363,060 S 10/1995 Hunger et al.
D375,908 S 11/1996 Schumaker et al.

D381,590 S * 7/1997 Thoeni et al. D10/49
D381,633 S * 7/1997 Hiyakumoto et al. D13/162
D429,699 S 8/2000 Davis et al.
D435,246 S * 12/2000 De brey et al. D13/152
6,196,467 B1 * 3/2001 Dushane et al. 236/46 R

(Continued)

Primary Examiner — Selina Sikder

(74) *Attorney, Agent, or Firm* — Haynes and Boone, LLP

(57) **CLAIM**

The ornamental design for an electronic control enclosure, as shown and described.

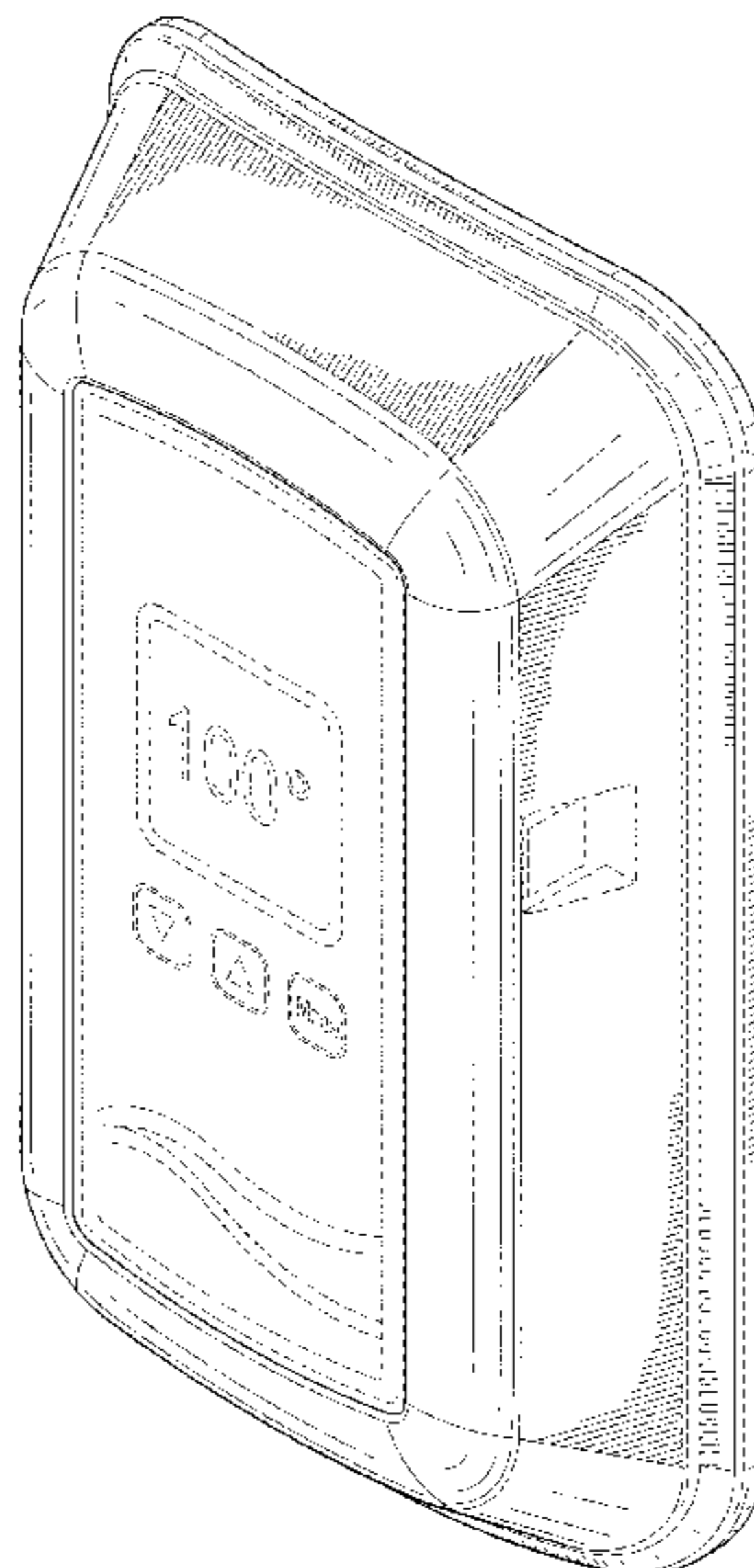
DESCRIPTION

This application is related to U.S. Design patent application Ser. No. 29/457,790, filed on even date herewith, and U.S. Design patent application Ser. No. 29/457,827, filed on even date herewith, the entire disclosures of which are incorporated herein by reference.

FIG. 1 is a perspective view of an electronic control enclosure showing our new design according to a first embodiment; FIG. 2 is a front elevational view of the first embodiment; FIG. 3 is a rear elevational view of the first embodiment; FIG. 4 is a right side elevational view of the first embodiment; FIG. 5 is a left side elevational view of the first embodiment; FIG. 6 is a top plan view of the first embodiment; FIG. 7 is a bottom plan view of the first embodiment; and, FIG. 8 is a left side elevational view of the electronic control enclosure showing our new design according to a second embodiment, the second embodiment being identical to the first embodiment except that the second embodiment has one indeterminate length as indicated in FIG. 8 it being understood that enclosure has a uniform shape and appearance through its length.

The broken lines in FIGS. 1-4 form no part of the claimed design. The area encircled by broken lines in FIG. 3 is an unclaimed area and forms no part of the claimed design.

1 Claim, 6 Drawing Sheets



(56)

References Cited

U.S. PATENT DOCUMENTS

RE37,745 E *	6/2002	Brandt et al.	122/14.2	D607,418 S	1/2010	Kleman et al.	
D458,906 S *	6/2002	Kim	D13/164	D607,843 S *	1/2010	Borax	D13/162
D490,726 S	6/2004	Eungprabhanth et al.		D608,302 S *	1/2010	Liu	D13/164
D492,262 S *	6/2004	Murray	D13/162	7,647,895 B2 *	1/2010	Donnelly et al.	122/14.21
D512,026 S	11/2005	Nurmi et al.		7,874,444 B2 *	1/2011	Ashworth	220/3.2
7,071,415 B1 *	7/2006	Shotey et al.	174/67	7,935,889 B1 *	5/2011	Cleghorn	174/66
D533,512 S	12/2006	Nakashima et al.		D652,392 S *	1/2012	Duckworth et al.	D13/162
D567,189 S	4/2008	Stiles et al.		D658,598 S *	5/2012	Ling et al.	D13/177
D571,675 S *	6/2008	Skaf et al.	D10/50	8,281,751 B2 *	10/2012	Takayama	122/14.2
D582,797 S	12/2008	Fraser et al.		8,387,892 B2 *	3/2013	Koster et al.	236/94
D583,828 S	12/2008	Li et al.		2008/0294274 A1 *	11/2008	Laberge et al.	700/83
D601,512 S *	10/2009	Valoz	D13/164	2009/0045263 A1 *	2/2009	Mueller et al.	236/51
				2010/0193593 A1 *	8/2010	Hotton et al.	236/46 A
				2012/0061480 A1 *	3/2012	Deligiannis et al.	236/51

* cited by examiner

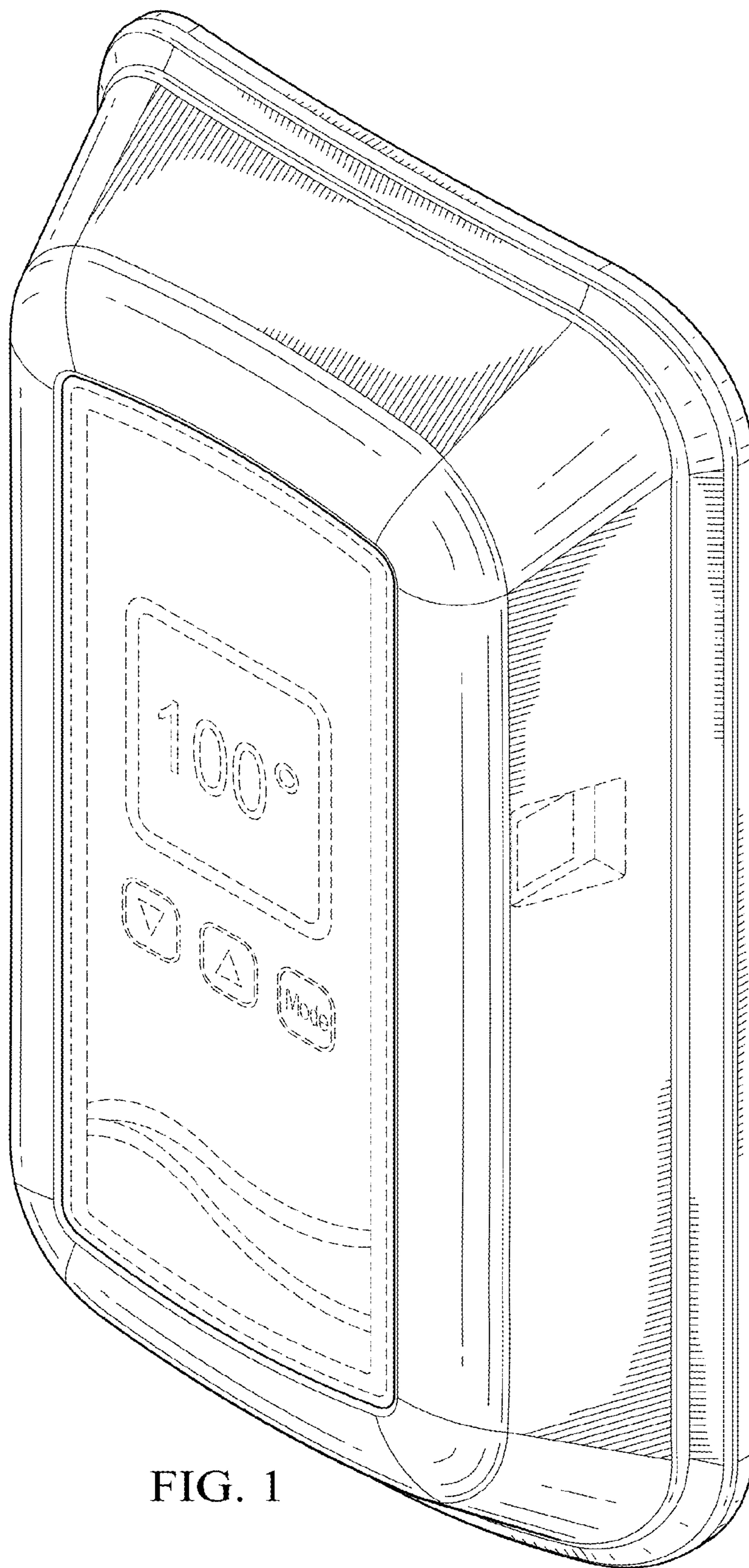


FIG. 1

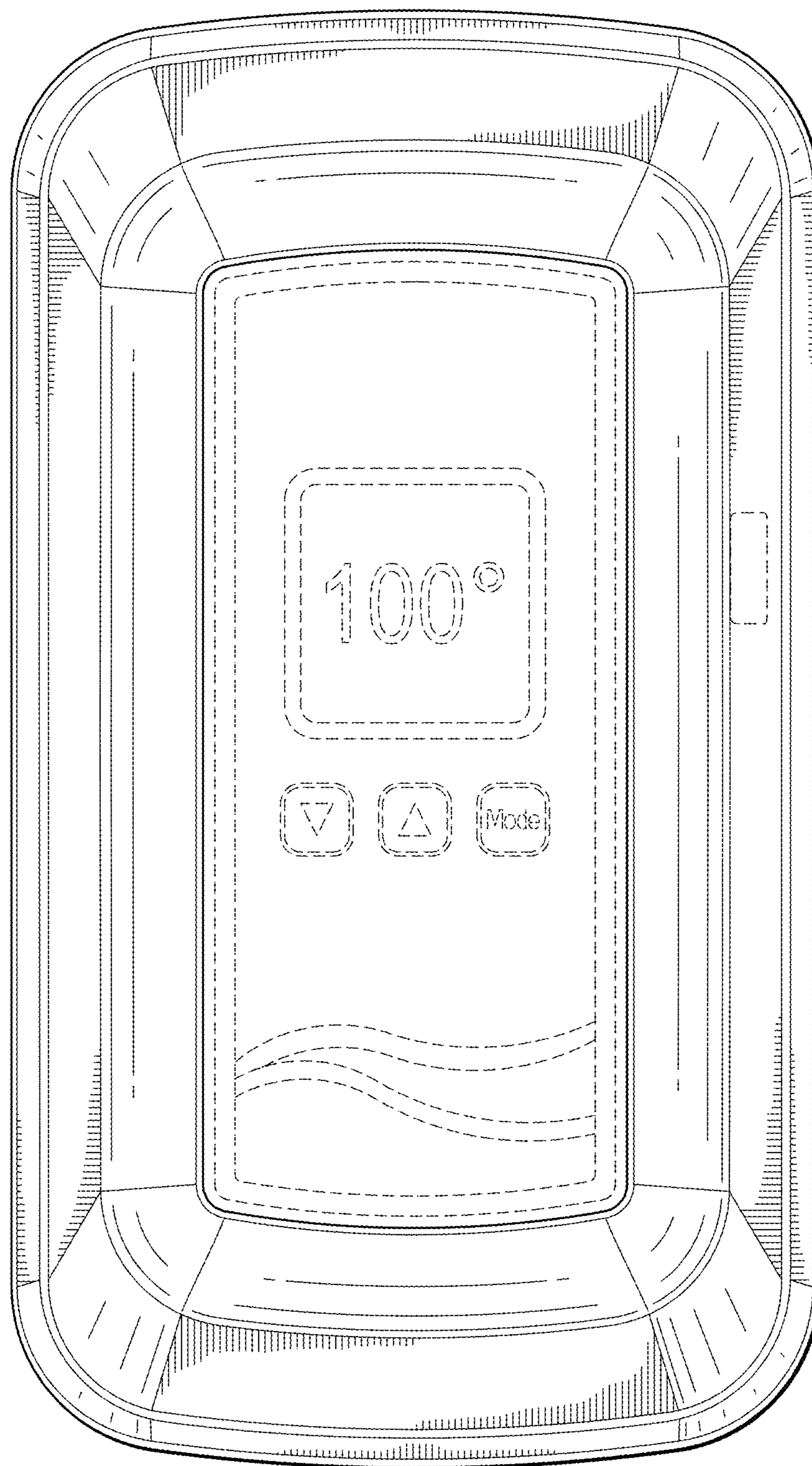


FIG. 2

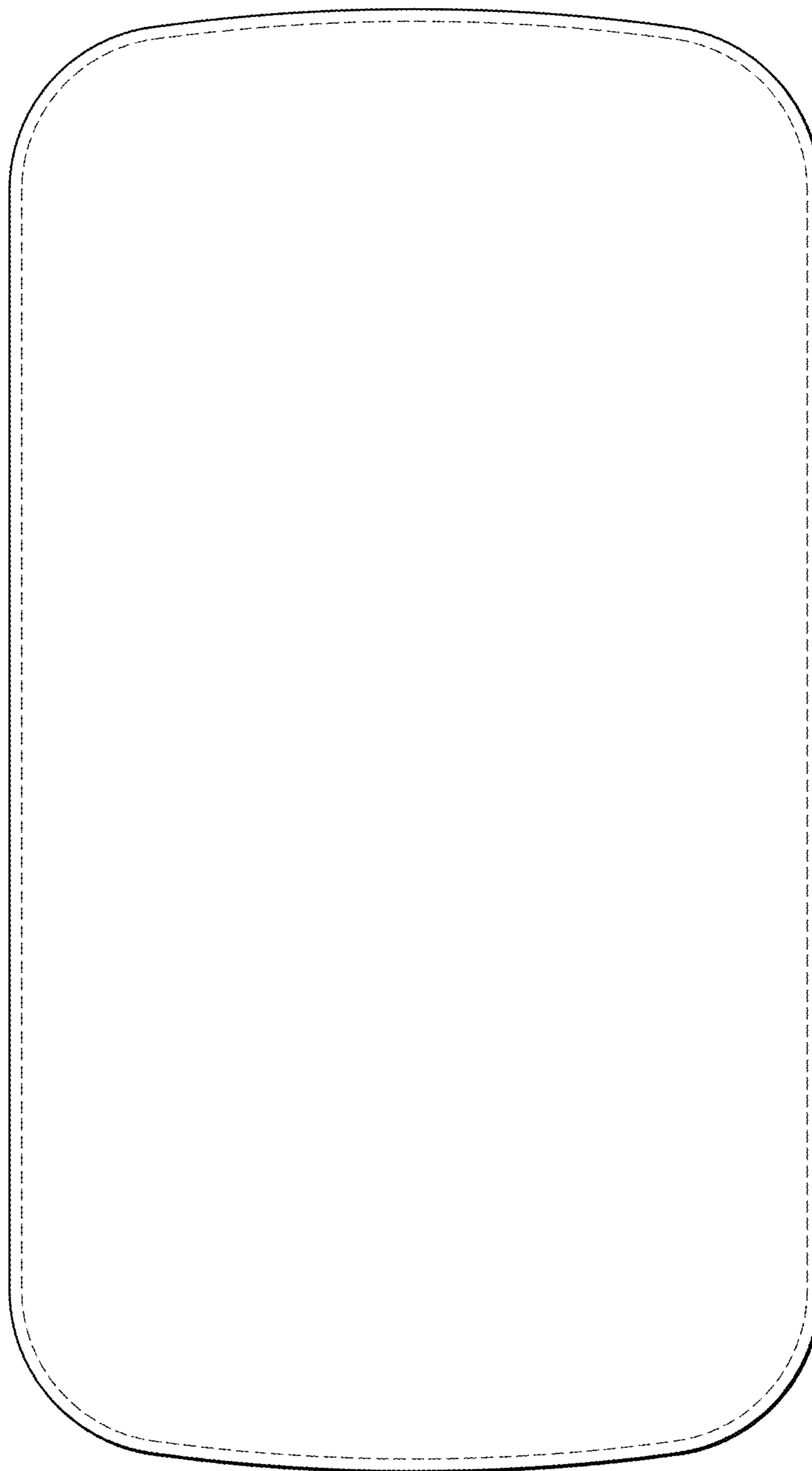


FIG. 3

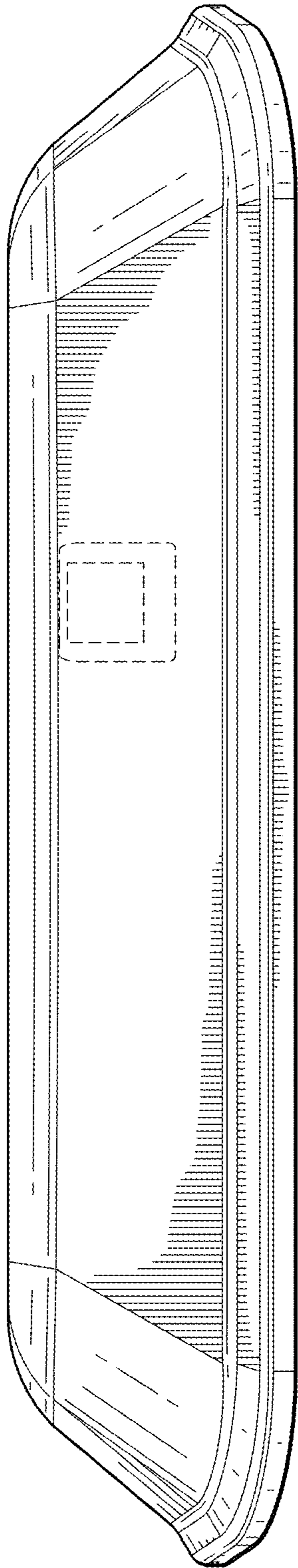


FIG. 4

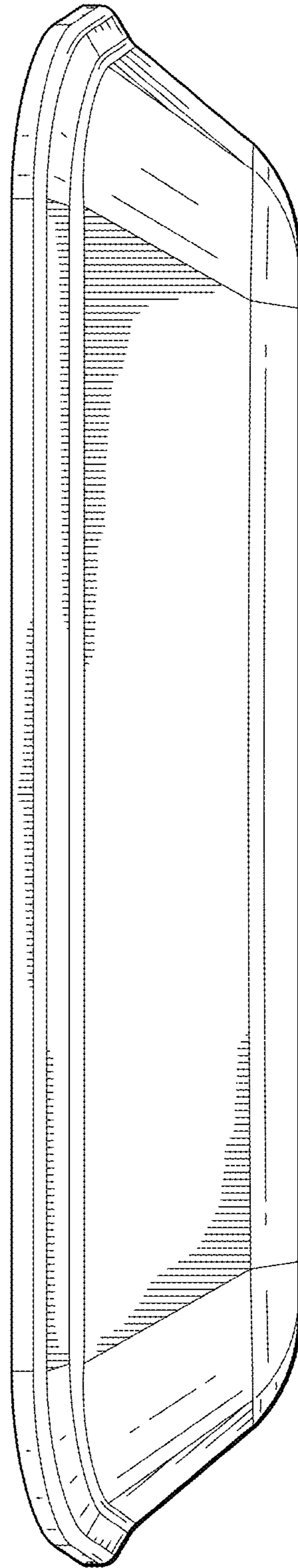


FIG. 5

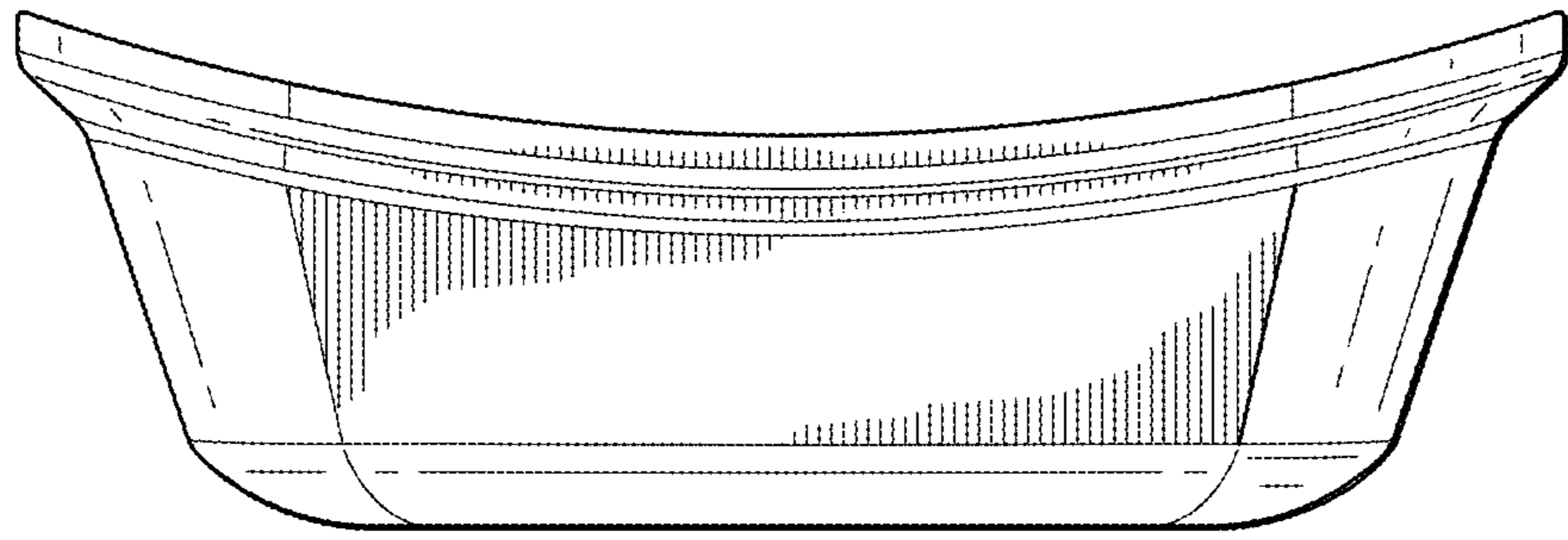


FIG. 6

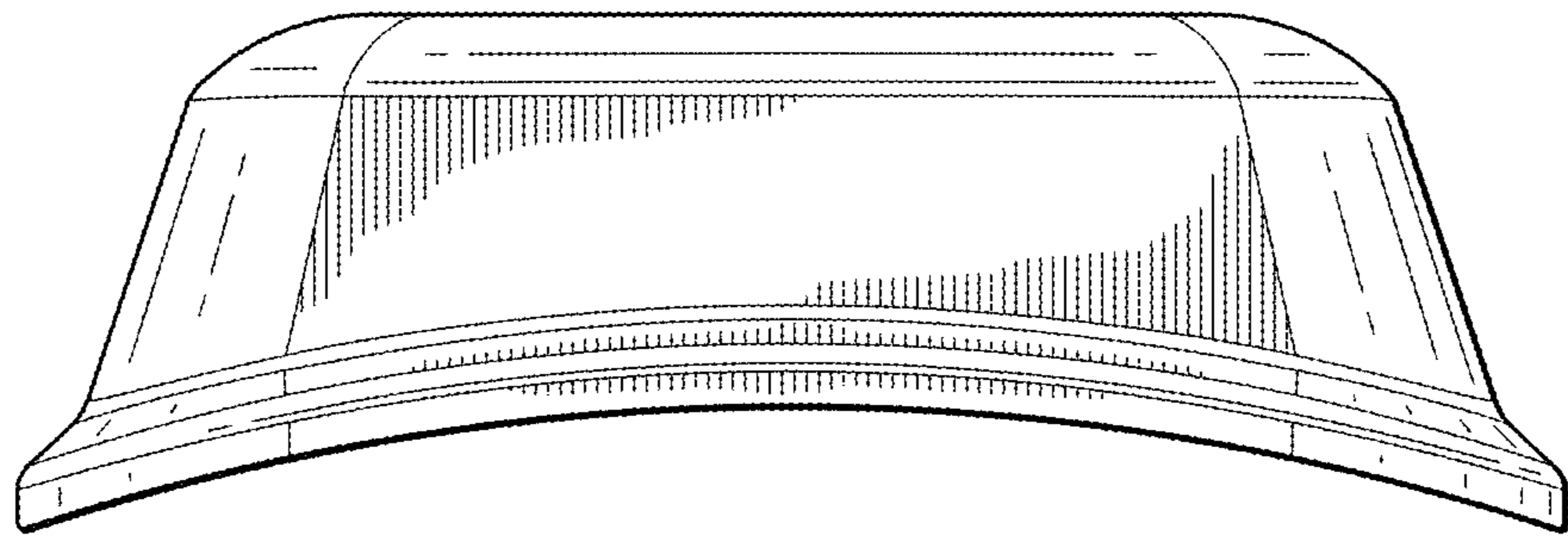


FIG. 7

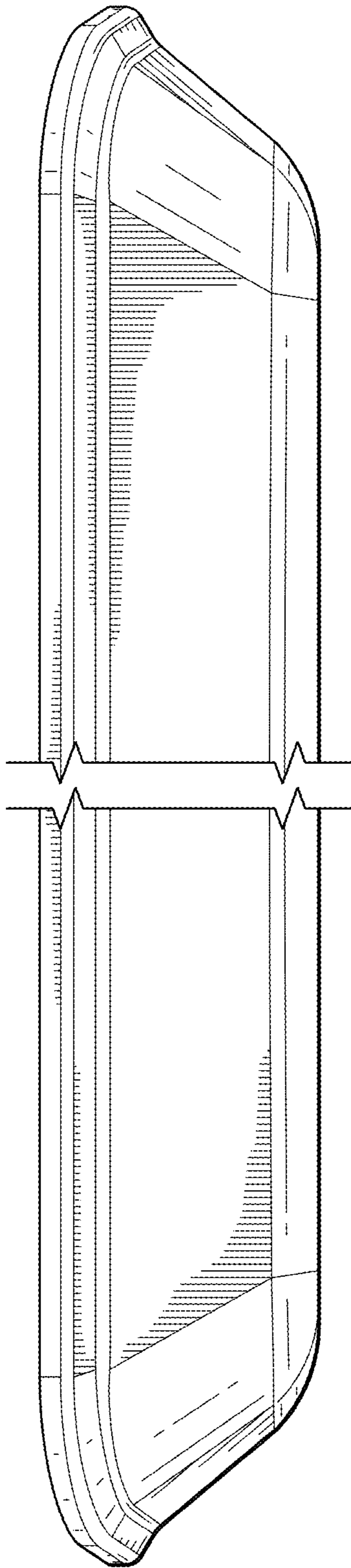


FIG. 8