



US00D703157S

(12) **United States Design Patent**
Parsons et al.

(10) **Patent No.:** **US D703,157 S**
(45) **Date of Patent:** **** Apr. 22, 2014**

- (54) **CONTROL PANEL**
- (71) Applicant: **Rheem Manufacturing Company,**
Atlanta, GA (US)
- (72) Inventors: **Michael Gibson Parsons,** Auburn, AL
(US); **Michael Wesley Branson,**
Noblesville, IN (US); **Scott Michael**
Cline, New Albany, OH (US)
- (73) Assignee: **Rheem Manufacturing Company,**
Atlanta, GA (US)
- (**) Term: **14 Years**
- (21) Appl. No.: **29/457,827**
- (22) Filed: **Jun. 13, 2013**
- (51) **LOC (10) Cl.** **13-03**
- (52) **U.S. Cl.**
USPC **D13/164**
- (58) **Field of Classification Search**
USPC D13/162, 164, 177, 184; D10/49, 50,
D10/60; D23/318, 322, 386; 122/14.2,
122/14.22, 448.1; 165/209; 174/66;
200/293, 308; 220/3.2, 3.3, 3.8;
361/600, 601, 622, 641, 725, 679.01;
337/361; 700/17, 65, 83, 276
See application file for complete search history.

RE37,745	E *	6/2002	Brandt et al.	122/14.2
D458,906	S *	6/2002	Kim	D13/164
D492,262	S *	6/2004	Murray	D13/162
7,071,415	B1 *	7/2006	Shotey et al.	174/67
D571,675	S *	6/2008	Skaf et al.	D10/50
D601,512	S *	10/2009	Valoz	D13/164
D607,843	S *	1/2010	Borax	D13/162
D608,302	S *	1/2010	Liu	D13/164
7,647,895	B2 *	1/2010	Donnelly et al.	122/14.21
7,874,444	B2 *	1/2011	Ashworth	220/3.2
7,935,889	B1 *	5/2011	Cleghorn	174/66
D652,392	S *	1/2012	Duckworth et al.	D13/162
D658,598	S *	5/2012	Ling et al.	D13/177
8,281,751	B2 *	10/2012	Takayama	122/14.2
8,387,892	B2 *	3/2013	Koster et al.	236/94
2008/0294274	A1 *	11/2008	Laberge et al.	700/83
2009/0045263	A1 *	2/2009	Mueller et al.	236/51
2010/0193593	A1 *	8/2010	Hotton et al.	236/46 A
2012/0061480	A1 *	3/2012	Deligiannis et al.	236/51

* cited by examiner

Primary Examiner — Selina Sikder

(74) *Attorney, Agent, or Firm* — Haynes and Boone, LLP

(57) **CLAIM**

The ornamental design for a control panel, as shown and described.

DESCRIPTION

This application is related to U.S. Design patent application Ser. No. 29/457,790, filed on even date herewith, and U.S. Design patent application Ser. No. 29/457,800, filed on even date herewith, the entire disclosures of which are incorporated herein by reference.

FIG. 1 is a perspective view of a control panel showing our new design; and,

FIG. 2 is a front elevational view thereof.

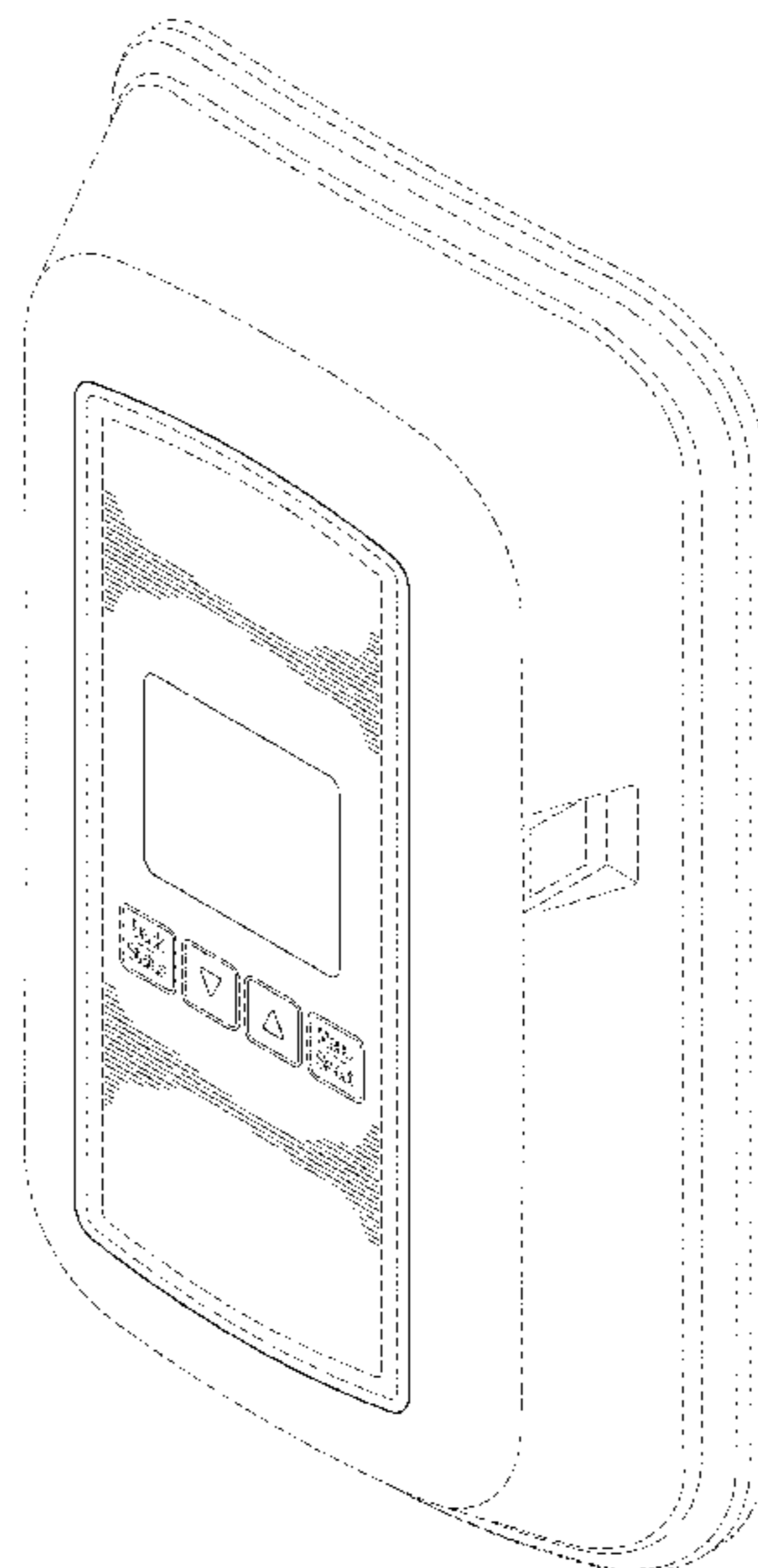
The broken lines in FIGS. 1 and 2 form no part of the claimed design.

1 Claim, 2 Drawing Sheets

(56) **References Cited**

U.S. PATENT DOCUMENTS

D275,194	S *	8/1984	Walker	D13/162
D344,684	S *	3/1994	Metz et al.	D10/103
D381,590	S *	7/1997	Thoeni et al.	D10/49
D381,633	S *	7/1997	Hiyakumoto et al.	D13/162
D435,246	S *	12/2000	De brey et al.	D13/152
6,196,467	B1 *	3/2001	Dushane et al.	236/46 R



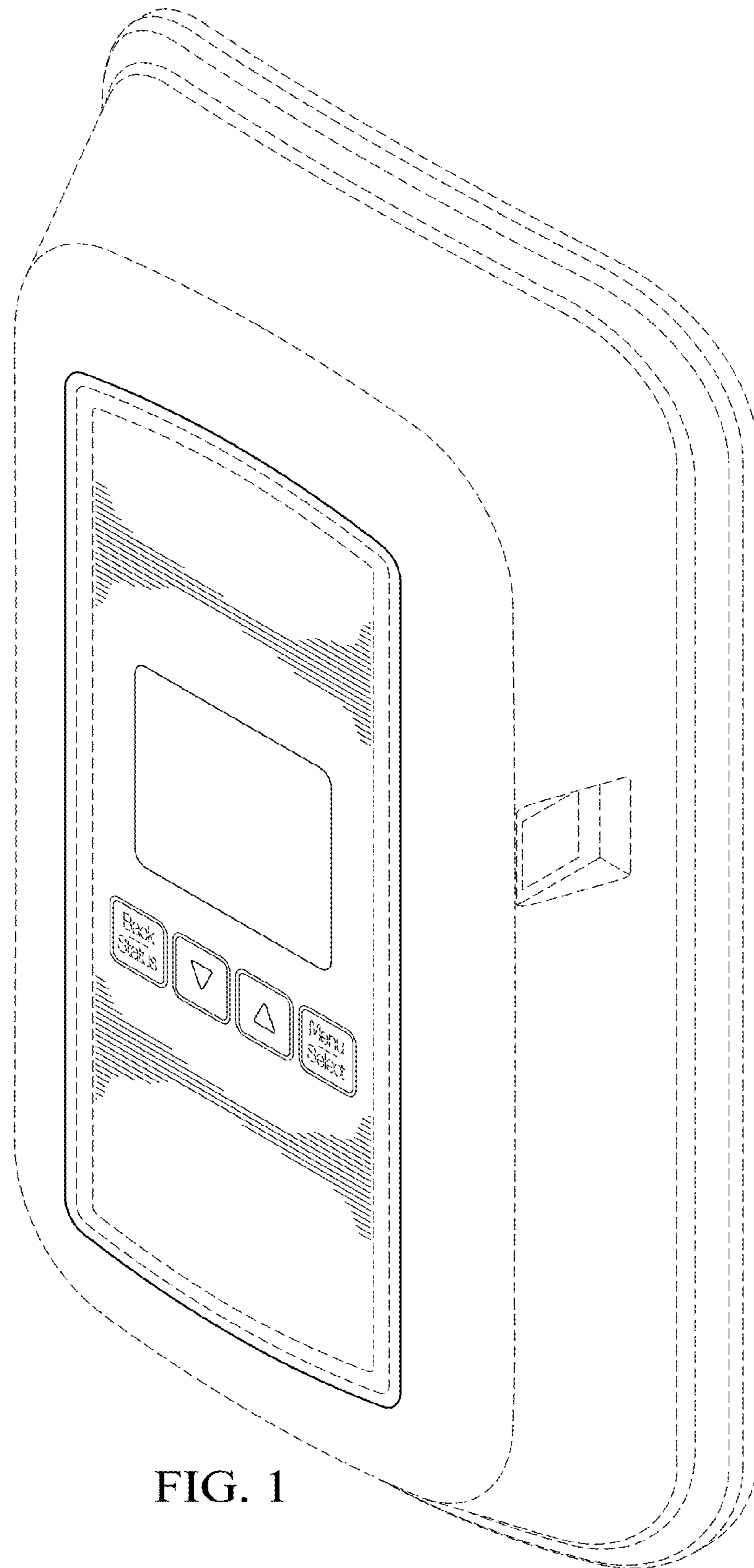


FIG. 1

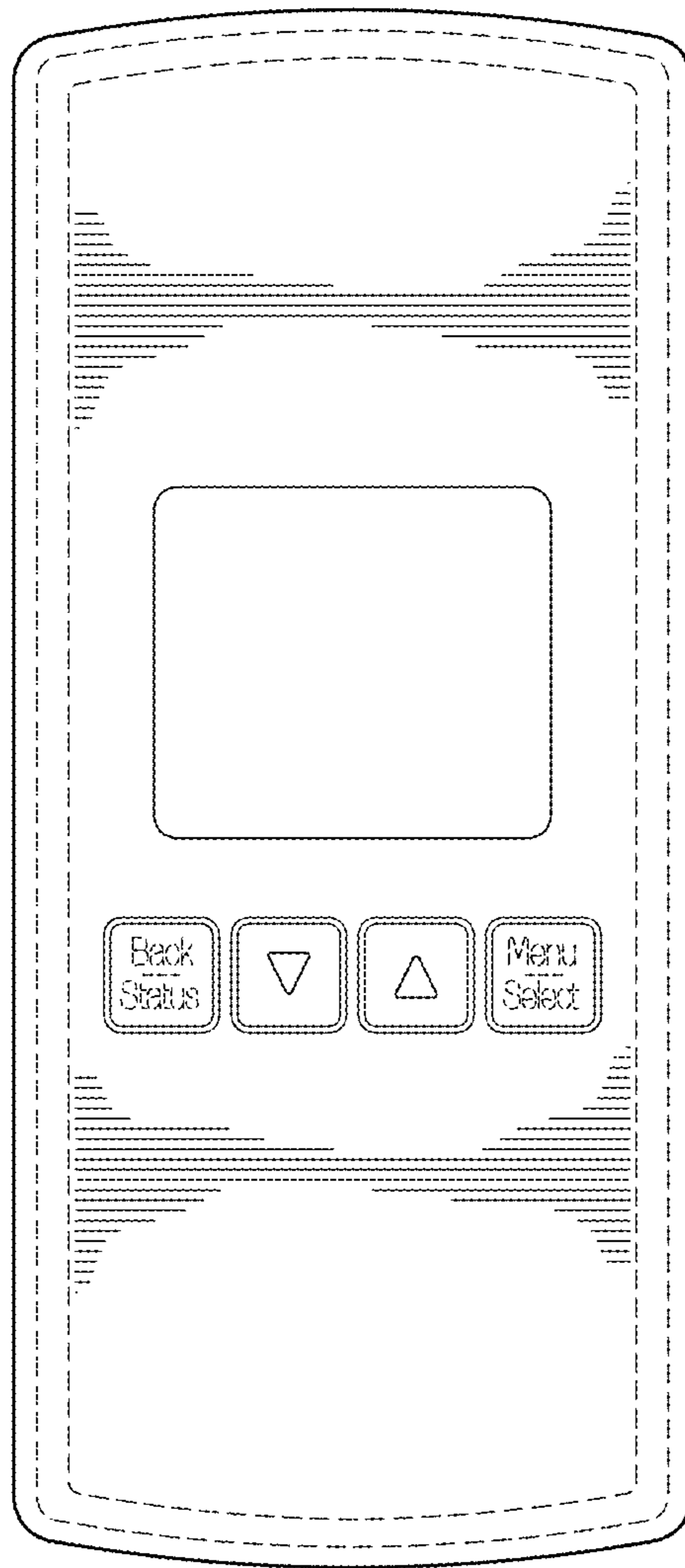


FIG. 2