



US00D703156S

(12) **United States Design Patent**  
**Parsons et al.**

(10) **Patent No.:** **US D703,156 S**  
(45) **Date of Patent:** **\*\* Apr. 22, 2014**

(54) **ELECTRONIC CONTROL DEVICE**

(71) Applicant: **Rheem Manufacturing Company,**  
Atlanta, GA (US)

(72) Inventors: **Michael Gibson Parsons,** Auburn, AL  
(US); **Michael Wesley Branson,**  
Noblesville, IN (US); **Scott Michael**  
**Cline,** New Albany, OH (US)

(73) Assignee: **Rheem Manufacturing Company,**  
Atlanta, GA (US)

(\*\*) Term: **14 Years**

(21) Appl. No.: **29/457,790**

(22) Filed: **Jun. 13, 2013**

(51) **LOC (10) Cl.** ..... **13-03**

(52) **U.S. Cl.**  
USPC ..... **D13/164**

(58) **Field of Classification Search**  
USPC ..... D13/162, 164, 177, 184; D10/49, 50,  
D10/60; D23/318, 322, 386; 122/14.2,  
122/14.22, 448.1; 165/209; 174/66;  
200/293, 308; 220/3.2, 3.3, 3.8;  
236/44 A, 46 A, 46 R, 47, 49.3, 51, 94;  
361/600, 601, 622, 641, 725, 679.01;  
337/361; 700/17, 65, 83, 276

See application file for complete search history.

(56) **References Cited**

**U.S. PATENT DOCUMENTS**

D275,194 S *	8/1984	Walker	.....	D13/162
D315,315 S	3/1991	Stairs, Jr.		
D334,542 S	4/1993	Lowe et al.		
D344,684 S *	3/1994	Metz et al.	.....	D10/103
D359,458 S	6/1995	Pierret et al.		
D363,060 S	10/1995	Hunger et al.		
D375,908 S	11/1996	Schumaker et al.		
D381,590 S *	7/1997	Thoeni et al.	.....	D10/49

D381,633 S *	7/1997	Hiyakumoto et al.	.....	D13/162
D429,699 S	8/2000	Davis et al.		
D435,246 S *	12/2000	De brey et al.	.....	D13/152
6,196,467 B1 *	3/2001	Dushane et al.	.....	236/46 R
RE37,745 E *	6/2002	Brandt et al.	.....	122/14.2
D458,906 S *	6/2002	Kim	.....	D13/164
D490,726 S	6/2004	Eungprabhanth et al.		
D492,262 S *	6/2004	Murray	.....	D13/162
D512,026 S	11/2005	Nurmi et al.		
7,071,415 B1 *	7/2006	Shotey et al.	.....	174/67
D533,512 S	12/2006	Nakashima et al.		
D567,189 S	4/2008	Stiles et al.		
D571,675 S *	6/2008	Skaf et al.	.....	D10/50
D582,797 S	12/2008	Fraser et al.		
D583,828 S	12/2008	Li et al.		
D601,512 S *	10/2009	Valoz	.....	D13/164

(Continued)

*Primary Examiner* — Selina Sikder

(74) *Attorney, Agent, or Firm* — Haynes and Boone, LLP

(57) **CLAIM**

The ornamental design for an electronic control device, as shown and described.

**DESCRIPTION**

This application is related to U.S. Design patent application Ser. No. 29/457,800, filed on even date herewith, and U.S. Design patent application Ser. No. 29/457,827, filed on even date herewith, the entire disclosures of which are incorporated herein by reference.

FIG. 1 is a perspective view of an electronic control device showing our new design;

FIG. 2 is a front elevational view thereof;

FIG. 3 is a rear elevational view thereof;

FIG. 4 is a right side elevational view thereof;

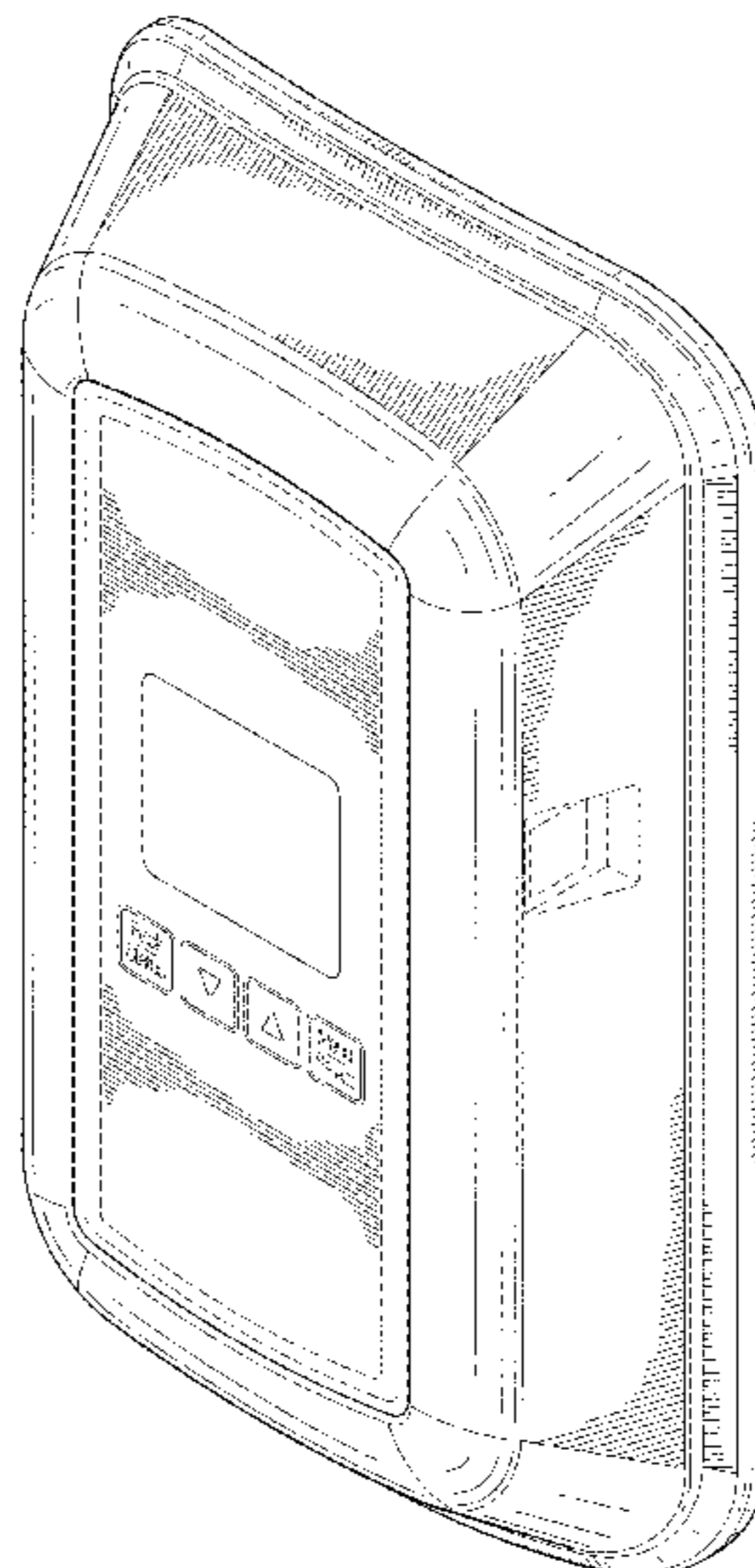
FIG. 5 is a left side elevational view thereof;

FIG. 6 is a top plan view thereof; and,

FIG. 7 is a bottom plan view thereof.

The broken lines in FIGS. 1-4 form no part of the claimed design. The area encircled by broken lines in FIG. 3 is an unclaimed area and forms no part of the claimed design.

**1 Claim, 5 Drawing Sheets**



(56)

**References Cited**

U.S. PATENT DOCUMENTS

D607,418 S 1/2010 Kleman et al.  
D607,843 S \* 1/2010 Borax ..... D13/162  
D608,302 S \* 1/2010 Liu ..... D13/164  
7,647,895 B2 \* 1/2010 Donnelly et al. .... 122/14.21  
7,874,444 B2 \* 1/2011 Ashworth ..... 220/3.2  
7,935,889 B1 \* 5/2011 Cleghorn ..... 174/66

D652,392 S \* 1/2012 Duckworth et al. .... D13/162  
D658,598 S \* 5/2012 Ling et al. .... D13/177  
8,281,751 B2 \* 10/2012 Takayama ..... 122/14.2  
8,387,892 B2 \* 3/2013 Koster et al. .... 236/94  
2008/0294274 A1 \* 11/2008 Laberge et al. .... 700/83  
2009/0045263 A1 \* 2/2009 Mueller et al. .... 236/51  
2010/0193593 A1 \* 8/2010 Hotton et al. .... 236/46 A  
2012/0061480 A1 \* 3/2012 Deligiannis et al. .... 236/51

\* cited by examiner

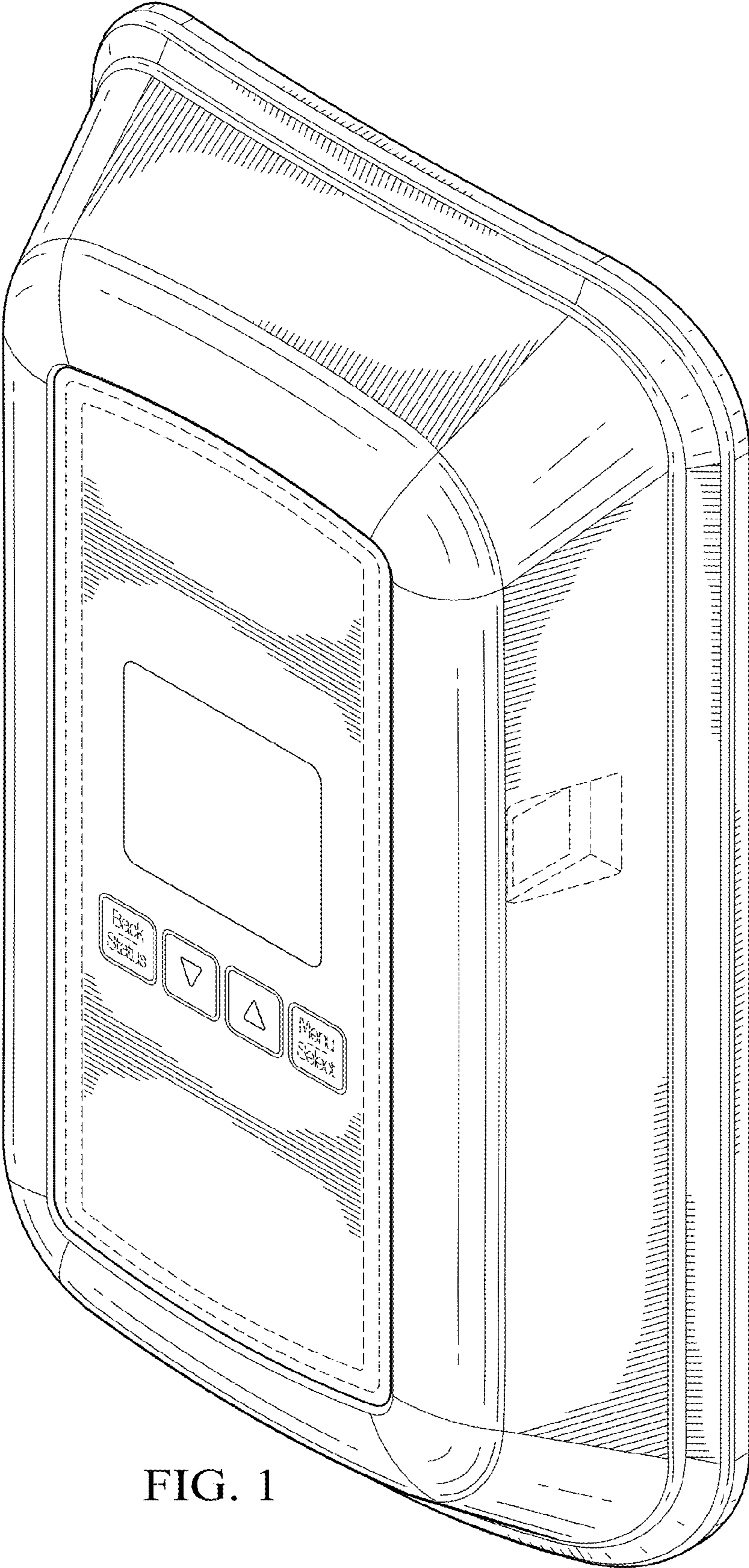


FIG. 1

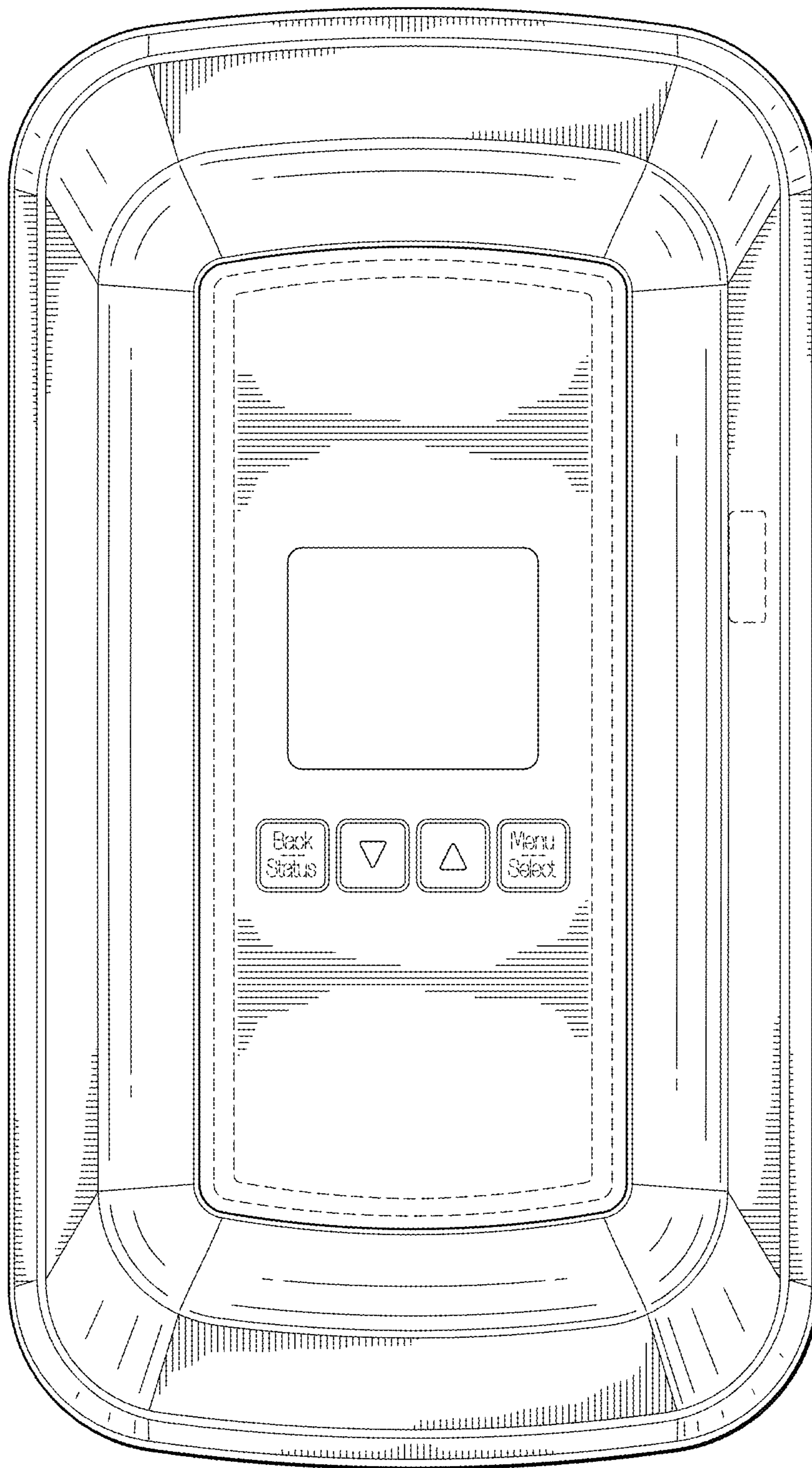


FIG. 2

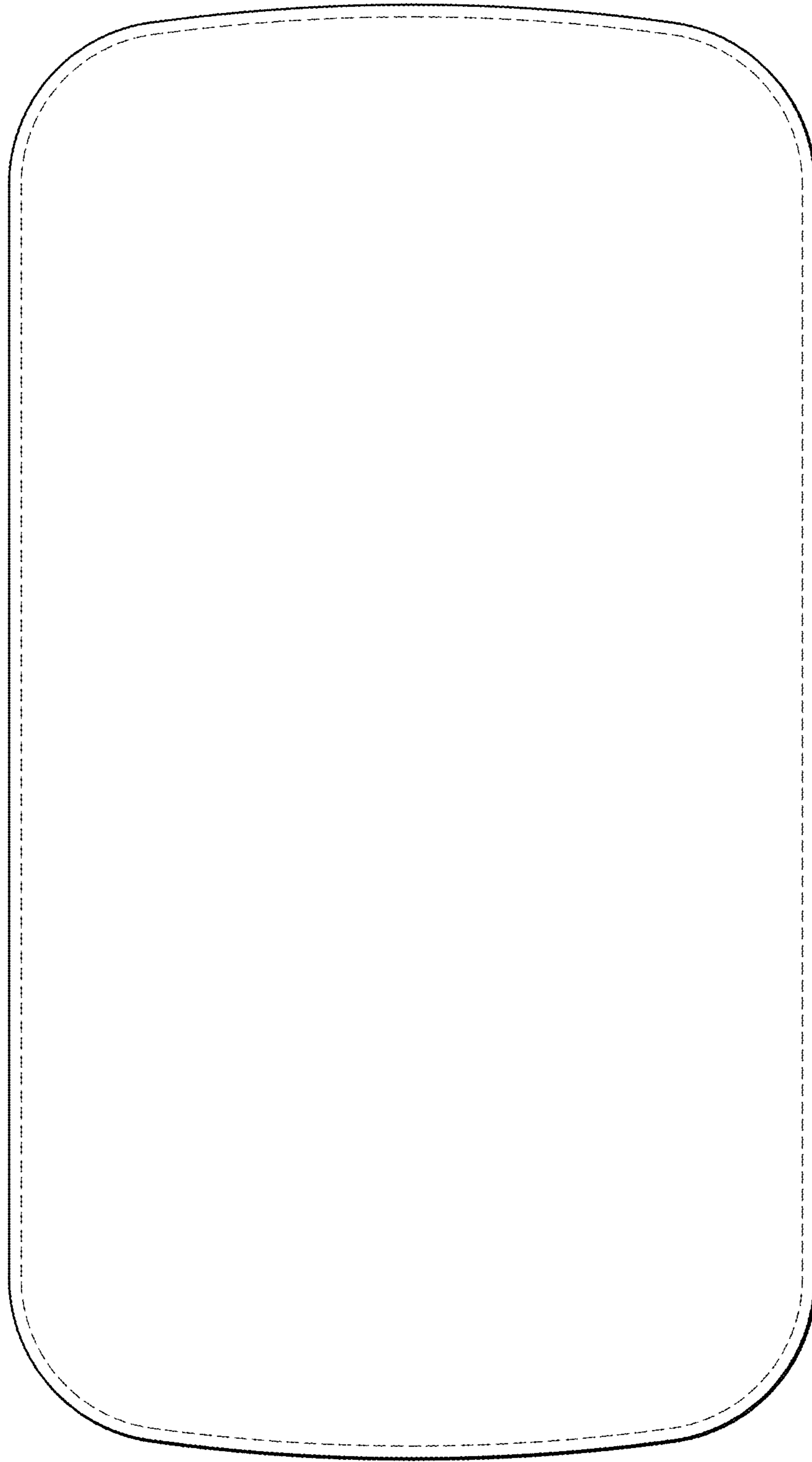


FIG. 3

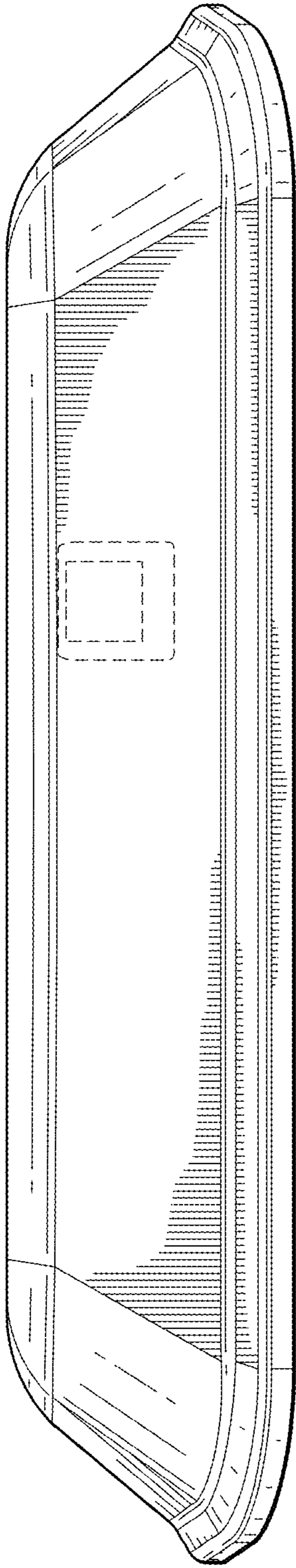


FIG. 4

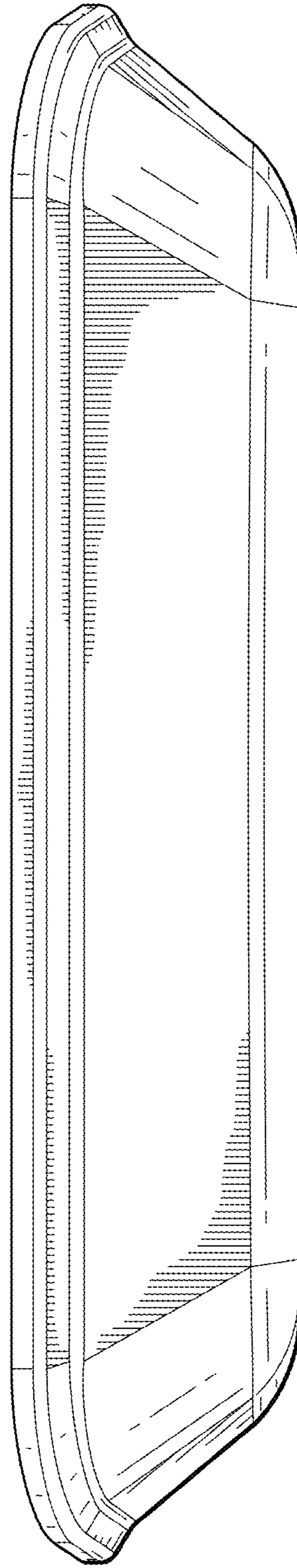


FIG. 5

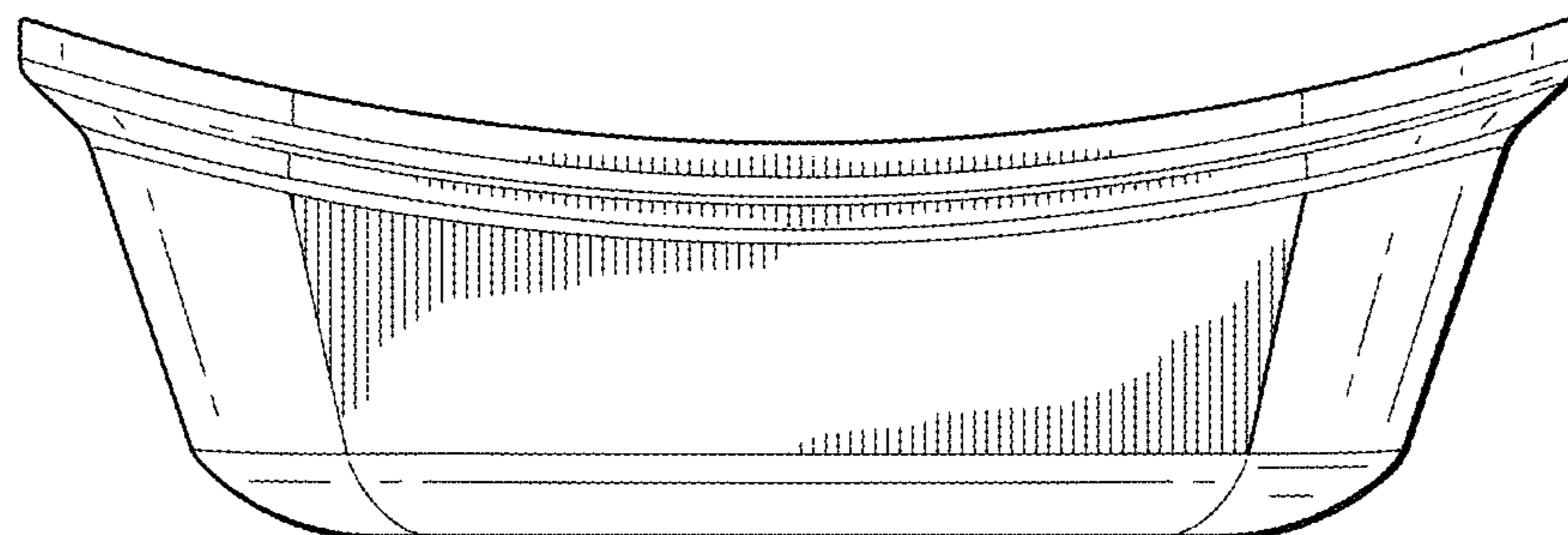


FIG. 6

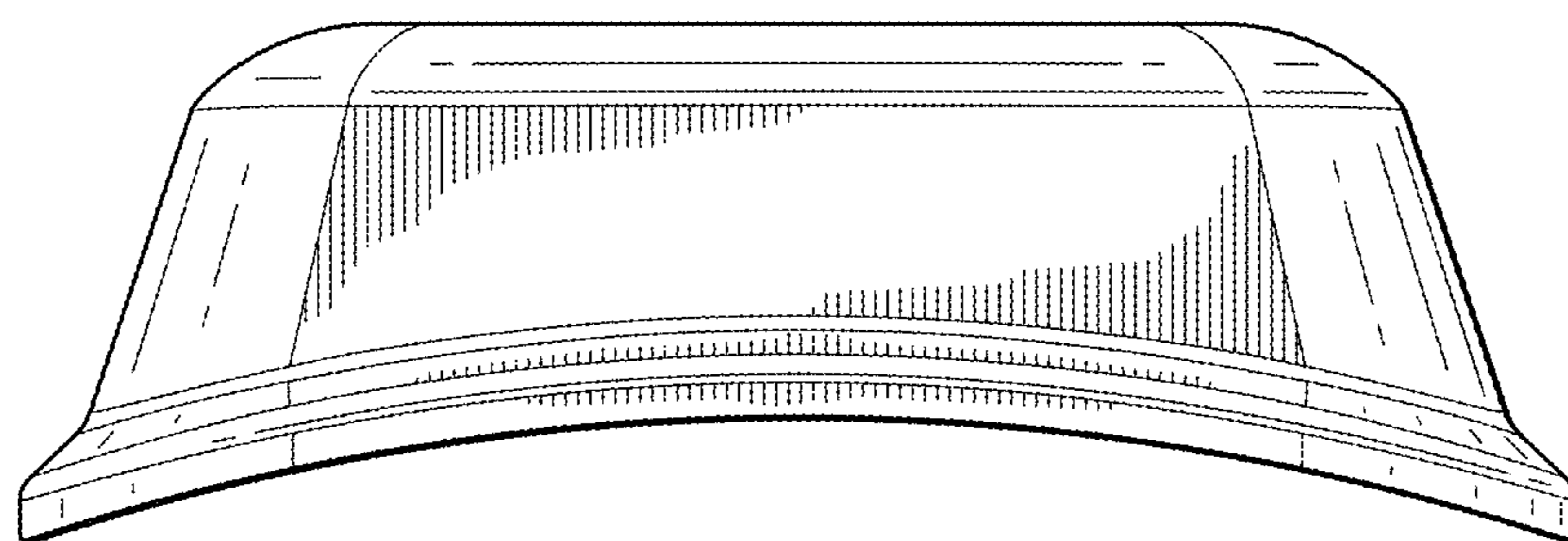


FIG. 7