



US00D703155S

(12) **United States Design Patent**
Burstein et al.

(10) **Patent No.:** **US D703,155 S**

(45) **Date of Patent:** **** Apr. 22, 2014**

(54) **CONTROL UNIT**

(71) Applicant: **The Stanley Works Israel Ltd.**, Rosh Ha' Ayin (IL)

(72) Inventors: **Gil Burstein**, Gedera (IL); **Esti Carmeli**, Caesarea (IL); **Ireen Havkin**, Tel Aviv (IL); **Amir Katz**, Bat Hefer (IL); **Omer Kotzer**, Tel Aviv (IL); **Avner Sadot**, Tel Aviv (IL); **Shammai Weiss**, Tel Aviv (IL)

(73) Assignee: **The Stanley Works Israel Ltd.** (IL)

(**) Term: **14 Years**

(21) Appl. No.: **29/439,534**

(22) Filed: **Dec. 12, 2012**

(30) **Foreign Application Priority Data**

Jul. 5, 2012 (EM) 00133660

(51) **LOC (10) Cl.** **13-03**

(52) **U.S. Cl.**
USPC **D13/164**

(58) **Field of Classification Search**
USPC D13/162, 164, 168; D10/49, 50; D14/358; 200/5 R, 5 A, 296, 308, 310, 200/314; 340/10.42, 500; 455/20, 41.2; 173/2, 4, 11; 361/600, 601, 622, 627, 361/628, 679.01; 700/17, 83; 715/700, 810

See application file for complete search history.

(56) **References Cited**

U.S. PATENT DOCUMENTS

D349,687	S	*	8/1994	Khoo et al.	D13/162
D364,573	S	*	11/1995	Pearsall	D10/50
D393,629	S	*	4/1998	Tsui	D13/168
D404,391	S	*	1/1999	Herbstritt et al.	D13/162
D442,559	S	*	5/2001	Marcomini	D13/162
D513,737	S	*	1/2006	Riley	D13/164
2005/0203669	A1	*	9/2005	Curren	700/284
2005/0227612	A1	*	10/2005	Helstrom et al.	455/3.02
2008/0191847	A1	*	8/2008	August et al.	340/10.42
2010/0295665	A1	*	11/2010	Landau et al.	340/10.42
2012/0109343	A1	*	5/2012	Shah	700/83

* cited by examiner

Primary Examiner — Selina Sikder

(74) *Attorney, Agent, or Firm* — Bruce S. Shapiro; John Yun; Stephen R. Valancius

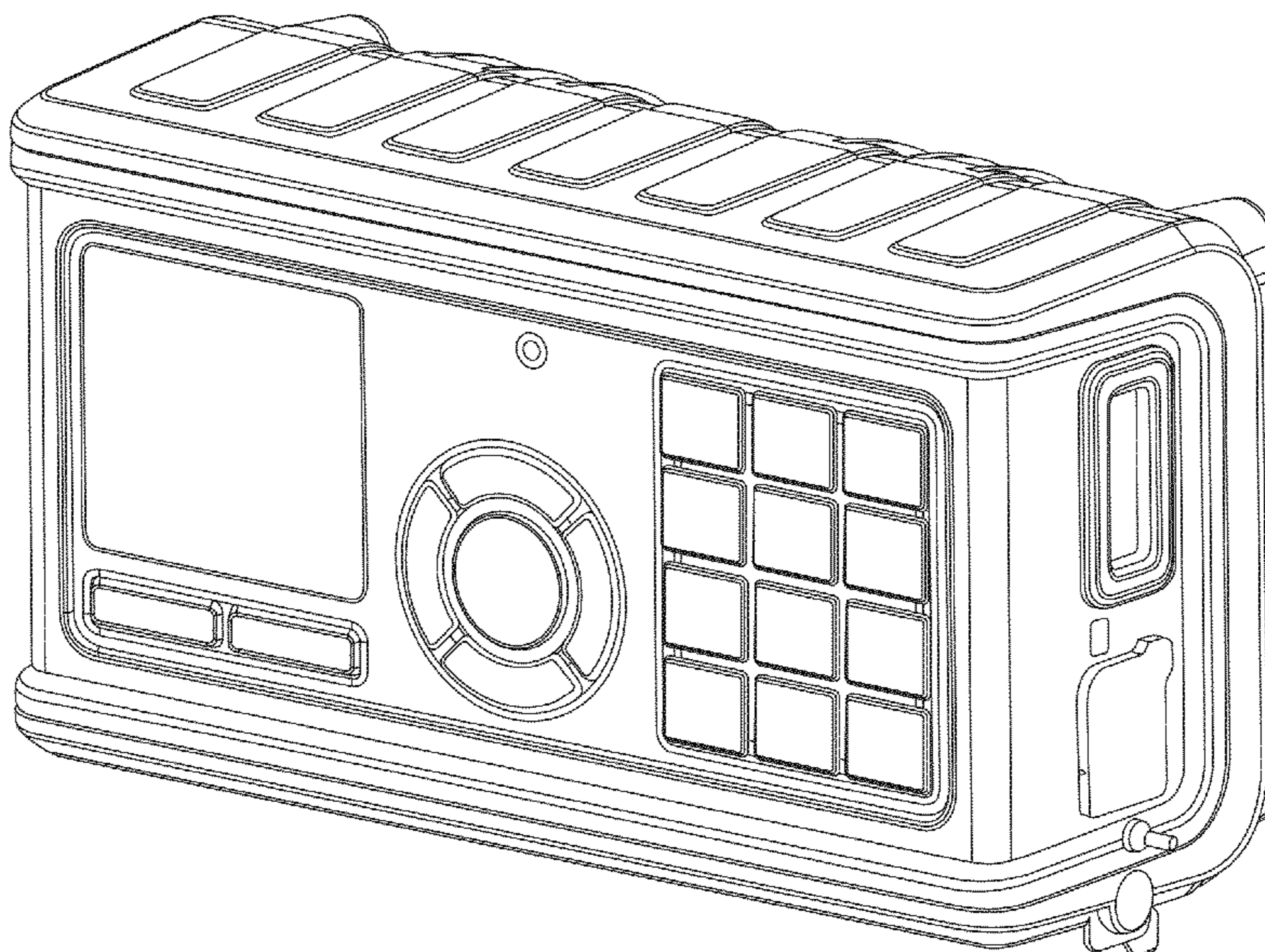
(57) **CLAIM**

The ornamental design for a control unit, as shown and described.

DESCRIPTION

FIG. 1 is a right front perspective view of our new design; FIG. 2 is a front view thereof; FIG. 3 is a rear view thereof; FIG. 4 is a left side view thereof; FIG. 5 is a right side view thereof; FIG. 6 is a top view thereof; and, FIG. 7 is a bottom view thereof. The broken lines shown in FIG. 7 form no part of the claimed design.

1 Claim, 6 Drawing Sheets



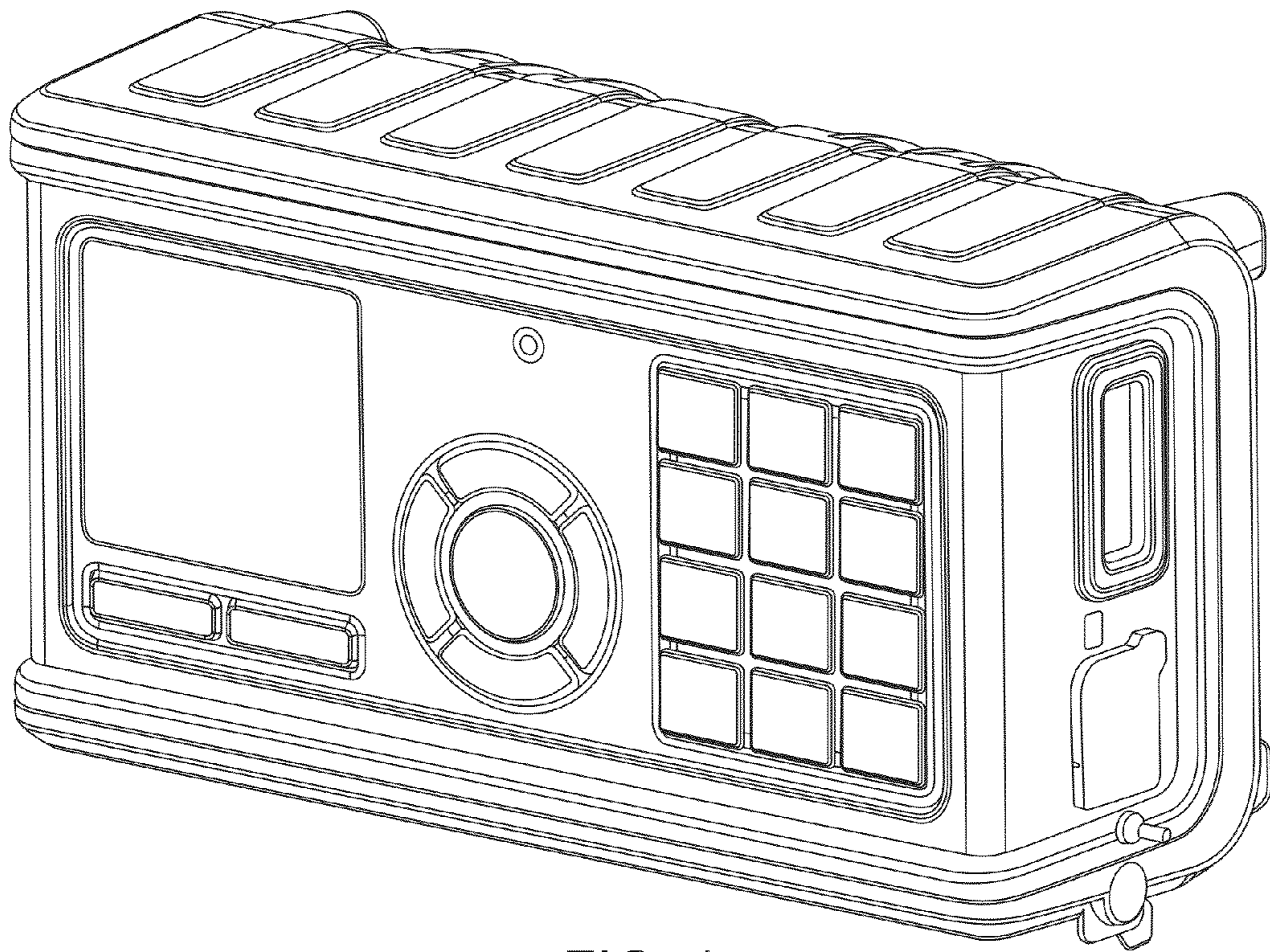


FIG. 1

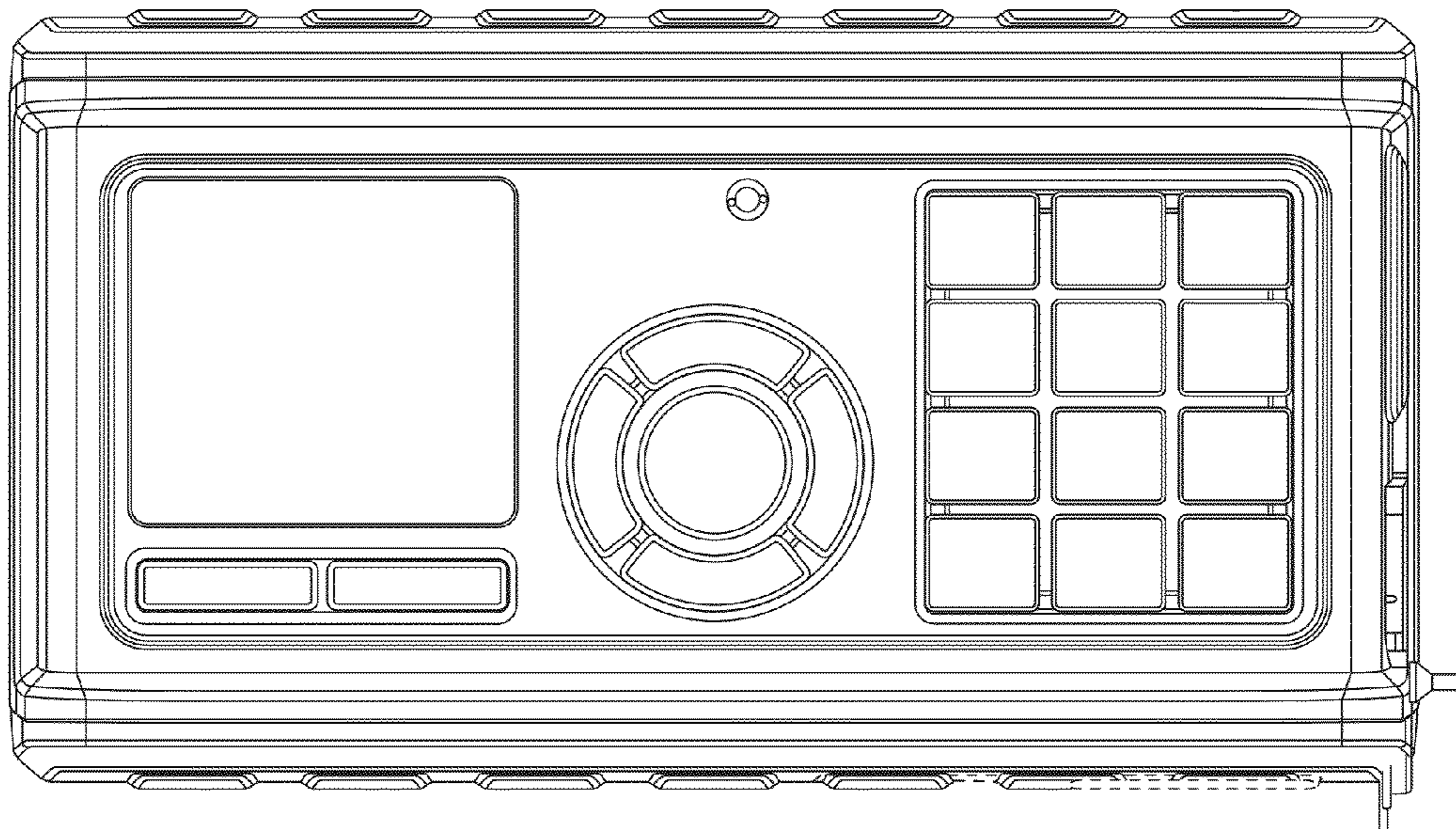


FIG. 2

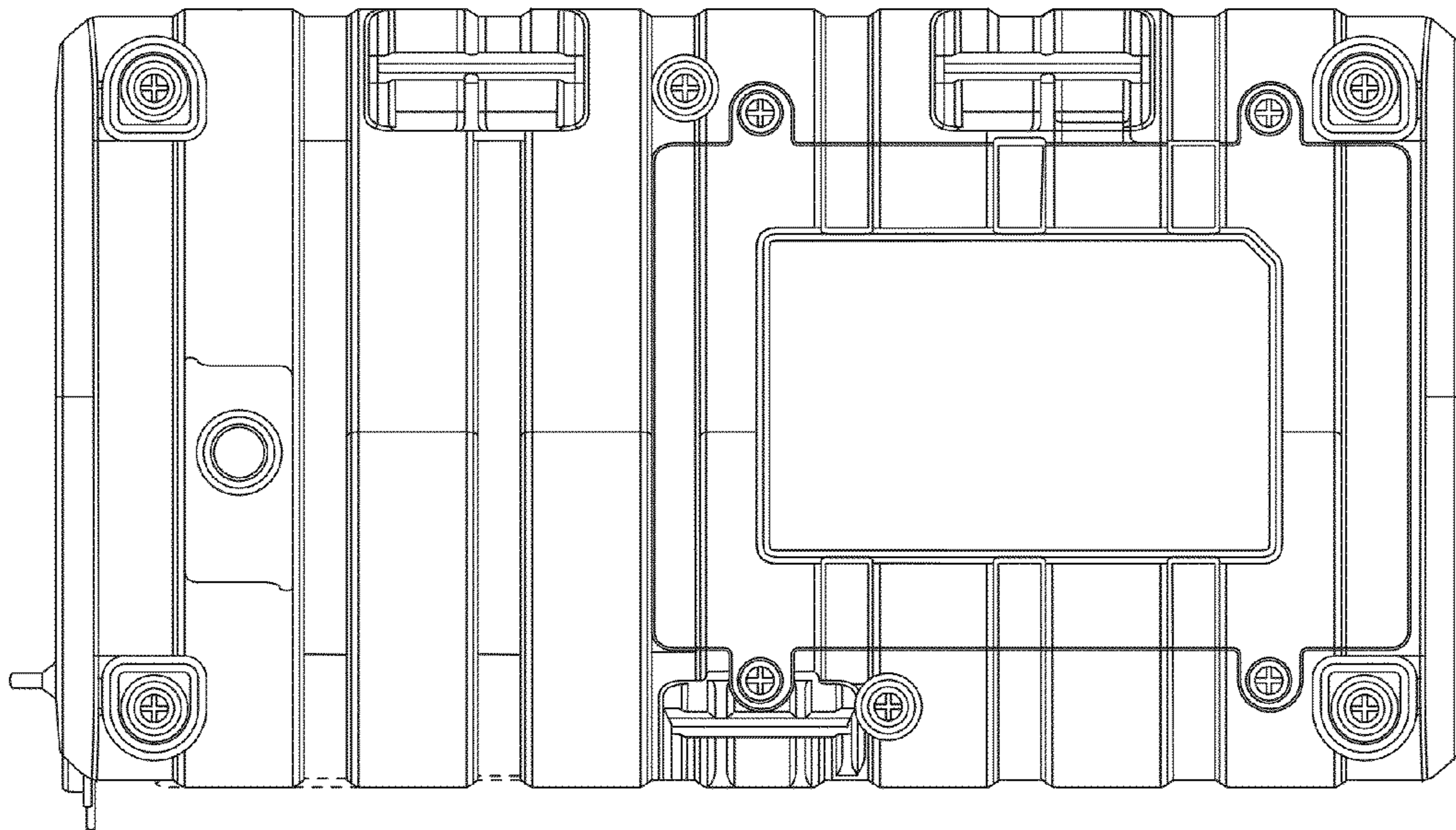


FIG. 3

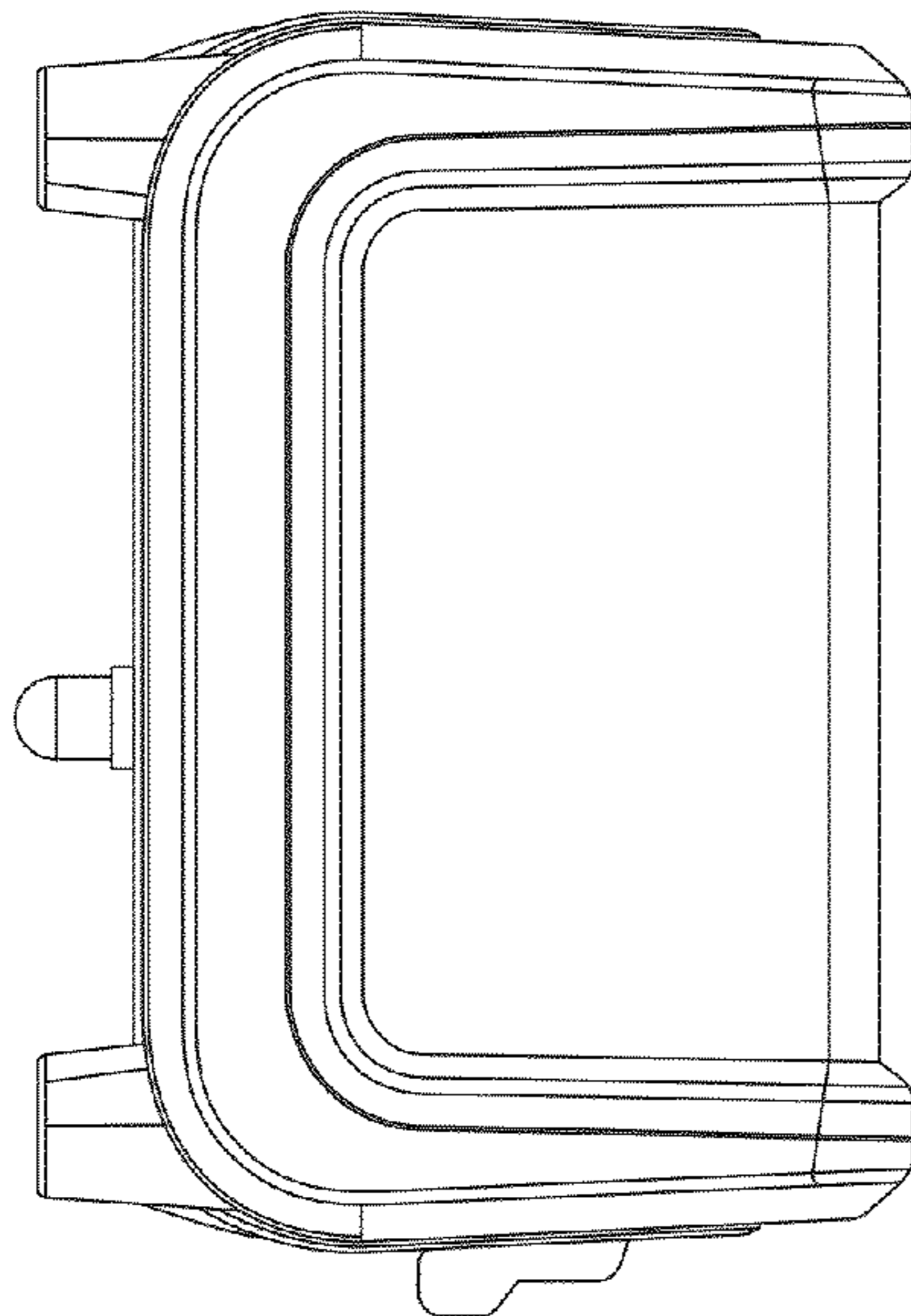


FIG. 4

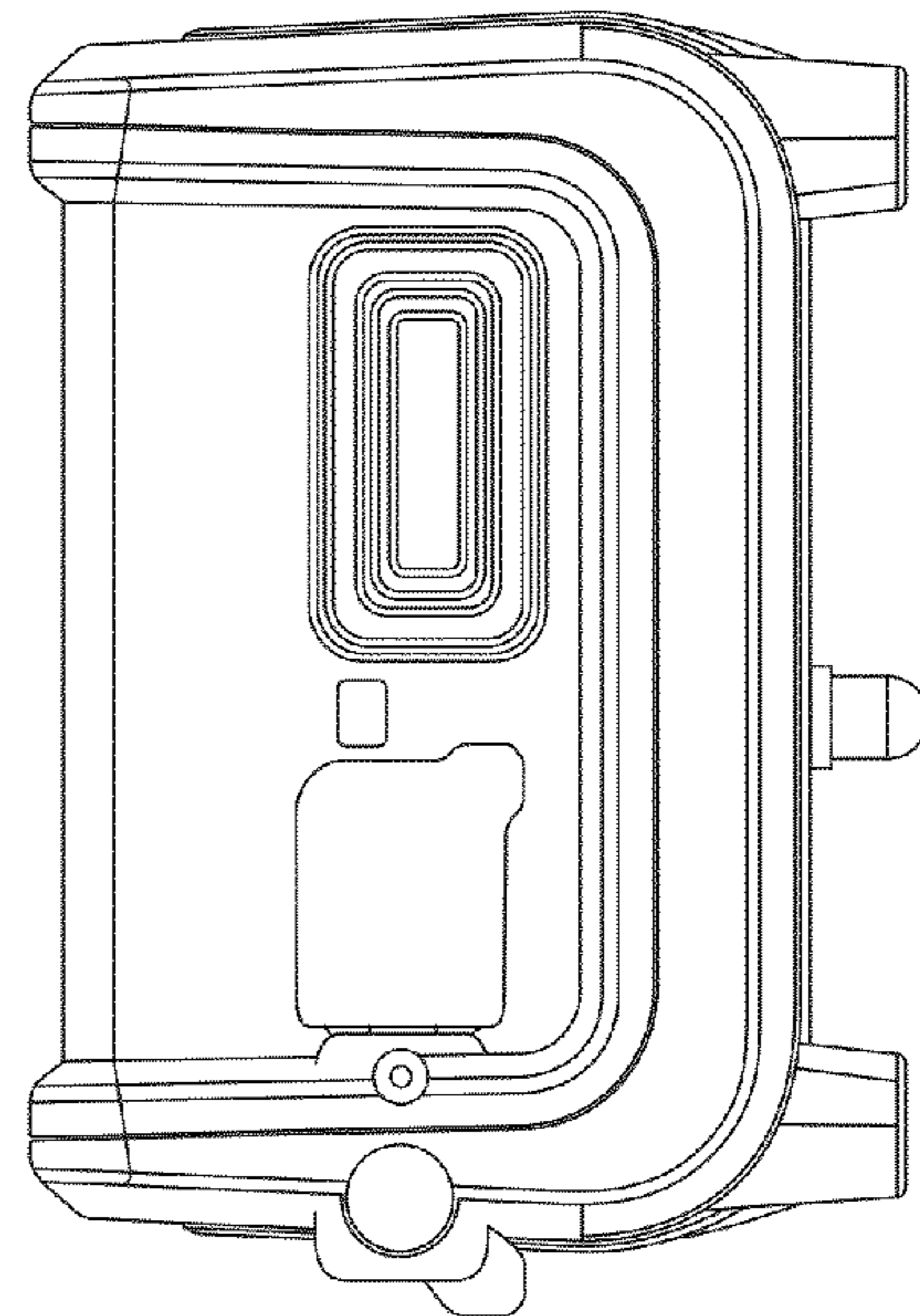


FIG. 5

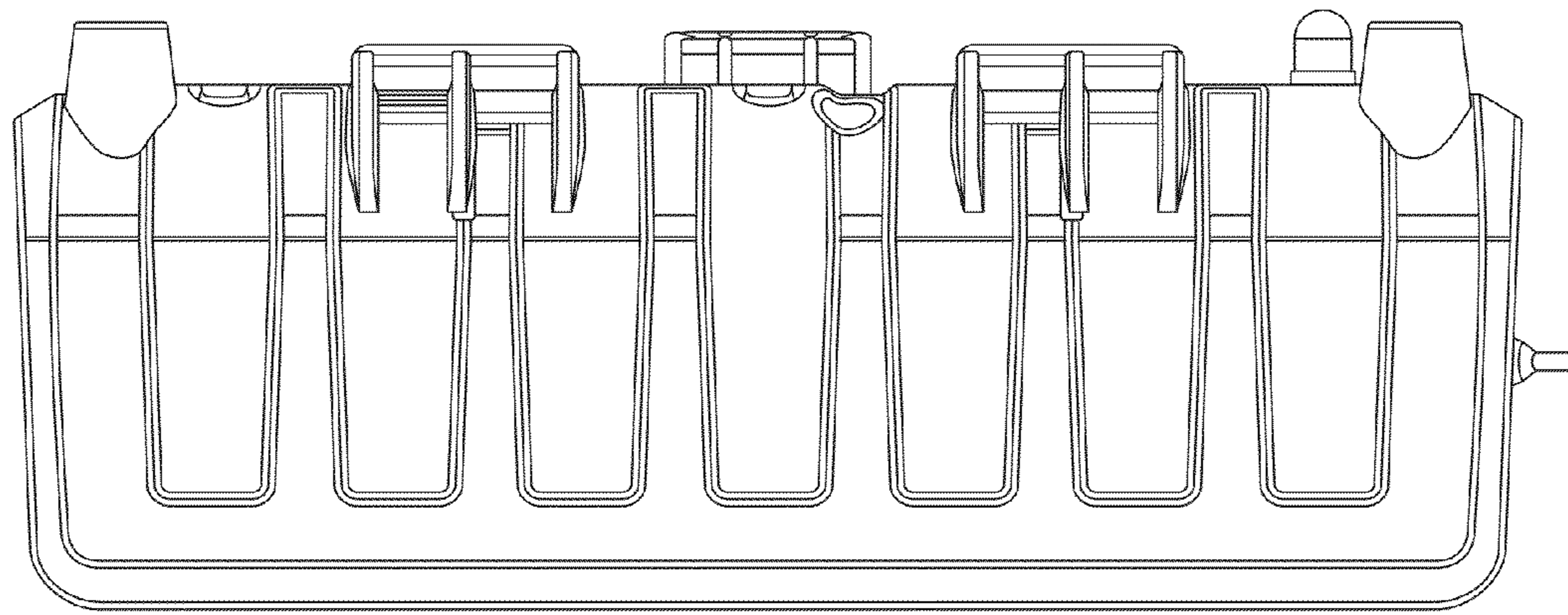


FIG. 6

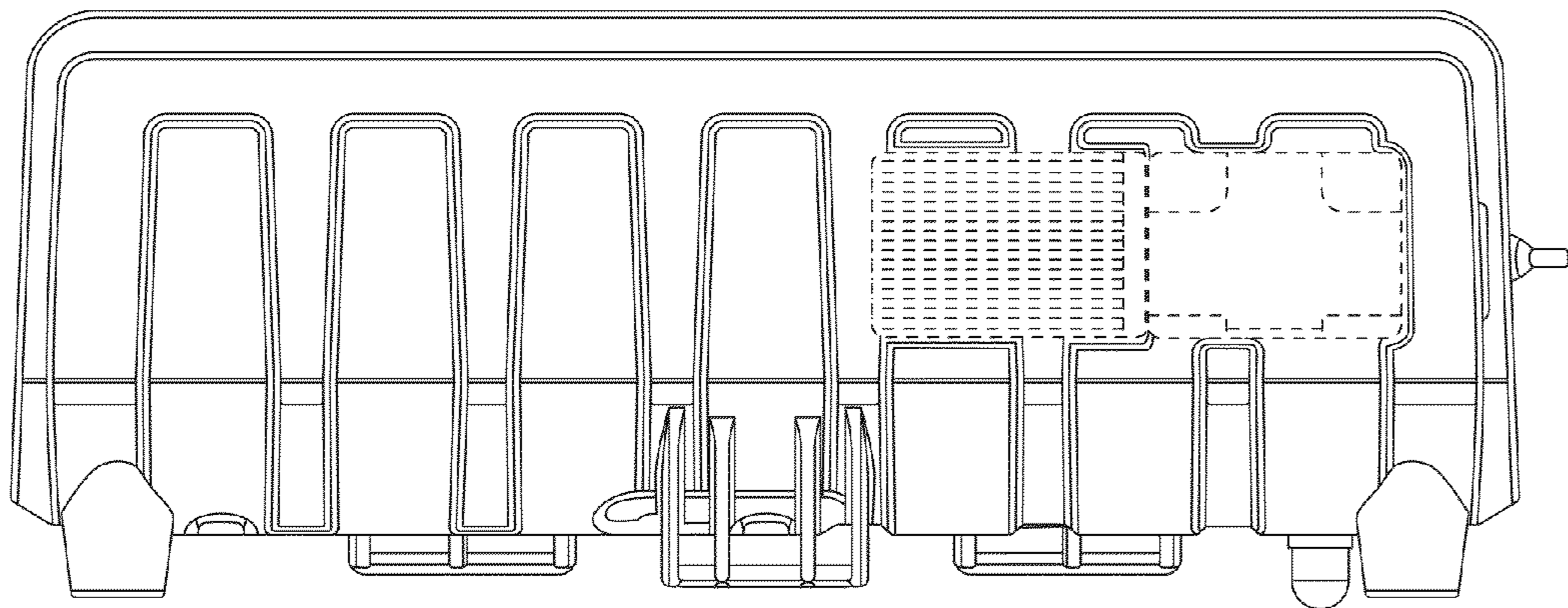


FIG. 7