



US00D703153S

(12) **United States Design Patent**
Takahashi et al.

(10) **Patent No.:** **US D703,153 S**
(45) **Date of Patent:** **** Apr. 22, 2014**

(54) **LIMIT SWITCH**

(71) Applicant: **Omron Corporation**, Kyoto (JP)

(72) Inventors: **Manabu Takahashi**, Kyoto (JP);
Kazuyuki Tsukimori, Kyoto (JP);
Shigenobu Fukui, Kyoto (JP)

(73) Assignee: **Omron Corporation**, Kyoto (JP)

(**) Term: **14 Years**

(21) Appl. No.: **29/466,201**

(22) Filed: **Sep. 5, 2013**

Related U.S. Application Data

(62) Division of application No. 29/408,235, filed on Dec. 8, 2011, now Pat. No. Des. 692,395.

(30) **Foreign Application Priority Data**

Jun. 10, 2011 (JP) 2011-013169
Jun. 10, 2011 (JP) 2011-013170
Jun. 10, 2011 (JP) 2011-013171
Jun. 10, 2011 (JP) 2011-013172
Jun. 10, 2011 (JP) 2011-013176
Jun. 10, 2011 (JP) 2011-013177

(51) **LOC (10) Cl.** **09-03**

(52) **U.S. Cl.**
USPC **D13/158**

(58) **Field of Classification Search**
USPC D13/110, 133, 160, 158; 174/50, 66,
174/65 R, 67, 70 R, 77 R, 77 S, 92; 200/5 R,
200/43.11, 43.14, 50.01, 50.15, 293, 293.1,
200/303, 401; 335/68, 132, 202; 361/42,
361/44, 45, 50, 71, 115, 118, 119, 679;
439/578, 638, 675, 687, 696, 825, 842,
439/844, 620

See application file for complete search history.

(56) **References Cited**

U.S. PATENT DOCUMENTS

3,539,738 A 11/1970 Bowen et al.
4,133,991 A 1/1979 Takase
D580,879 S 11/2008 Andersson
D588,551 S 3/2009 Andersson
D596,138 S 7/2009 Andersson
D692,394 S * 10/2013 Takahashi et al. D13/158
D692,395 S * 10/2013 Takahashi et al. D13/158
2012/0235025 A1 9/2012 Tobita et al.

OTHER PUBLICATIONS

Omron Catalog of limit switches (Oct. 2011).

(Continued)

Primary Examiner — Thomas Johannes

(74) *Attorney, Agent, or Firm* — Harness, Dickey & Pierce,
P.L.C.

(57) **CLAIM**

The ornamental design for a limit switch, as shown and described.

DESCRIPTION

FIG. 1 is a top, front and right side perspective view of a limit switch showing our new design;

FIG. 2 is a bottom, rear and left side perspective view thereof;

FIG. 3 is a front elevational view thereof;

FIG. 4 is a rear elevational view thereof;

FIG. 5 is a left side view thereof;

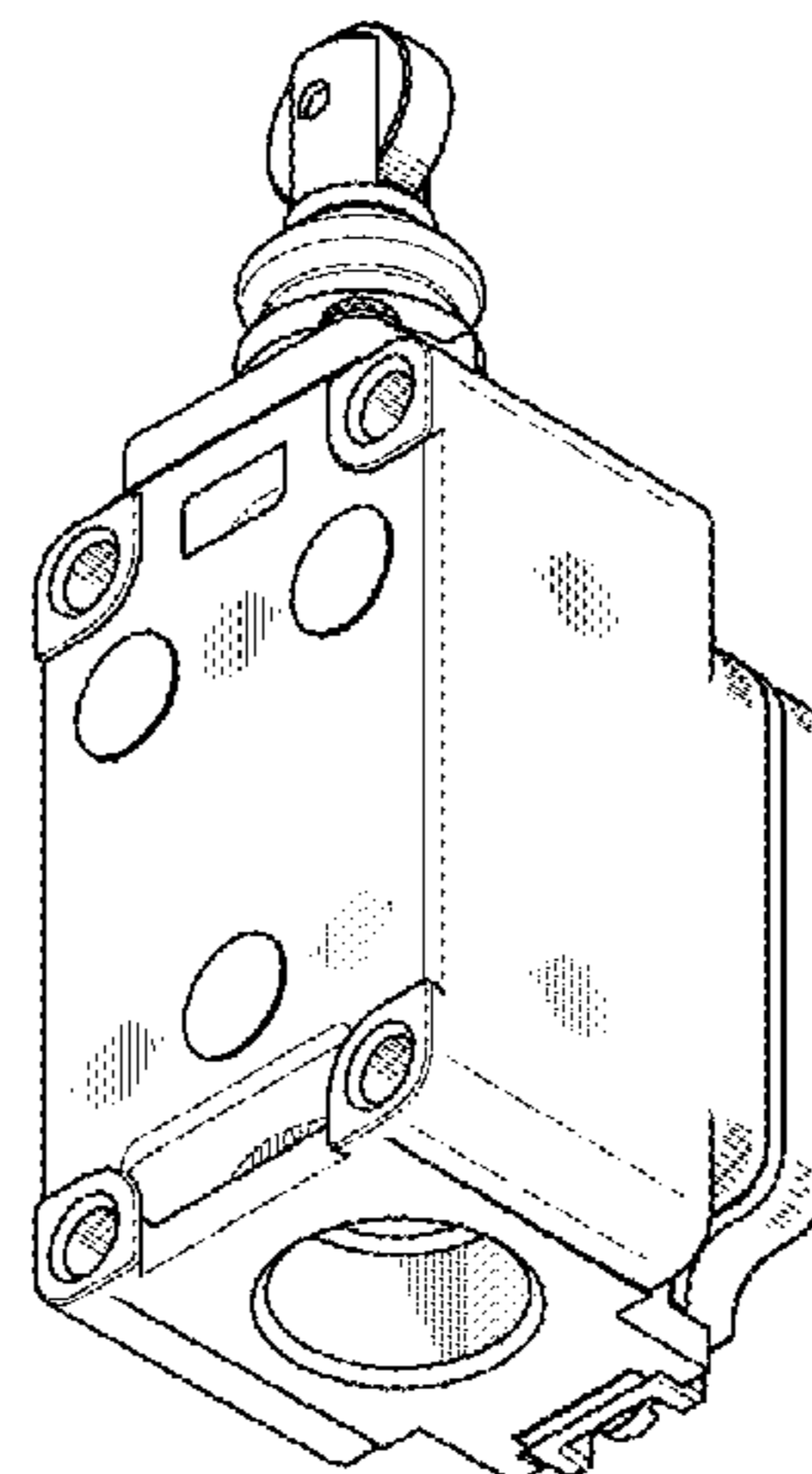
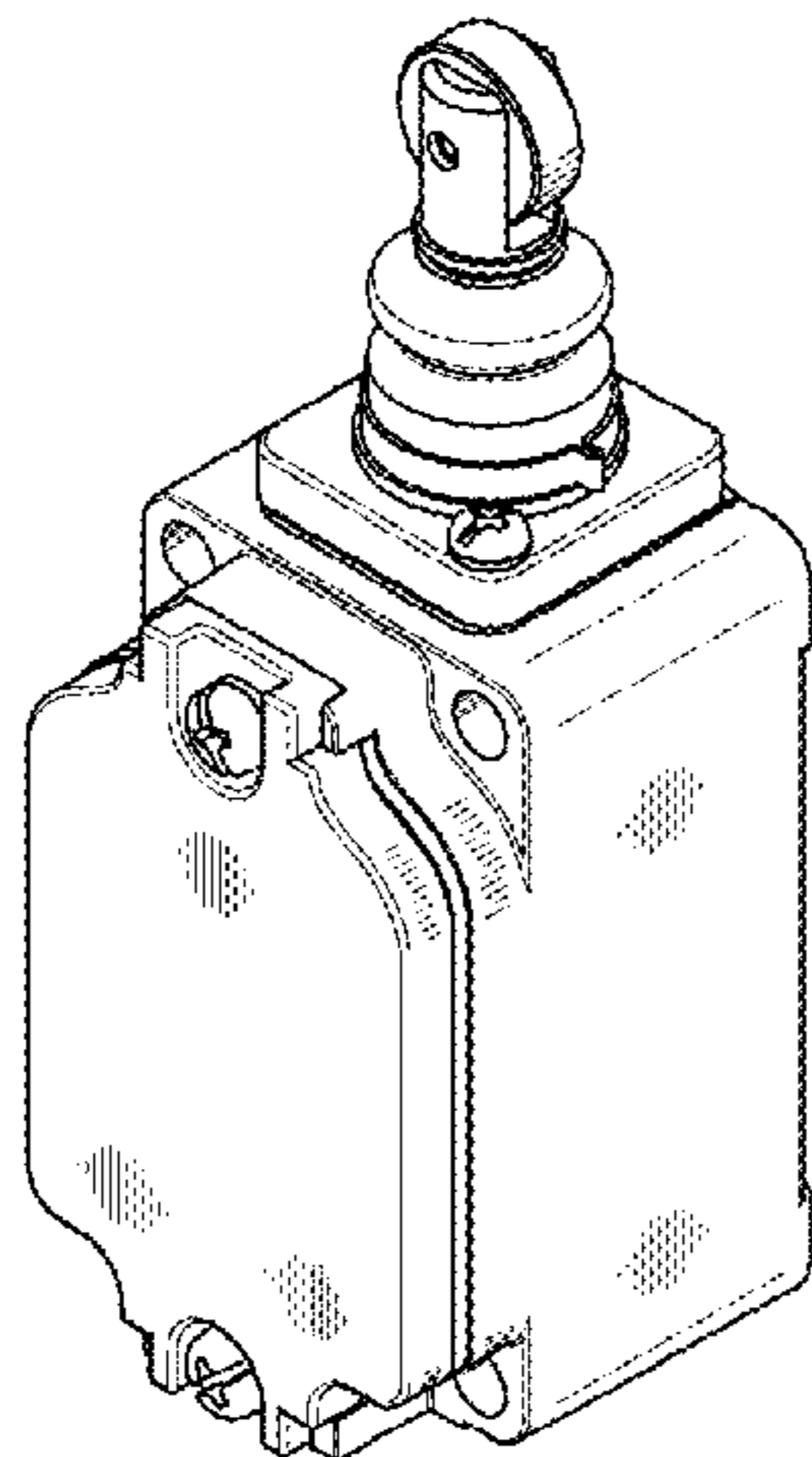
FIG. 6 is a right side view thereof;

FIG. 7 is a top plan view thereof; and,

FIG. 8 is a bottom plan view thereof.

The broken line portion of the figure drawings is included to show unclaimed subject matter only and forms no part of the claimed design.

1 Claim, 4 Drawing Sheets



(56)

References Cited

OTHER PUBLICATIONS

Azbil catalog of limit switches (published at least as early as Dec. 8, 2011).

Moujen product information of limit switches <http://www.mouienswitch.com/products.php?cPath=596> (published at least as early as Dec. 8, 2011).

* cited by examiner

Fig. 1

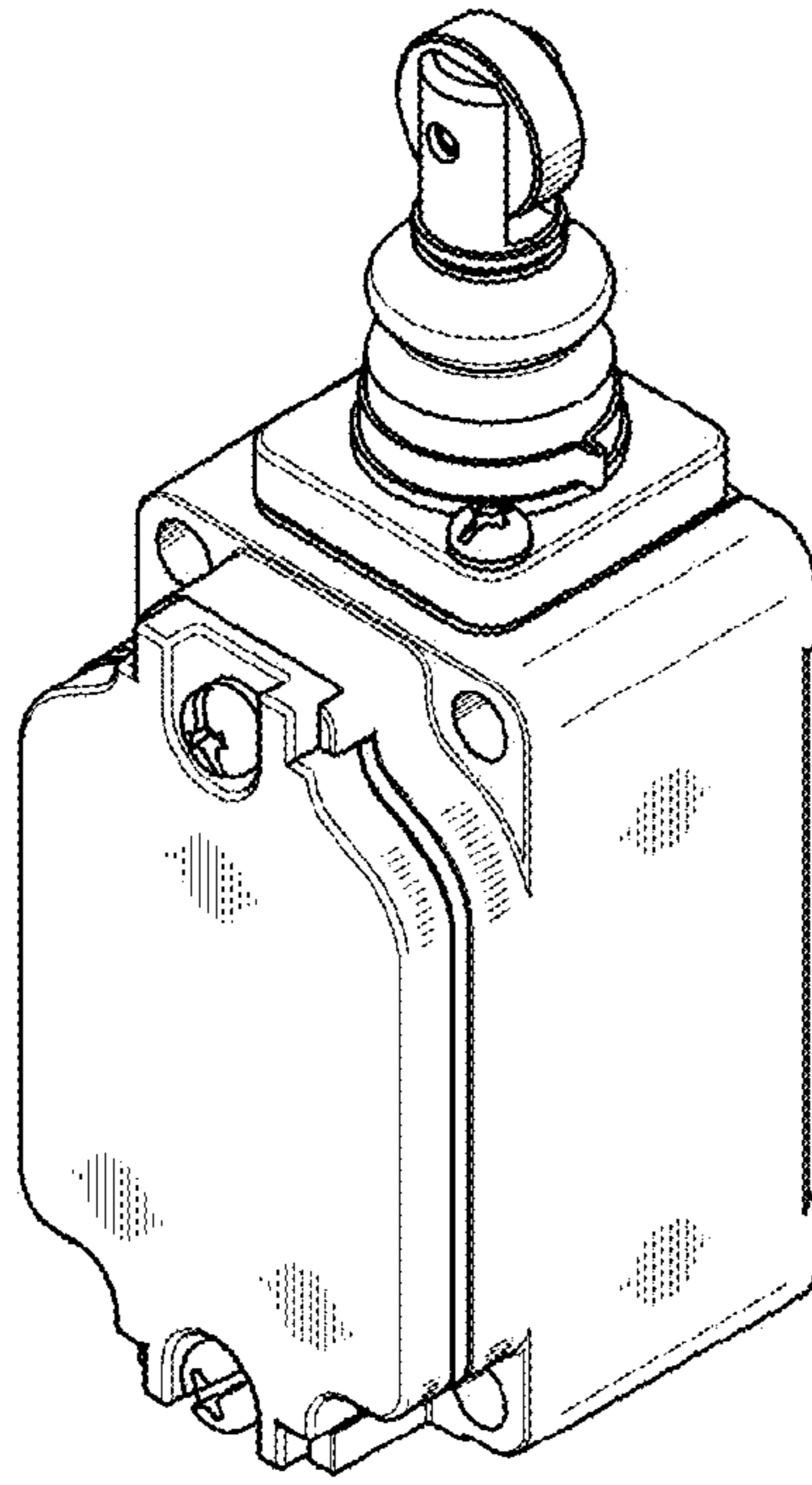


Fig. 2

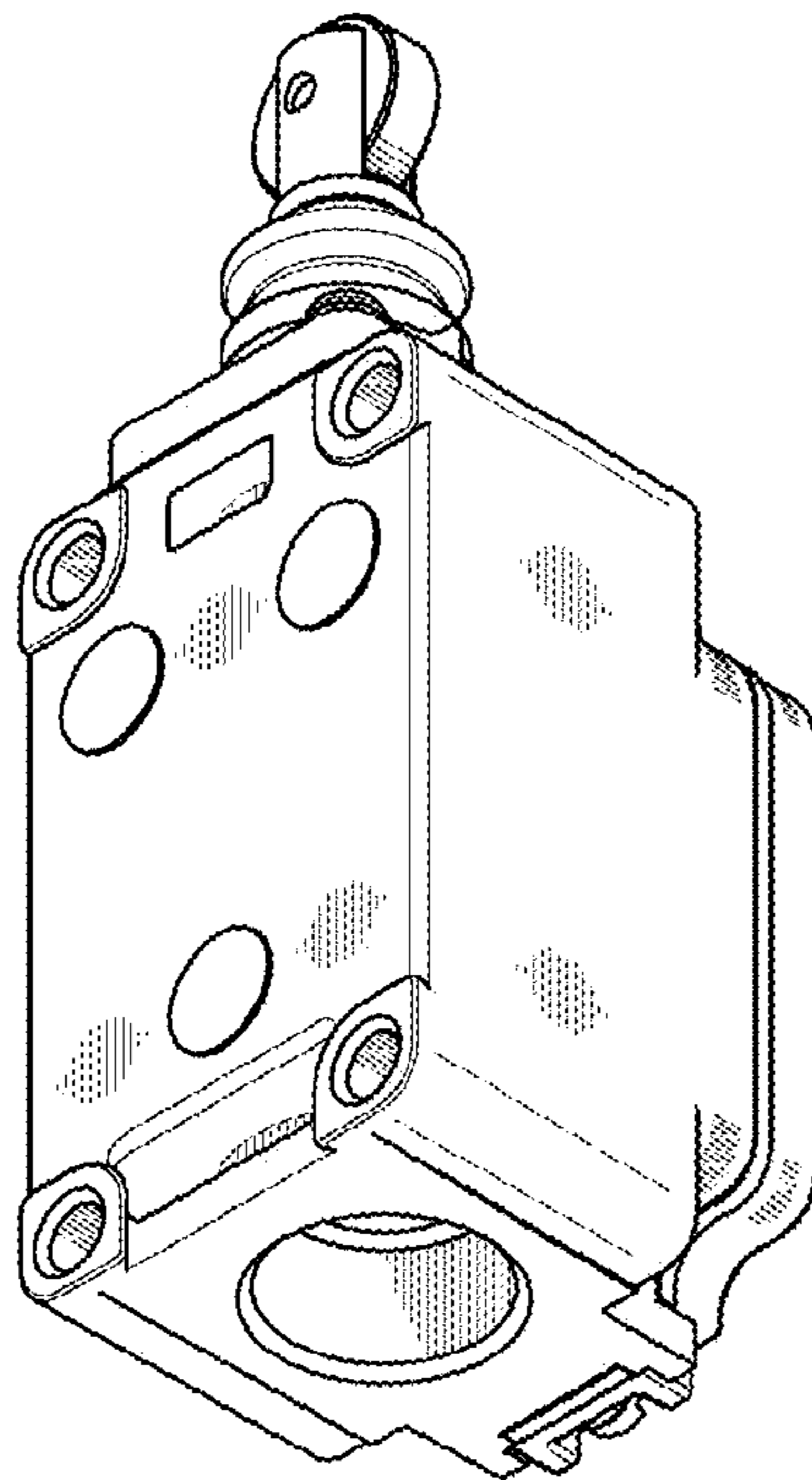


Fig. 3

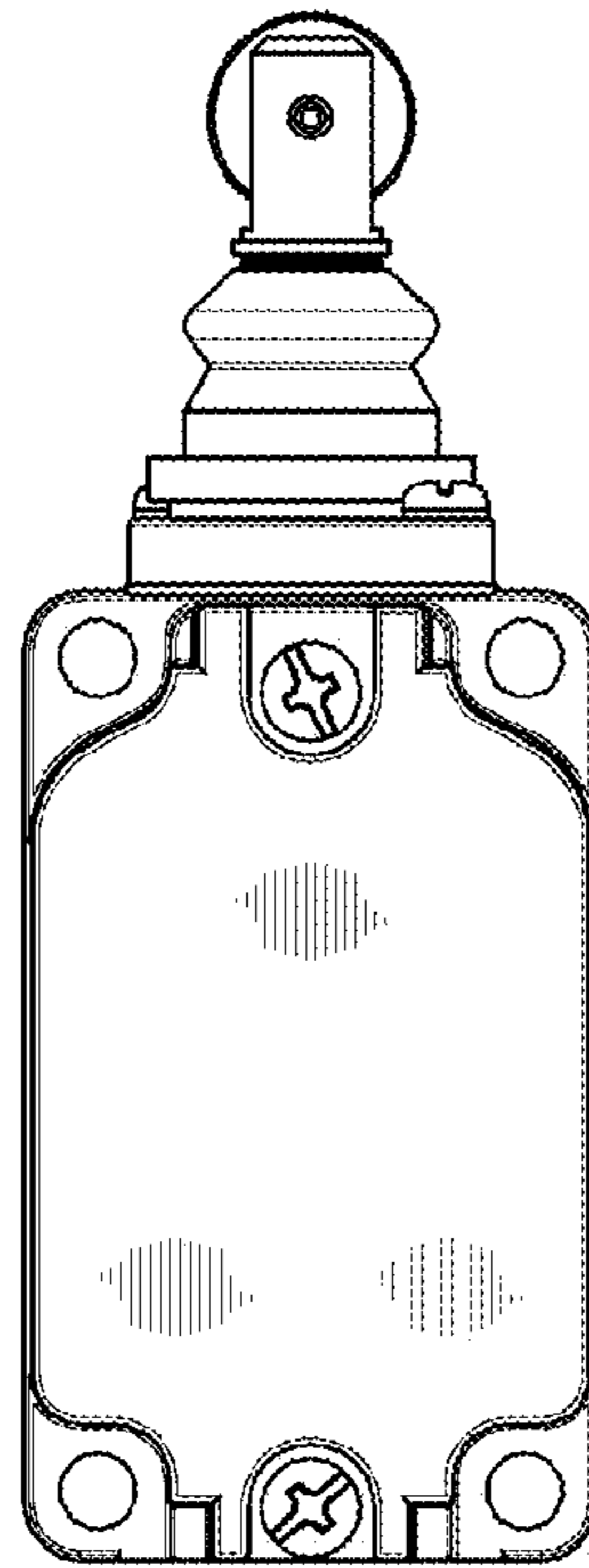


Fig. 4

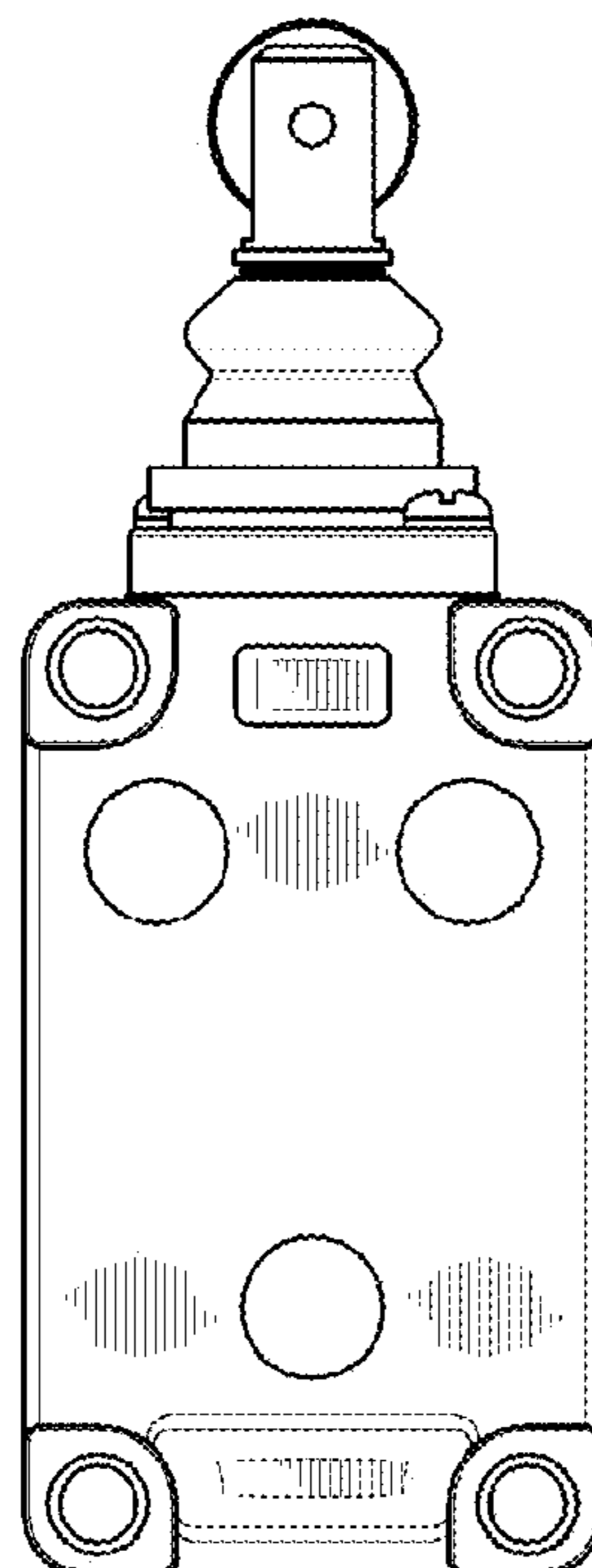


Fig. 5

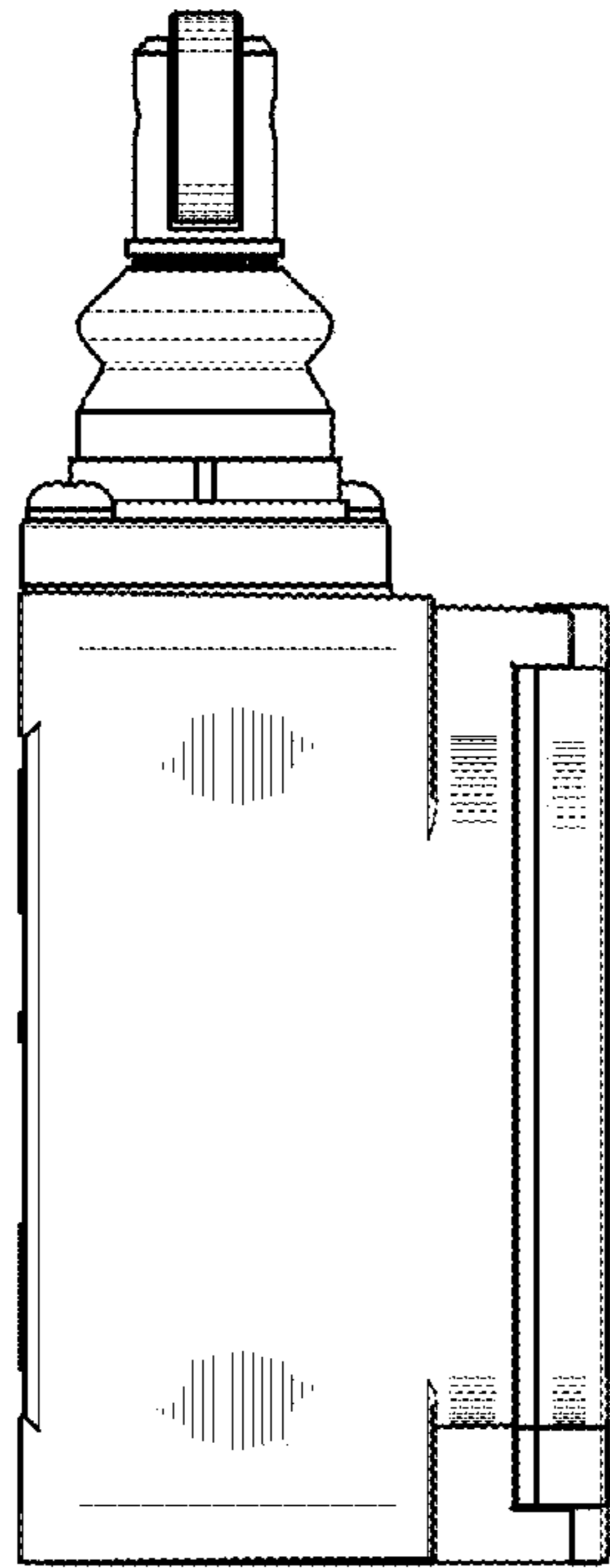


Fig. 6

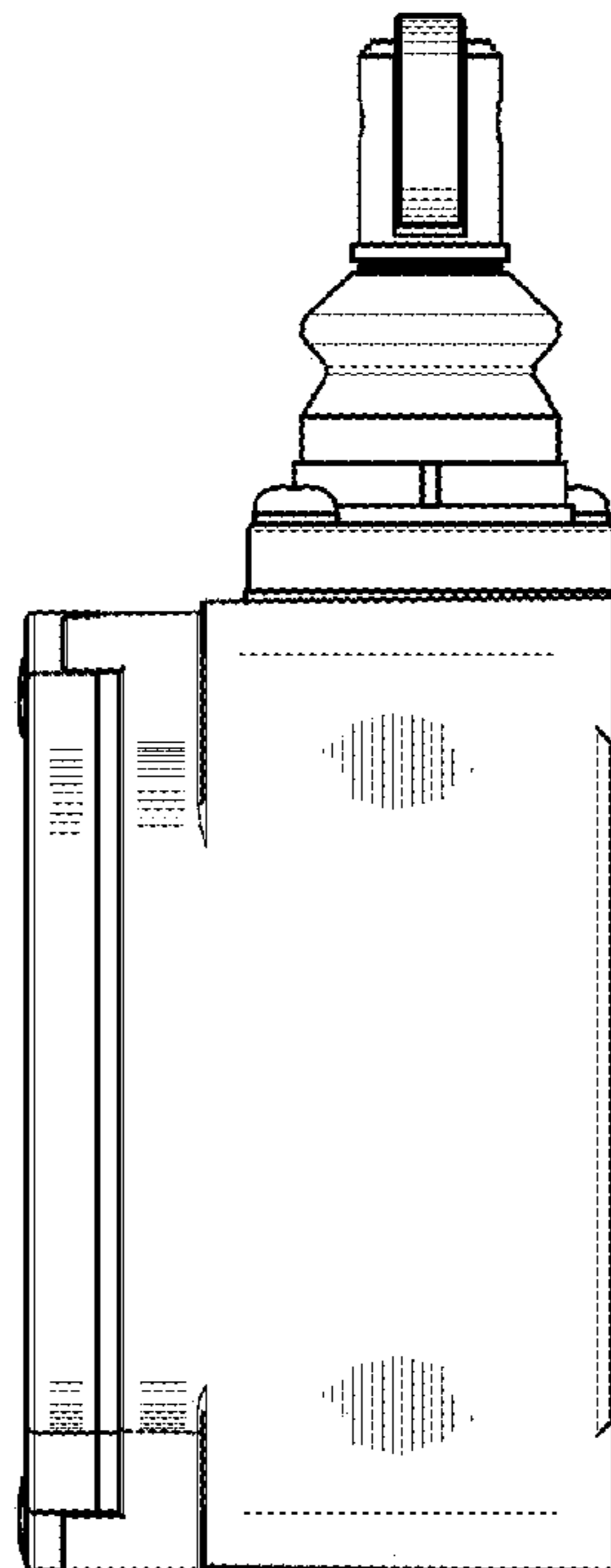


Fig. 7

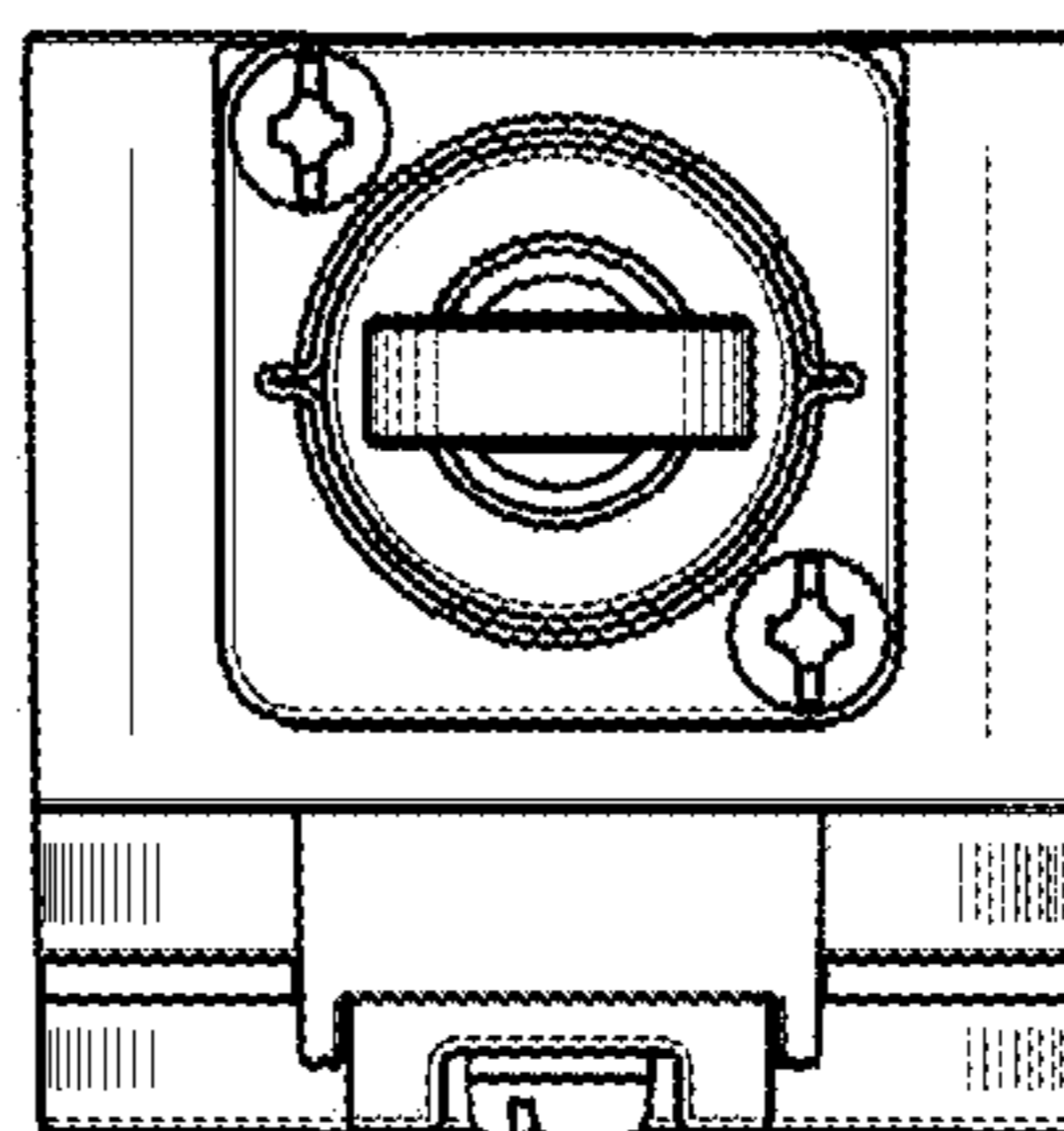


Fig. 8

