



US00D703152S

(12) **United States Design Patent**  
**Holaus et al.**

(10) **Patent No.:** **US D703,152 S**  
(45) **Date of Patent:** **\*\* Apr. 22, 2014**

(54) **GAS INSULATOR SWITCHGEAR**

(56) **References Cited**

(71) Applicant: **ABB Technology AG**, Zürich (CH)

U.S. PATENT DOCUMENTS

(72) Inventors: **Walter Holaus**, Zürich (CH); **Tobias Haas**, Zürich (CH); **Urs Kruesi**, Wiesendangen (CH)

3,823,346	A *	7/1974	Olsen	.....	361/612
4,862,319	A *	8/1989	Suzuyama et al.	.....	361/612
6,624,372	B1 *	9/2003	Ogawa et al.	.....	218/71
D552,561	S *	10/2007	Otsuka et al.	.....	D13/160
D562,254	S *	2/2008	Otsuka et al.	.....	D13/158
D670,657	S *	11/2012	Sabani et al.	.....	D13/158
2006/0283841	A1 *	12/2006	Sologuren-Sanchez et al.	.....	218/79

(73) Assignee: **ABB Technology AG**, Zurich (CH)

(\*\*) Term: **14 Years**

\* cited by examiner

(21) Appl. No.: **29/460,423**

*Primary Examiner* — Thomas Johannes

(22) Filed: **Jul. 10, 2013**

(74) *Attorney, Agent, or Firm* — McCracken & Frank LLC

**Related U.S. Application Data**

(62) Division of application No. 29/406,339, filed on Nov. 11, 2011, now Pat. No. Des. 688,633.

(57) **CLAIM**

The ornamental design for a gas insulator switchgear, as shown and described.

(30) **Foreign Application Priority Data**

May 13, 2011 (CH) ..... 137930

(51) **LOC (10) Cl.** ..... **13-03**

(52) **U.S. Cl.**  
USPC ..... **D13/158**

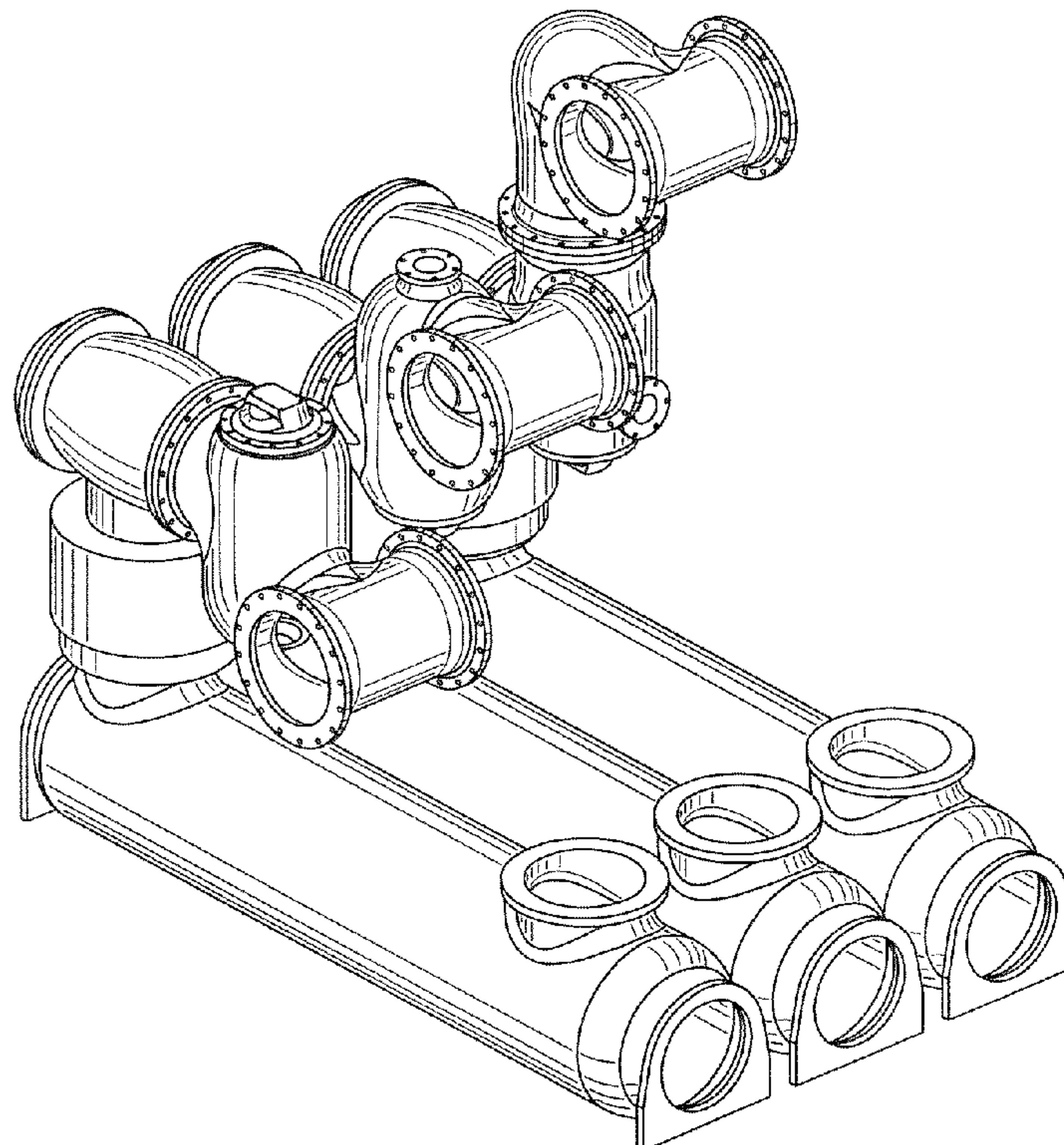
(58) **Field of Classification Search**  
USPC ..... D13/120, 158, 160, 184, 199; 218/118, 218/119, 7, 77, 78, 79, 2, 102; 251/172; 361/605, 612

See application file for complete search history.

**DESCRIPTION**

FIG. 1 is a perspective view of a front, left side, and top of an ornamental design for a gas insulator switchgear;  
FIG. 2 is a front elevational view thereof;  
FIG. 3 is a rear elevational view thereof;  
FIG. 4 is a right side elevational view thereof;  
FIG. 5 is a left side elevational view thereof;  
FIG. 6 is a top plan view thereof; and,  
FIG. 7 is a bottom plan view of thereof.

**1 Claim, 7 Drawing Sheets**



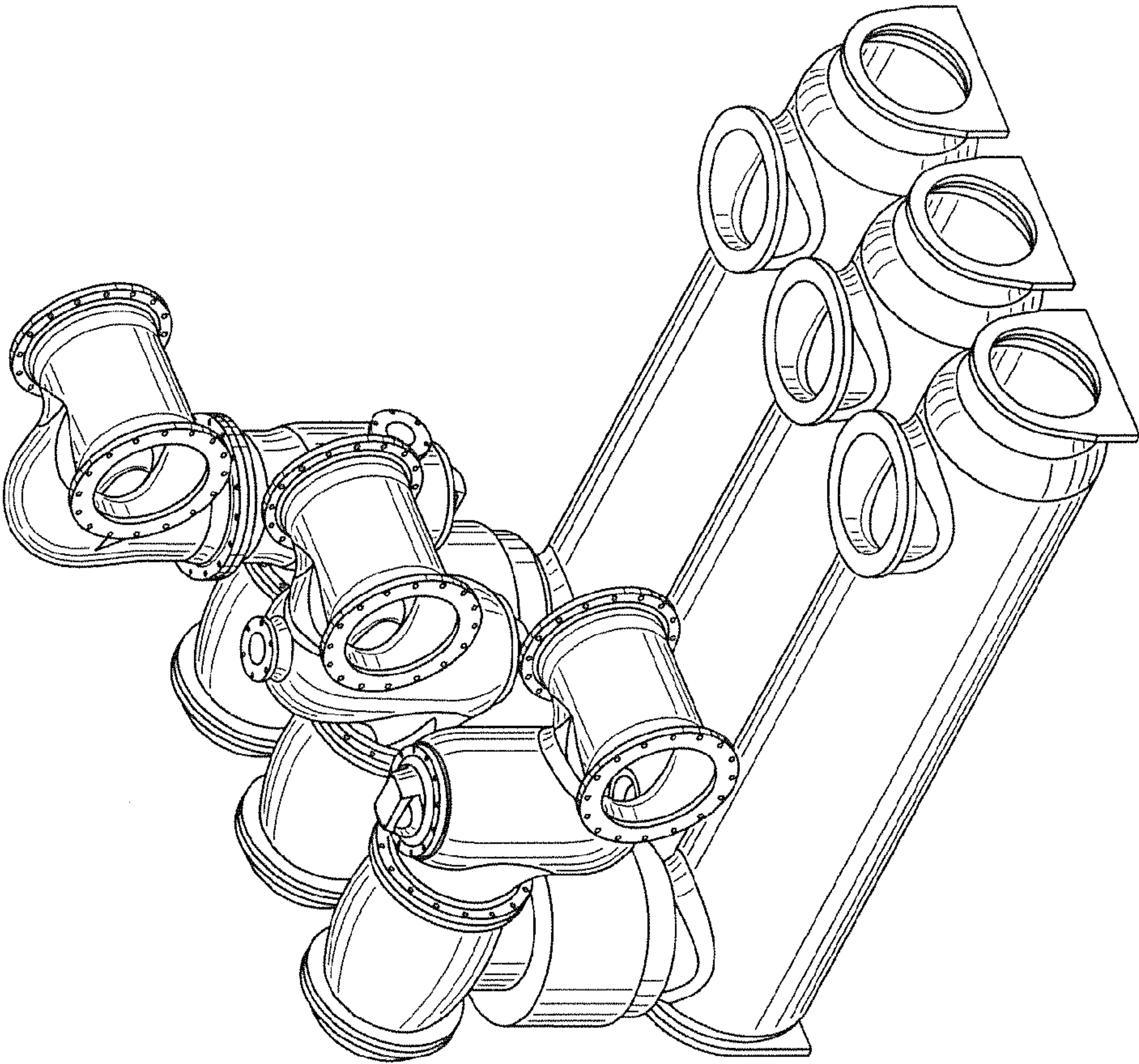


FIG. 1

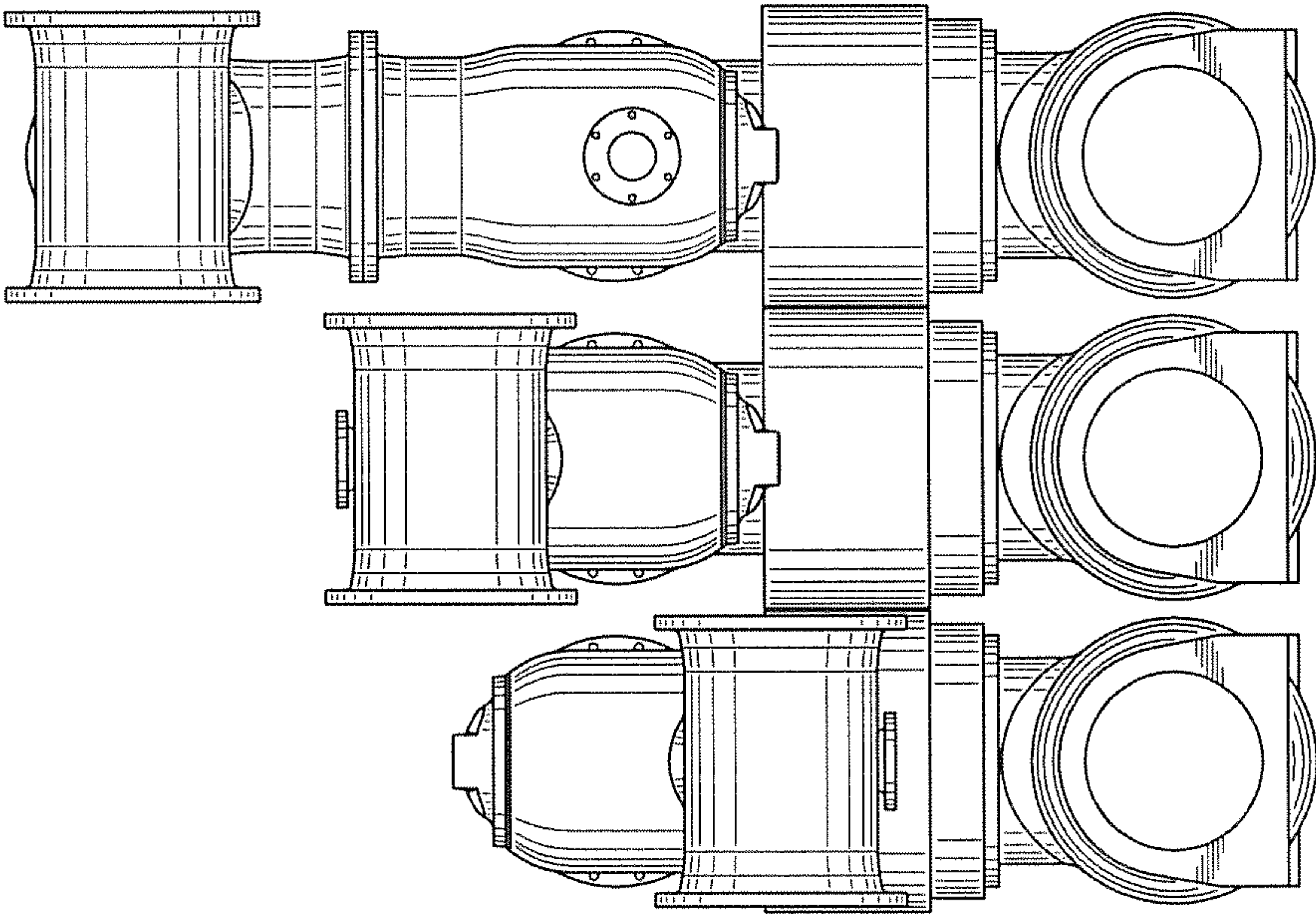


FIG. 2



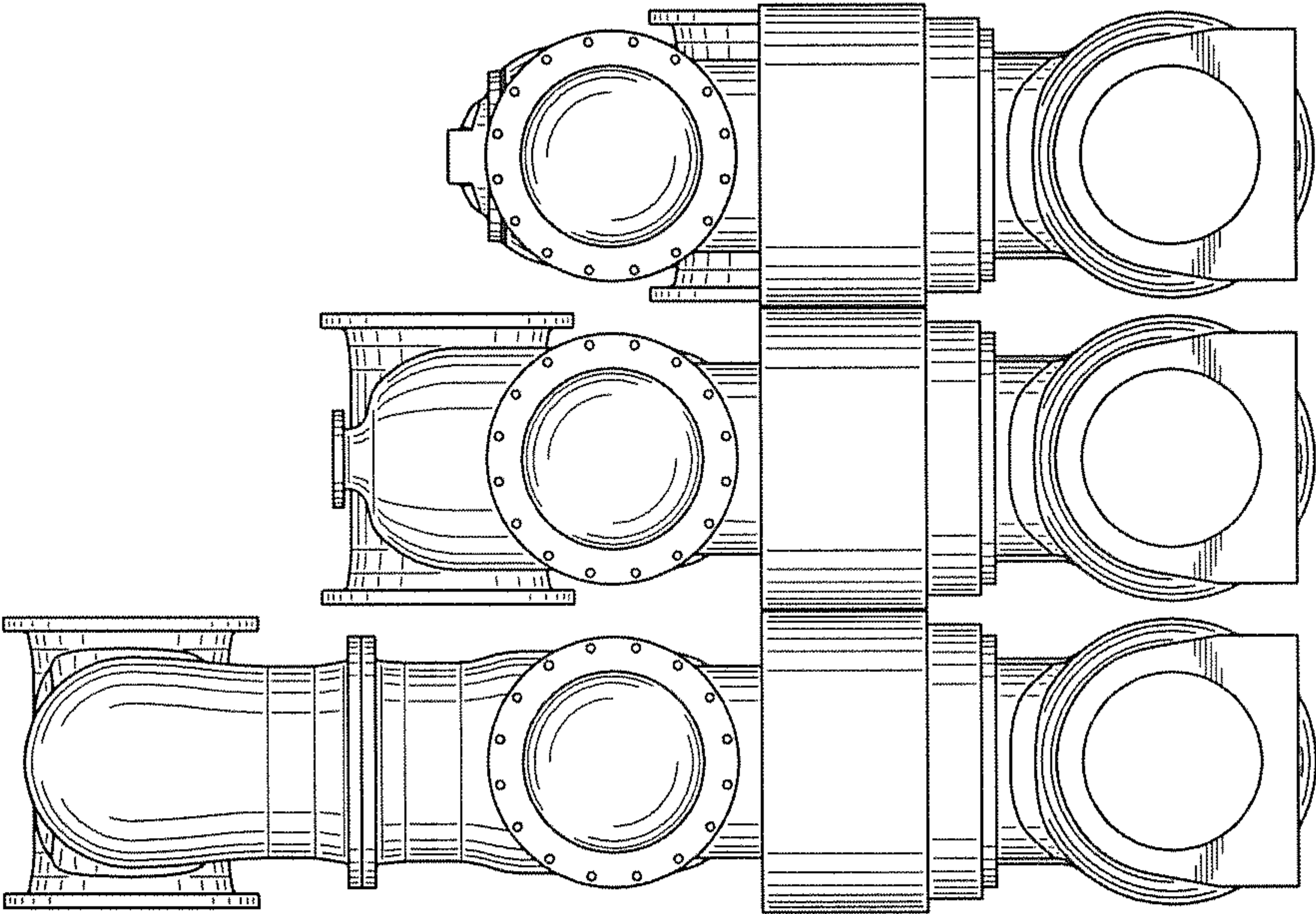


FIG. 3

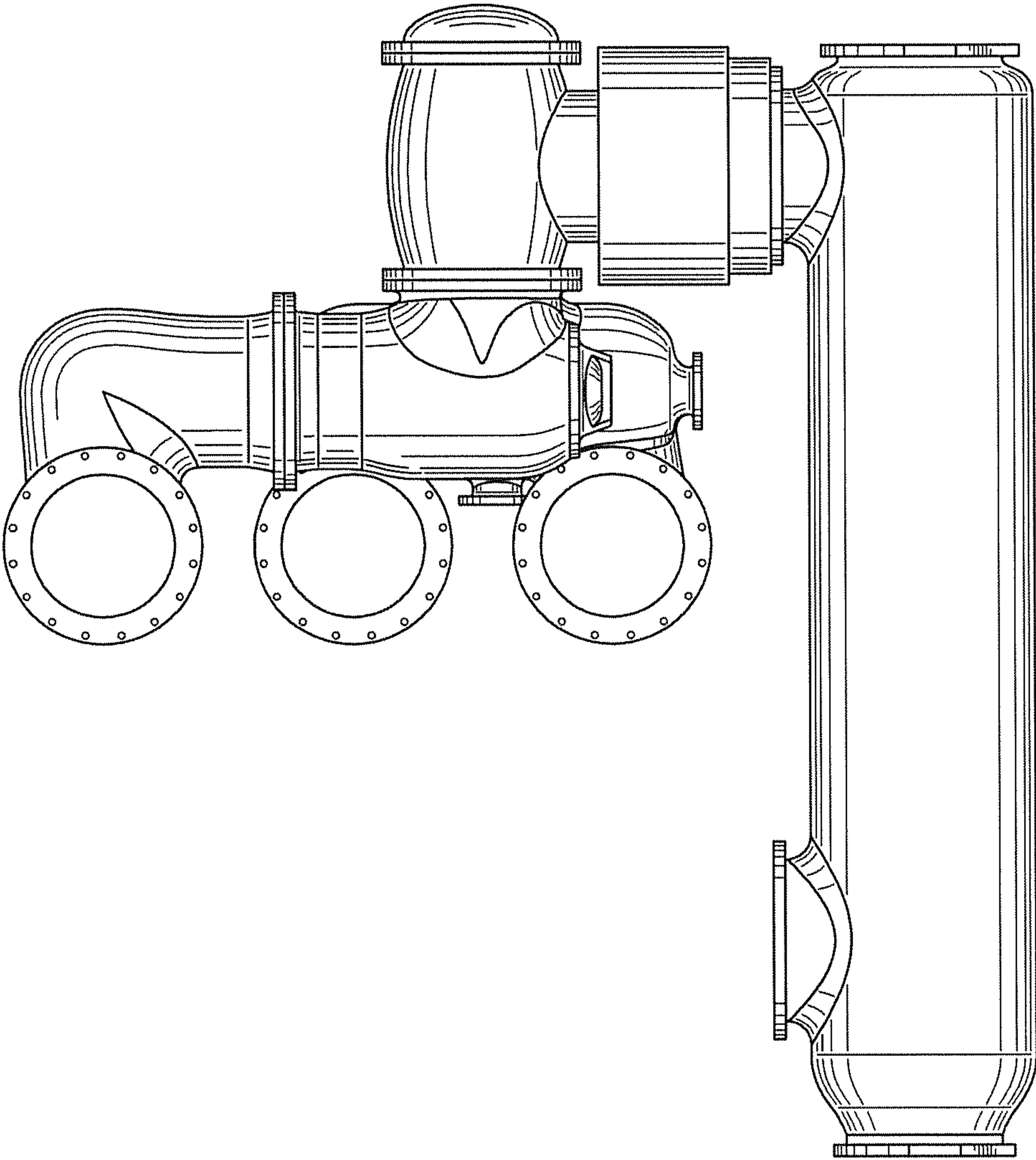


FIG. 4

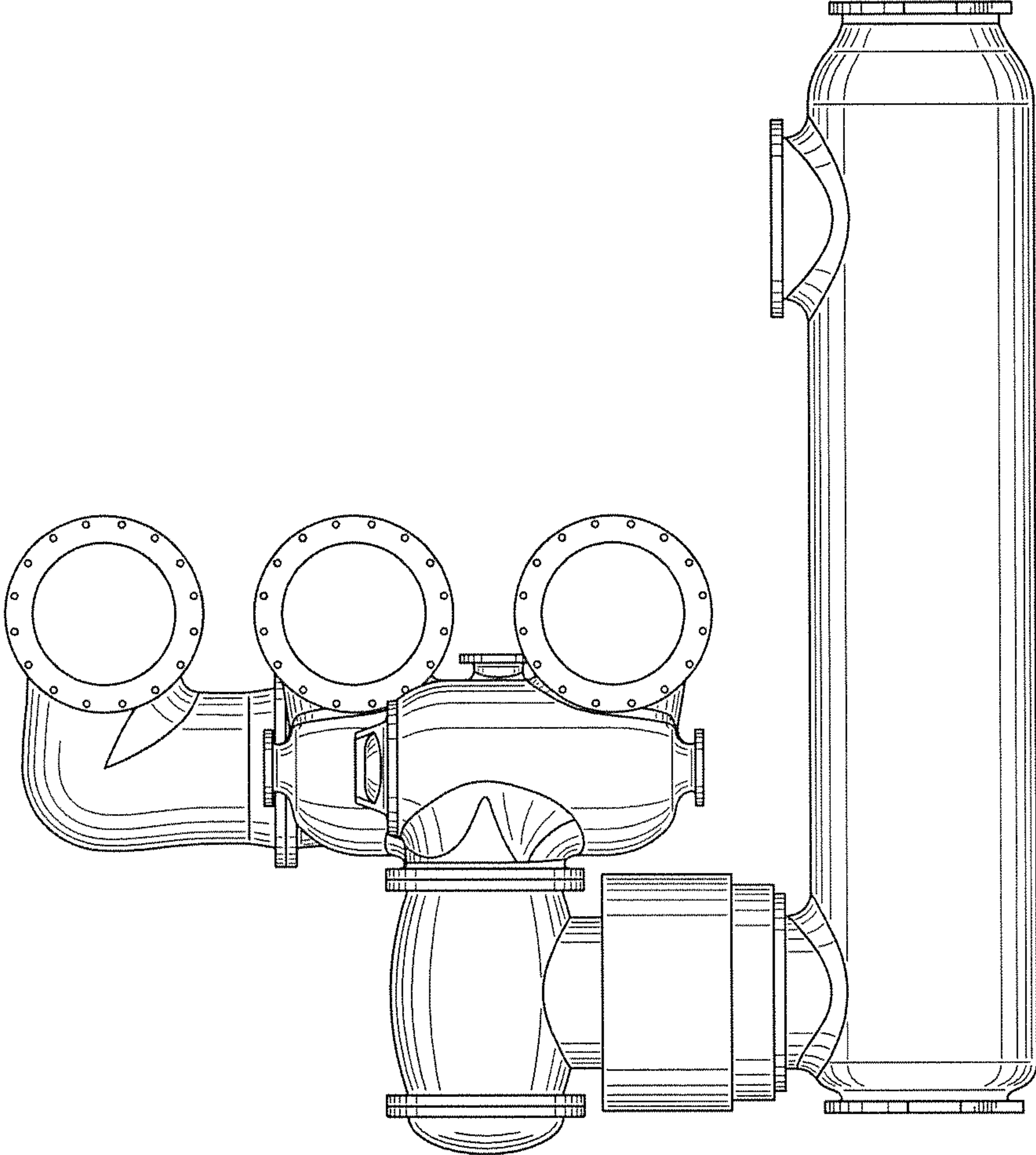


FIG. 5

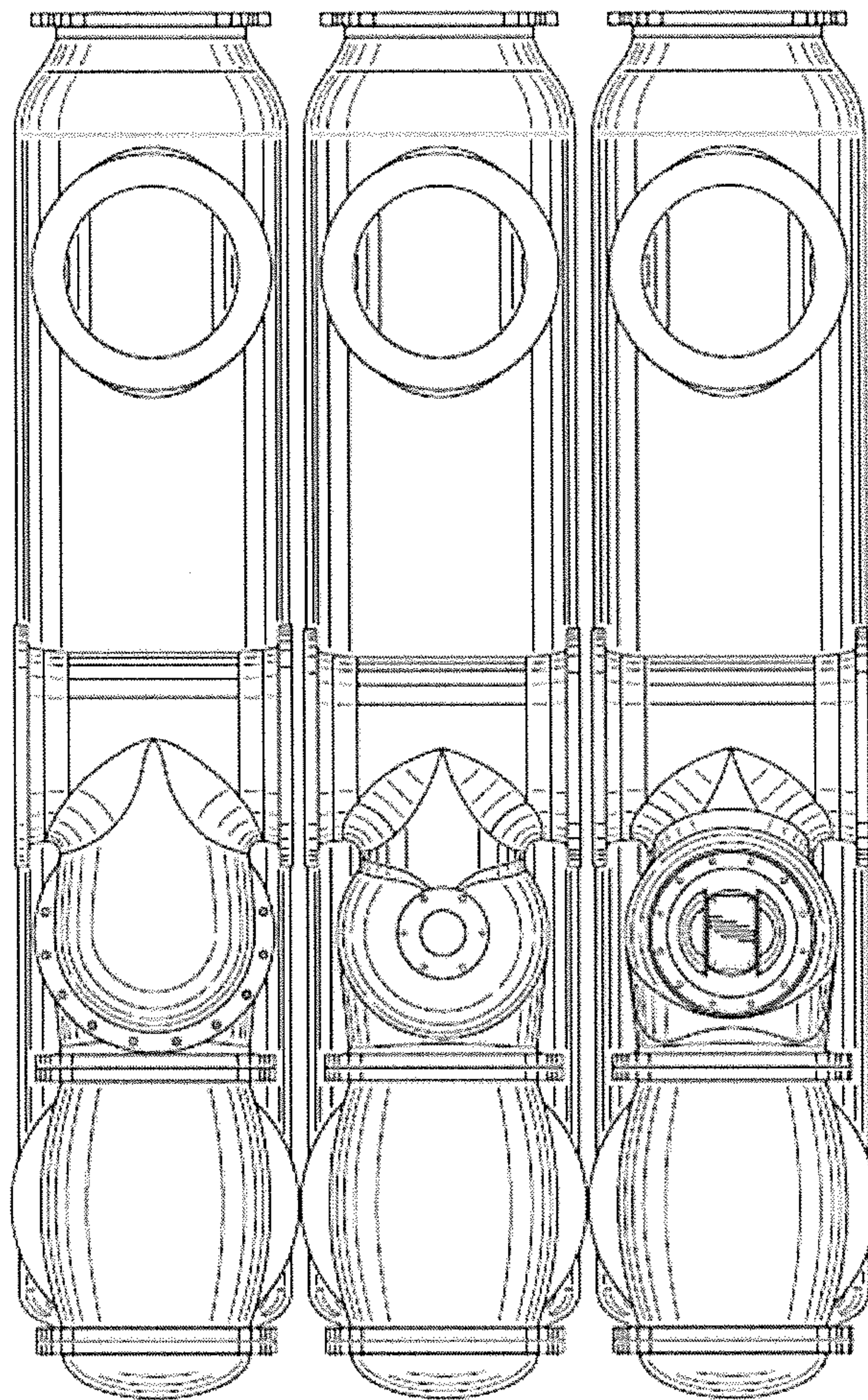


FIG. 6



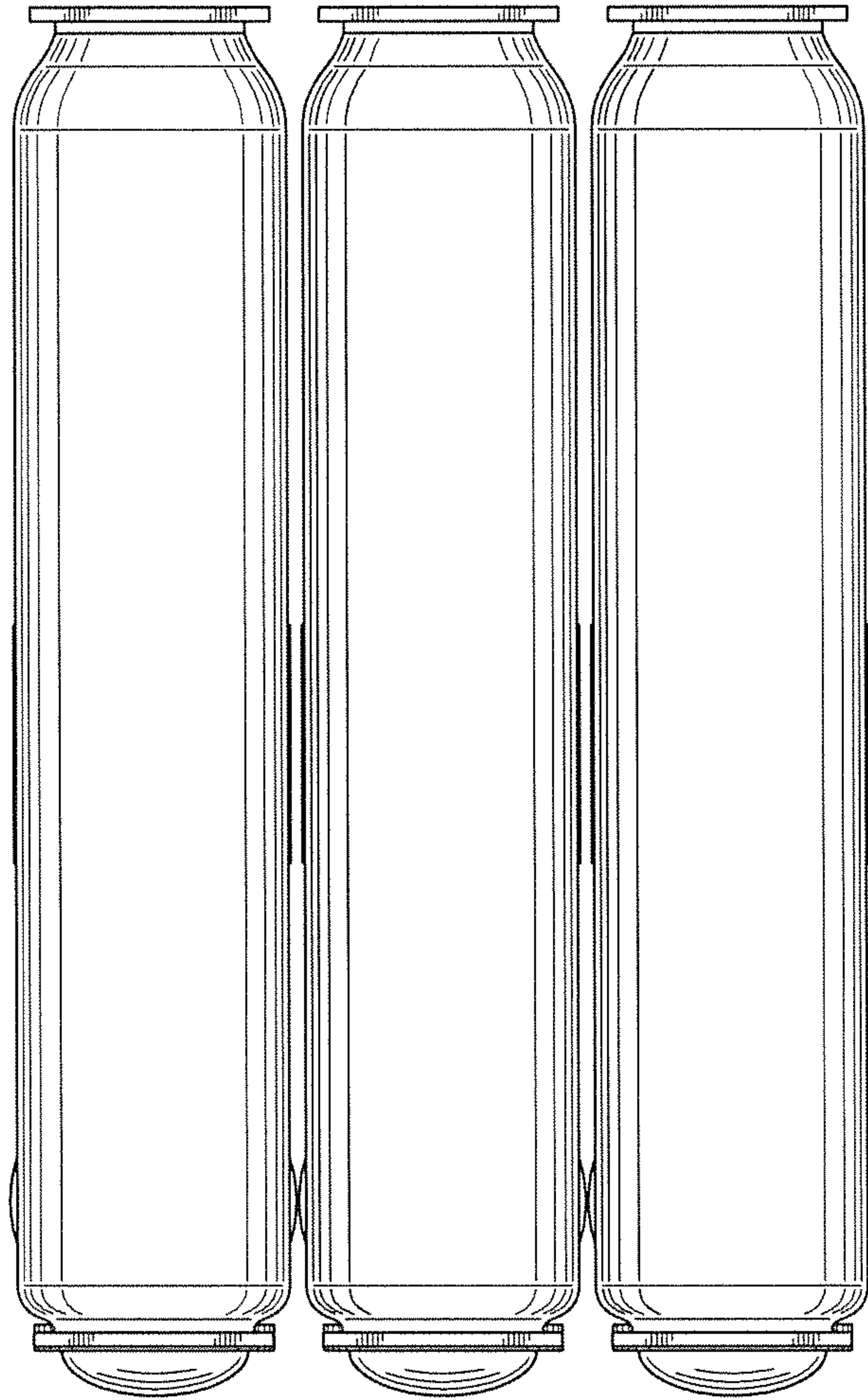


FIG. 7