



US00D703150S

(12) **United States Design Patent**
Payne

(10) **Patent No.:** **US D703,150 S**
(45) **Date of Patent:** **** Apr. 22, 2014**

- (54) **CONDUCTIVE TRACE**
- (71) Applicant: **Payne Magnetics Inc.**, Covina, CA (US)
- (72) Inventor: **Jon S. Payne**, Calabasas, CA (US)
- (73) Assignee: **Payne Magnetics Inc.**, Covina, CA (US)
- (**) Term: **14 Years**
- (21) Appl. No.: **29/455,622**
- (22) Filed: **May 22, 2013**
- (51) **LOC (10) Cl.** **13-03**
- (52) **U.S. Cl.**
USPC **D13/154**
- (58) **Field of Classification Search**
USPC D13/133, 146, 147, 148, 154, 184, 199;
439/271, 272, 277, 839, 849-850, 852,
439/862, 870, 877, 884-885, 887-891, 927
See application file for complete search history.

(56) **References Cited**

U.S. PATENT DOCUMENTS

| | | | | |
|--------------|---------|----------------|-------|---------|
| D213,963 S * | 4/1969 | Dinkel | | D13/154 |
| D516,523 S * | 3/2006 | Kondas | | D13/154 |
| D524,758 S * | 7/2006 | Sweeney | | D13/154 |
| D552,559 S * | 10/2007 | Sanroma et al. | | D13/154 |
| D615,494 S * | 5/2010 | Yang | | D13/120 |

* cited by examiner

Primary Examiner — Daniel Bui
(74) *Attorney, Agent, or Firm* — Steptoe & Johnson LLP

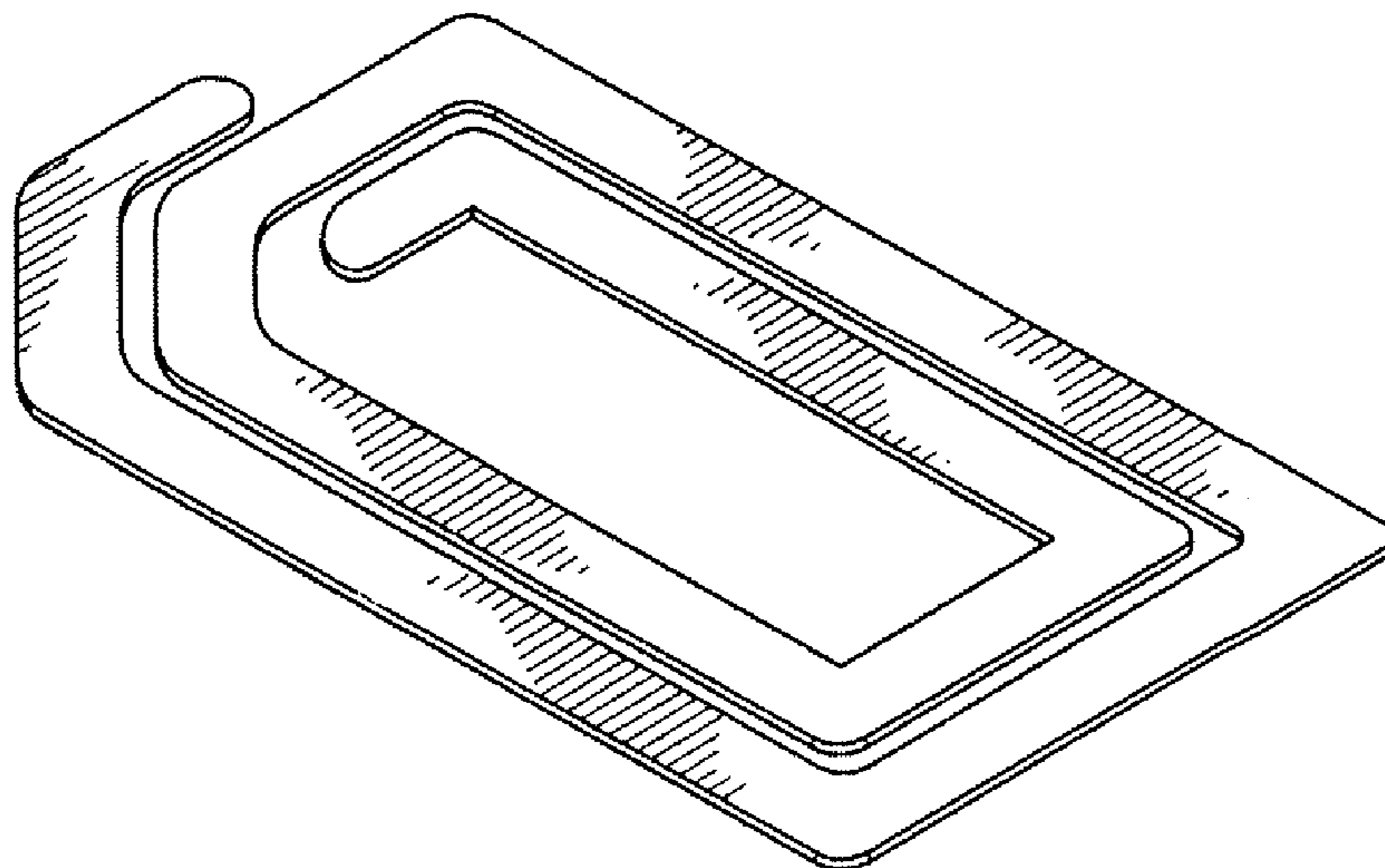
(57) **CLAIM**
The ornamental design for a conductive trace, as shown and described.

DESCRIPTION

FIG. 1 is a top, left, and rear perspective view of a first embodiment of a conductive trace, showing my new design; FIG. 2 is a top plan view thereof; FIG. 3 is a left side elevation view thereof; FIG. 4 is a bottom plan view thereof; FIG. 5 is a right side elevation view thereof; FIG. 6 is a front elevation view thereof; FIG. 7 is a rear elevation view thereof; FIG. 8 is a top, left, and rear perspective view of a second embodiment of a conductive trace, showing my new design; FIG. 9 is a top plan view thereof; FIG. 10 is a left side elevation thereof; FIG. 11 is a bottom plan view; thereof; FIG. 12 is a right side elevation view thereof; FIG. 13 is a front elevation view thereof; and, FIG. 14 is a rear elevation view thereof.

The surface shading illustrated in the drawings is provided merely to highlight the contour of design; it is not intended to be illustrative of texture or gloss.

1 Claim, 2 Drawing Sheets



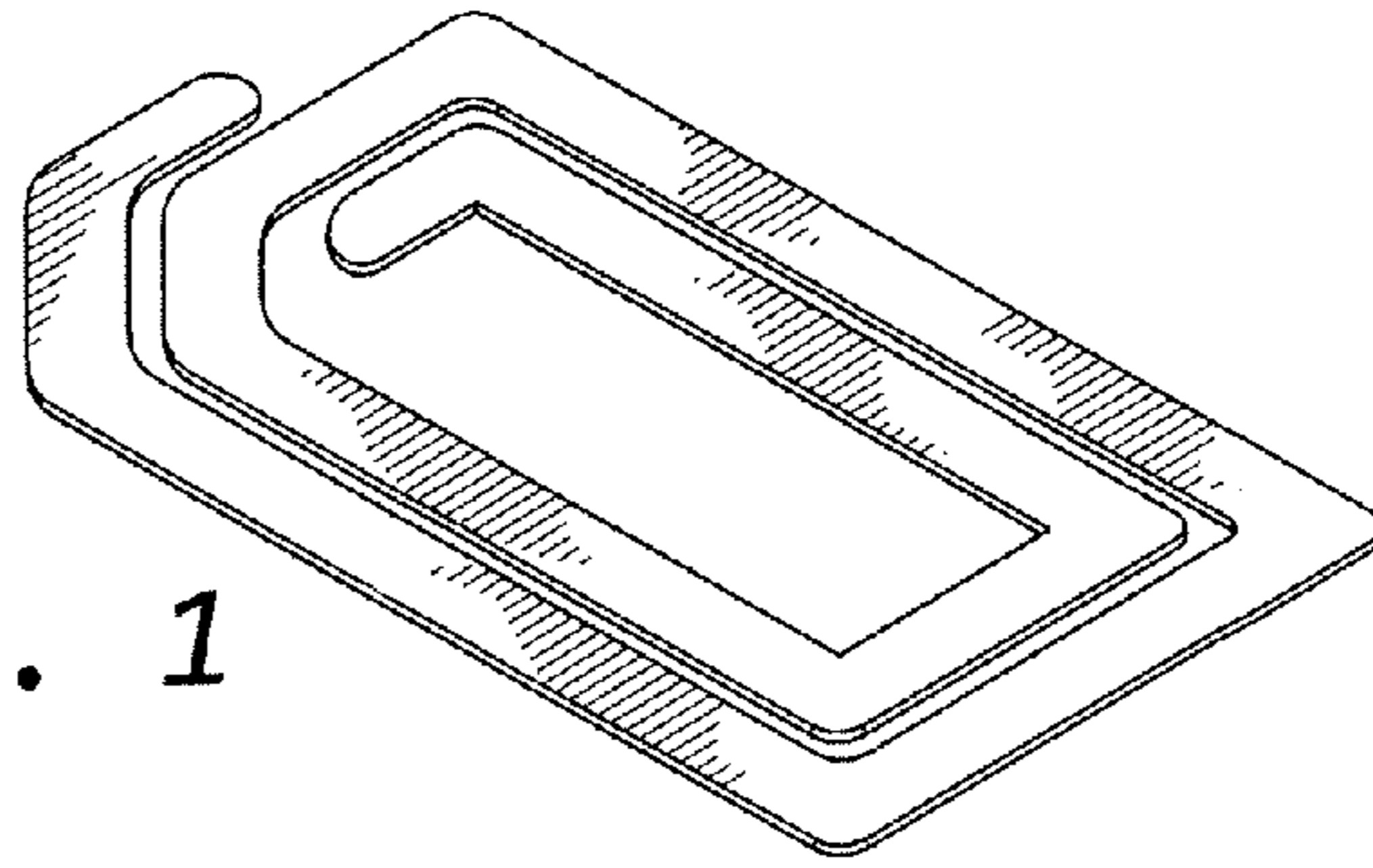


FIG. 1

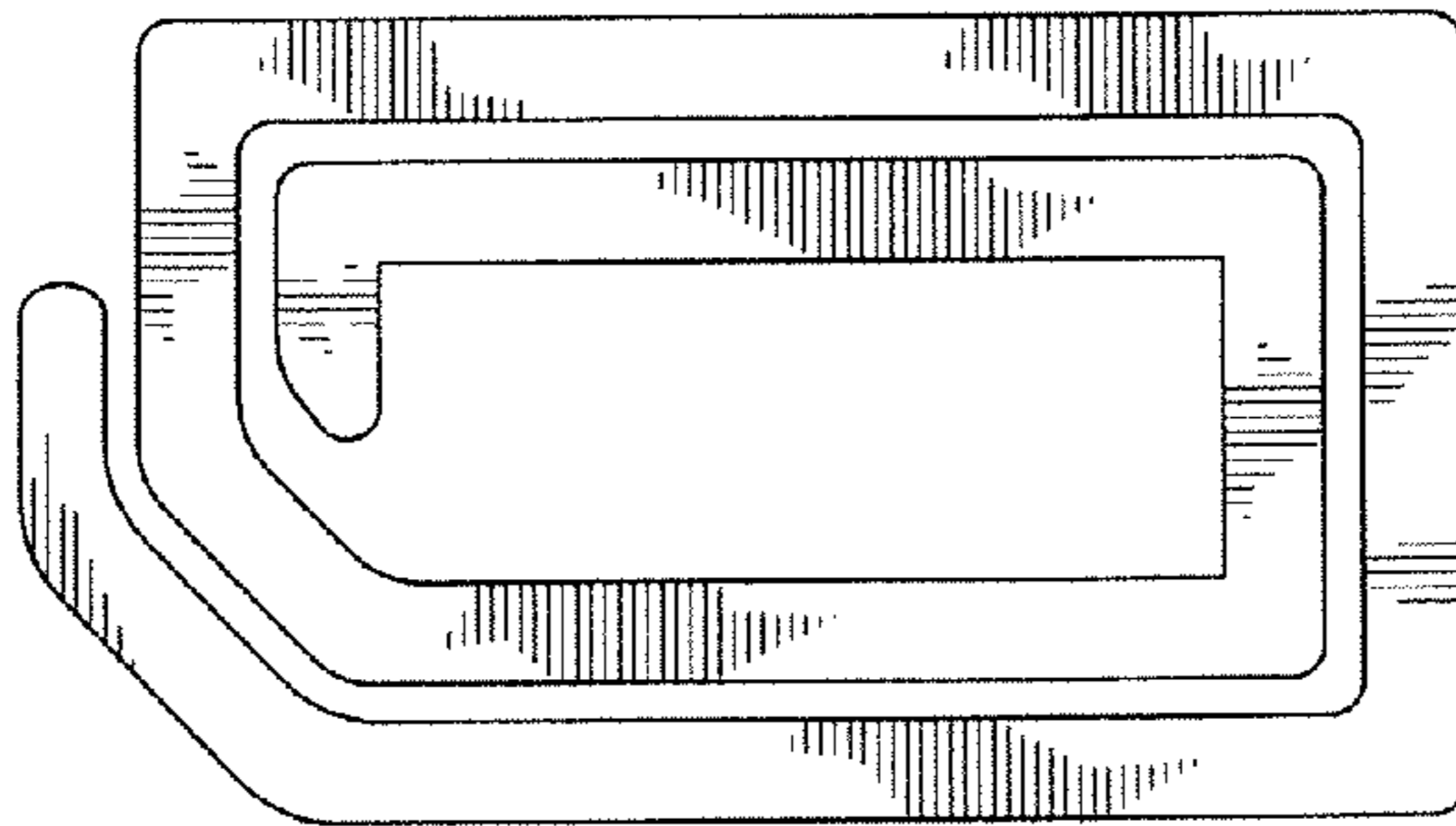


FIG. 2

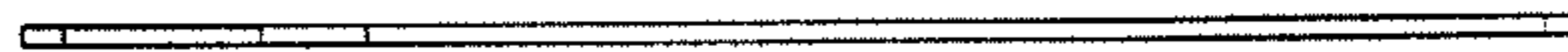


FIG. 3

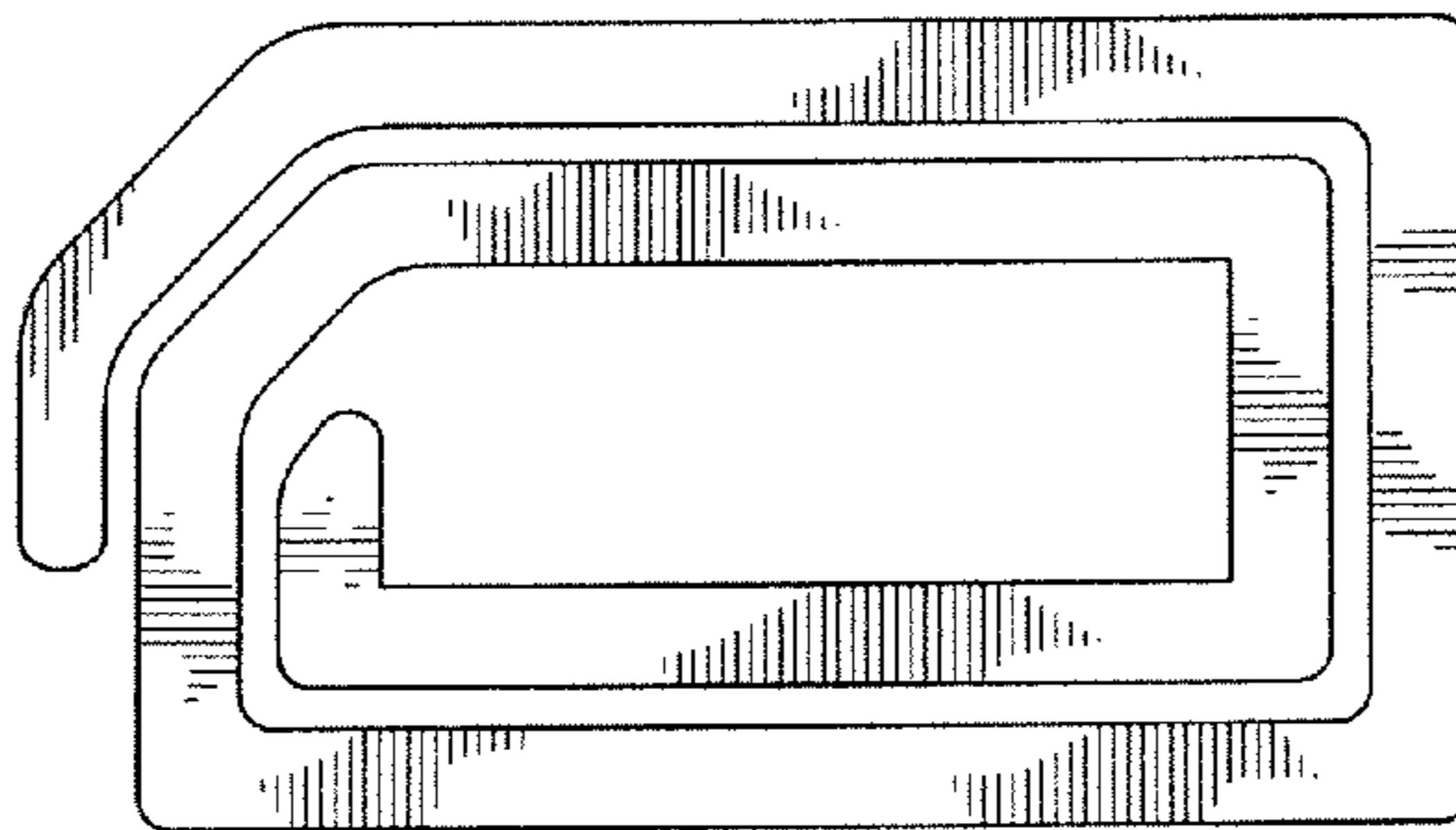


FIG. 4

FIG. 6

FIG. 7

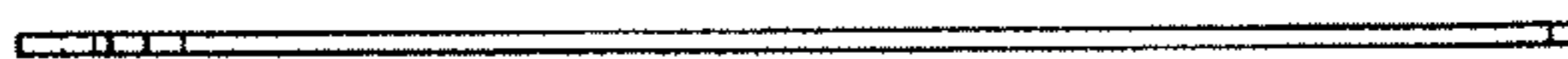


FIG. 5

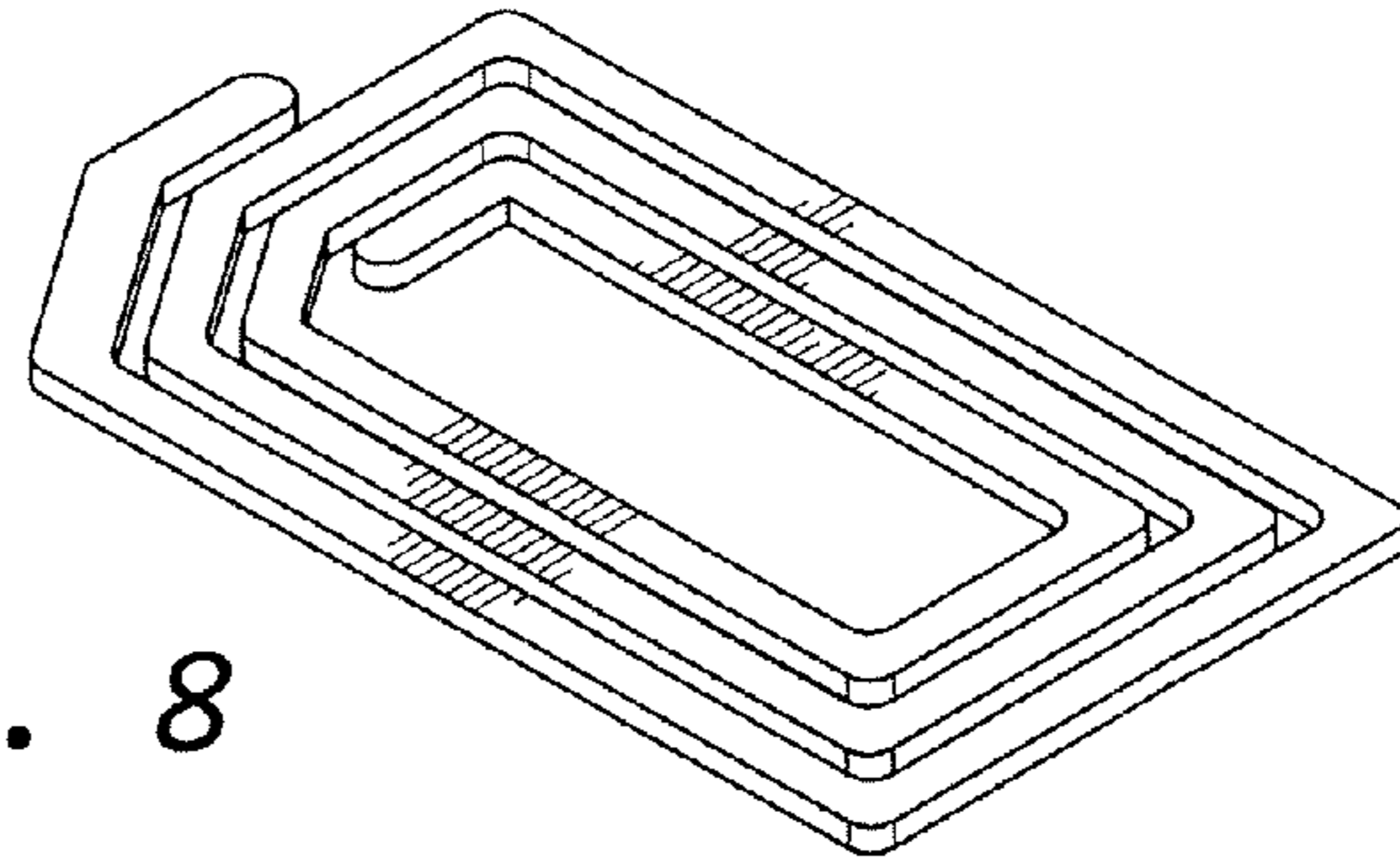


FIG. 8

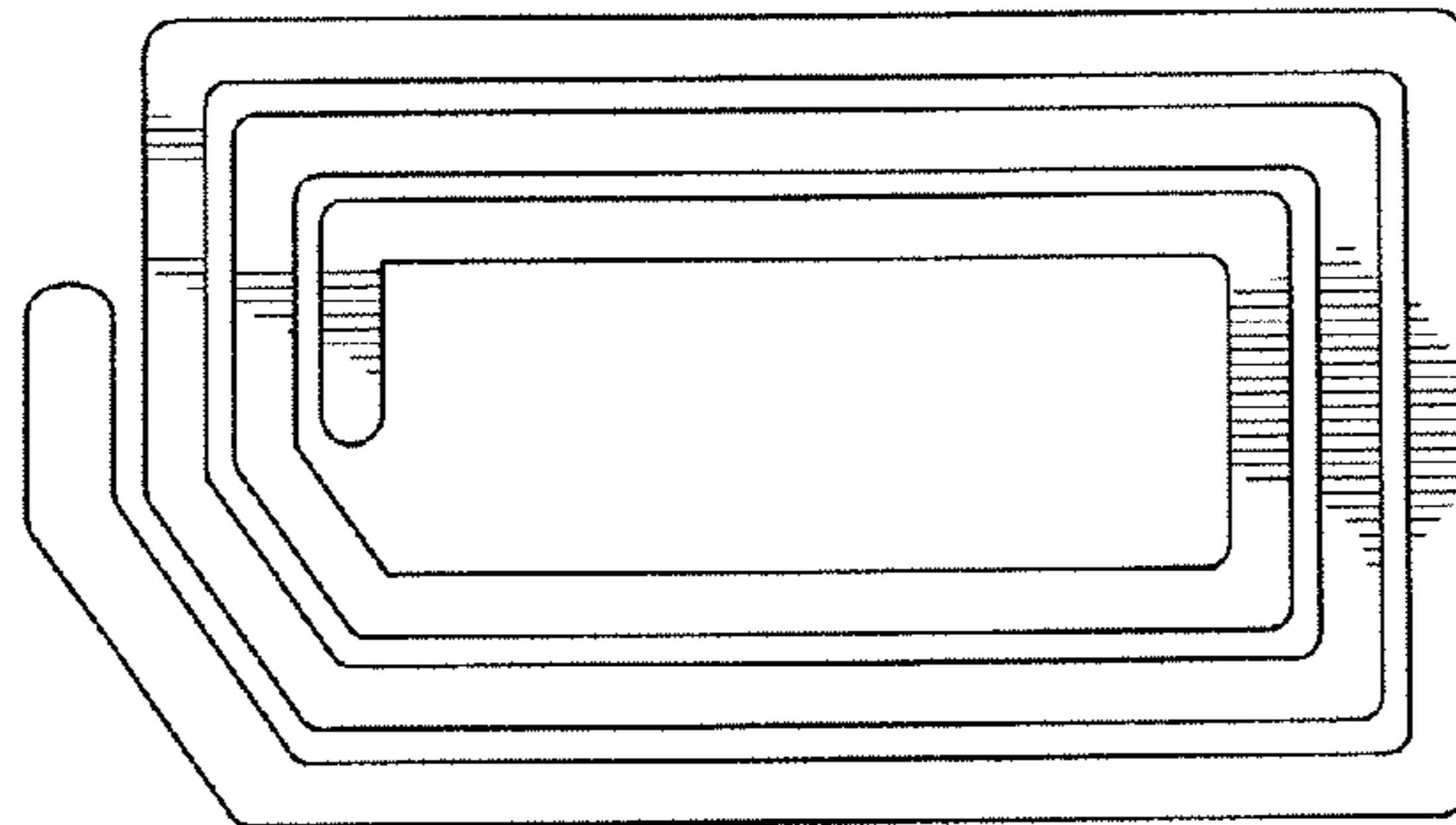


FIG. 9

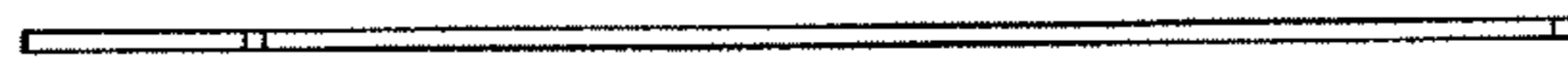


FIG. 10

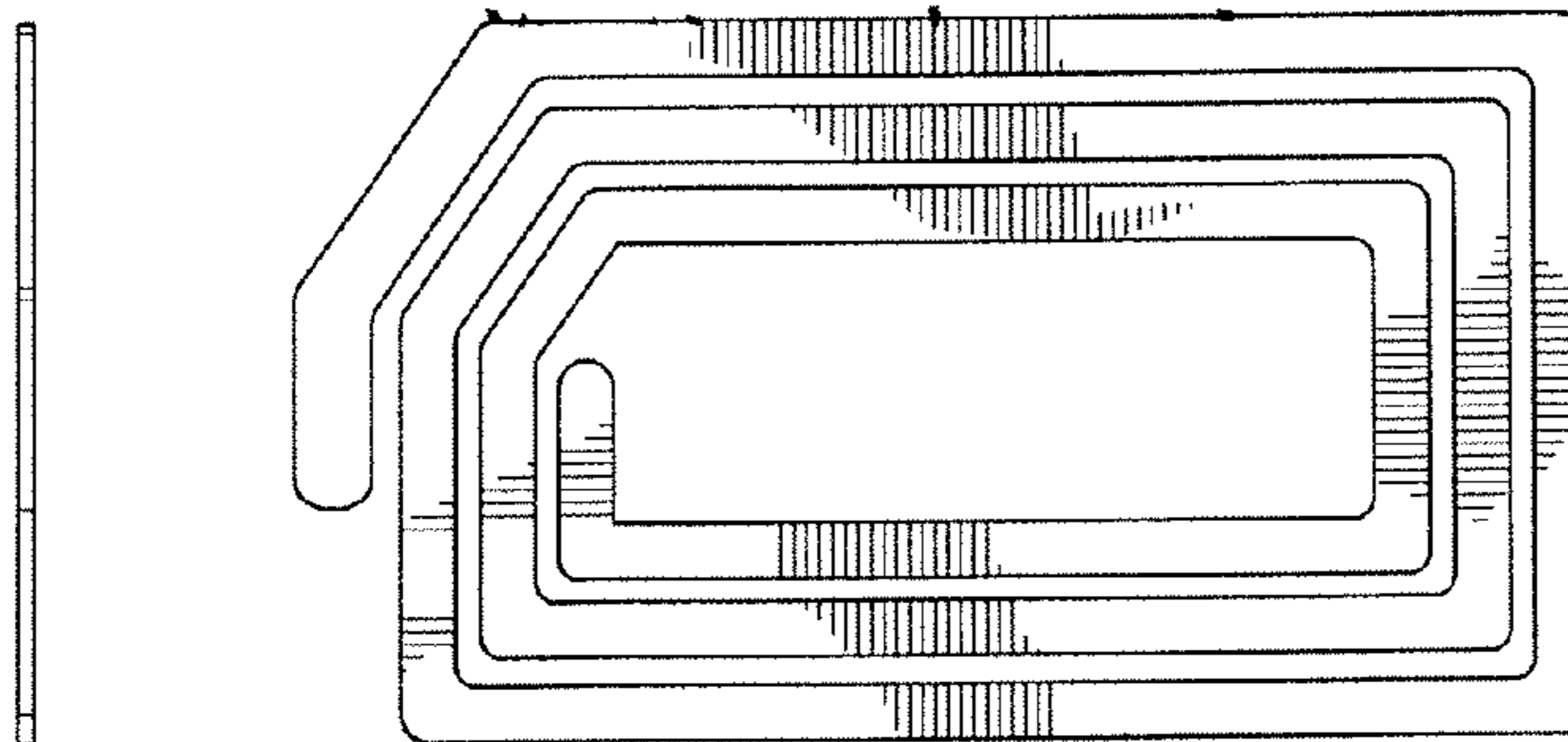


FIG. 11

FIG. 13

FIG. 14

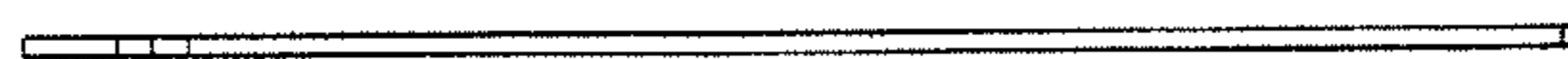


FIG. 12