



US00D703148S

(12) **United States Design Patent**
Lee et al.

(10) **Patent No.:** **US D703,148 S**

(45) **Date of Patent:** **** Apr. 22, 2014**

(54) **PLUG HOUSING**

(71) Applicants: **Noel Lee**, Las Vegas, NV (US); **Tim Pryde**, San Francisco, CA (US); **Kendrew Lee**, Tsing Yi (HK); **Minki Bang**, Daly City, CA (US)

(72) Inventors: **Noel Lee**, Las Vegas, NV (US); **Tim Pryde**, San Francisco, CA (US); **Kendrew Lee**, Tsing Yi (HK); **Minki Bang**, Daly City, CA (US)

(73) Assignee: **Monster, LLC**, Las Vegas, NV (US)

(**) Term: **14 Years**

(21) Appl. No.: **29/440,839**

(22) Filed: **Dec. 27, 2012**

(51) **LOC (10) Cl.** **13-03**

(52) **U.S. Cl.**
USPC **D13/154**

(58) **Field of Classification Search**
USPC D13/133, 146, 147, 154, 184, 199;
439/79, 248, 258, 274, 350, 353, 358,
439/447, 660, 607.01, 607.02, 607.04,
439/607.05, 607.17, 607.25, 607.34,
439/607.53, 677, 680, 682, 686
See application file for complete search history.

(56) **References Cited**

U.S. PATENT DOCUMENTS

D405,050 S * 2/1999 Lee D13/133
D434,009 S 11/2000 Lee
D450,296 S * 11/2001 Lee D13/133

D453,322 S * 2/2002 Lee D13/154
D456,363 S 4/2002 Lee
6,406,313 B1 * 6/2002 Victor 439/175
D496,909 S * 10/2004 D'Addario et al. D13/154
D505,390 S * 5/2005 Lee et al. D13/133
D542,225 S * 5/2007 Victor D13/154
D563,898 S * 3/2008 Lee et al. D13/154
D573,535 S * 7/2008 Victor D13/133
D579,413 S * 10/2008 Ball et al. D13/133
2012/0040568 A1 * 2/2012 Chai et al. 439/668

OTHER PUBLICATIONS

U.S. Appl. No. 29/440,841, filed Dec. 27, 2012; Lee, Noel.
U.S. Appl. No. 29/440,835, filed Dec. 27, 2012; Lee, Noel.

* cited by examiner

Primary Examiner — Thomas Johannes

(74) *Attorney, Agent, or Firm* — John Nielsen; Sentinel IP

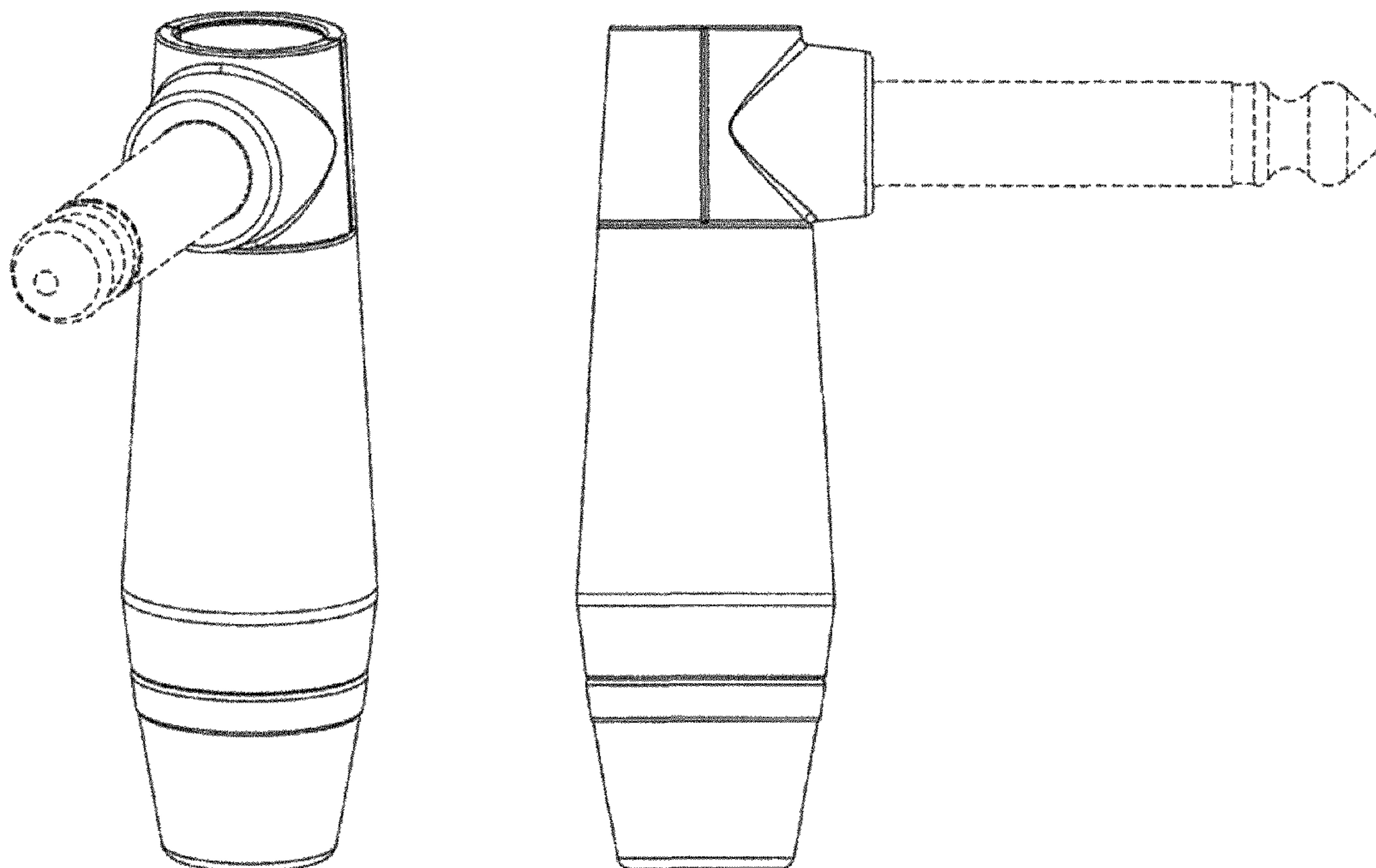
(57) **CLAIM**

The ornamental design for a plug housing, as shown and described.

DESCRIPTION

FIG. 1 is a front perspective view of a plug housing, showing our new design;
FIG. 2 is a front view thereof;
FIG. 3 is a rear view thereof;
FIG. 4 is a side view thereof;
FIG. 5 is an opposing side view thereof;
FIG. 6 is an end view thereof; and,
FIG. 7 is an opposing end view thereof.
The broken lines showing the environment in the Figures show unclaimed subject matter only and form no part of the claimed design.

1 Claim, 2 Drawing Sheets



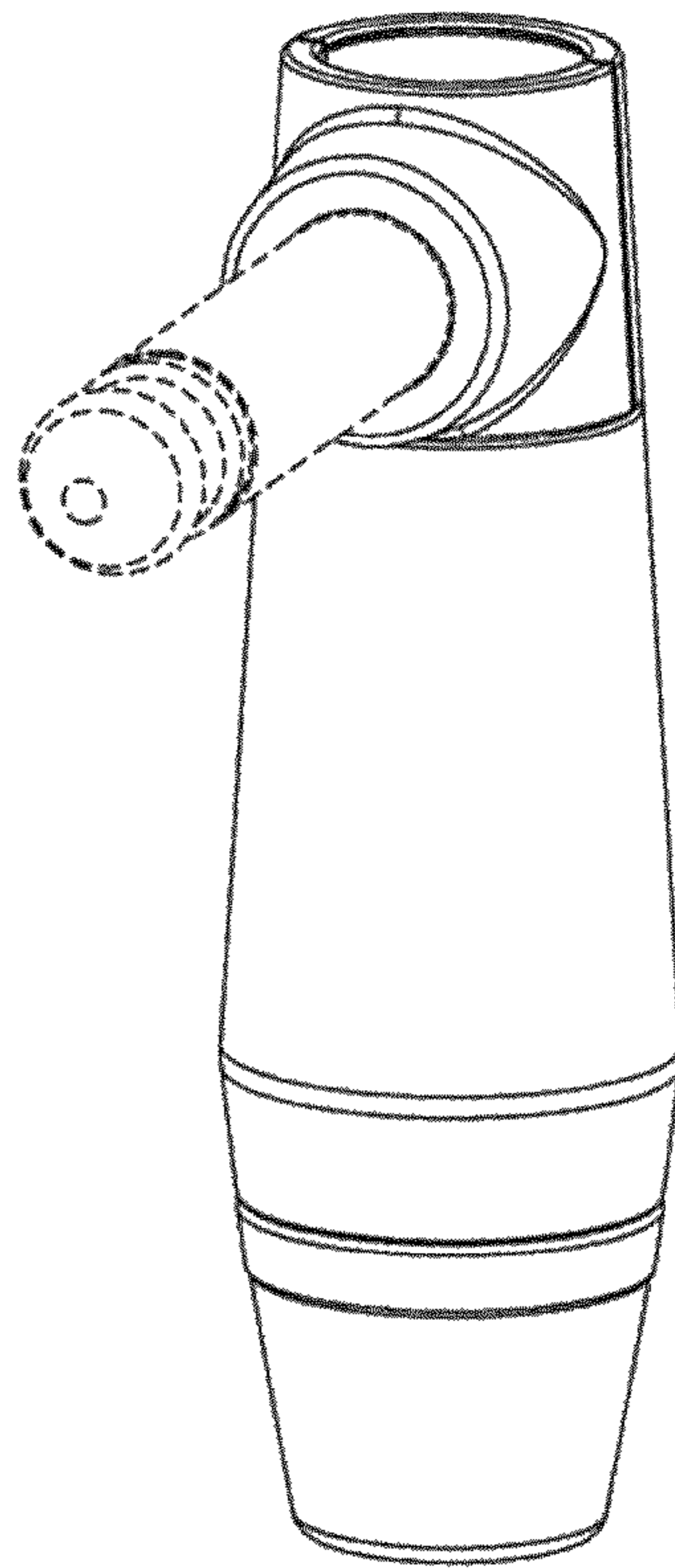


FIG. 1

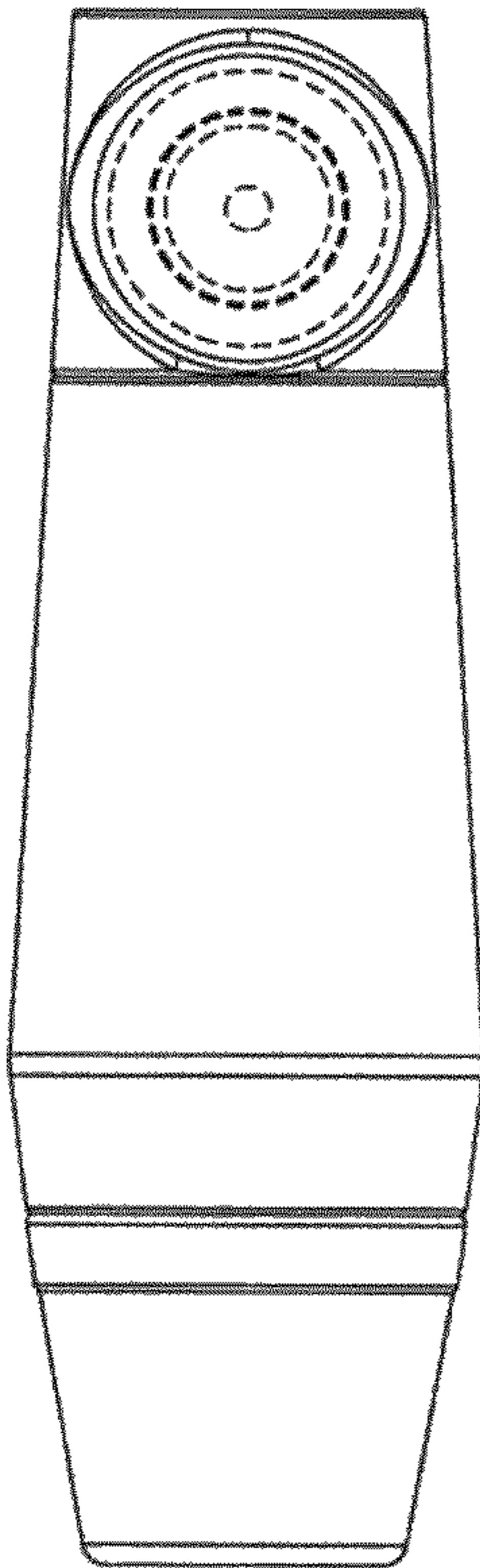


FIG. 2

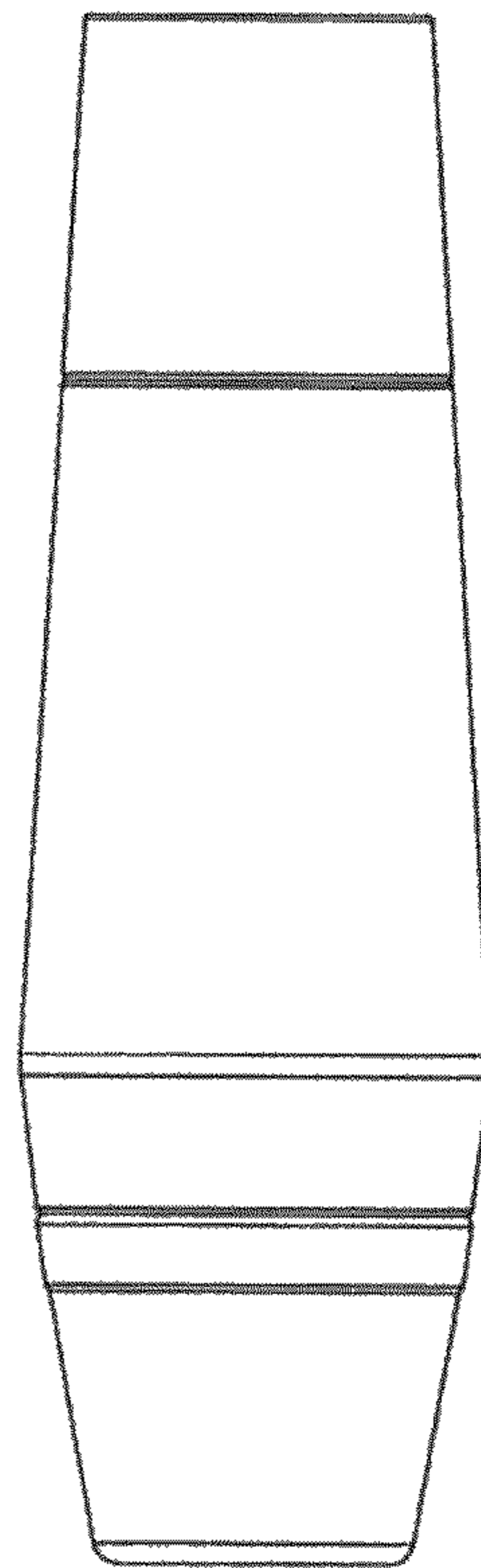


FIG. 3

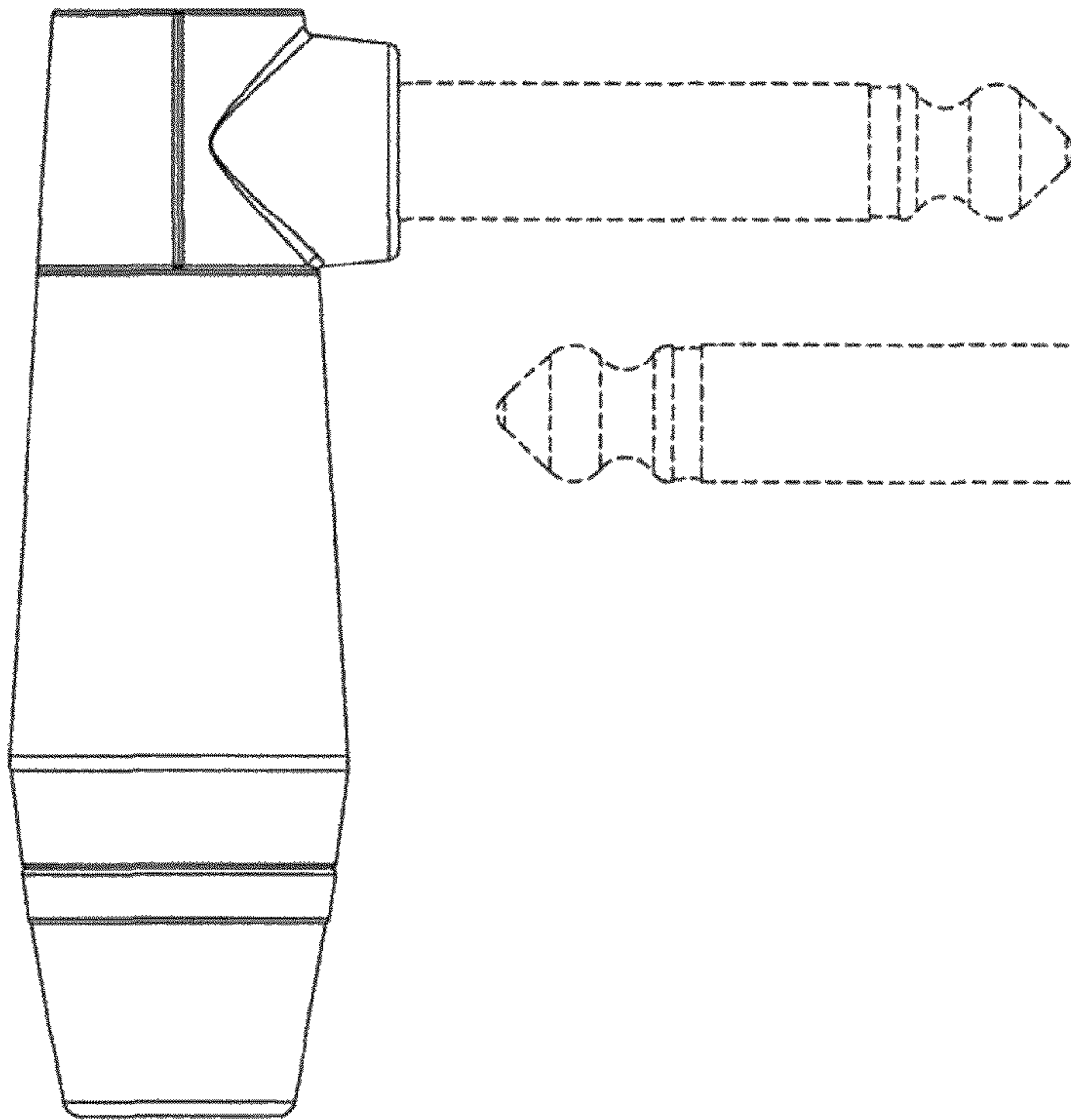


FIG. 4

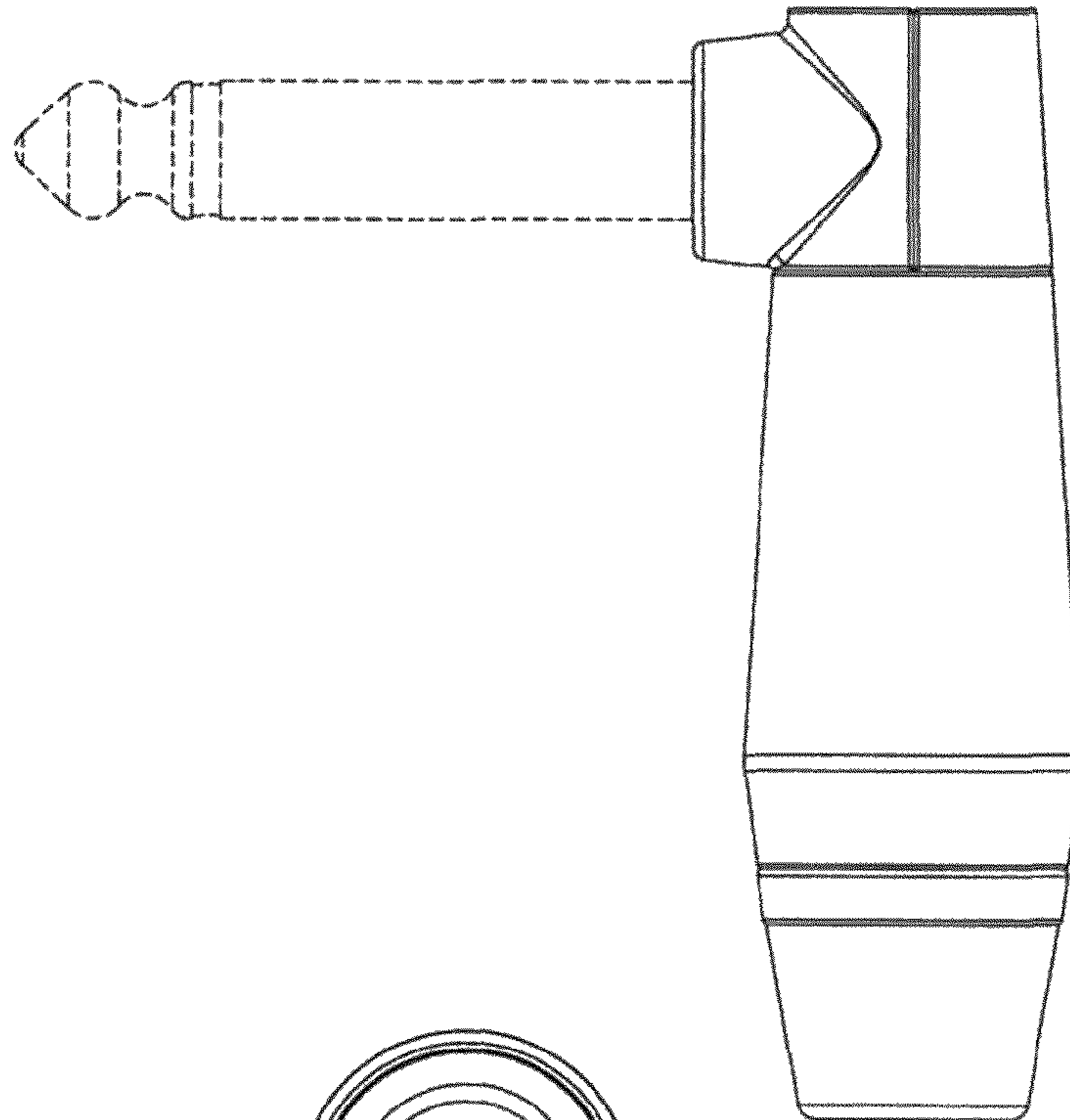


FIG. 5

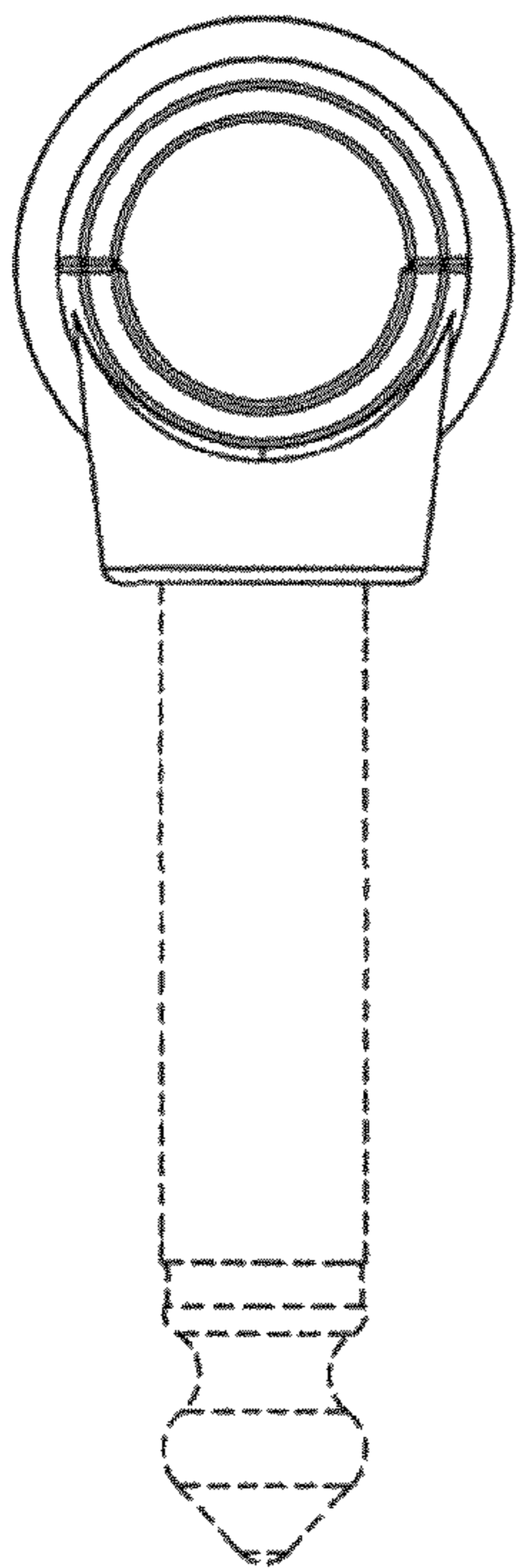


FIG. 6

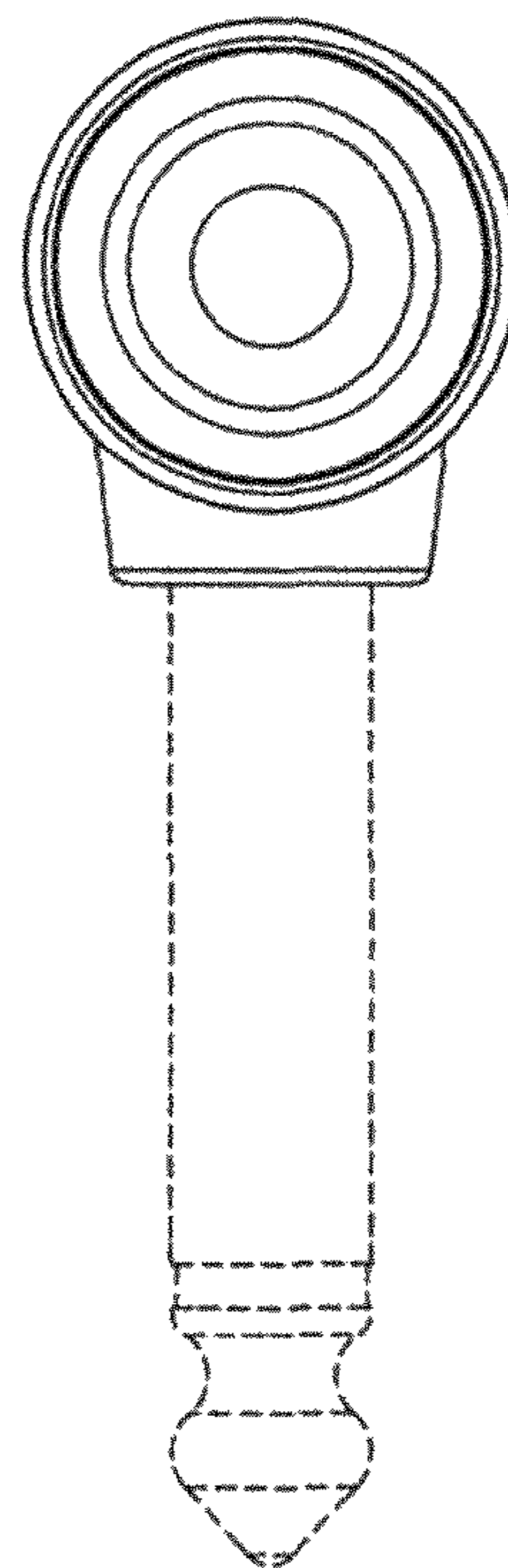


FIG. 7