



US00D703147S

(12) **United States Design Patent**
Hanson

(10) **Patent No.:** **US D703,147 S**

(45) **Date of Patent:** **** Apr. 22, 2014**

(54) **COAXIAL CABLE PORT TERMINATOR**

(75) Inventor: **Brian K. Hanson**, East Syracuse, NY
(US)

(73) Assignee: **PPC Broadband, Inc.**, East Syracuse,
NY (US)

(**) Term: **14 Years**

(21) Appl. No.: **29/396,592**

(22) Filed: **Jul. 1, 2011**

(51) **LOC (10) Cl.** **13-03**

(52) **U.S. Cl.**
USPC **D13/151**

(58) **Field of Classification Search**
USPC D13/151, 133, 149, 154, 184, 199;
439/13, 20, 22, 133, 135, 246, 306,
439/321, 322, 480, 476.1, 578, 583, 584,
439/585, 668, 805

See application file for complete search history.

(56) **References Cited**

U.S. PATENT DOCUMENTS

D437,826 S *	2/2001	Montena	D13/133
D468,696 S *	1/2003	Montena	D13/151
6,733,336 B1 *	5/2004	Montena et al.	439/578
D495,661 S	9/2004	Chawgo		
D495,662 S	9/2004	Chawgo		

D495,663 S	9/2004	Chawgo		
D504,402 S *	4/2005	Montena	D13/154
D601,966 S *	10/2009	Shaw	D13/151
D617,286 S *	6/2010	Montena	D13/154
D626,920 S *	11/2010	Purdy et al.	D13/151
2008/0064259 A1 *	3/2008	Amidon	439/578
2010/0112855 A1 *	5/2010	Paynter et al.	439/584

* cited by examiner

Primary Examiner — Derrick Holland

(74) *Attorney, Agent, or Firm* — Hiscock & Barclay, LLP

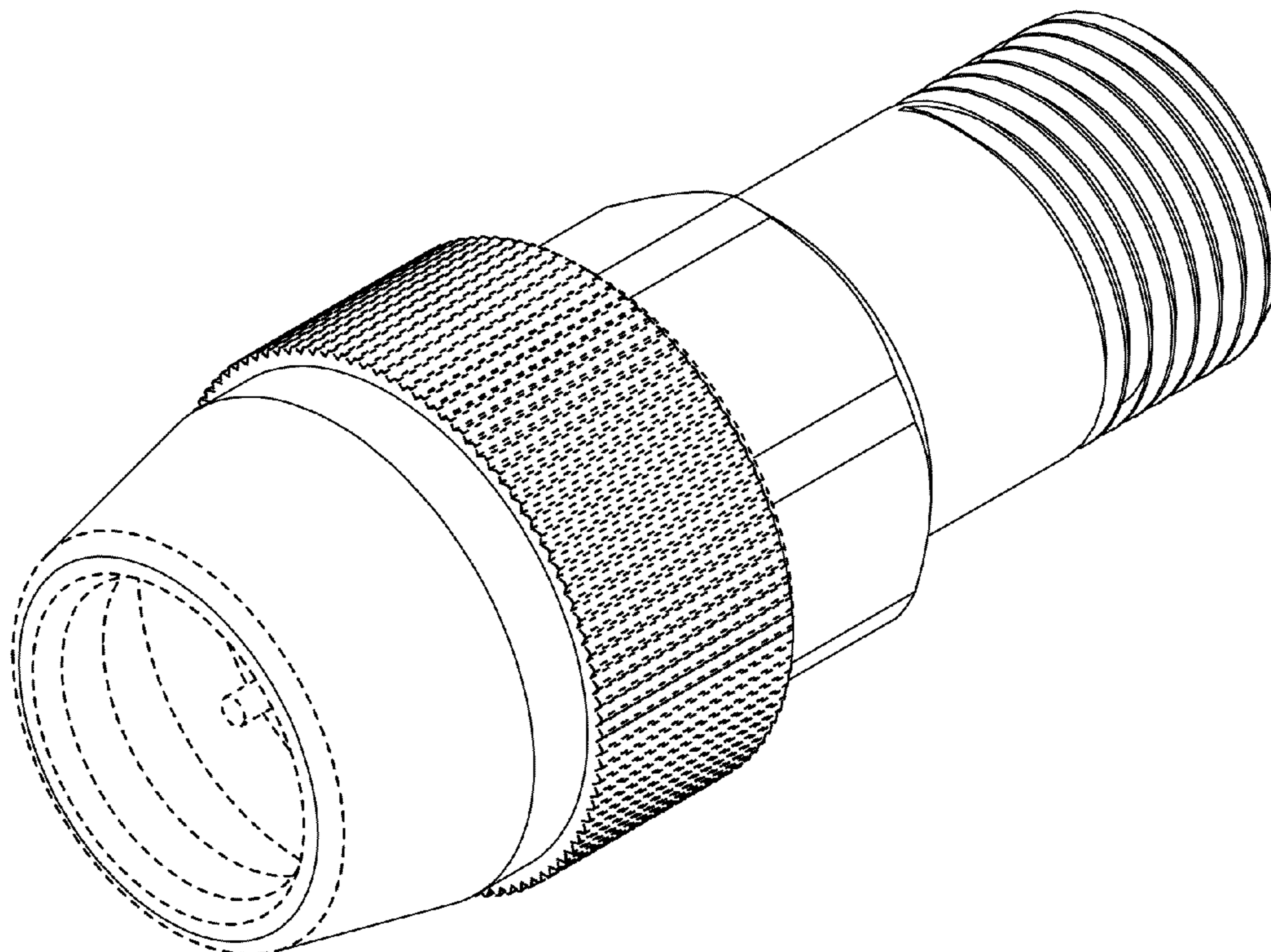
(57) **CLAIM**

The ornamental design for a coaxial cable port terminator, as shown and described.

DESCRIPTION

FIG. 1 is a perspective view of a coaxial cable port terminator showing my new design;
FIG. 2 is a top plan view thereof; the claimed portion of which is a mirror image to a bottom plan view;
FIG. 3 is a left side elevation view thereof, the claimed portion of which is a mirror image to a right side elevation view;
FIG. 4 is a front elevation view thereof; and,
FIG. 5 is a back elevation view thereof.
The broken lines shown represent unclaimed subject matter and form no part of the claimed design.

1 Claim, 3 Drawing Sheets



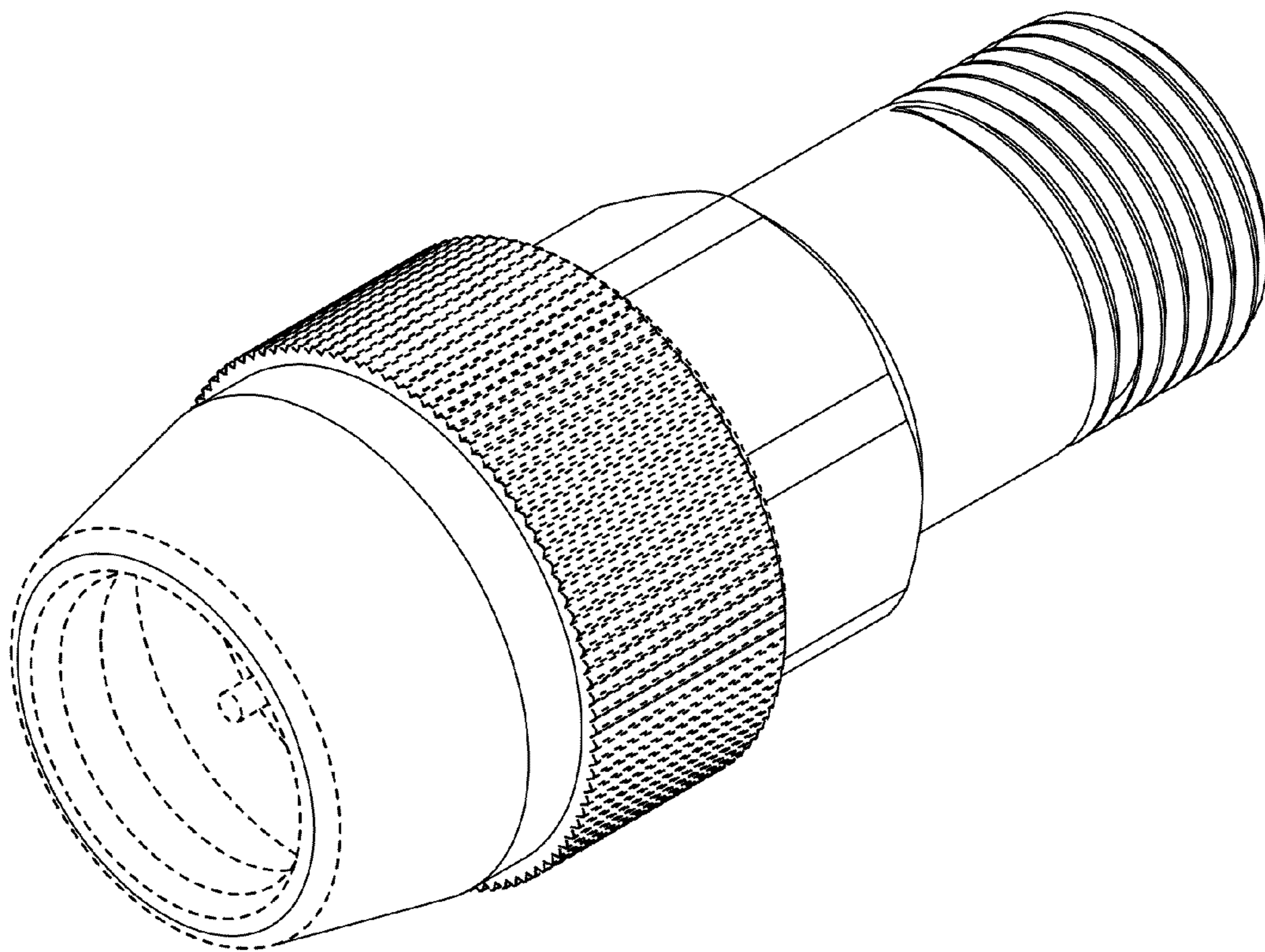


FIG. 1

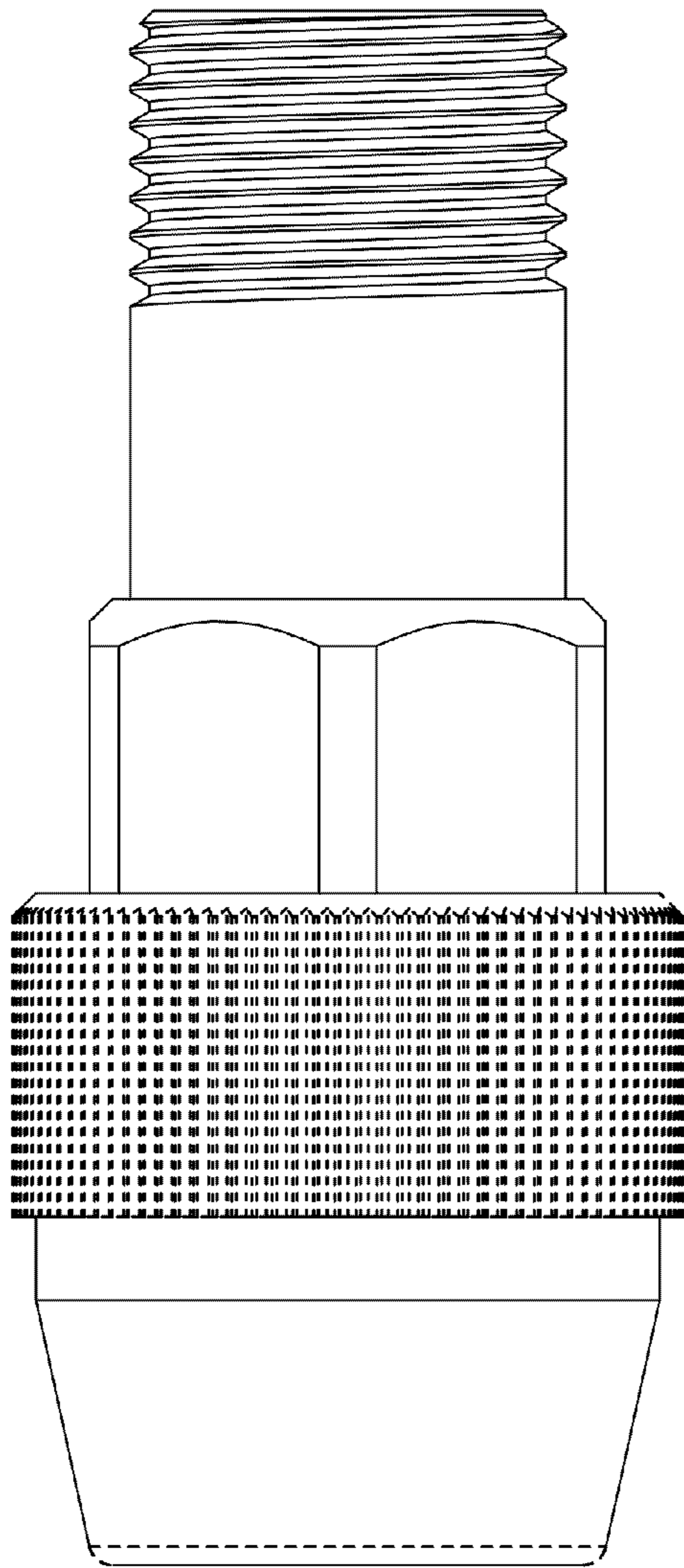


FIG. 2

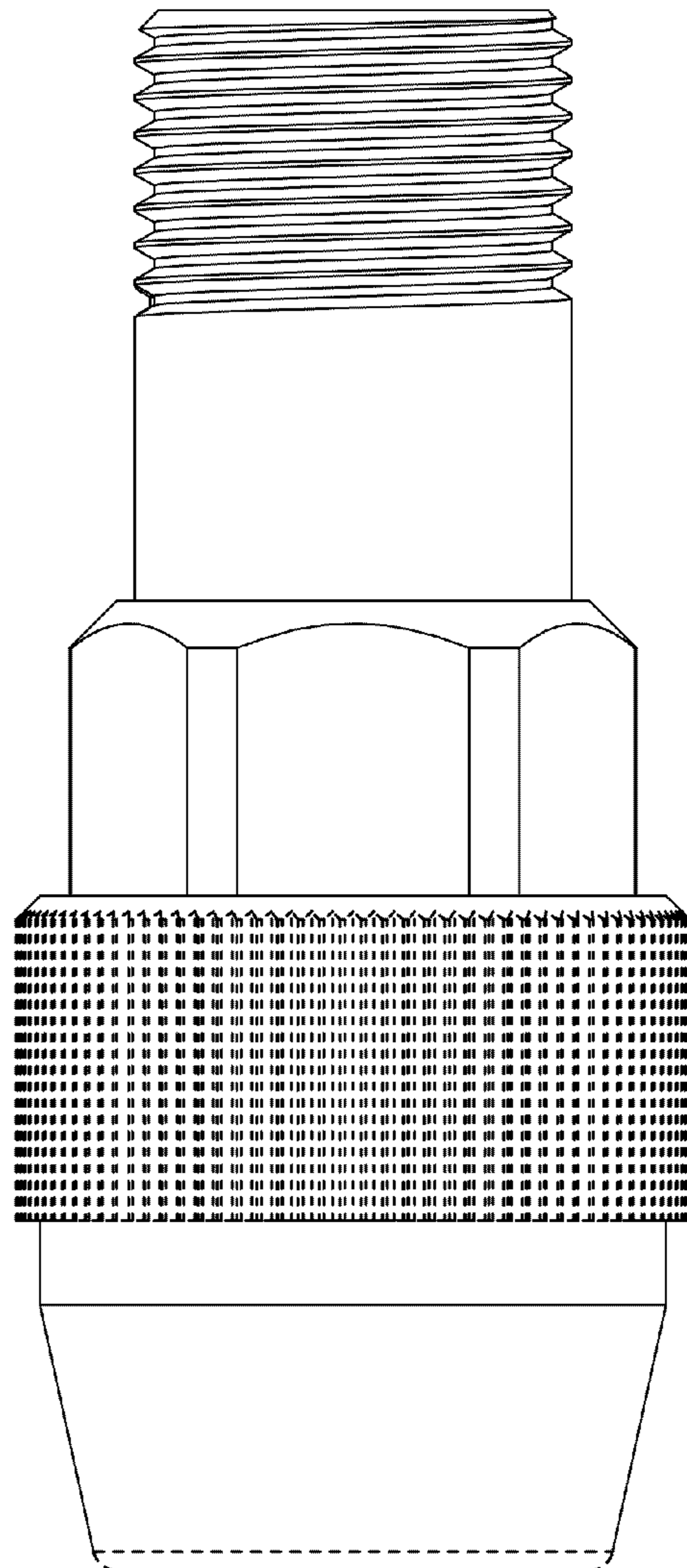


FIG. 3

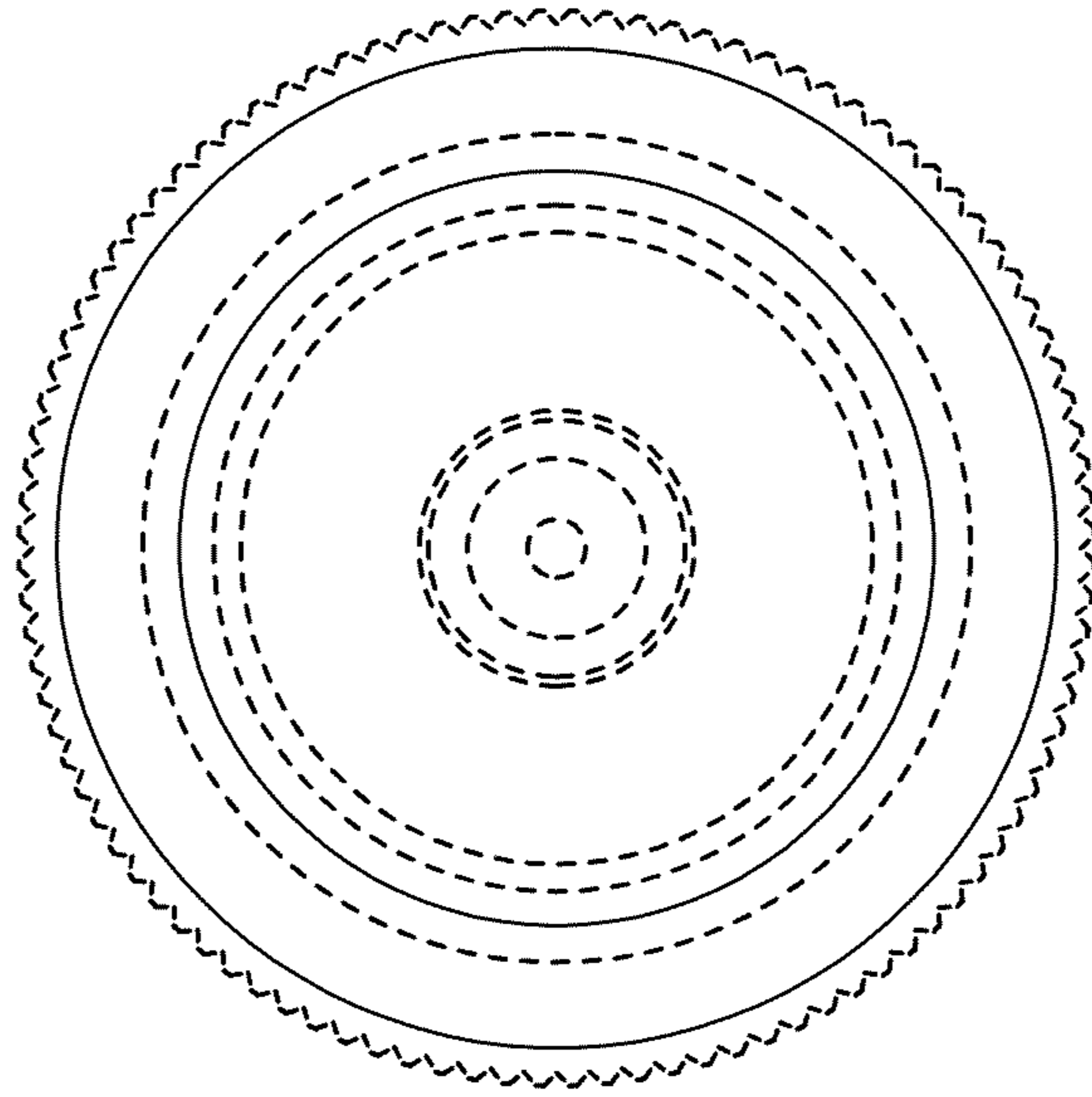


FIG. 4

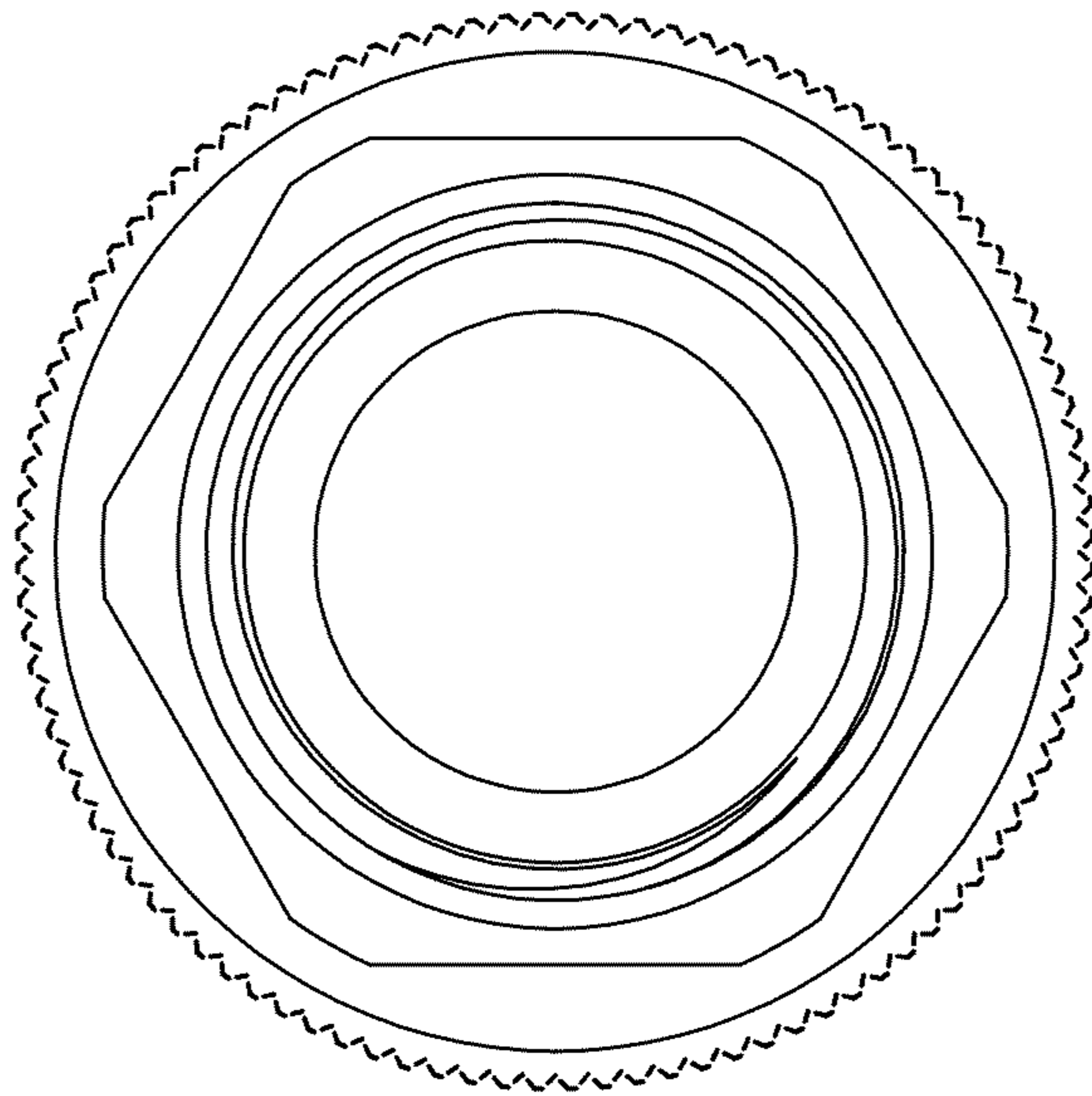


FIG. 5