



US00D703145S

(12) **United States Design Patent**
Akana et al.

(10) **Patent No.:** **US D703,145 S**
(45) **Date of Patent:** **** Apr. 22, 2014**

(54) **CONNECTOR**

(71) Applicant: **Apple Inc.**, Cupertino, CA (US)

(72) Inventors: **Jody Akana**, San Francisco, CA (US);
Bartley K. Andre, Menlo Park, CA (US);
Jeremy Bataillou, San Francisco, CA (US);
Daniel J. Coster, San Francisco, CA (US);
Daniele De Iuliis, San Francisco, CA (US);
M. Evans Hankey, San Francisco, CA (US);
Julian Hoenig, San Francisco, CA (US);
Richard P. Howarth, San Francisco, CA (US);
Jonathan P. Ive, San Francisco, CA (US);
Duncan Robert Kerr, Cupertino, CA (US);
Shin Nishibori, Kailua, HI (US);
Matthew Dean Rohrbach, San Francisco, CA (US);
Peter Russell-Clarke, San Francisco, CA (US);
Christopher J. Stringer, Woodside, CA (US);
Eugene Antony Whang, San Francisco, CA (US);
Rico Zörkendörfer, San Francisco, CA (US)

(73) Assignee: **Apple Inc.**, Cupertino, CA (US)

(**) Term: **14 Years**

(21) Appl. No.: **29/455,173**

(22) Filed: **May 17, 2013**

Related U.S. Application Data

(63) Continuation of application No. 29/426,587, filed on Jul. 6, 2012, now Pat. No. Des. 684,539.

(51) **LOC (10) Cl.** **13-03**

(52) **U.S. Cl.**
USPC **D13/147**

(58) **Field of Classification Search**
USPC D13/133, 146, 147, 153, 154, 156, 157, D13/184, 199; D14/432, 433, 435, 435.1, D14/438; 345/156; 361/58, 814; 439/38-40, 439/66, 74, 77, 79, 129-130, 135, 146, 439/149-150, 176-177, 180, 188, 217-218, 439/225, 246, 252, 278-279, 290-291, 329, 439/344-346, 350-353, 357-358, 374, 378, 439/381, 476.1, 607.01, 607.04, 607.5, 439/607.6, 607.17, 607.21, 607.23, 607.25,

439/607.34, 607.41, 607.53, 623, 660, 668, 439/677, 678, 680, 682, 874, 883, 887, 892, 439/894

See application file for complete search history.

(56) **References Cited**

U.S. PATENT DOCUMENTS

D304,028 S 10/1989 Matsuzaki
D369,157 S 4/1996 Ohmori et al.

(Continued)

FOREIGN PATENT DOCUMENTS

WO WO 2006/074348 A1 7/2006
WO WO 2011/150403 A1 12/2011

(Continued)

OTHER PUBLICATIONS

Co-Pending U.S. Appl. No. 29/441,757, filed Jan. 9, 2013 (Not Published).

(Continued)

Primary Examiner — Daniel Bui

(74) *Attorney, Agent, or Firm* — Sterne, Kessler, Goldstein & Fox PLLC

(57) **CLAIM**

The ornamental design for a connector, as shown and described.

DESCRIPTION

FIG. 1 is a top front perspective view of a connector showing our new design;

FIG. 2 is a bottom rear perspective view thereof;

FIG. 3 is a top view thereof;

FIG. 4 is a bottom view thereof;

FIG. 5 is a side view thereof;

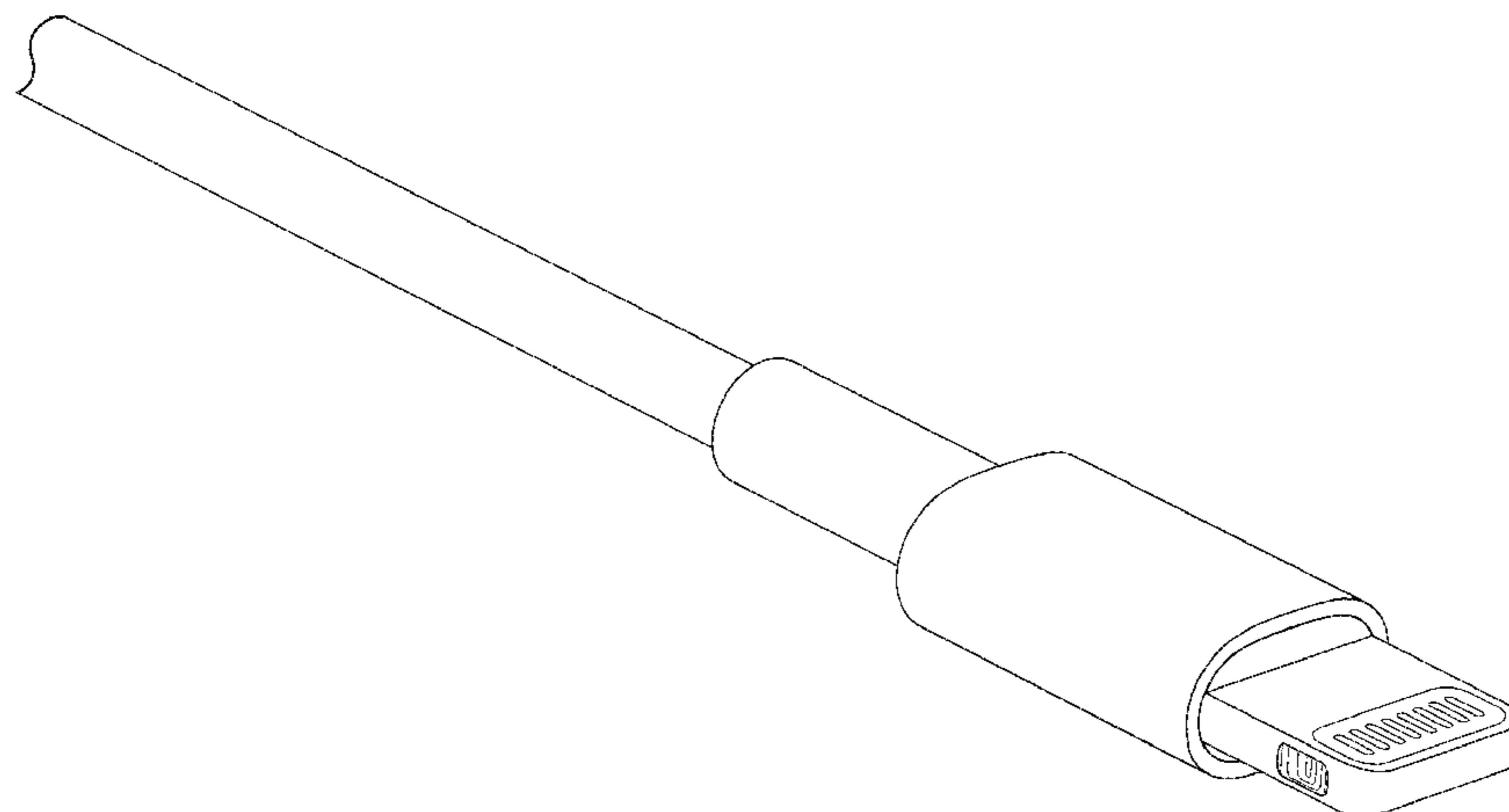
FIG. 6 is another side view thereof;

FIG. 7 is a front view thereof; and,

FIG. 8 is a rear view thereof.

The shade lines in the figures show contour and not surface ornamentation.

1 Claim, 7 Drawing Sheets



(56)

References Cited

U.S. PATENT DOCUMENTS

D399,047 S 10/1998 Yoshida et al.
 6,137,710 A 10/2000 Iwasaki et al.
 D452,245 S 12/2001 Wallace et al.
 D452,246 S 12/2001 Wallace et al.
 6,483,038 B2 11/2002 Lee et al.
 D487,747 S 3/2004 Yu et al.
 D525,977 S 8/2006 Yao
 7,094,089 B2 8/2006 Andre et al.
 D552,099 S 10/2007 Nishizawa et al.
 7,354,312 B2 4/2008 Chuang
 D594,418 S 6/2009 Fujino et al.
 D607,886 S 1/2010 Bolotin et al.
 D621,785 S 8/2010 Nickol
 D637,193 S 5/2011 Andre et al.
 D643,040 S 8/2011 Sedio et al.
 D655,296 S 3/2012 Andre et al.
 D656,147 S 3/2012 Schlosstein
 D658,665 S 5/2012 Akana et al.
 D659,150 S 5/2012 Andre
 D665,754 S 8/2012 Cobbett et al.
 D684,539 S 6/2013 Akana et al.
 D684,976 S 6/2013 Akana et al.
 8,454,388 B2 6/2013 Song

2002/0170972 A1 11/2002 Kim
 2003/0225954 A1 12/2003 Wu
 2005/0202727 A1 9/2005 Andre et al.
 2011/0199729 A1 8/2011 Hsieh
 2012/0252256 A1 10/2012 Zhu et al.
 2013/0084760 A1 4/2013 Siahaan et al.
 2013/0175326 A1 7/2013 Jol et al.

FOREIGN PATENT DOCUMENTS

WO WO 2011/160128 A2 12/2011
 WO WO 2011/163256 A1 12/2011
 WO WO 2011/163260 A1 12/2011
 WO WO 2012/103383 A2 8/2012
 WO WO 2013/817041 6/2013

OTHER PUBLICATIONS

Co-Pending U.S. Appl. No. 29/455,174, filed May 17, 2013 (Not Published).
 Co-Pending U.S. Appl. No. 29/456,392, filed May 30, 2013 (Not Published).
 Co-Pending U.S. Appl. No. 29/456,487, filed May 31, 2013 (Not Published).
 Co-Pending U.S. Appl. No. 29/456,394, filed May 30, 2013 (Not Published).

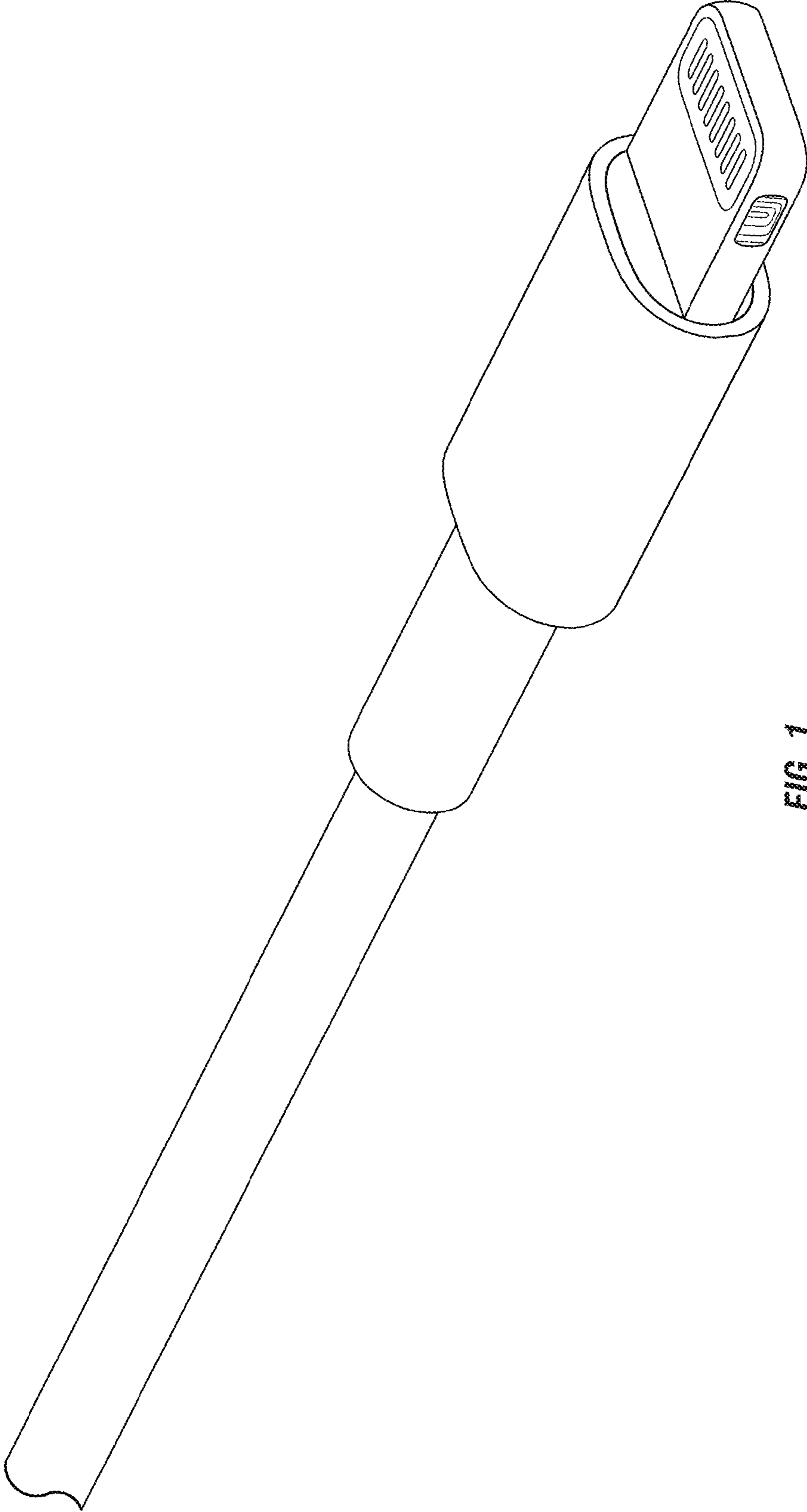


FIG. 1

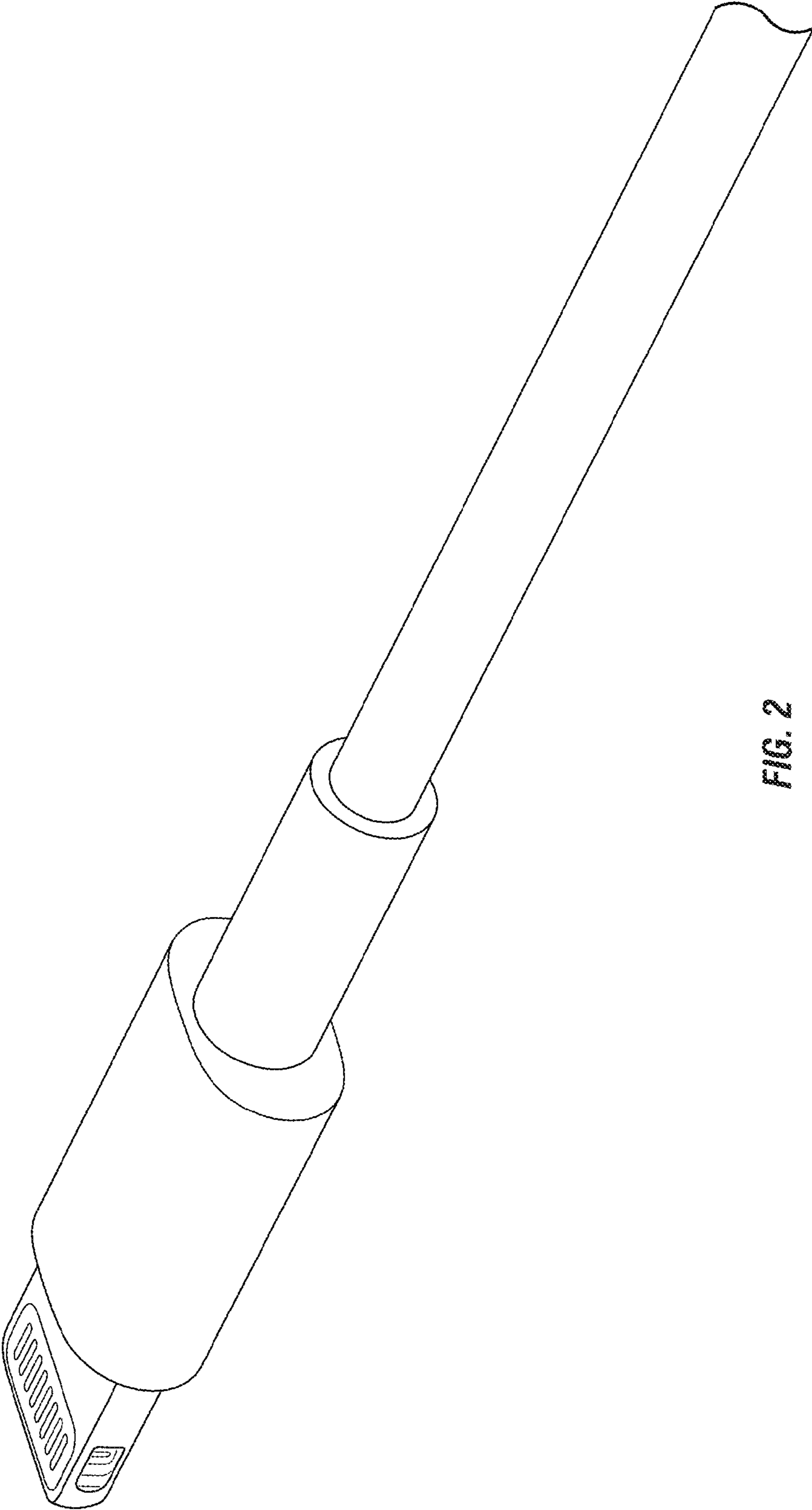


FIG. 2

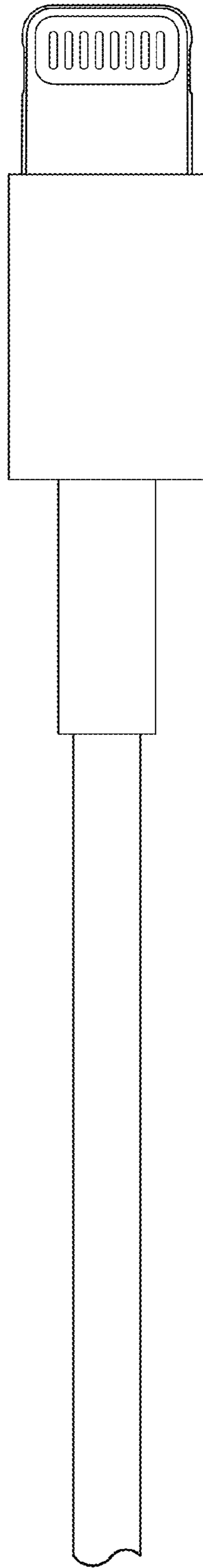


FIG. 3

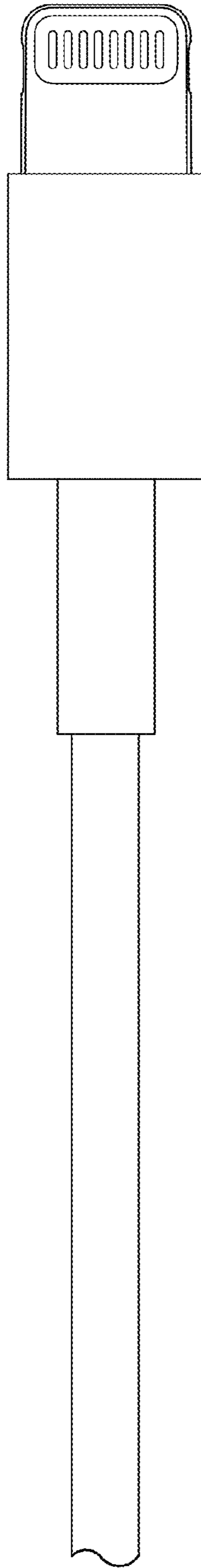


FIG. 4

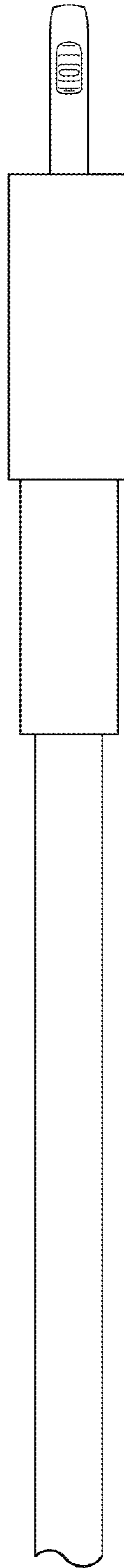


FIG. 5

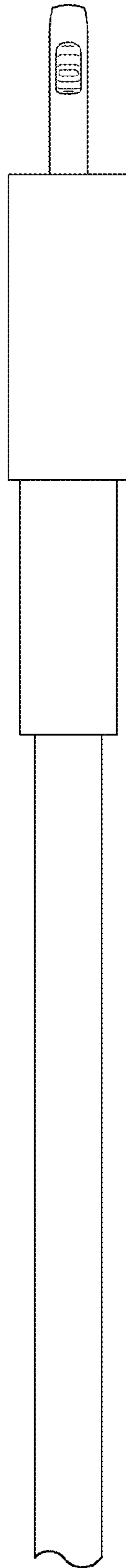


FIG. 6

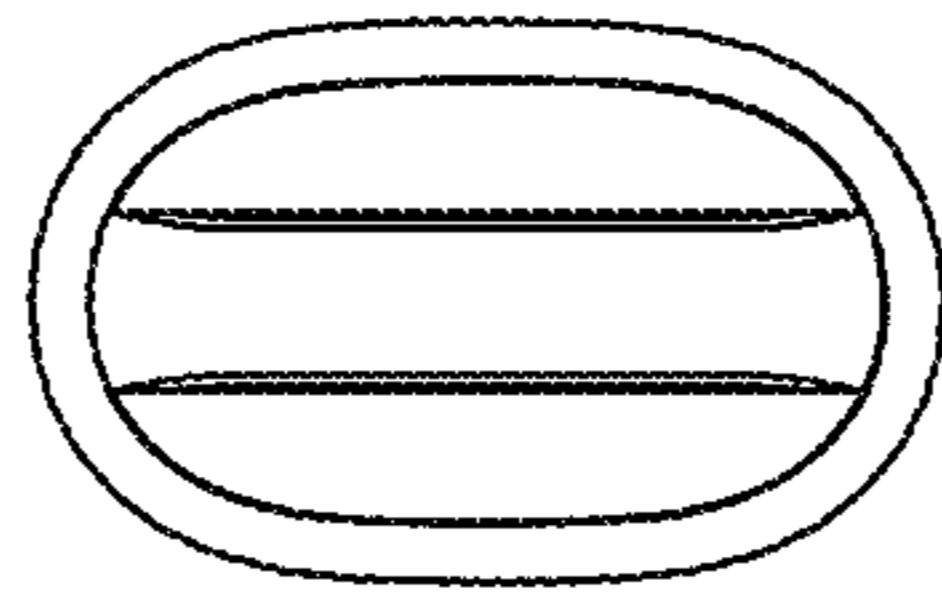


FIG. 7

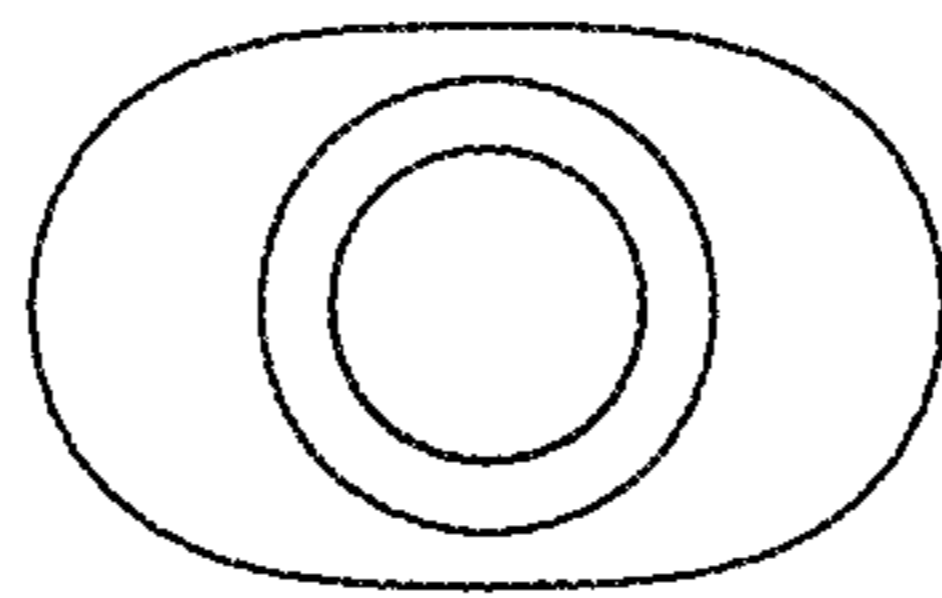


FIG. 8

UNITED STATES PATENT AND TRADEMARK OFFICE
CERTIFICATE OF CORRECTION

PATENT NO. : D703,145 S
APPLICATION NO. : 29/455173
DATED : April 22, 2014
INVENTOR(S) : Akana et al.

Page 1 of 1

It is certified that error appears in the above-identified patent and that said Letters Patent is hereby corrected as shown below:

On the title page, item (72) inventor, please change the city of residence of the second inventor Bartley K. ANDRE from "Menlo Park, CA" to --Palo Alto, CA--.

On the title page, item (72) inventor, please change the city of residence of the tenth inventor Duncan Robert KERR from "Cupertino, CA" to --San Francisco, CA--.

Signed and Sealed this
Twenty-fourth Day of June, 2014



Michelle K. Lee
Deputy Director of the United States Patent and Trademark Office