



US00D703144S

(12) **United States Design Patent**
Huang

(10) **Patent No.:** **US D703,144 S**

(45) **Date of Patent:** **** Apr. 22, 2014**

(54) **ELECTRICAL CONNECTOR**

(71) Applicant: **Wieson Technologies Co., Ltd.**, New Taipei (TW)

(72) Inventor: **Chien-Hsiang Huang**, New Taipei (TW)

(73) Assignee: **Wieson Technologies Co., Ltd.** (TW)

(**) Term: **14 Years**

(21) Appl. No.: **29/450,901**

(22) Filed: **Mar. 25, 2013**

(51) **LOC (10) Cl.** **13-03**

(52) **U.S. Cl.**
USPC **D13/147**

(58) **Field of Classification Search**
USPC D13/147, 154, 184, 199; 439/79, 108,
439/180, 246, 374, 378, 488, 527, 529, 530,
439/533, 567, 607.1, 607.4, 607.5, 607.17,
439/607.25, 607.34, 607.41, 607.53, 668,
439/680, 892, 894

See application file for complete search history.

(56) **References Cited**

U.S. PATENT DOCUMENTS

D515,509 S *	2/2006	Moriwake et al.	D13/147
D537,792 S *	3/2007	Imai	D13/147
D552,037 S *	10/2007	Imai	D13/147
D682,217 S *	5/2013	Katayanagi	D13/147

* cited by examiner

Primary Examiner — Daniel Bui

(74) *Attorney, Agent, or Firm* — Roger H. Chu

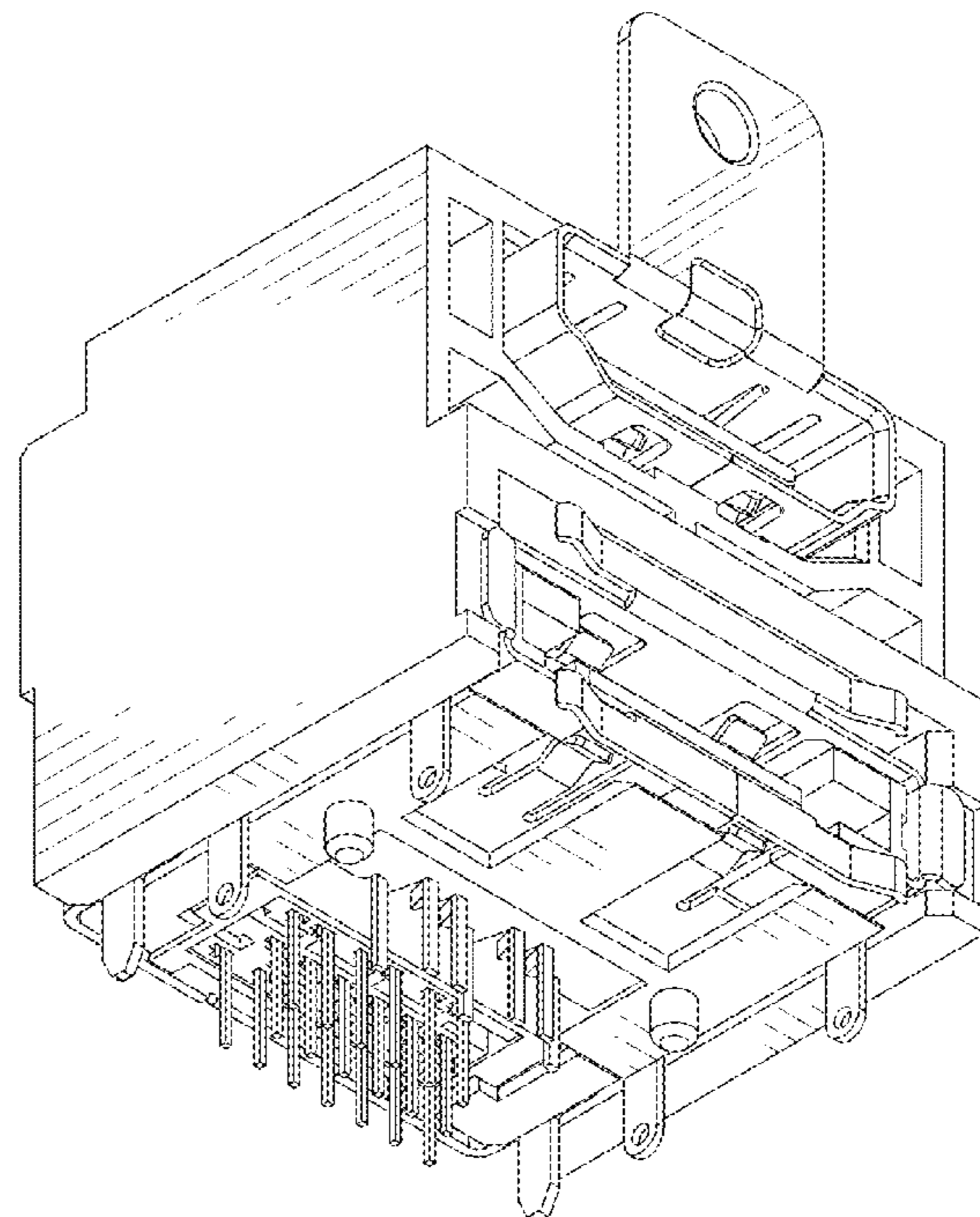
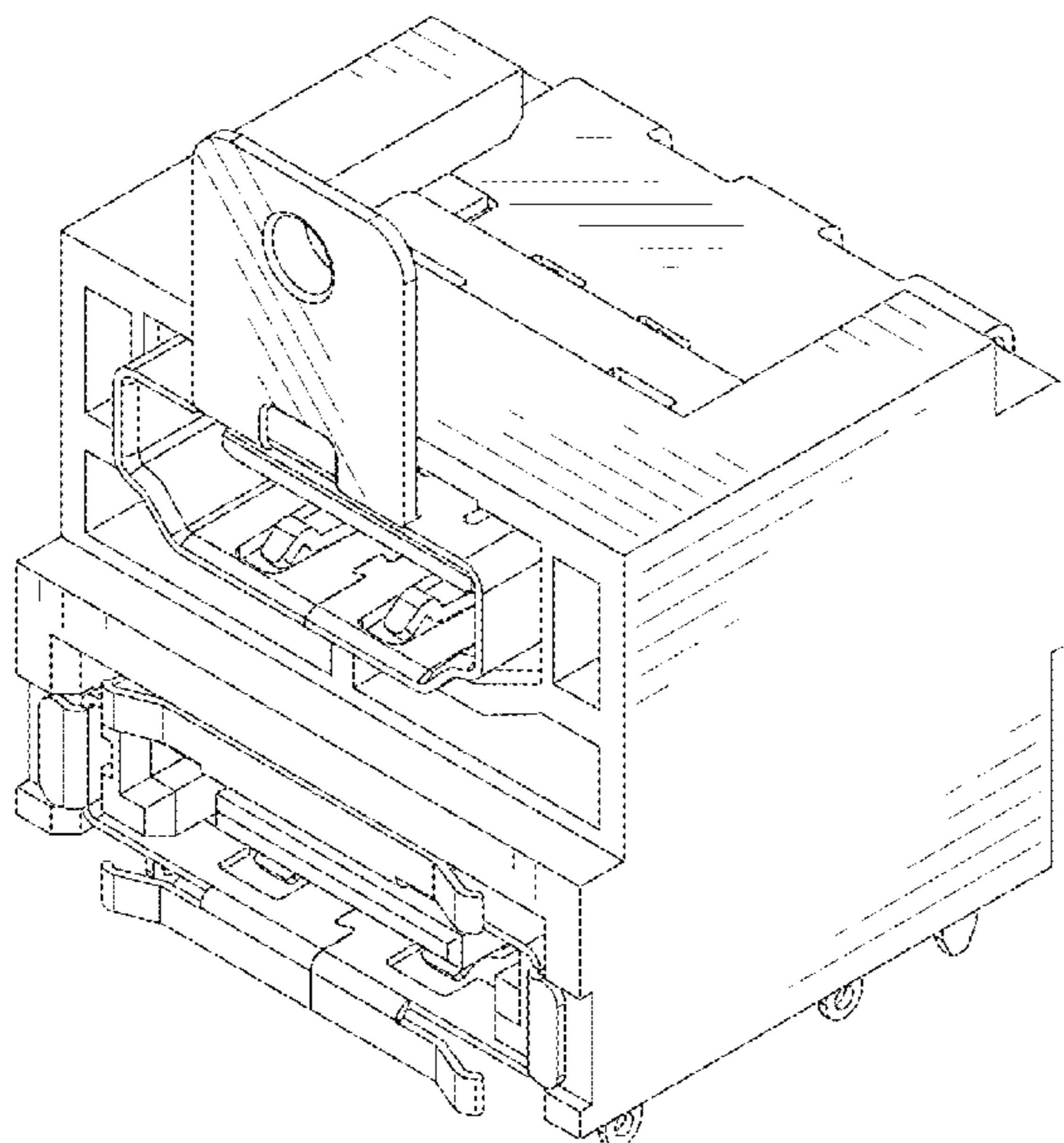
(57) **CLAIM**

The ornamental design for an electrical connector, as shown and described.

DESCRIPTION

FIG. 1 is a top, front and left side perspective view of an electrical connector showing my design; FIG. 2 is a front elevation view thereof; FIG. 3 is a rear elevation view thereof; FIG. 4 is a right side elevation view thereof; FIG. 5 is a left side elevation view thereof; FIG. 6 is a top plan view thereof; FIG. 7 is a bottom plan view thereof; and, FIG. 8 is a bottom, front and right side perspective view thereof.

1 Claim, 8 Drawing Sheets



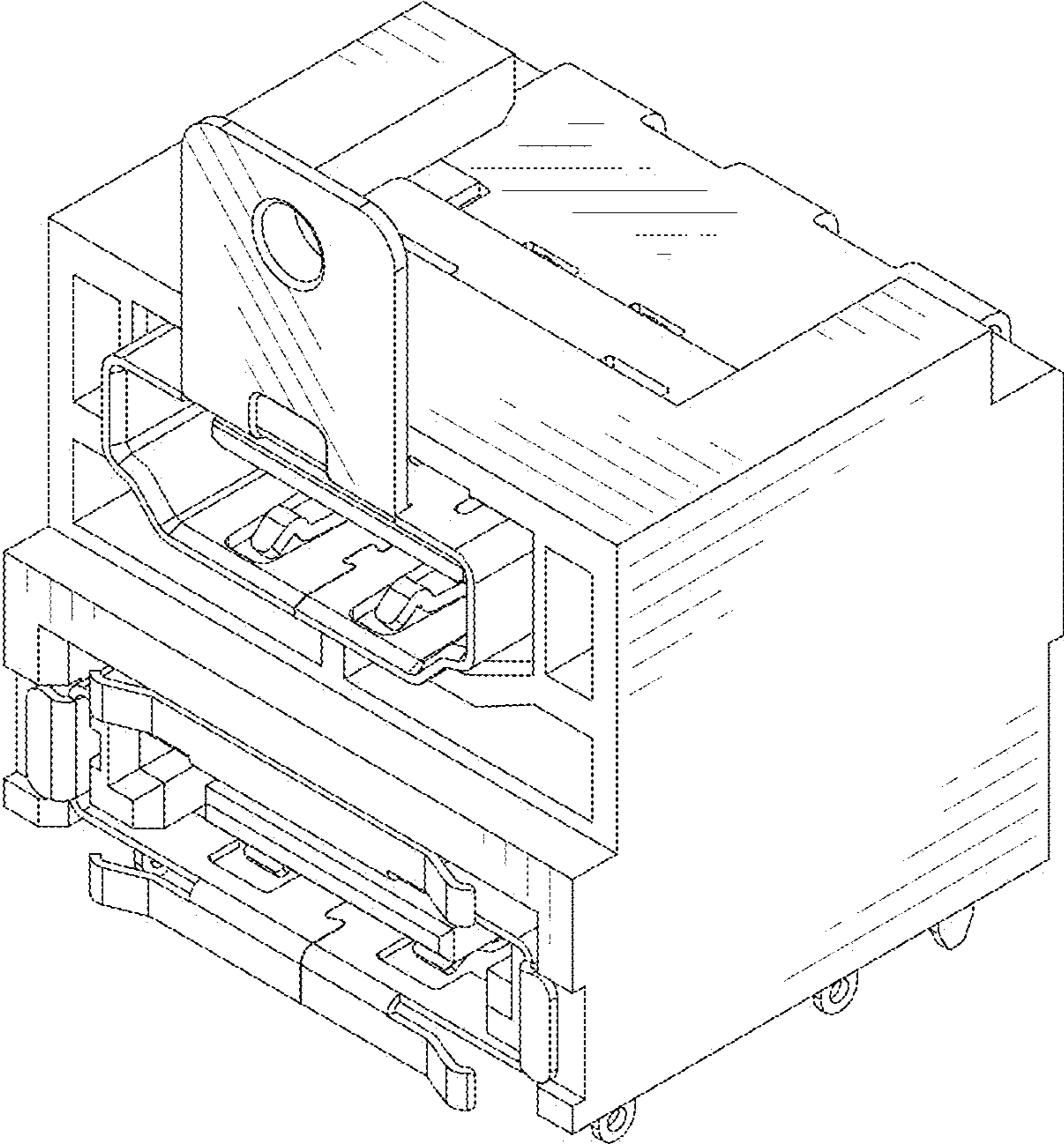


FIG. 1

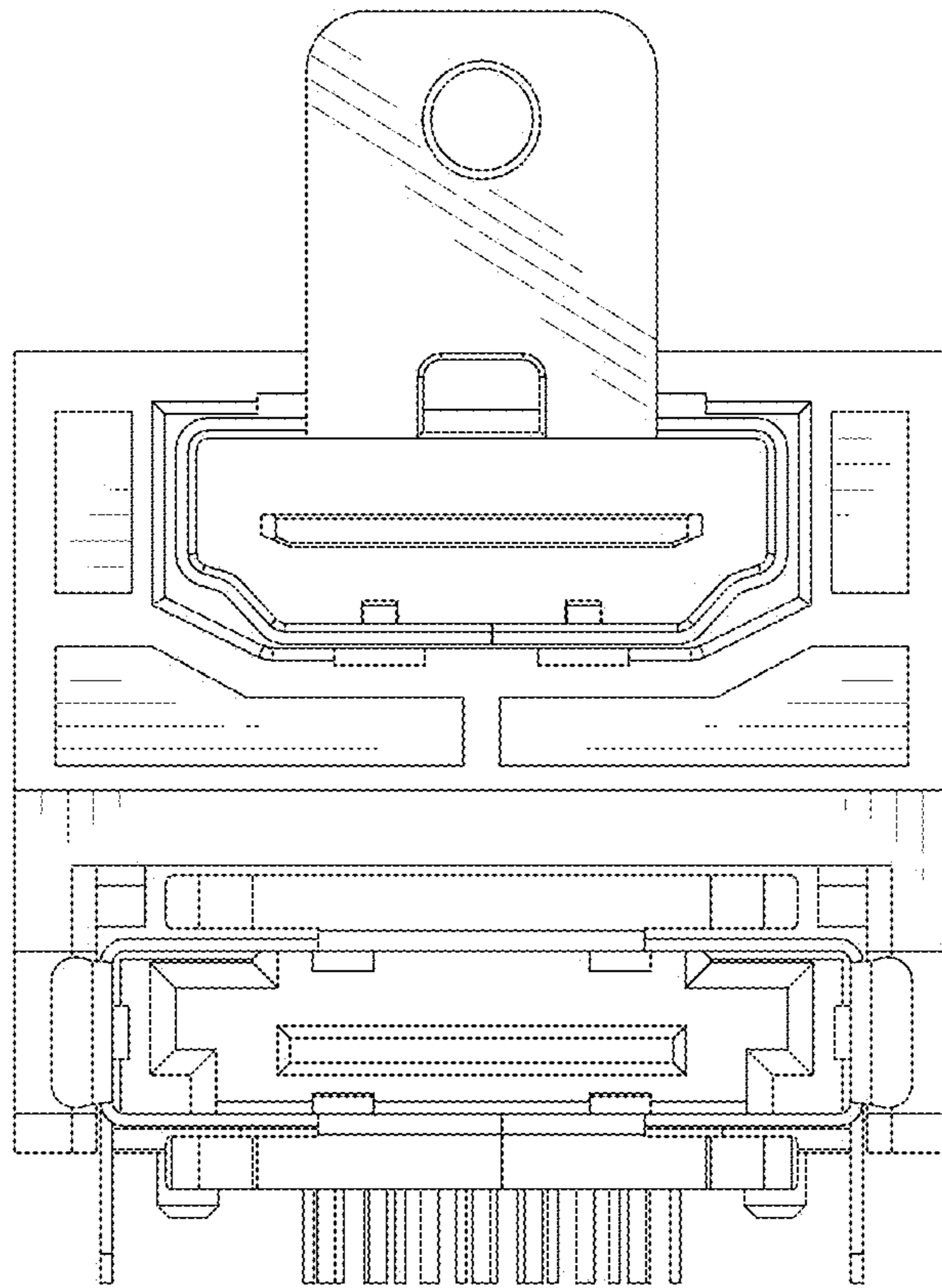


FIG. 2

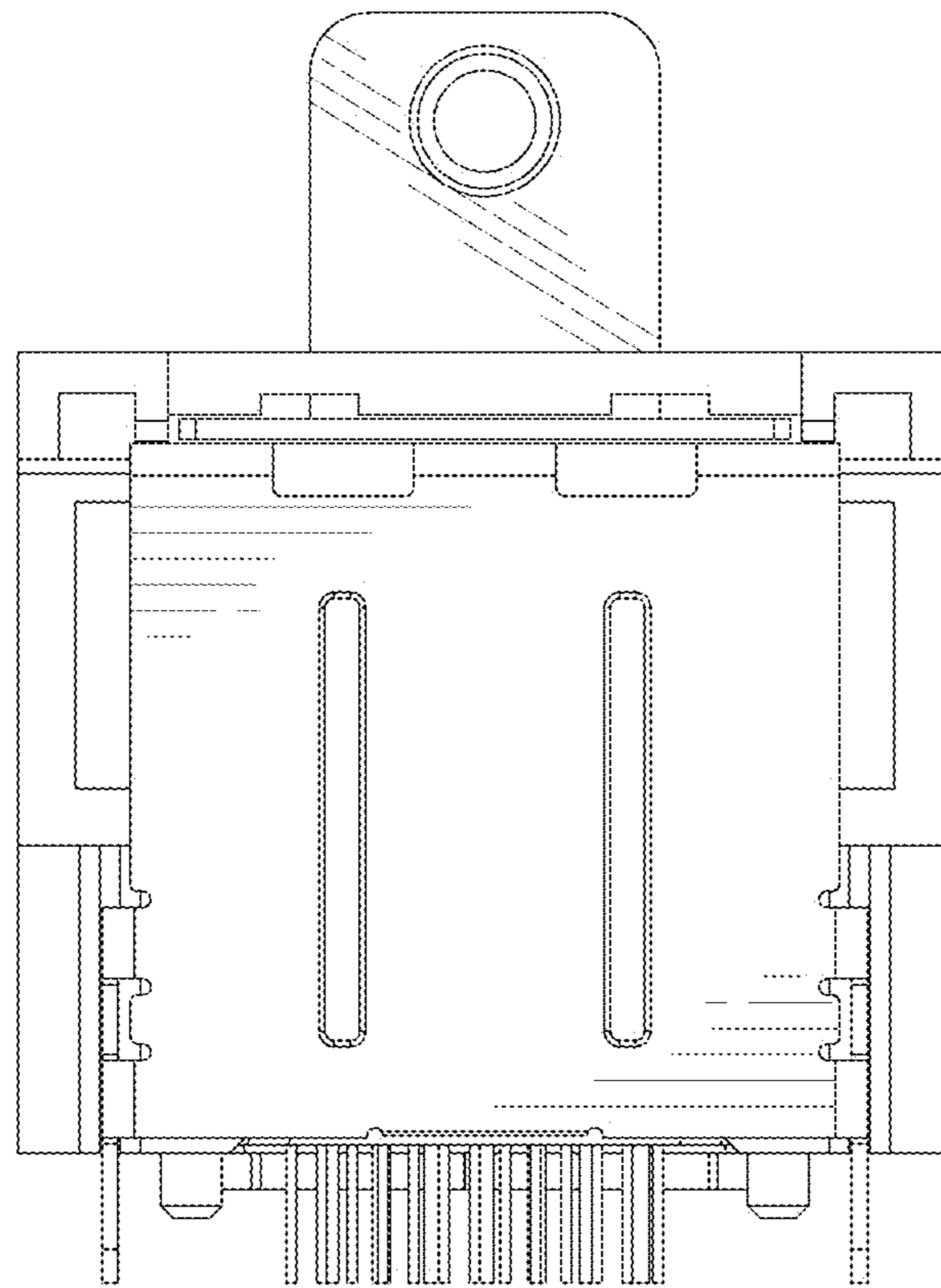


FIG. 3

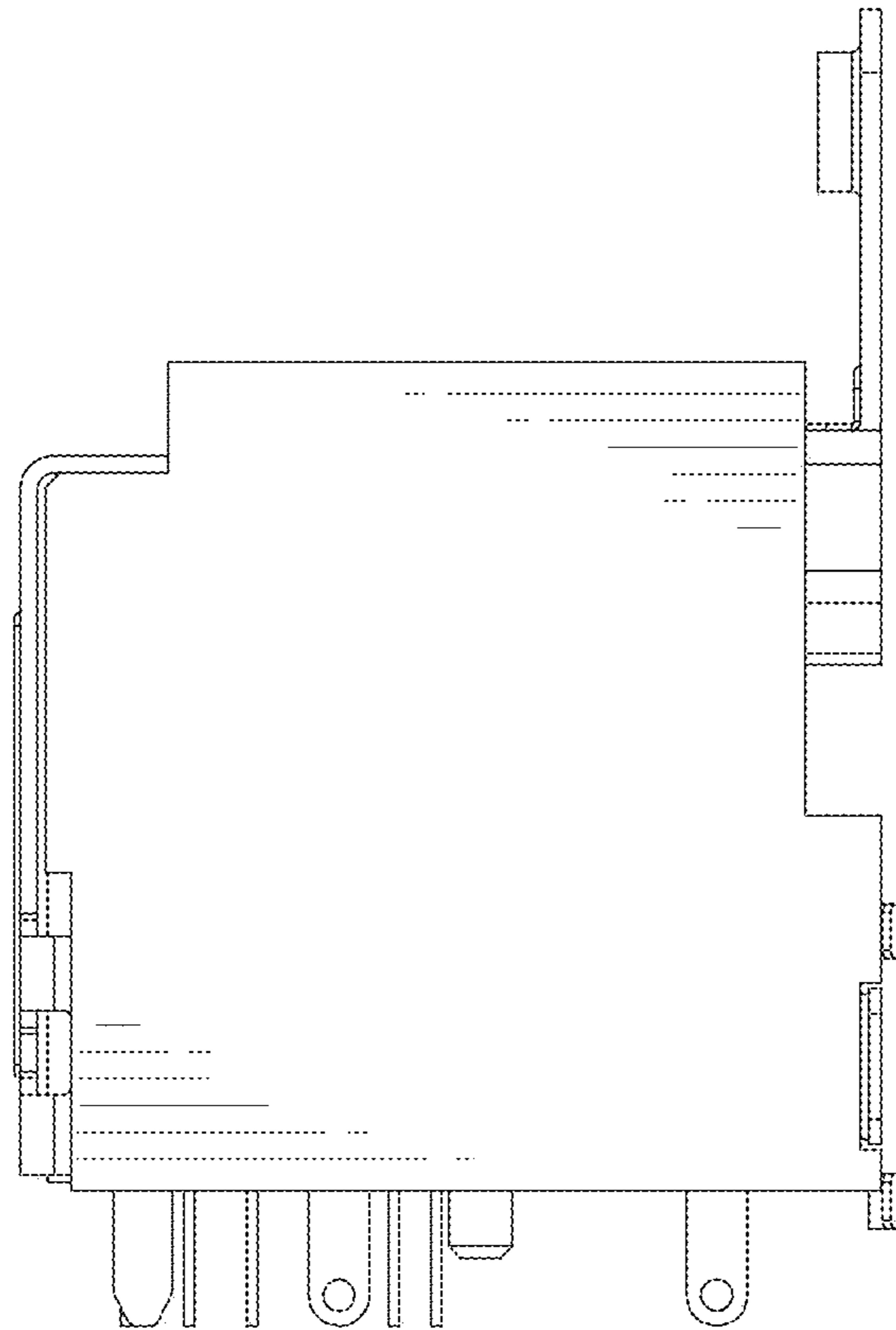


FIG. 4

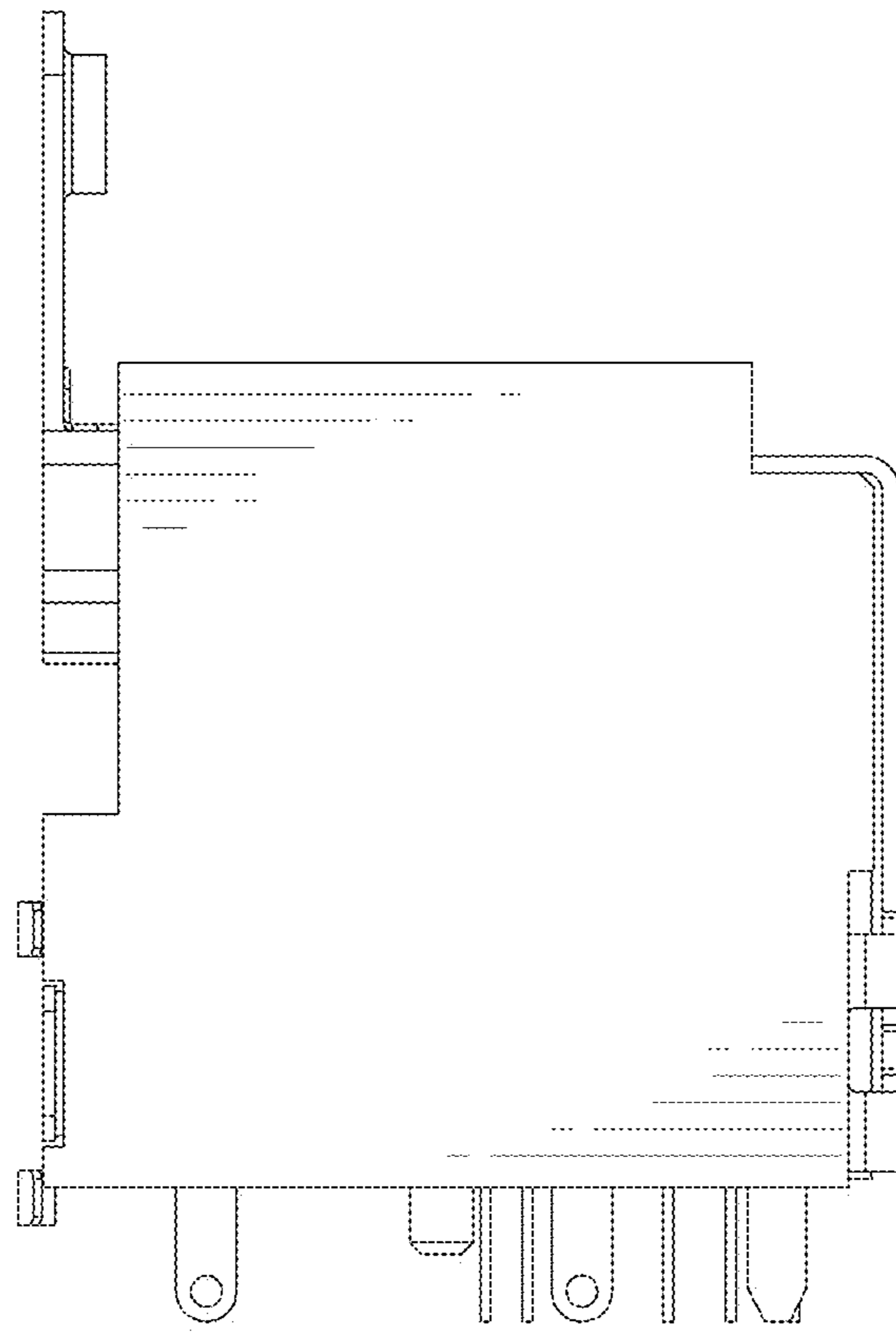


FIG. 5

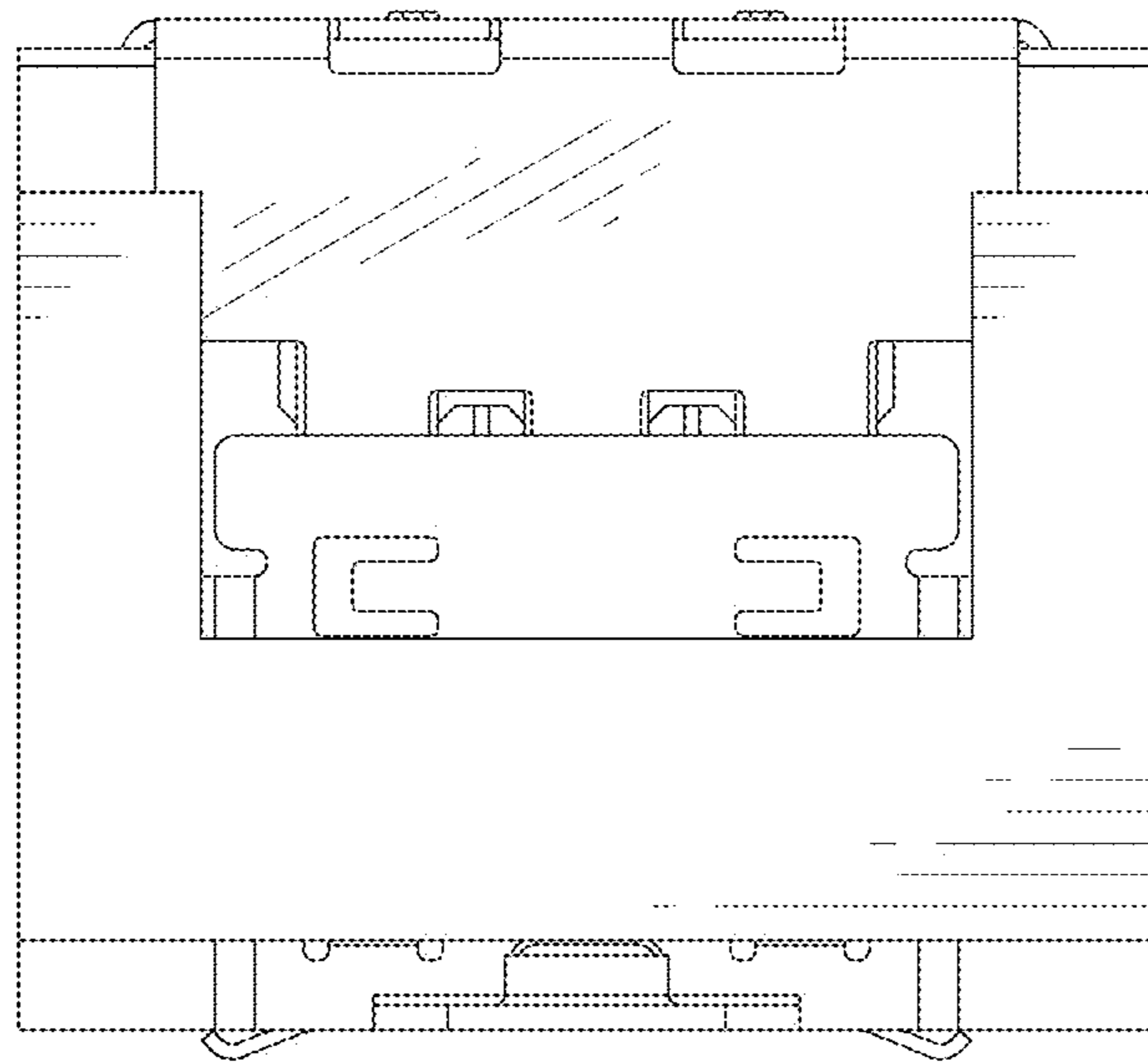


FIG. 6

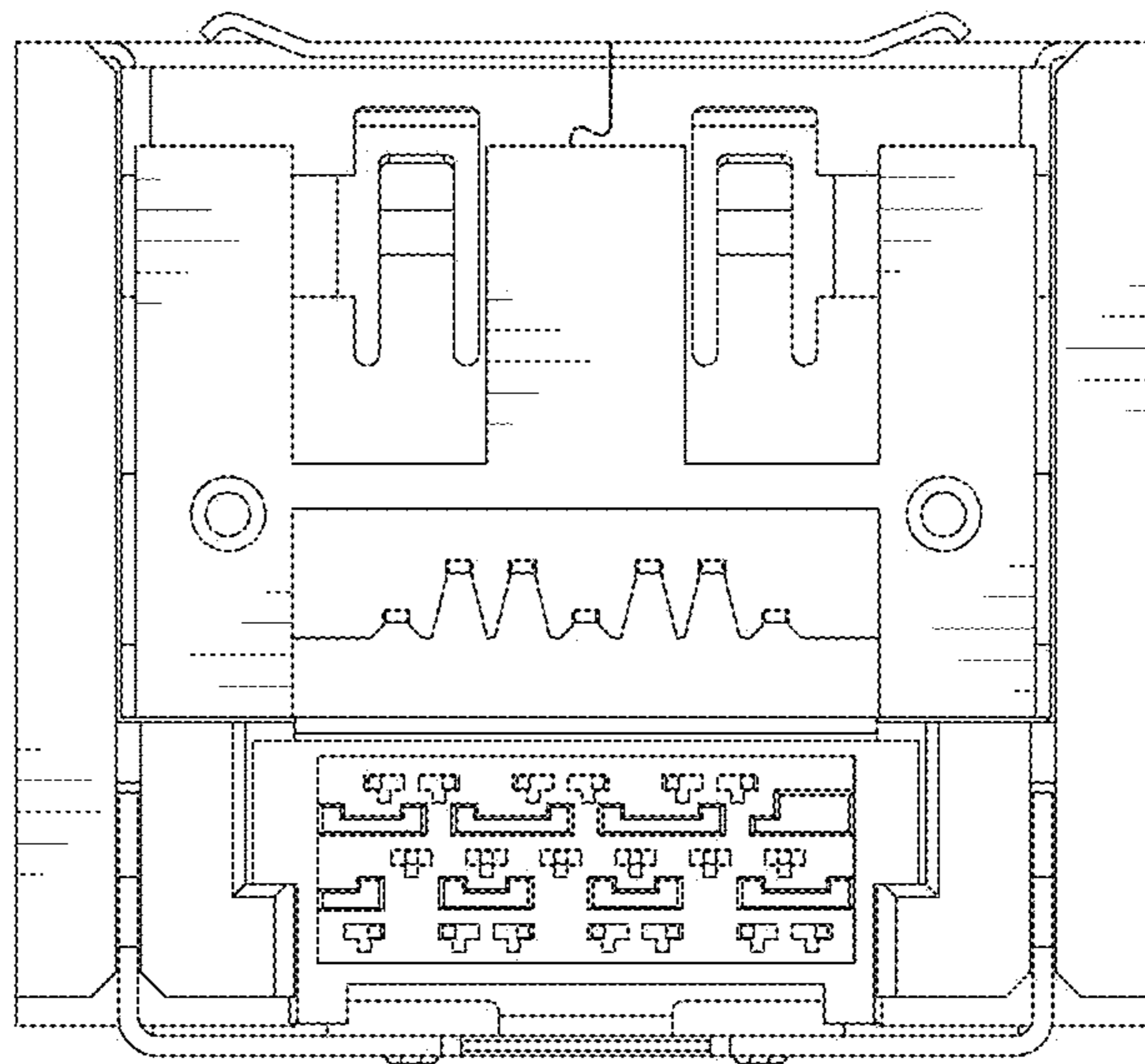


FIG. 7

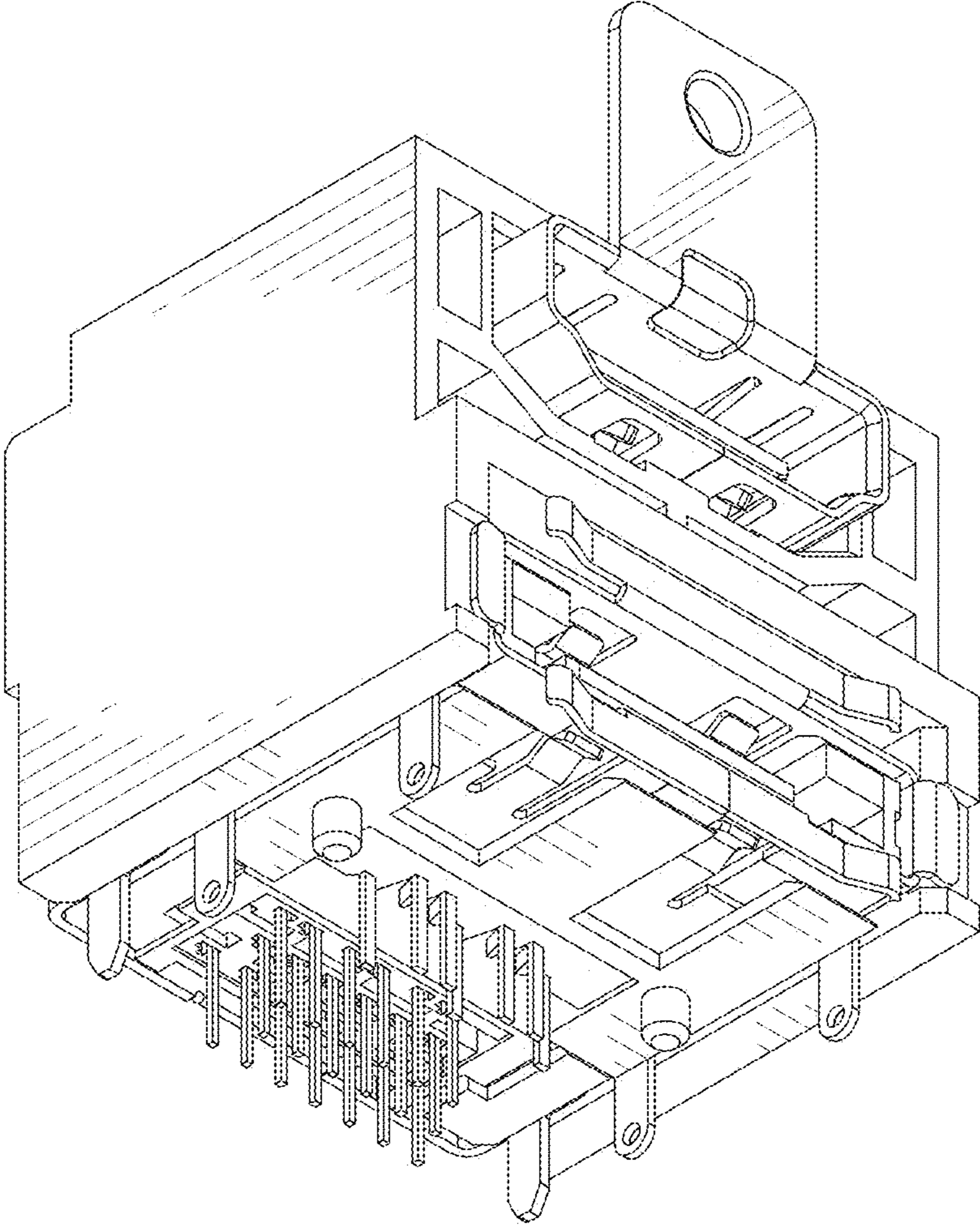


FIG. 8