



US00D703142S

(12) **United States Design Patent**  
**Hoshino et al.**

(10) **Patent No.:** **US D703,142 S**

(45) **Date of Patent:** **\*\* Apr. 22, 2014**

(54) **ELECTRIC CONNECTOR**

(75) Inventors: **Hirokazu Hoshino**, Kyoto (JP); **Taijiro Fujiwara**, Kyoto (JP); **Masahiro Ono**, Kyoto (JP)

(73) Assignee: **OMRON Corporation**, Kyoto (JP)

(\*\*) Term: **14 Years**

(21) Appl. No.: **29/430,583**

(22) Filed: **Aug. 28, 2012**

(30) **Foreign Application Priority Data**

Mar. 13, 2012 (JP) ..... D 2012-5646  
Mar. 13, 2012 (JP) ..... D 2012-5647

(51) **LOC (10) Cl.** ..... **13-03**

(52) **U.S. Cl.**  
USPC ..... **D13/147**

(58) **Field of Classification Search**  
None  
See application file for complete search history.

(56) **References Cited**

**U.S. PATENT DOCUMENTS**

D298,931 S \* 12/1988 Sekiguchi ..... D13/147  
D505,918 S \* 6/2005 Conway et al. .... D13/147  
D511,747 S \* 11/2005 Rey et al. .... D13/147  
D615,496 S \* 5/2010 Mennekes ..... D13/147

D644,184 S \* 8/2011 Gilibert ..... D13/147  
D667,374 S \* 9/2012 Hori et al. .... D13/133  
D667,375 S \* 9/2012 Mori et al. .... D13/133  
D671,073 S \* 11/2012 Mori et al. .... D13/133  
2005/0239311 A1\* 10/2005 Yokoigawa et al. .... 439/311

\* cited by examiner

*Primary Examiner* — Daniel Bui

(74) *Attorney, Agent, or Firm* — Harness, Dickey & Pierce, P.L.C.

(57) **CLAIM**

The ornamental design for an electric connector, as shown and described.

**DESCRIPTION**

FIG. 1 is a top, rear and left side perspective view of an electric connector showing our new design;  
FIG. 2 is a bottom, front and right side perspective view thereof;  
FIG. 3 is a front elevational view thereof;  
FIG. 4 is a rear elevational view thereof;  
FIG. 5 is a left side view thereof;  
FIG. 6 is a right side view thereof;  
FIG. 7 is a top plan view thereof; and,  
FIG. 8 is a bottom plan view thereof.  
The broken lines depict environmental subject matter only and form no part of the claimed design.

**1 Claim, 4 Drawing Sheets**

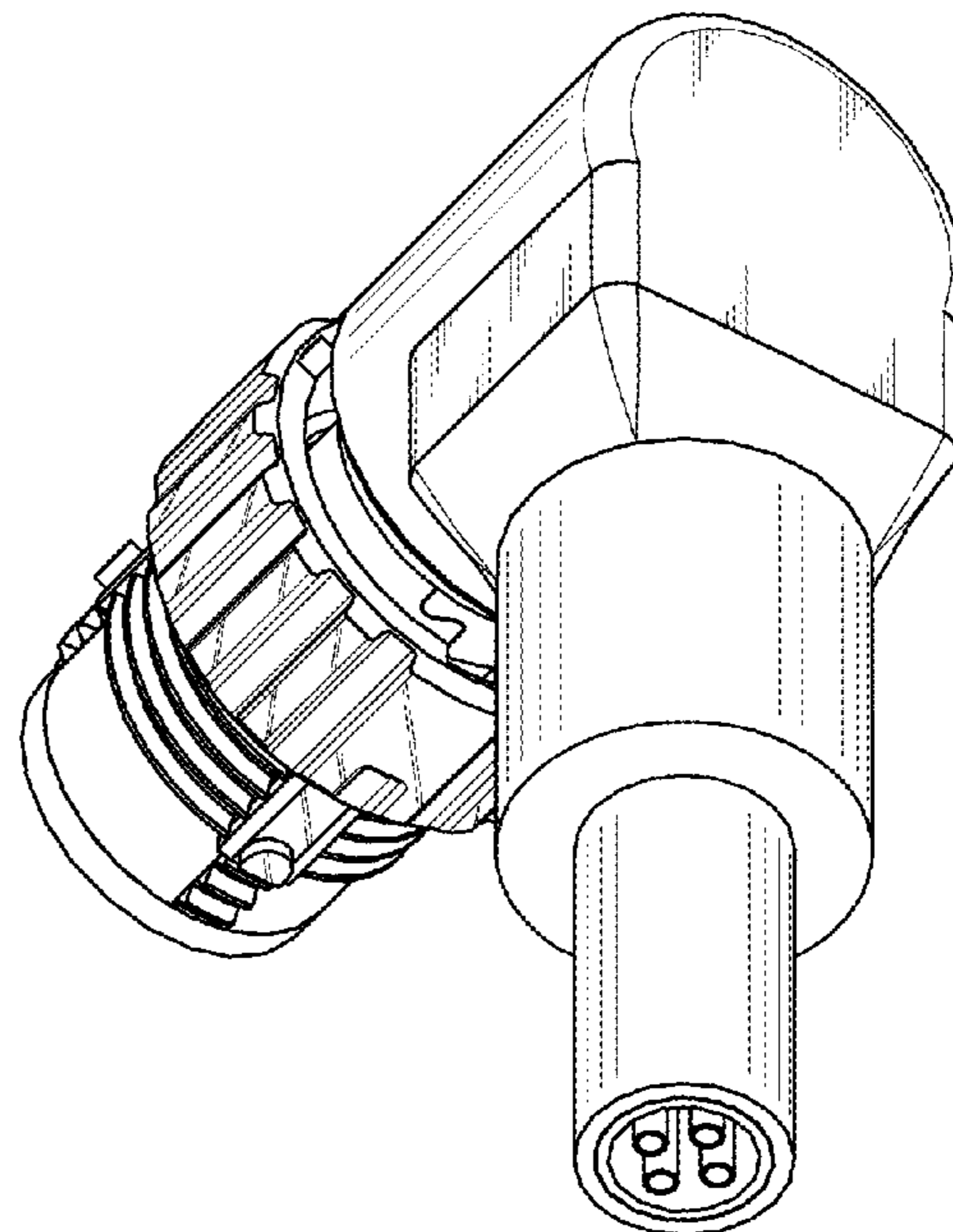
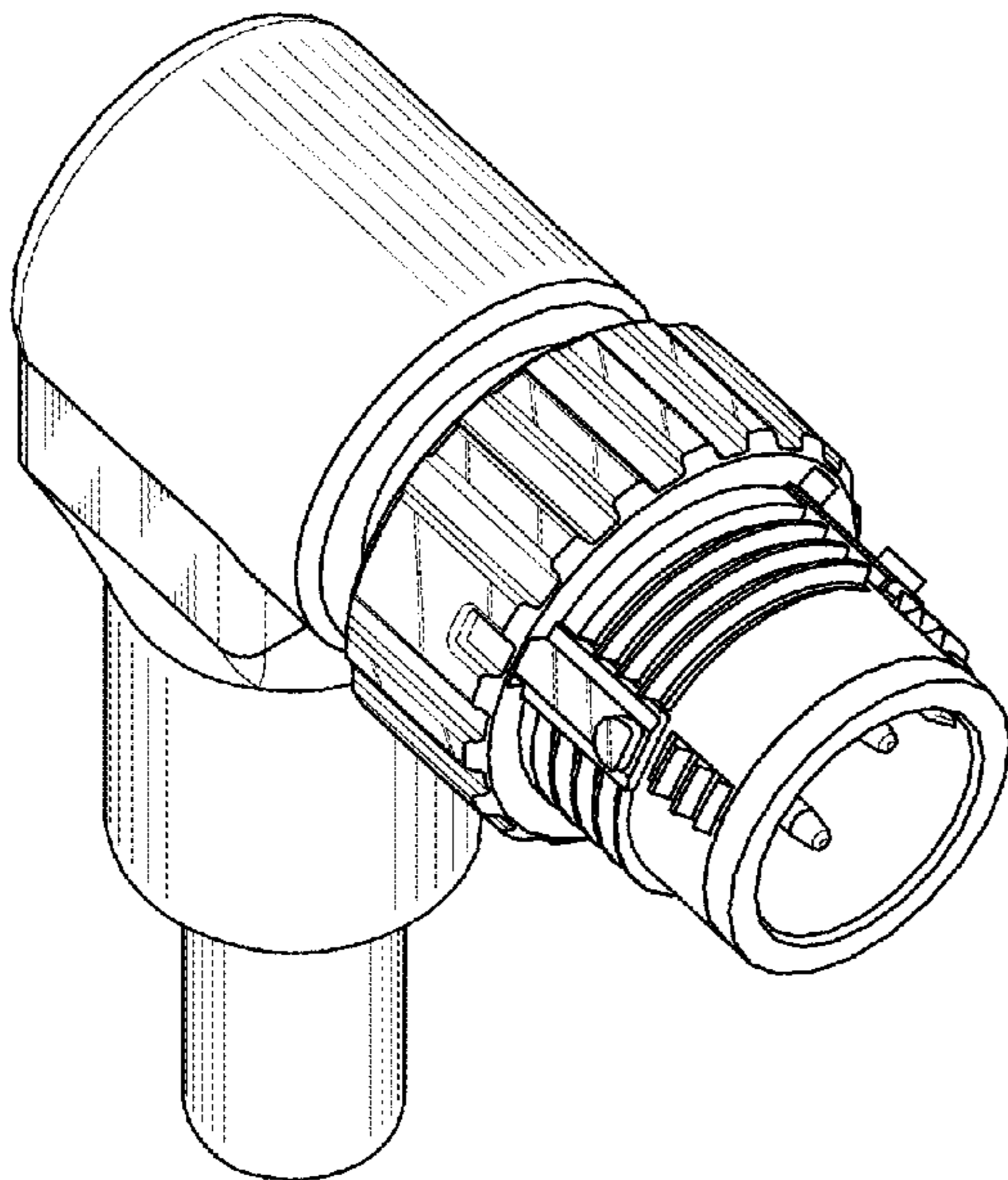


Fig. 1

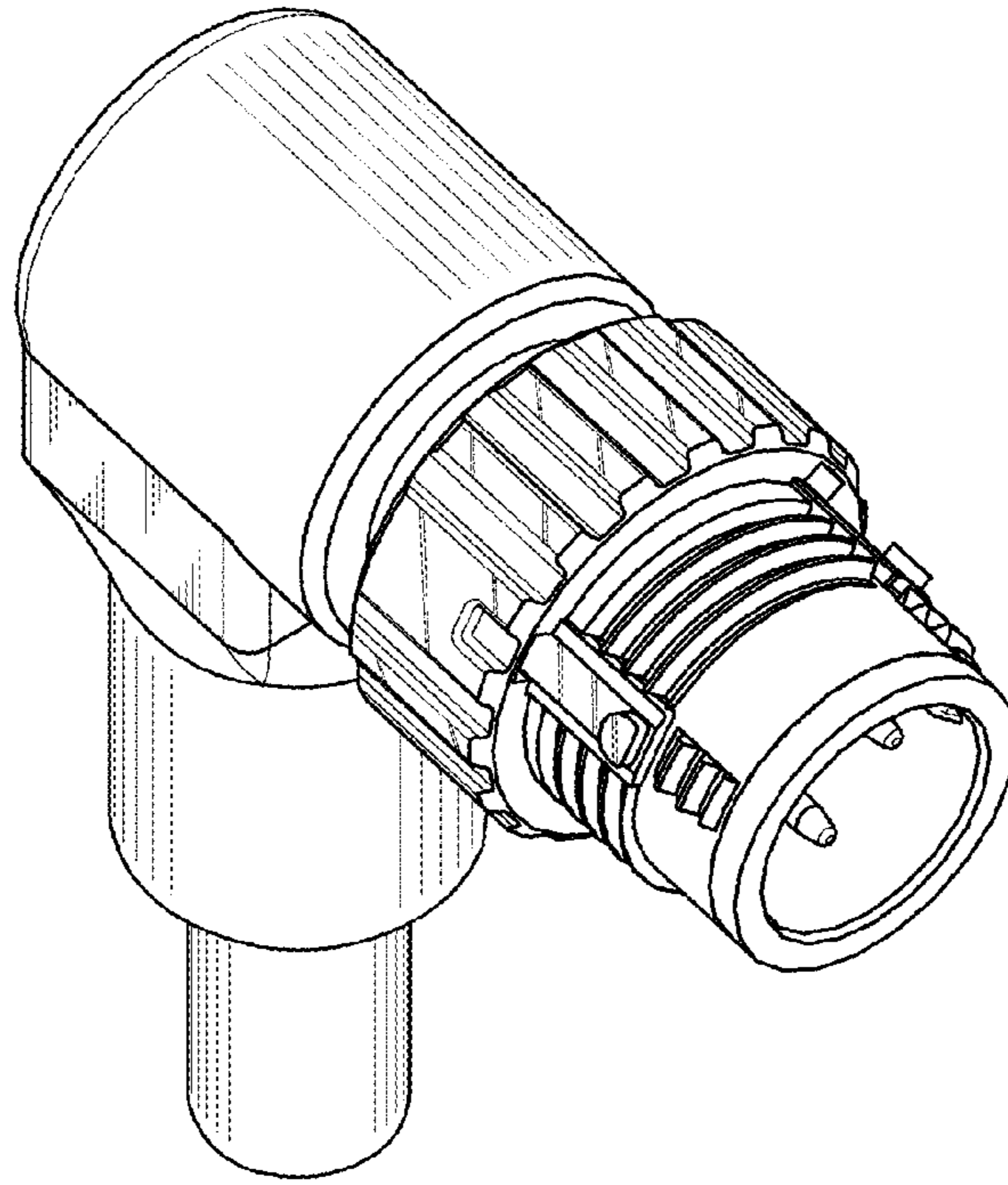


Fig. 2

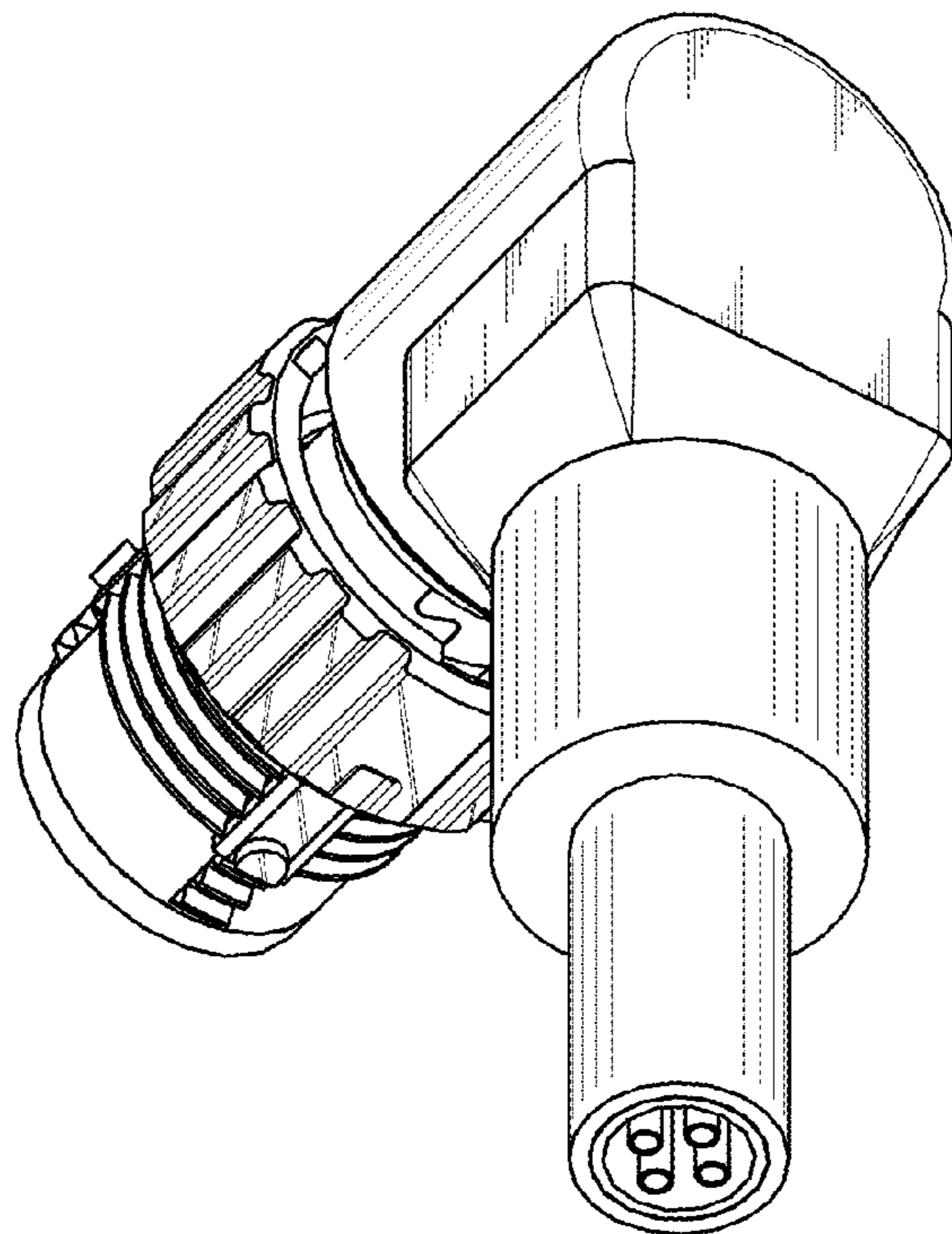


Fig. 3

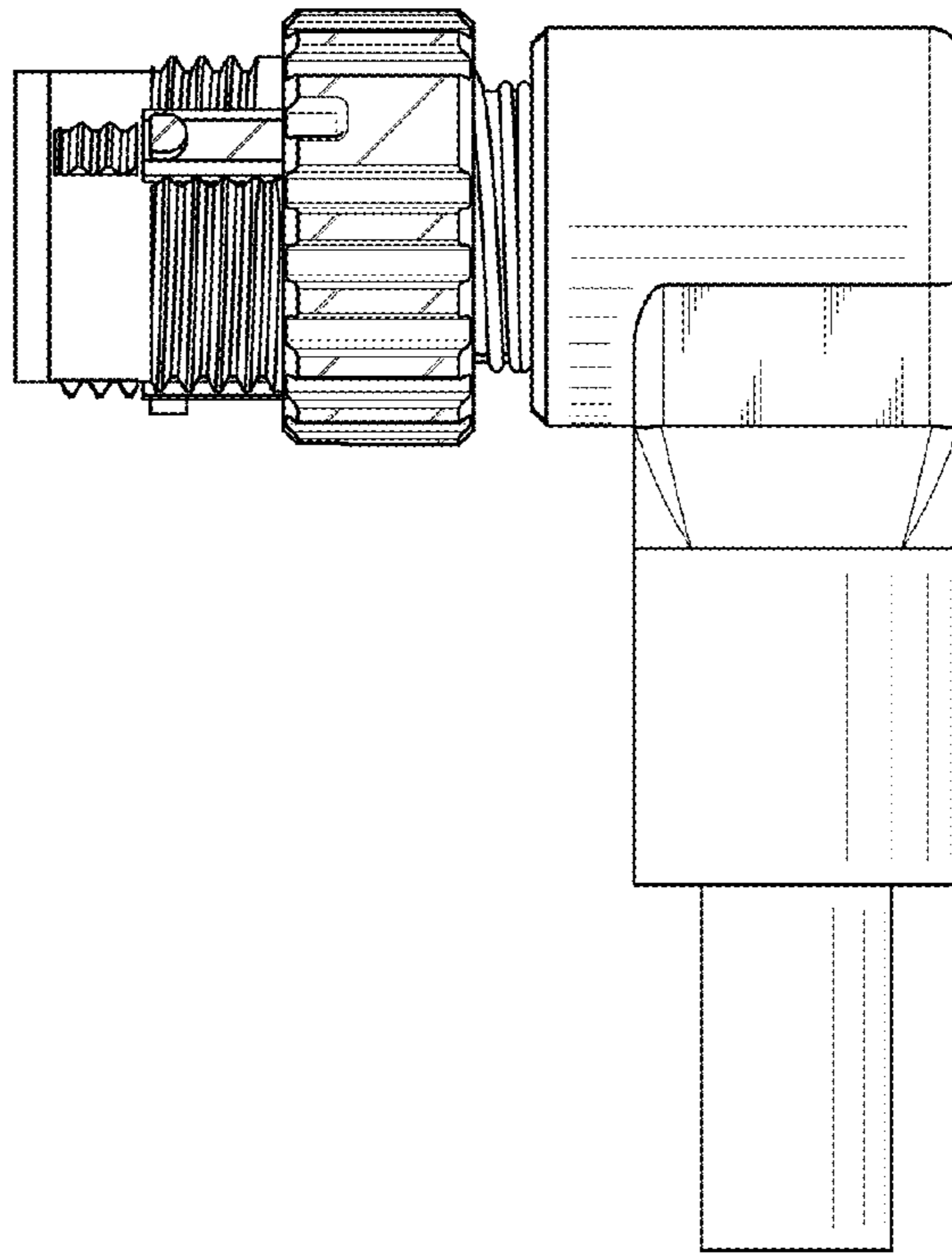


Fig. 4

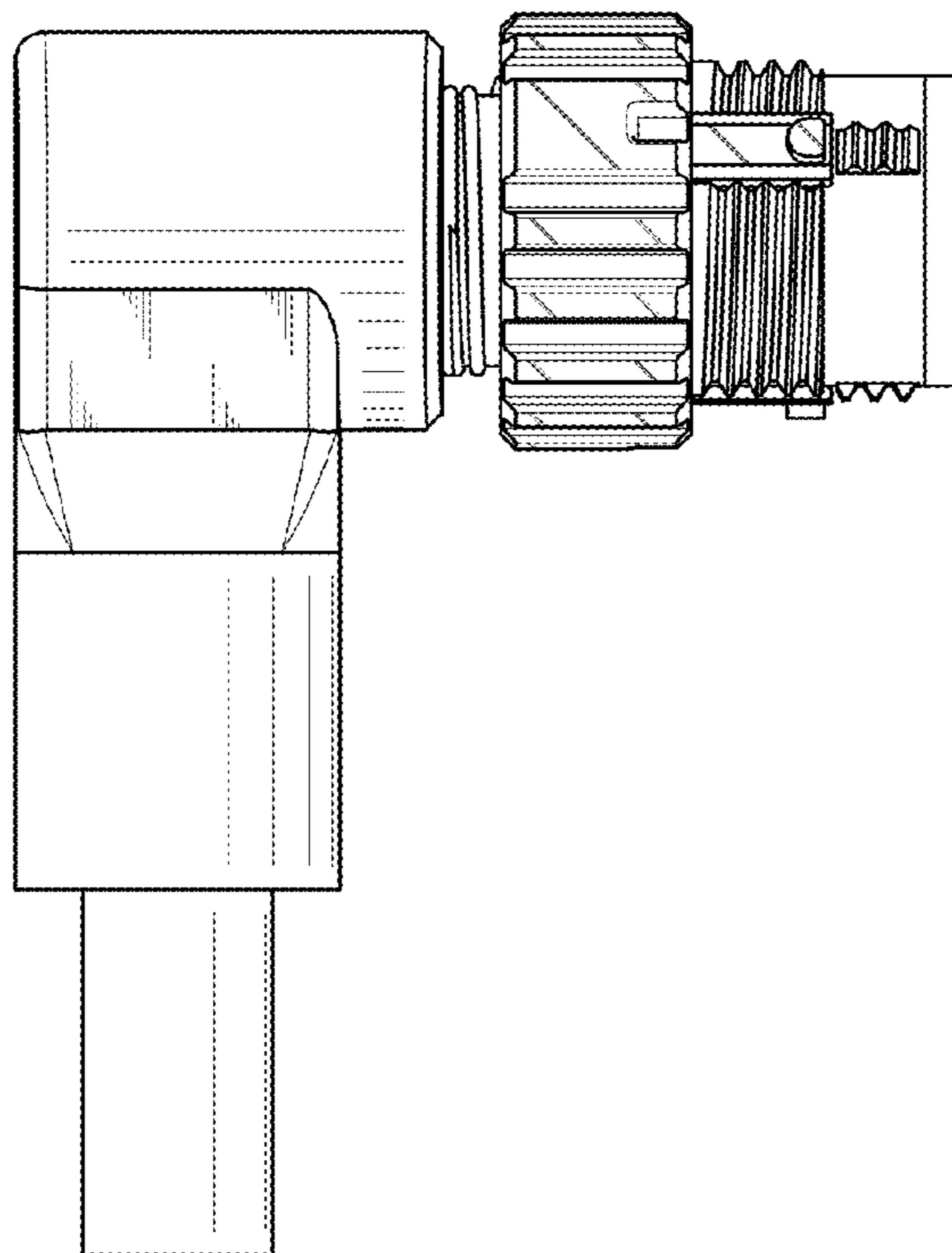


Fig. 5

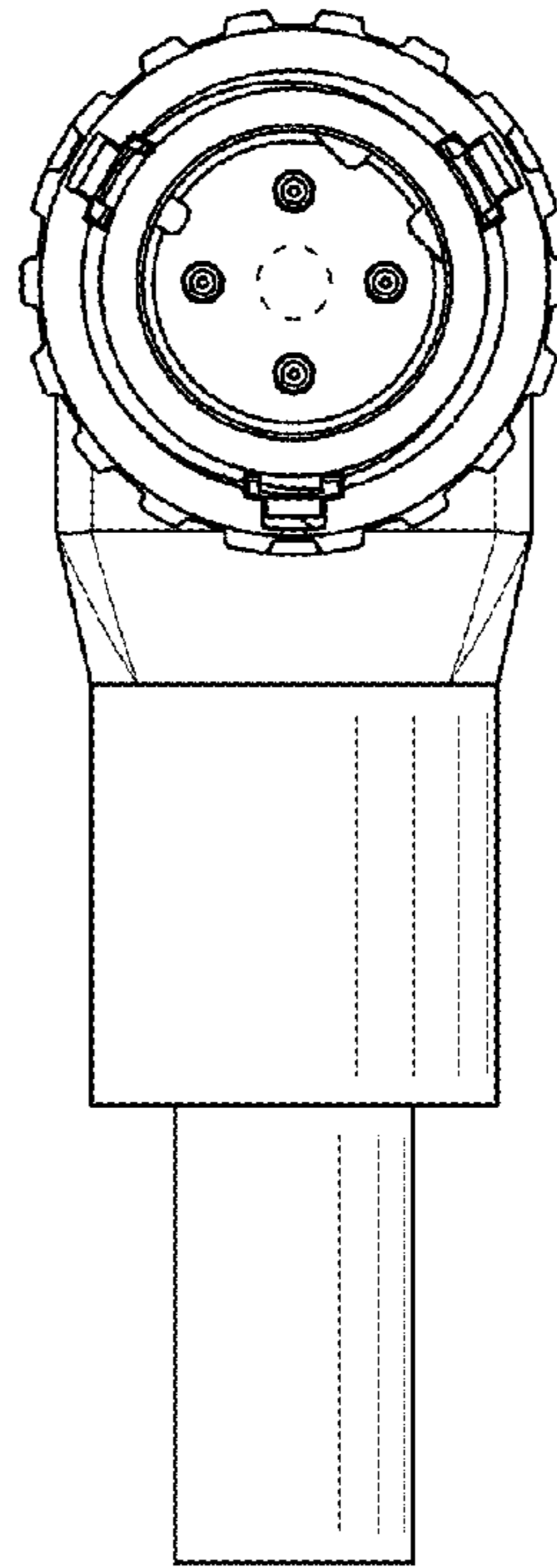


Fig. 6

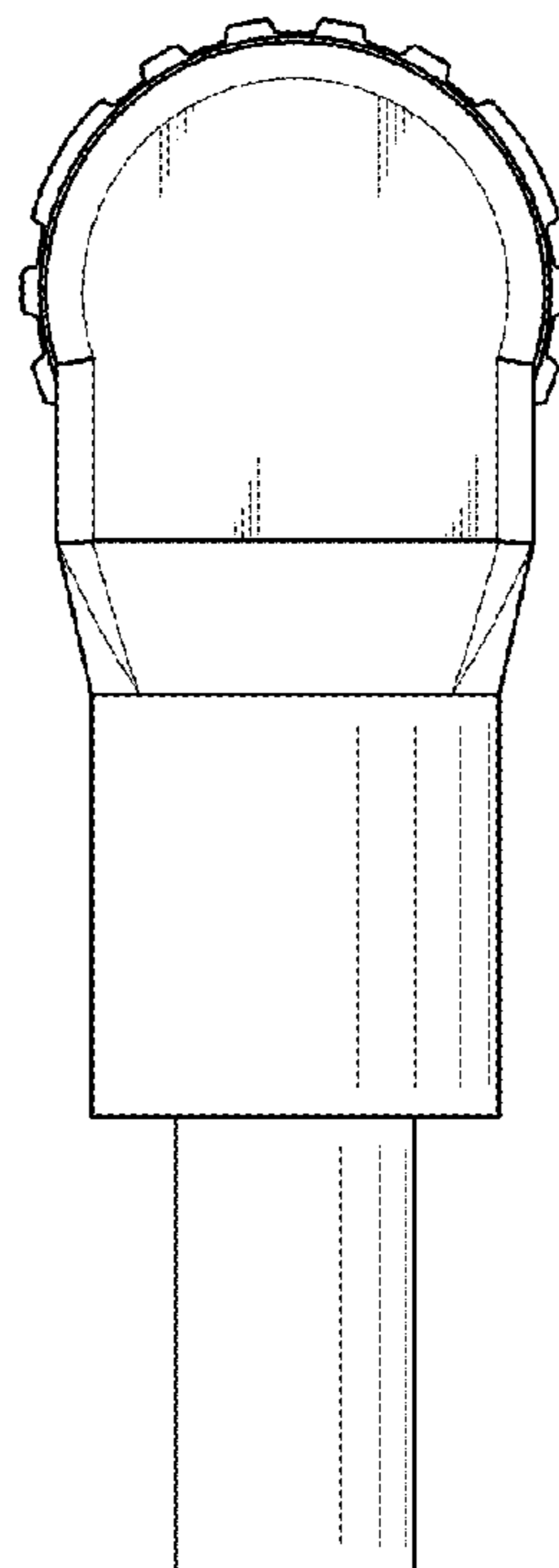


Fig. 7

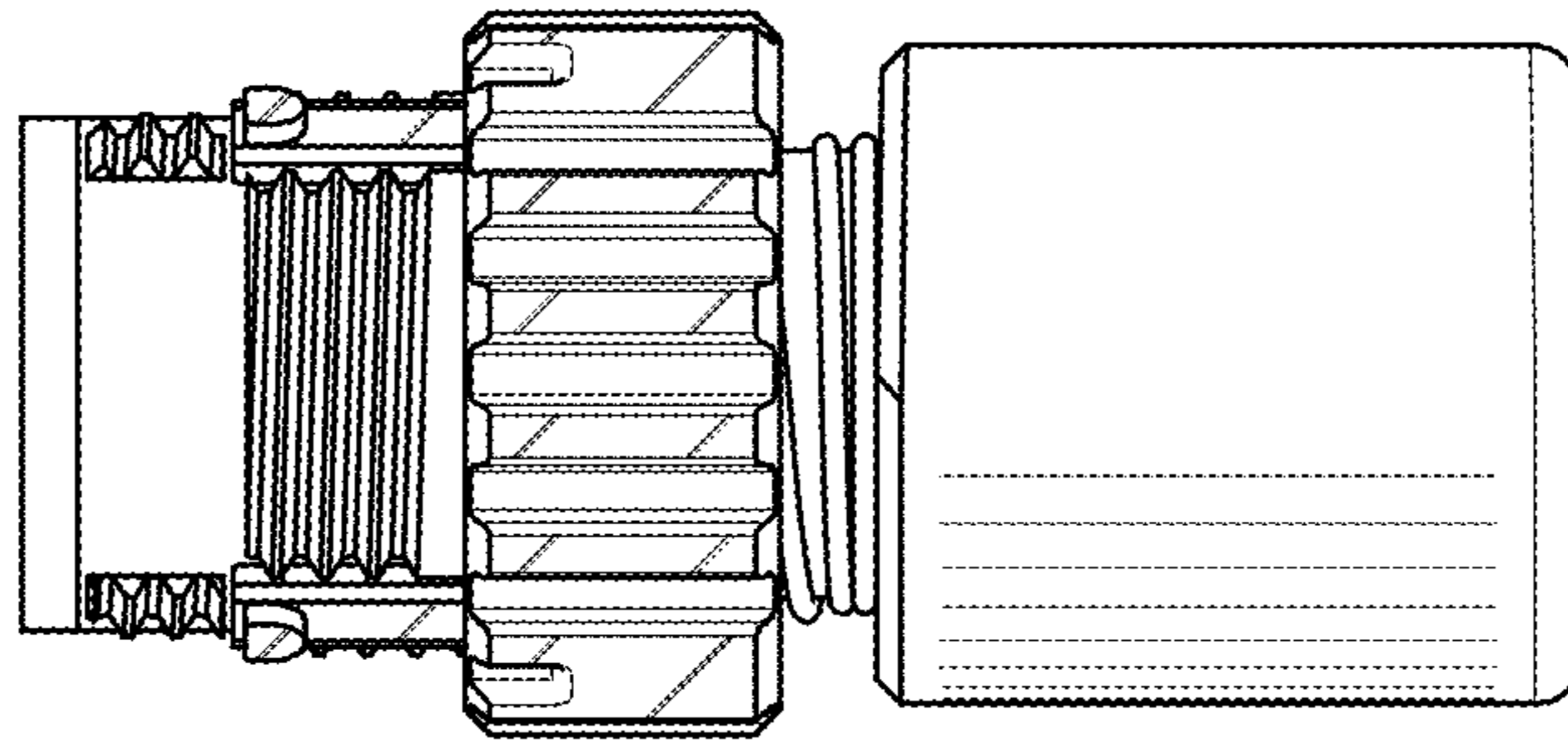


Fig. 8

