



US00D703141S

(12) **United States Design Patent**  
**Andersson**

(10) **Patent No.:** **US D703,141 S**

(45) **Date of Patent:** **\*\* Apr. 22, 2014**

(54) **ACTIVE FIELD DISTRIBUTOR AND CONTROL DEVICE**

D615,044 S \* 5/2010 Nielsen et al. .... D13/147  
D644,603 S \* 9/2011 Liu ..... D13/102  
D660,261 S \* 5/2012 Huang et al. .... D13/184

(75) Inventor: **Jan Andersson**, Erlangen (DE)

\* cited by examiner

(73) Assignee: **Siemens Aktiengesellschaft**, Munich (DE)

*Primary Examiner* — Daniel Bui

(74) *Attorney, Agent, or Firm* — Cozen O'Connor

(\*\*) Term: **14 Years**

(57) **CLAIM**

(21) Appl. No.: **29/385,978**

The ornamental design for an active field distributor and control device, peripheral apparatus and device, as shown and described.

(22) Filed: **Feb. 23, 2011**

(51) **LOC (10) Cl.** ..... **13-03**

**DESCRIPTION**

(52) **U.S. Cl.**  
USPC ..... **D13/147**

(58) **Field of Classification Search**  
USPC ..... D13/110, 123, 133, 146, 147, 154, 184,  
D13/199; 439/180, 246, 252, 278, 378, 379,  
439/380, 381, 527, 529, 533, 892, 894, 956  
See application file for complete search history.

FIG. 1 is a front elevational view of an active field distributor, control device, peripheral apparatus and device showing my new design;  
FIG. 2 is a rear elevational view thereof;  
FIG. 3 is a top plan view thereof;  
FIG. 4 is a bottom plan view thereof;  
FIG. 5 is a right-side elevation view thereof;  
FIG. 6 is left-side elevation view thereof; and,  
FIG. 7 is a front, top and left-side perspective view thereof.  
The broken lines in the drawing views are included to show unclaimed environment only and form no part of the claimed design.

(56) **References Cited**

**U.S. PATENT DOCUMENTS**

D337,761 S \* 7/1993 Morgan et al. .... D13/147  
D396,692 S \* 8/1998 Shen ..... D13/147  
D492,292 S \* 6/2004 Ogren ..... D14/240

**1 Claim, 7 Drawing Sheets**

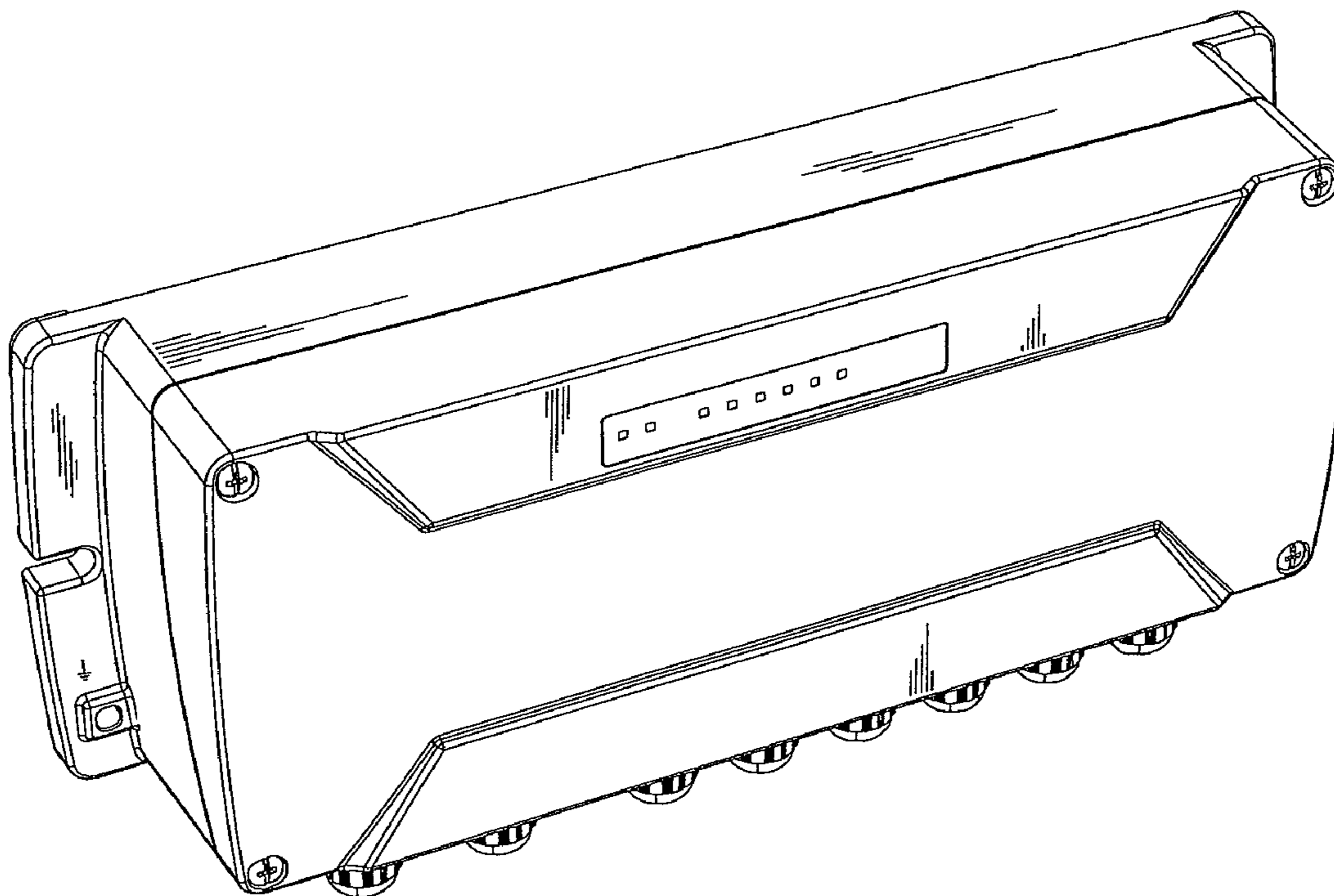


FIG 1

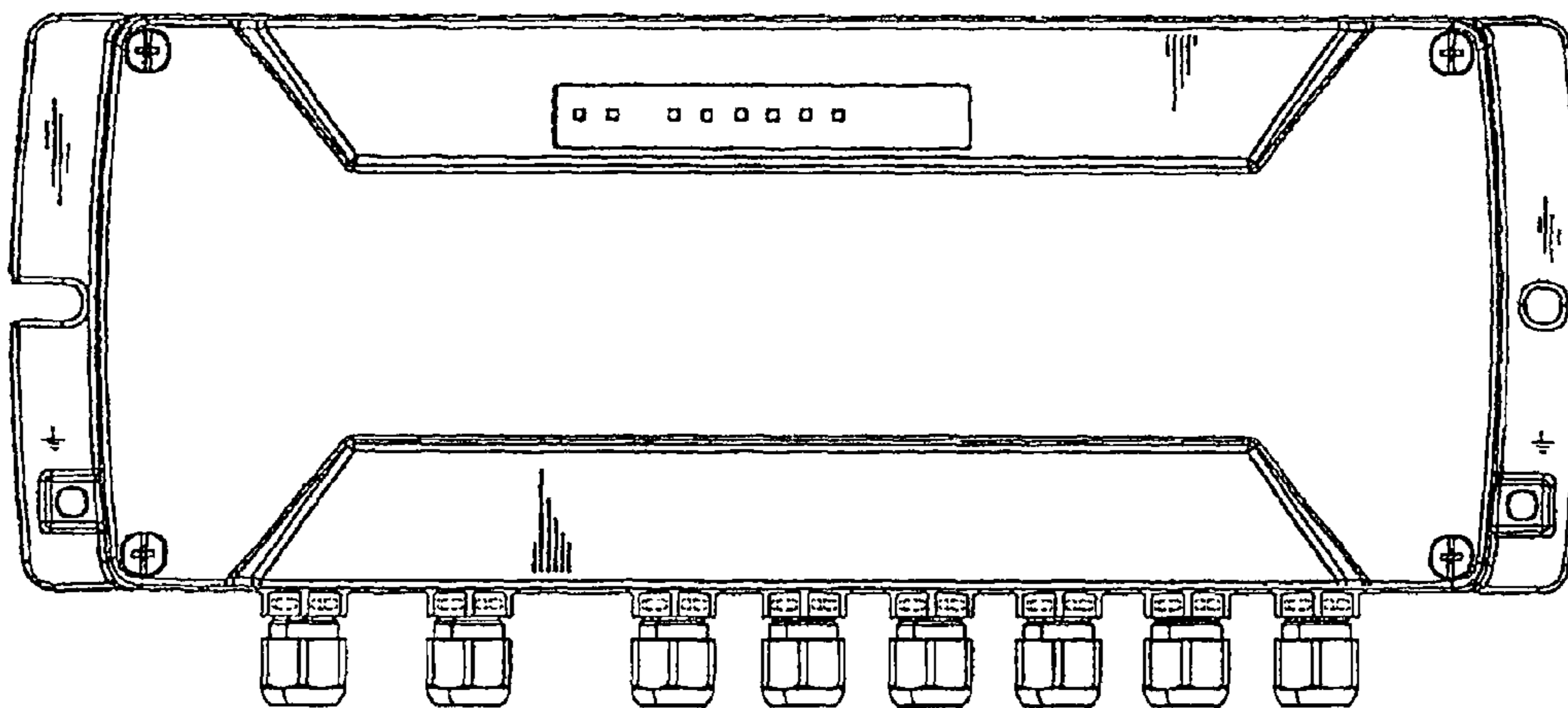


FIG 2

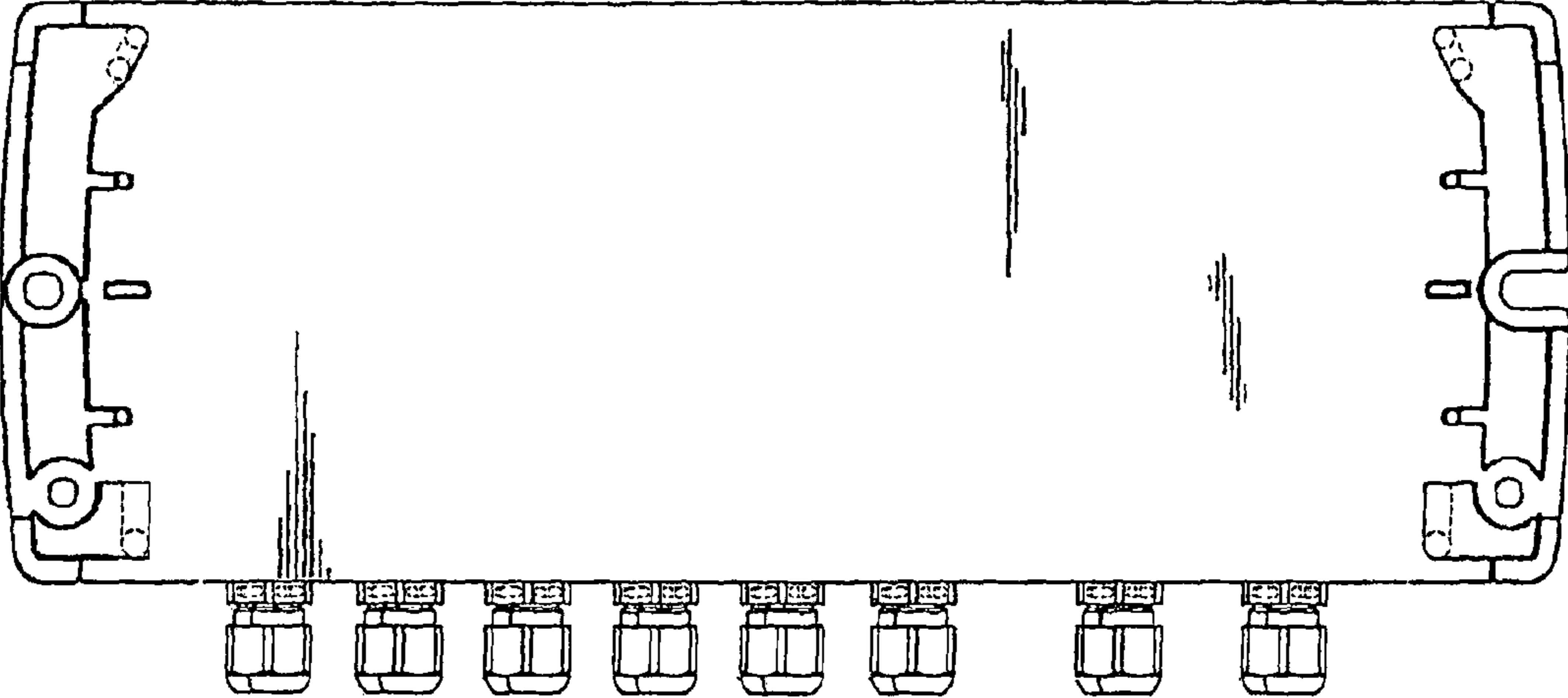


FIG 3



FIG 4

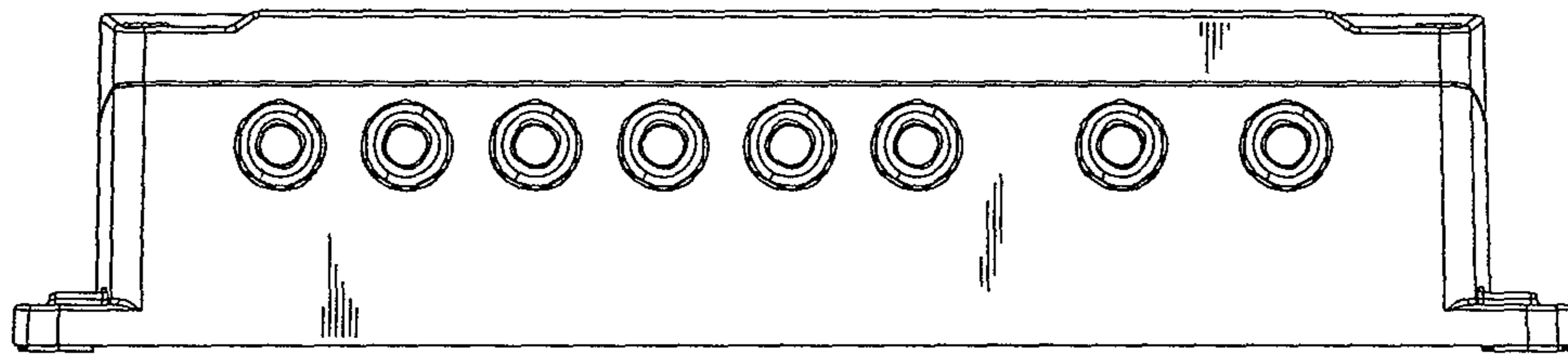


FIG 5

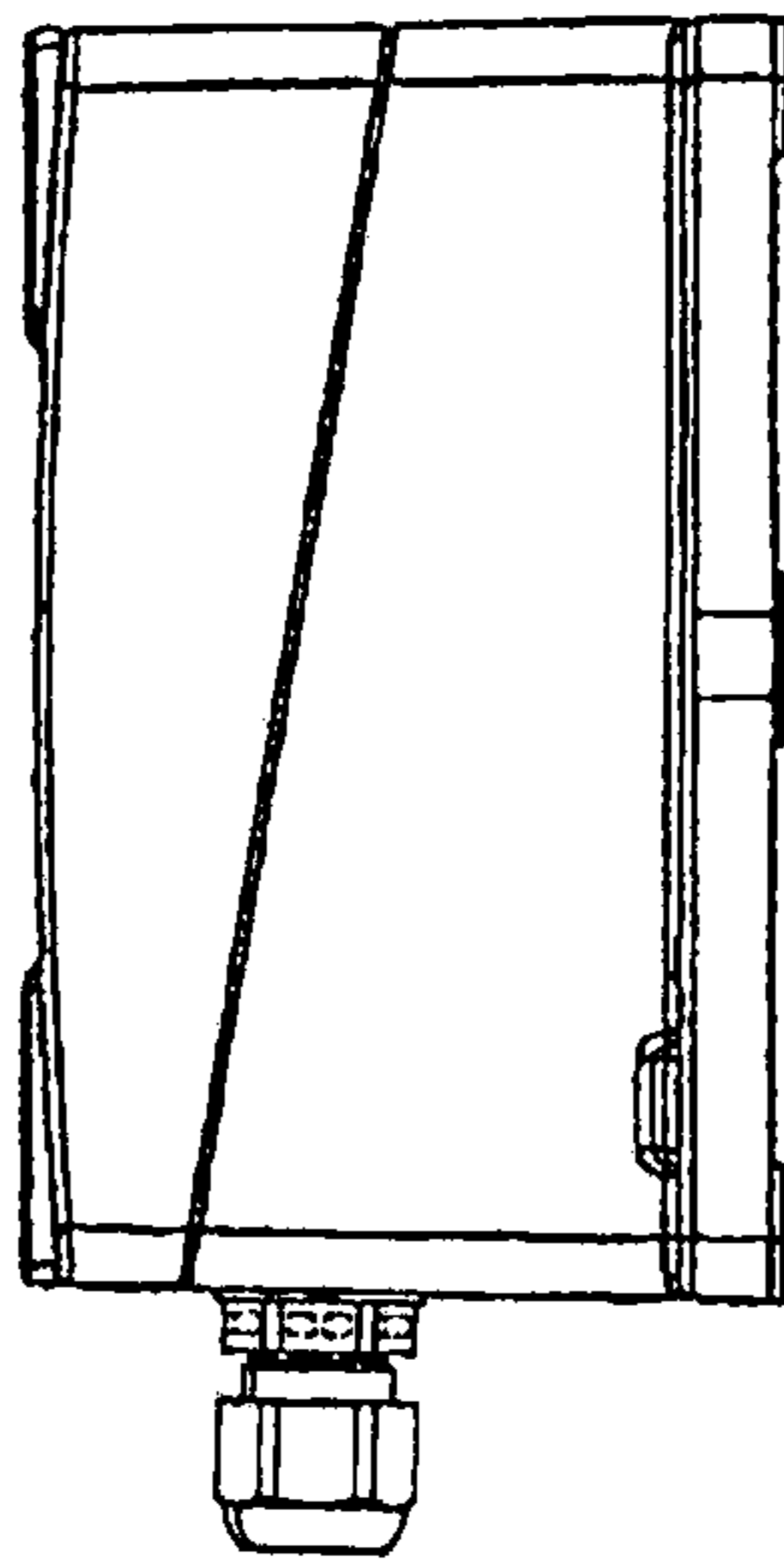


FIG 6

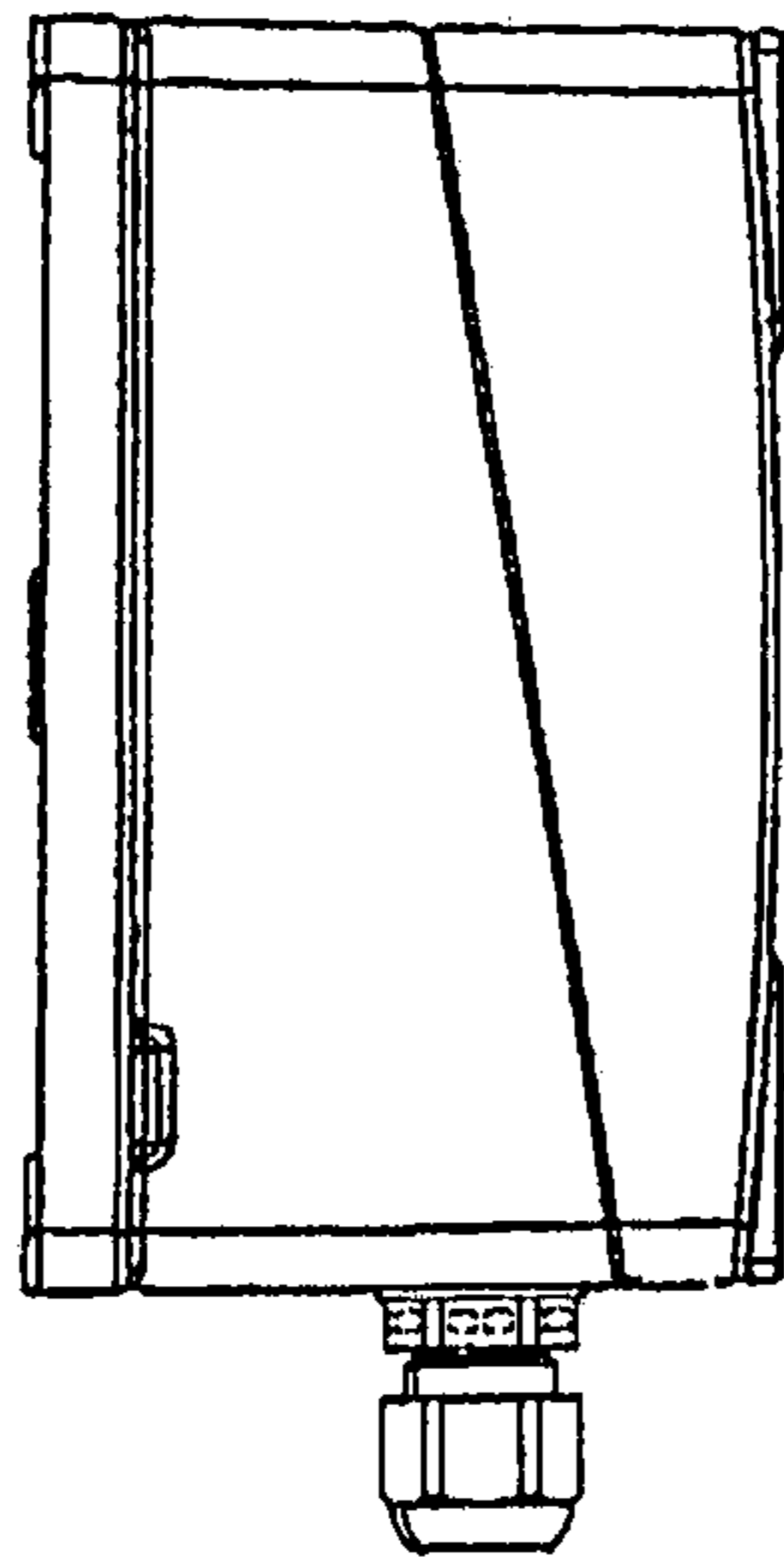


FIG 7

