

US00D703140S

(12) **United States Design Patent**  
**Dachs, II**

(10) **Patent No.:** **US D703,140 S**  
(45) **Date of Patent:** **\*\* Apr. 22, 2014**

(54) **CABLE CONNECTOR**

(71) Applicant: **Intuitive Surgical Operations, Inc.**,  
Sunnyvale, CA (US)

(72) Inventor: **Gregory W. Dachs, II**, San Mateo, CA  
(US)

(73) Assignee: **Intuitive Surgical Operations, Inc.**,  
Sunnyvale, CA (US)

(\*\*) Term: **14 Years**

(21) Appl. No.: **29/465,110**

(22) Filed: **Aug. 23, 2013**

**Related U.S. Application Data**

(62) Division of application No. 29/436,255, filed on Nov. 2, 2012, now Pat. No. Des. 691,092.

(51) **LOC (10) Cl.** ..... **13-03**

(52) **U.S. Cl.**  
USPC ..... **D13/146**

(58) **Field of Classification Search**  
USPC ..... D13/133, 146-147, 154, 158, 162, 173,  
D13/177, 184, 199; 439/344, 378, 395, 409,  
439/676, 607.04, 607.12, 607.14, 607.15,  
439/685, 692, 732, 907, 908; D1/107, 111;  
D14/432, 433, 438, 439; D21/488,  
D21/503, 597, 599

See application file for complete search history.

(56) **References Cited**

**U.S. PATENT DOCUMENTS**

D141,099 S 5/1945 Baumgardner  
D141,100 S 5/1945 Baumgardner  
3,184,703 A \* 5/1965 Piscitello et al. .... 439/335  
D290,458 S 6/1987 O'Leary

D342,937 S 1/1994 Angel, Jr. et al.  
D358,131 S 5/1995 Lorentzen  
D364,332 S 11/1995 Sachs  
D428,853 S 8/2000 Burwell et al.  
D533,501 S 12/2006 Wakefield et al.  
D543,148 S 5/2007 Suckle et al.  
D587,205 S \* 2/2009 Wu et al. .... D13/133  
D617,272 S 6/2010 The  
8,052,470 B1 11/2011 Lin  
8,083,548 B1 12/2011 Lin  
D658,586 S 5/2012 Lin  
D668,225 S 10/2012 Lyford et al.  
D668,226 S 10/2012 Lyford et al.

(Continued)

**OTHER PUBLICATIONS**

Co-pending U.S. Appl. No. 61/721,870, filed Nov. 2, 2012.

*Primary Examiner* — Derrick Holland

*Assistant Examiner* — Lauren Calve

(57) **CLAIM**

The ornamental design for a cable connector, as shown and described.

**DESCRIPTION**

FIG. 1 is a perspective view of a cable connector of my new design.

FIG. 2 is a second perspective view of the cable connector of FIG. 1.

FIG. 3 is a front view of the cable connector of FIG. 1.

FIG. 4 is a bottom view of the cable connector of FIG. 1.

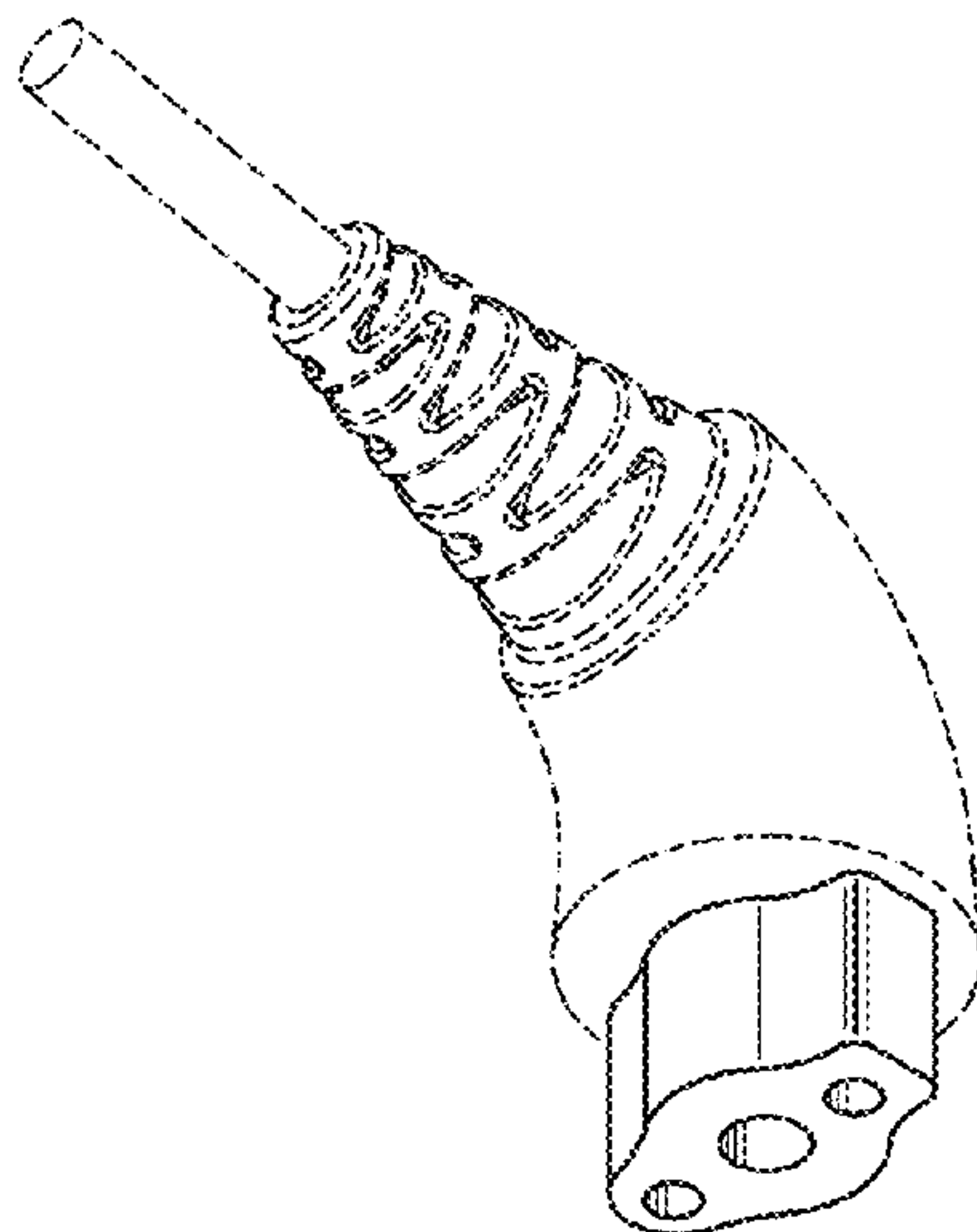
FIG. 5 is a left side view of the cable connector of FIG. 1.

FIG. 6 is a top view of the cable connector of FIG. 1; and,

FIG. 7 is a right side view of the cable connector of FIG. 1.

The broken line showing of a cable connector represents unclaimed subject matter and forms no part of the claimed design.

**1 Claim, 2 Drawing Sheets**



(56)

**References Cited**

U.S. PATENT DOCUMENTS

D672,718 S 12/2012 Lyford et al.  
D672,719 S 12/2012 Lyford et al.  
D672,720 S 12/2012 Lyford et al.  
D672,722 S 12/2012 Kreitzer et al.

D672,723 S 12/2012 Kreitzer et al.  
D673,119 S 12/2012 Lyford et al.  
D673,120 S 12/2012 Lyford et al.  
D673,121 S 12/2012 Lyford et al.  
D682,787 S 5/2013 Lyford et al.  
D691,092 S 10/2013 Dachs  
2004/0152354 A1 8/2004 Luther et al.

\* cited by examiner

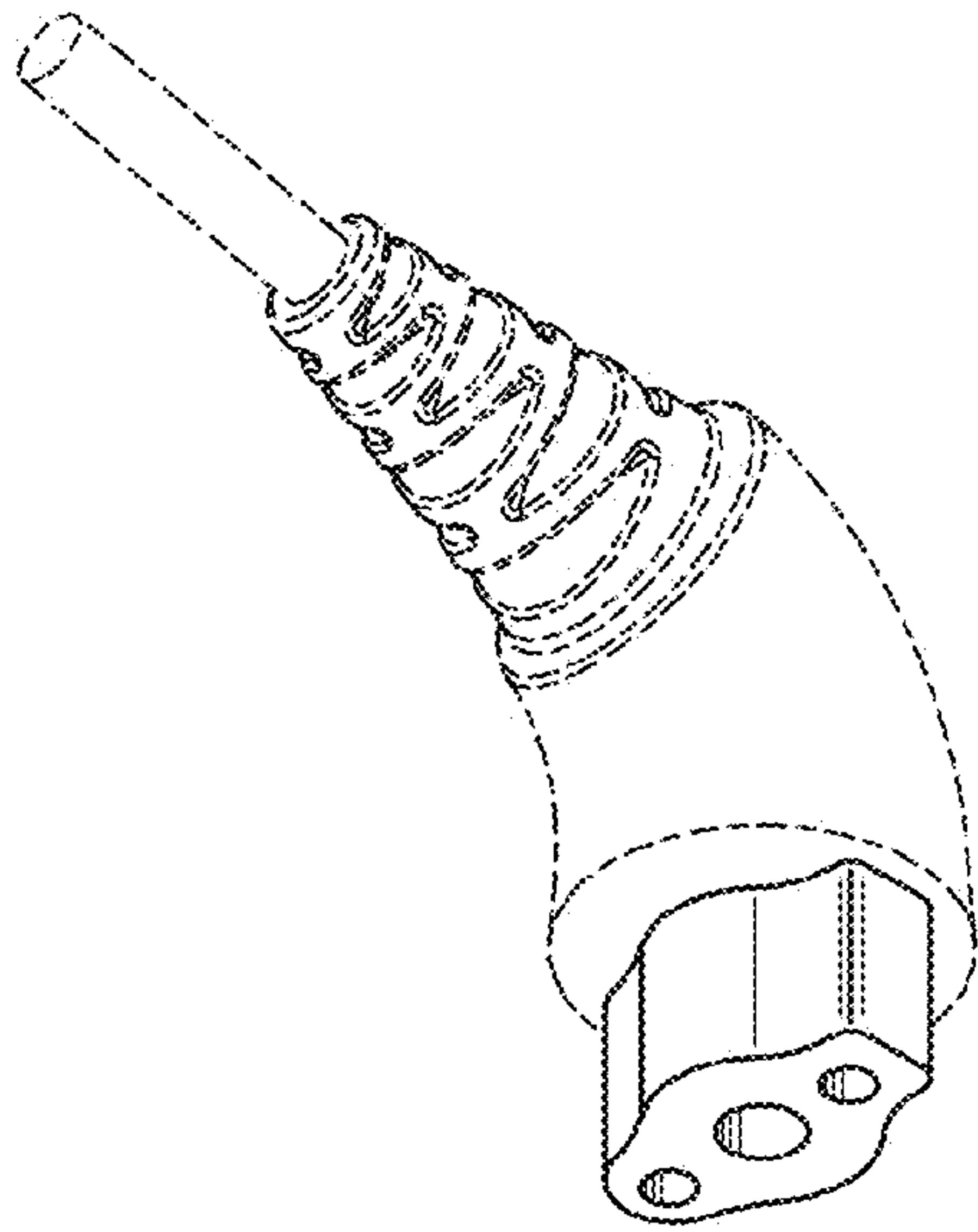


FIG. 1

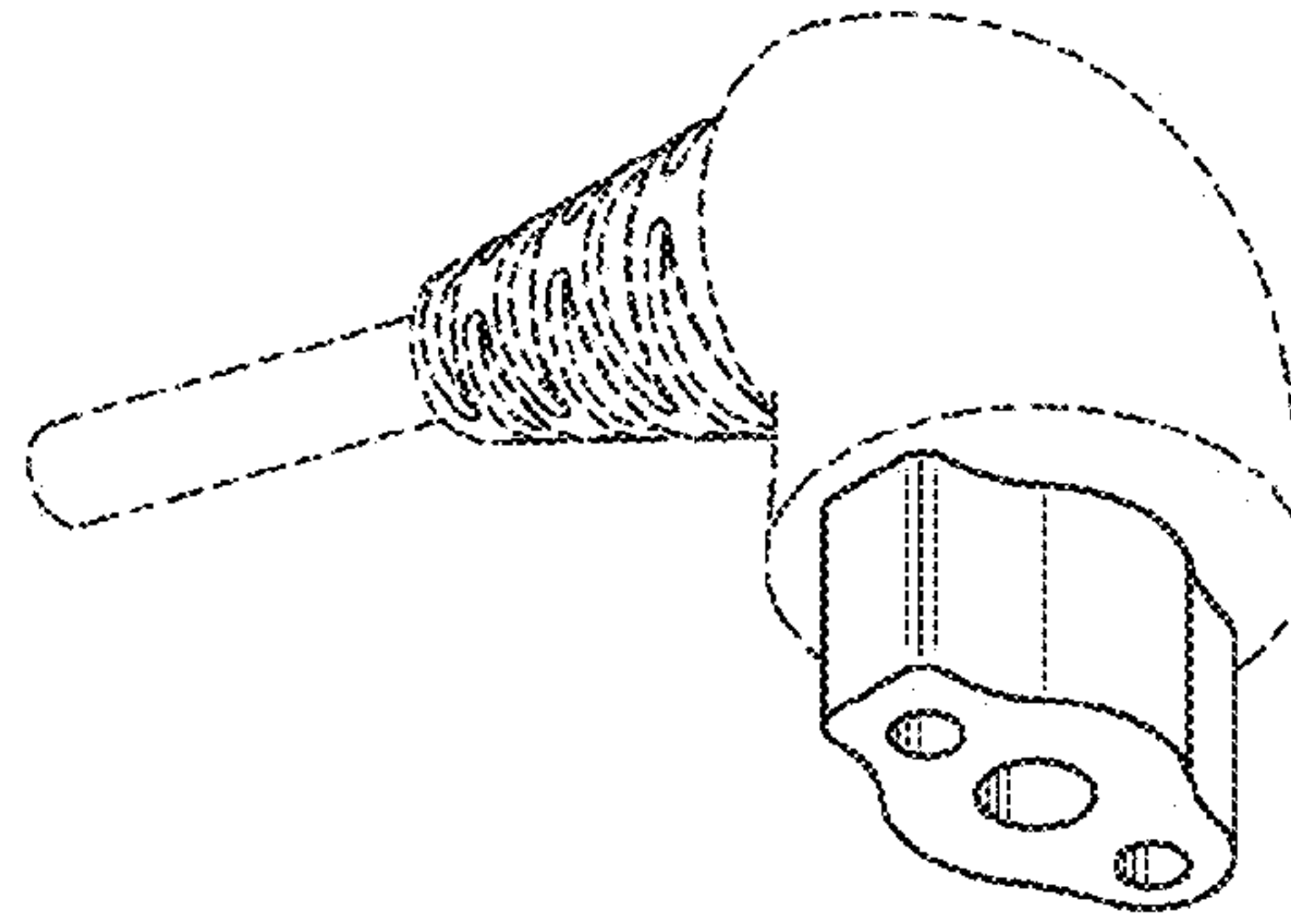


FIG. 2

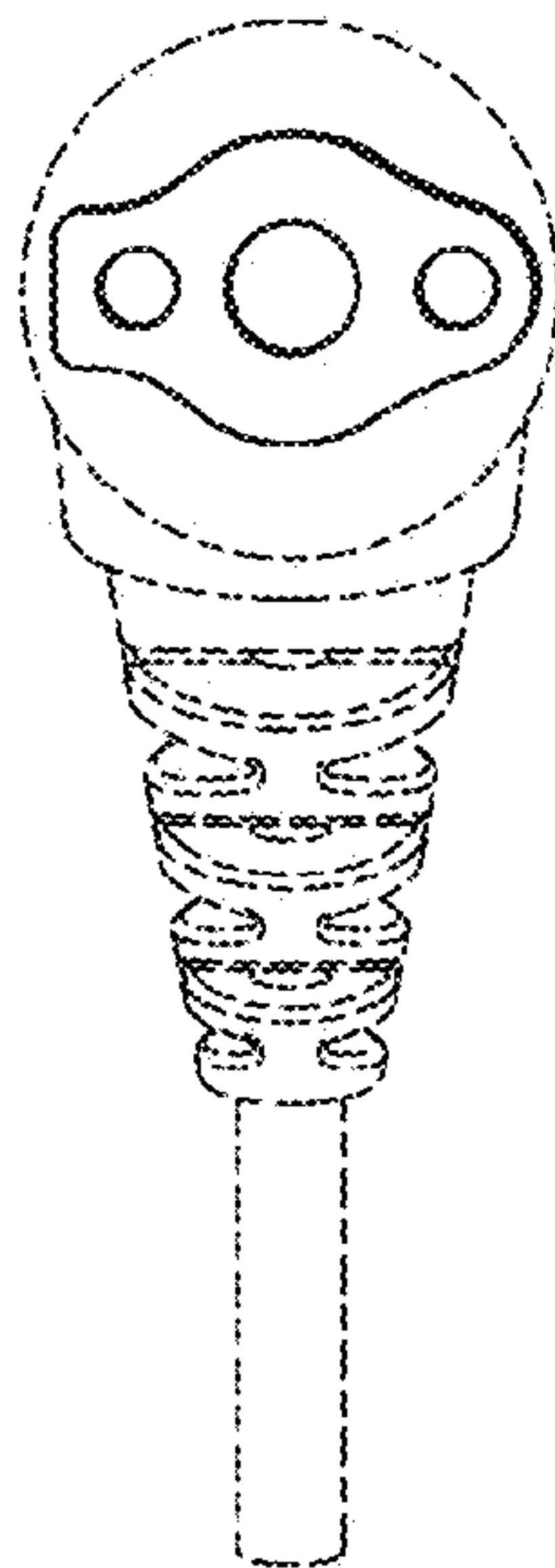


FIG. 3



FIG. 4

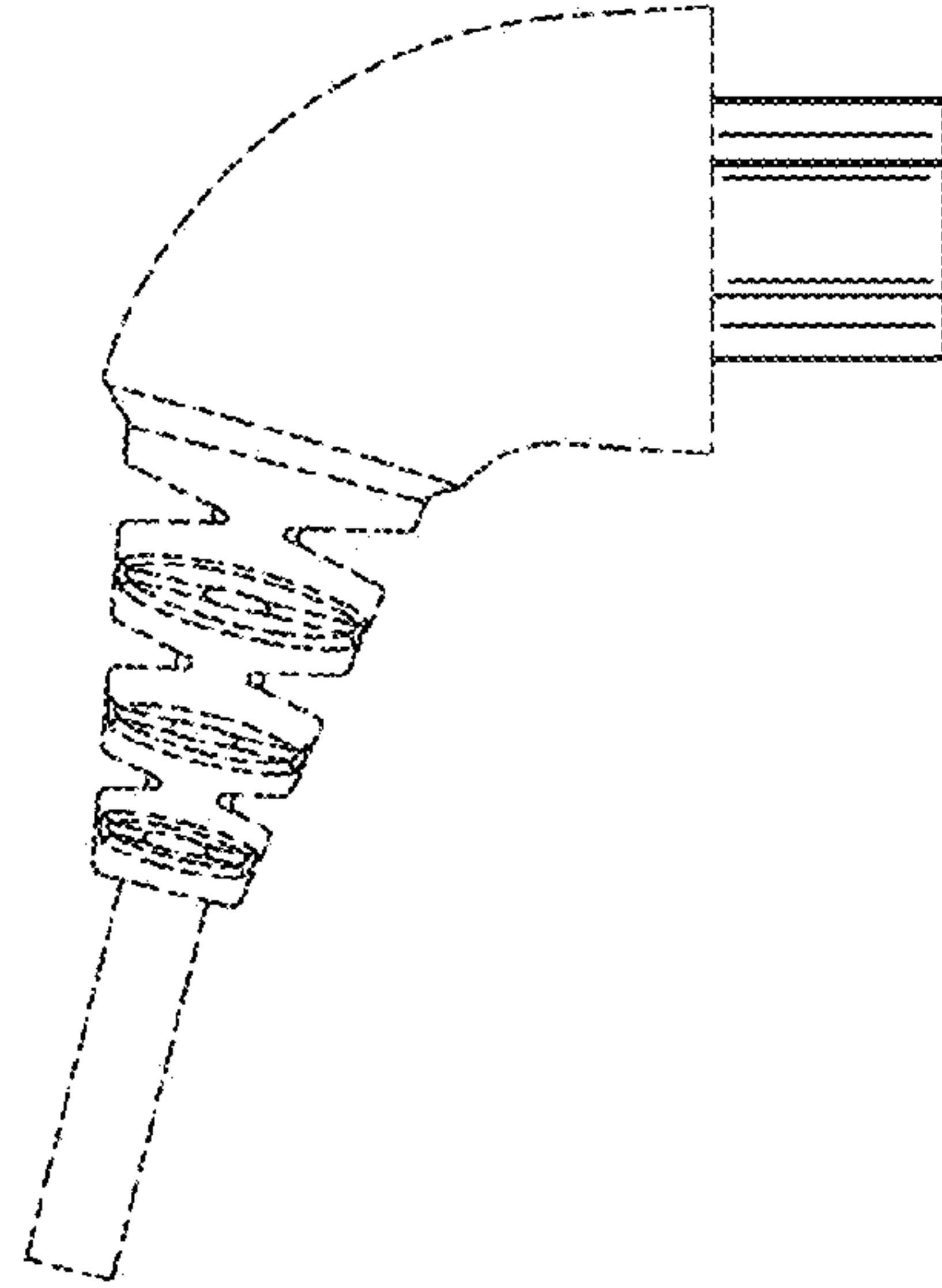


FIG. 5



FIG. 6

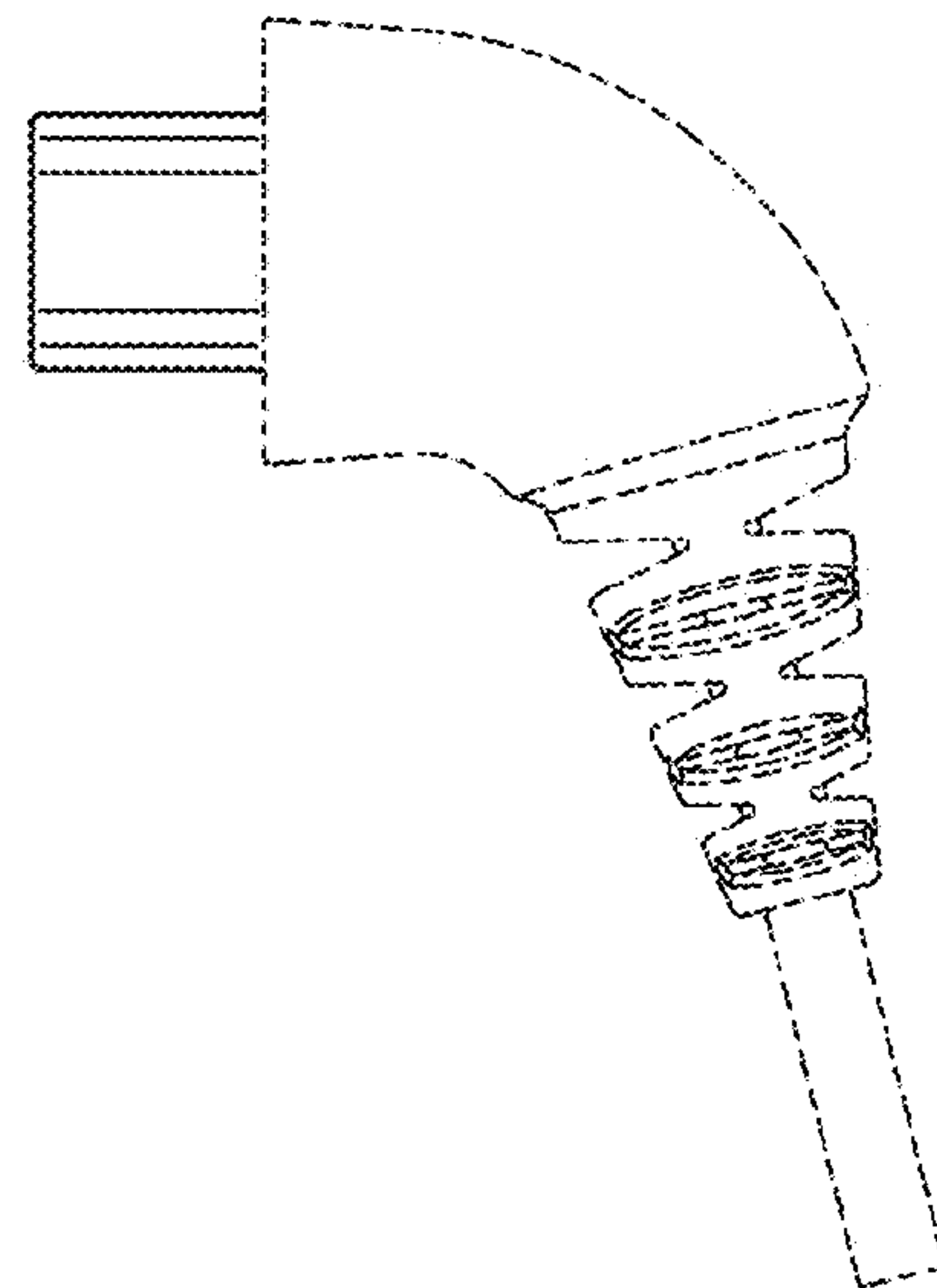


FIG. 7