



US00D703138S

(12) **United States Design Patent**
Weiland

(10) **Patent No.:** **US D703,138 S**
(45) **Date of Patent:** **** Apr. 22, 2014**

(54) **CASING**

(71) Applicant: **bopla Gehäuse Systeme GmbH**, Bünde (DE)

(72) Inventor: **Christian Weiland**, Nürnberg (DE)

(73) Assignee: **bopla Gehäuse Systeme GmbH**, Bünde (DE)

(**) Term: **14 Years**

(21) Appl. No.: **29/440,394**

(22) Filed: **Dec. 21, 2012**

(30) **Foreign Application Priority Data**

Jun. 22, 2012 (EM) 001331987-0002
Jun. 22, 2012 (EM) 001331987-0003

(51) **LOC (10) Cl.** **13-03**

(52) **U.S. Cl.**
USPC **D13/133**

(58) **Field of Classification Search**
USPC D13/152, 184, 162; 220/793, 3.7, 3.8, 220/3.2; D3/294, 302; D7/602, 605, 609, D7/629; D9/420, 421, 424, 425, 432, 435, D9/560, 734; D10/104, 104.1; 174/50, 57, 174/58; 361/645, 641, 600
See application file for complete search history.

(56) **References Cited**

U.S. PATENT DOCUMENTS

D399,190 S * 10/1998 Dale et al. D13/184
5,907,127 A * 5/1999 Daoud 174/57
D419,526 S * 1/2000 Hardi-Haasz D13/154
D459,124 S * 6/2002 Le et al. D9/734
D494,940 S * 8/2004 Fiocchi D13/184
D495,248 S * 8/2004 Krebs et al. D3/302
D500,746 S * 1/2005 Gavel et al. D13/184

7,265,292 B2 * 9/2007 Greenfield 174/67
7,326,853 B2 * 2/2008 Fontana et al. 174/50
7,619,162 B2 * 11/2009 Dinh et al. 174/58
D622,061 S * 8/2010 Higginson D3/302
D650,585 S * 12/2011 Jamison et al. D3/294
2006/0032765 A1 * 2/2006 Morhard et al. 206/278
2007/0012710 A1 * 1/2007 Vovan 220/793

OTHER PUBLICATIONS

Bocube, dated Oct. 2010, Phoenix Mecano Inc.[online], site visited on Dec. 24, 2013, <http://www.rose-bopla.com/PDF_Files/Ch_05_Instrumentation/BOCUBE/Bocube02-2013.pdf>.*

* cited by examiner

Primary Examiner — Deanna L Pratt
Assistant Examiner — Harold Blackwell, II
(74) *Attorney, Agent, or Firm* — Gudrun E. Hockett

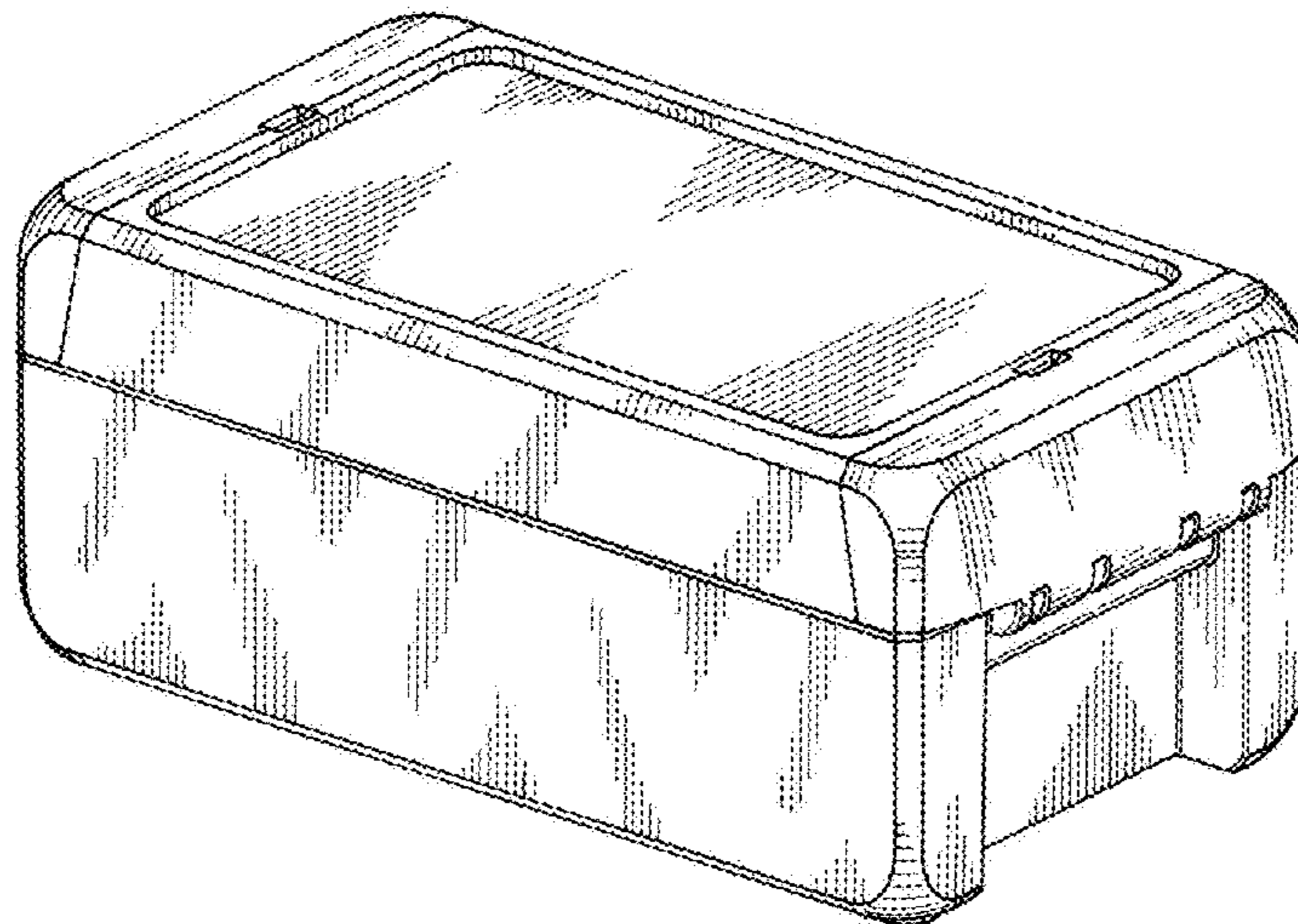
(57) **CLAIM**

The ornamental design for a casing, as shown and described.

DESCRIPTION

FIG. 1 is a perspective view of a casing showing a first embodiment of my new design;
FIG. 2 is a top plan view thereof;
FIG. 3 is a left side view thereof;
FIG. 4 is a right side view thereof;
FIG. 5 is a rear view thereof;
FIG. 6 is a front view thereof;
FIG. 7 is a bottom plan view thereof.
FIG. 8 is a perspective view of a casing showing a second embodiment of my new design;
FIG. 9 is a top plan view thereof;
FIG. 10 is a left side view thereof;
FIG. 11 is a right side view thereof;
FIG. 12 is a rear view thereof;
FIG. 13 is a front view thereof; and,
FIG. 14 is a bottom plan view thereof.

1 Claim, 14 Drawing Sheets



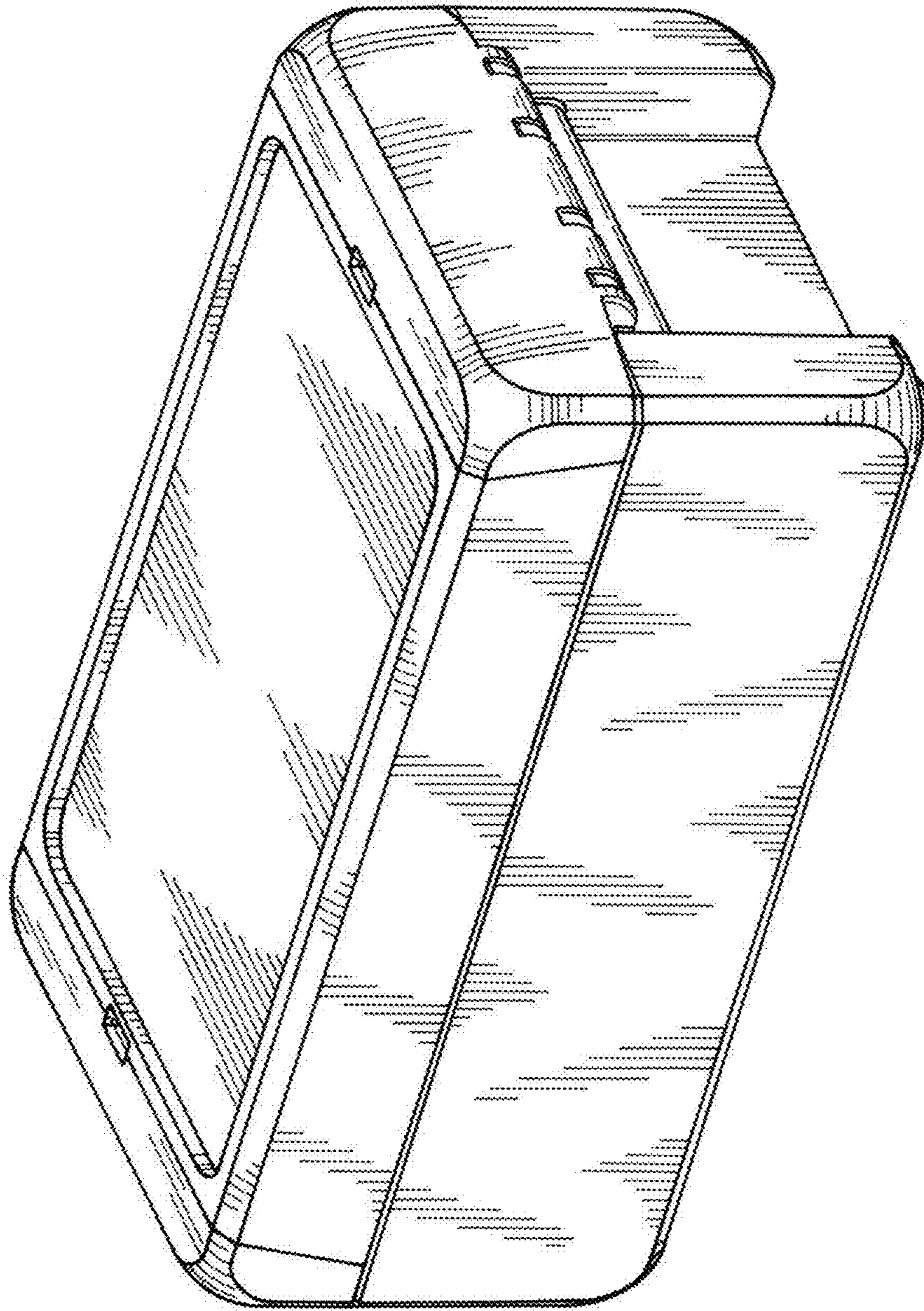


Fig. 1

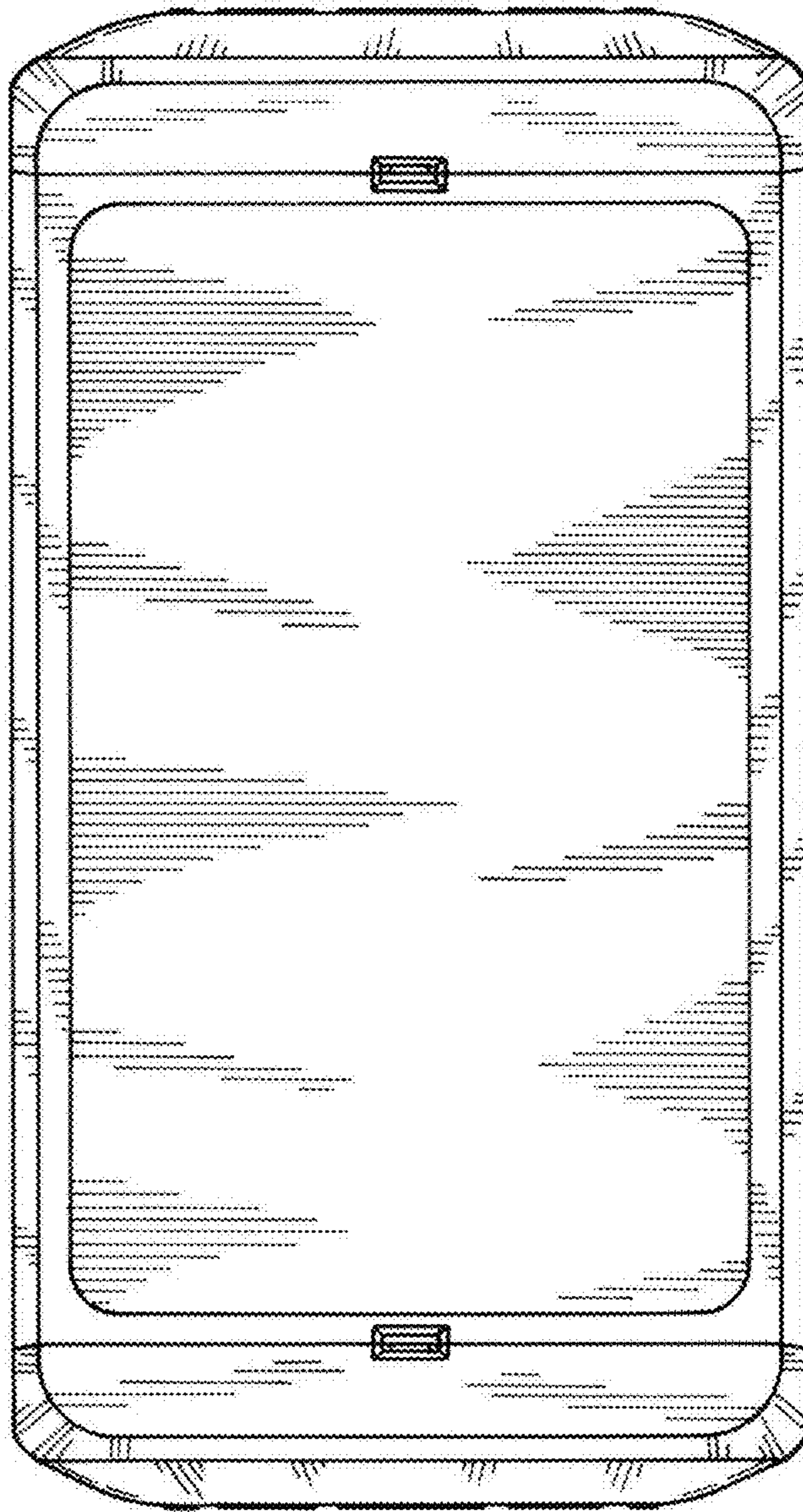


Fig. 2

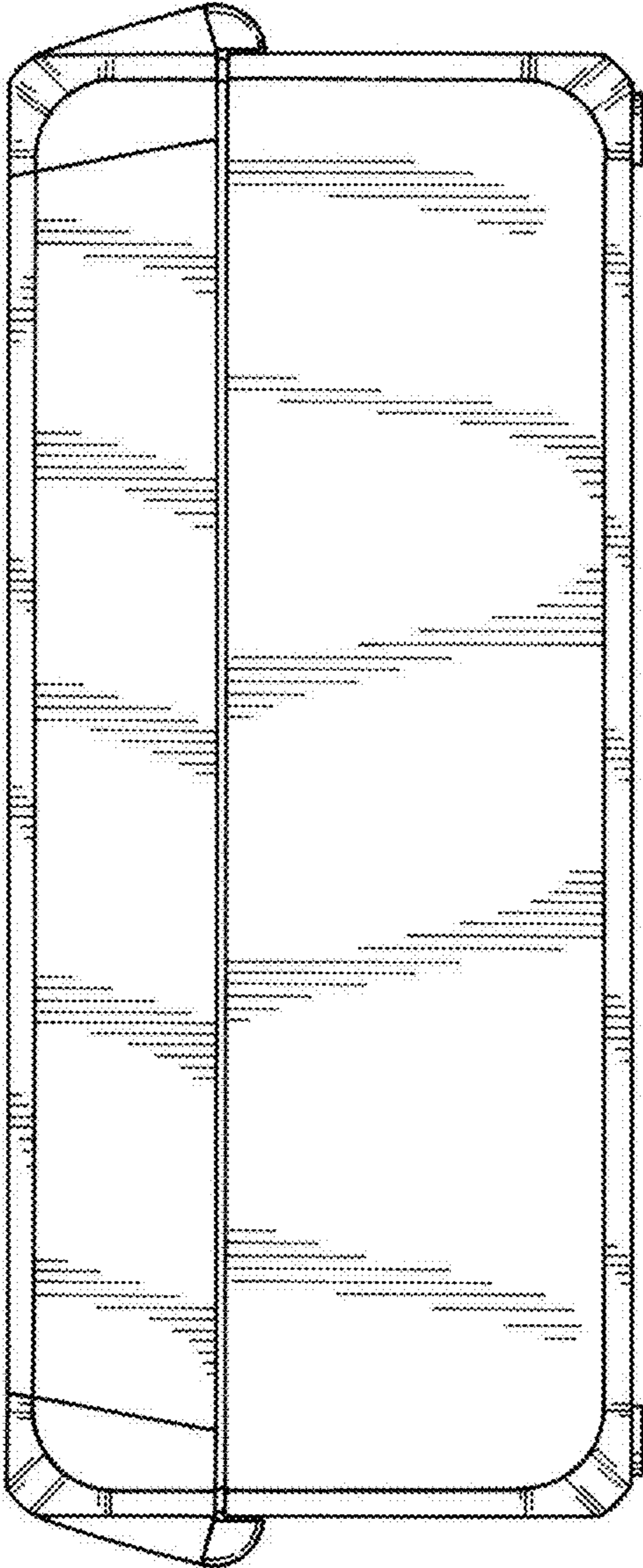


Fig. 3

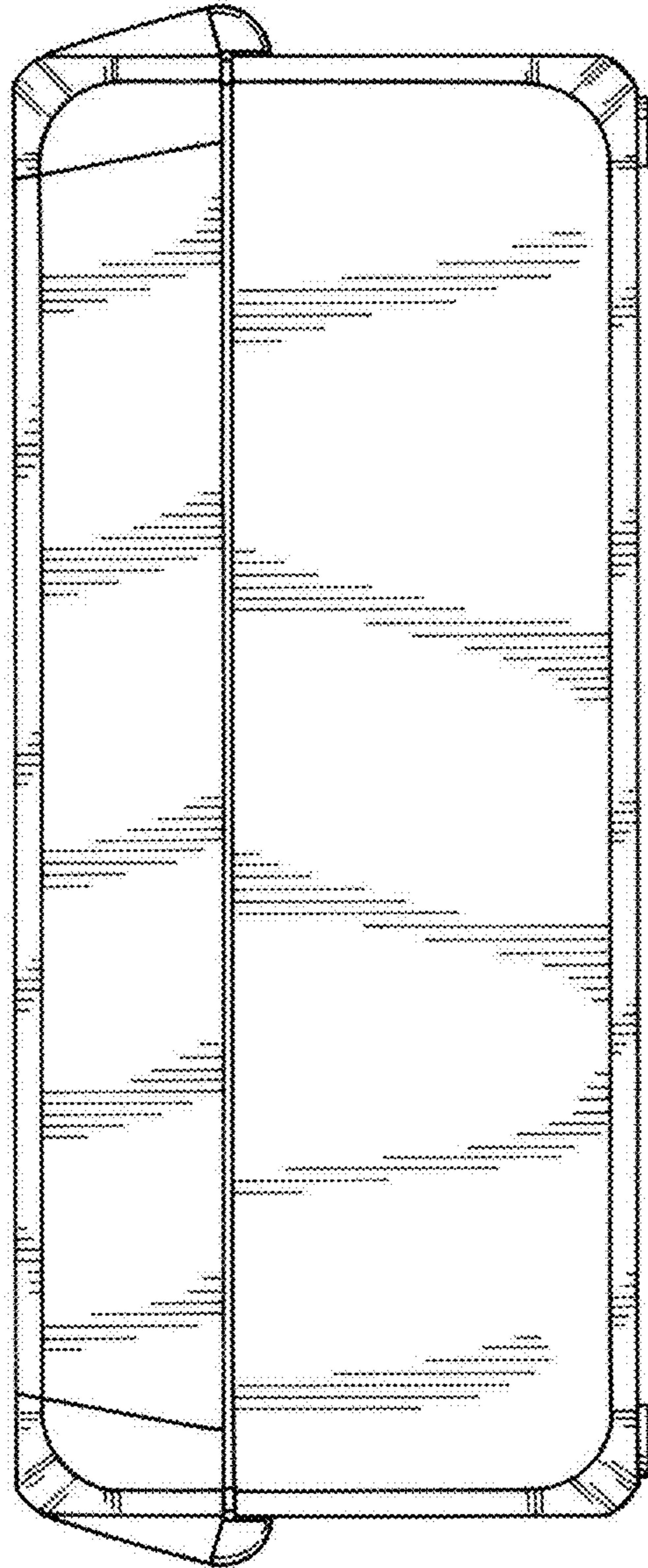


Fig. 4

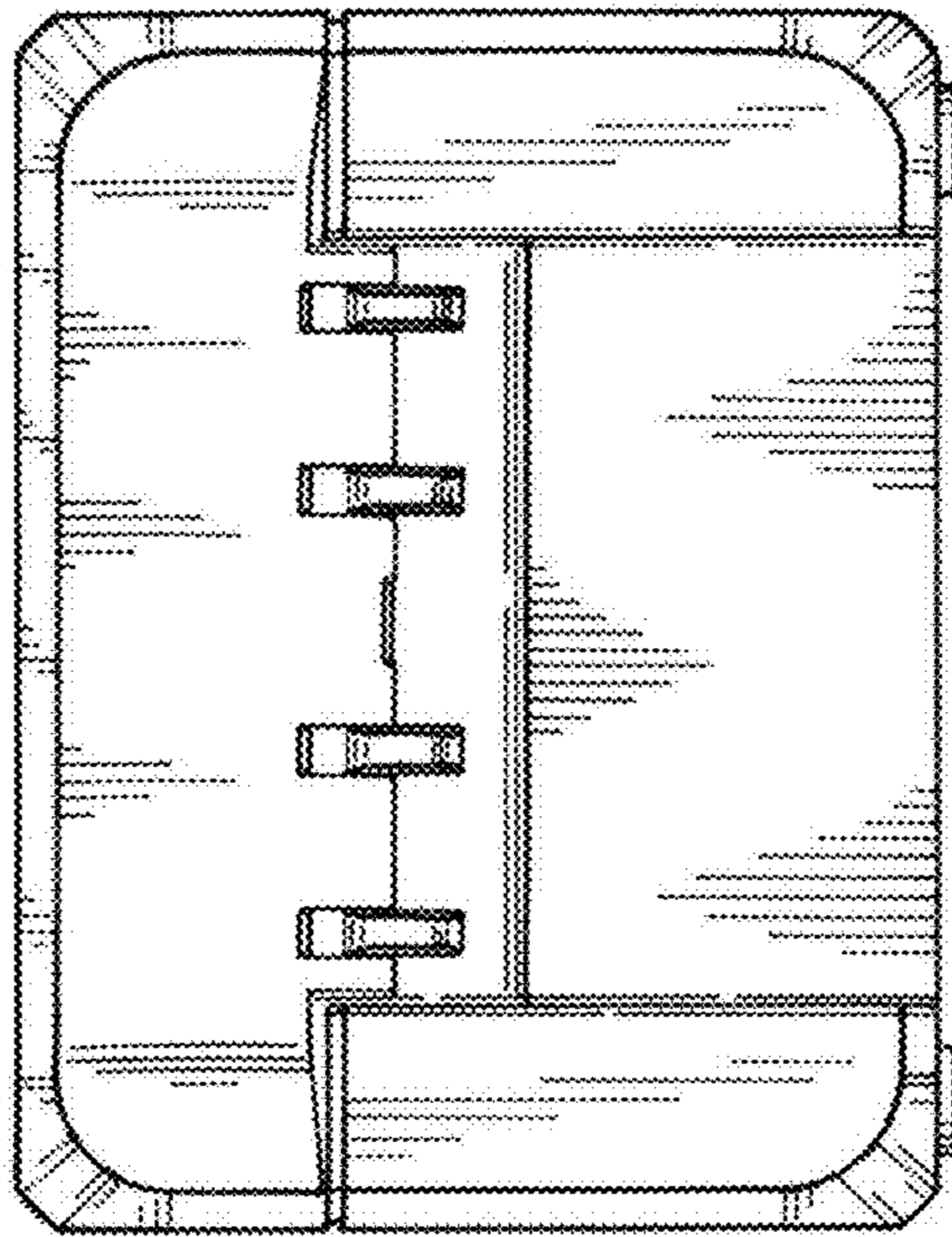


Fig. 5

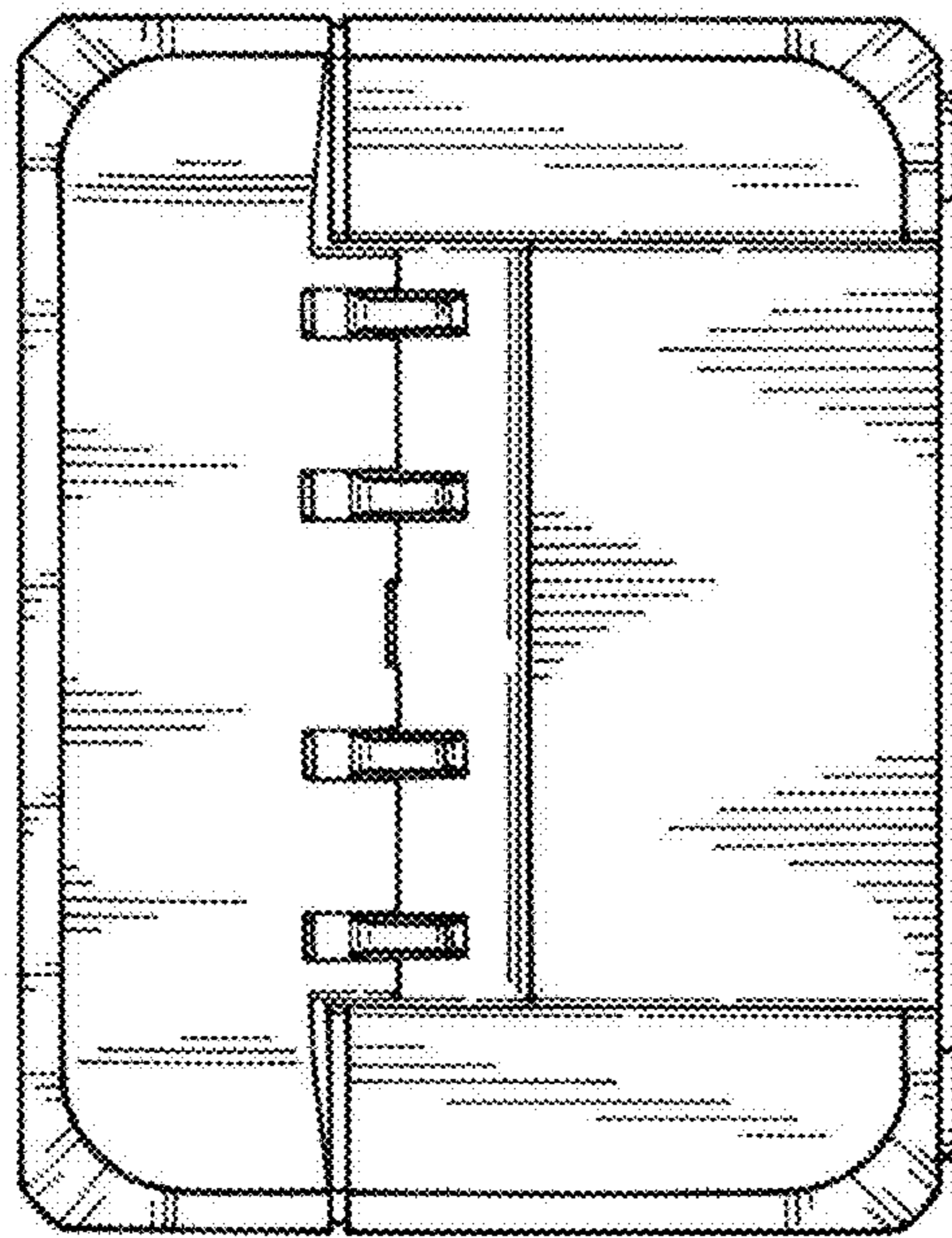


Fig. 6

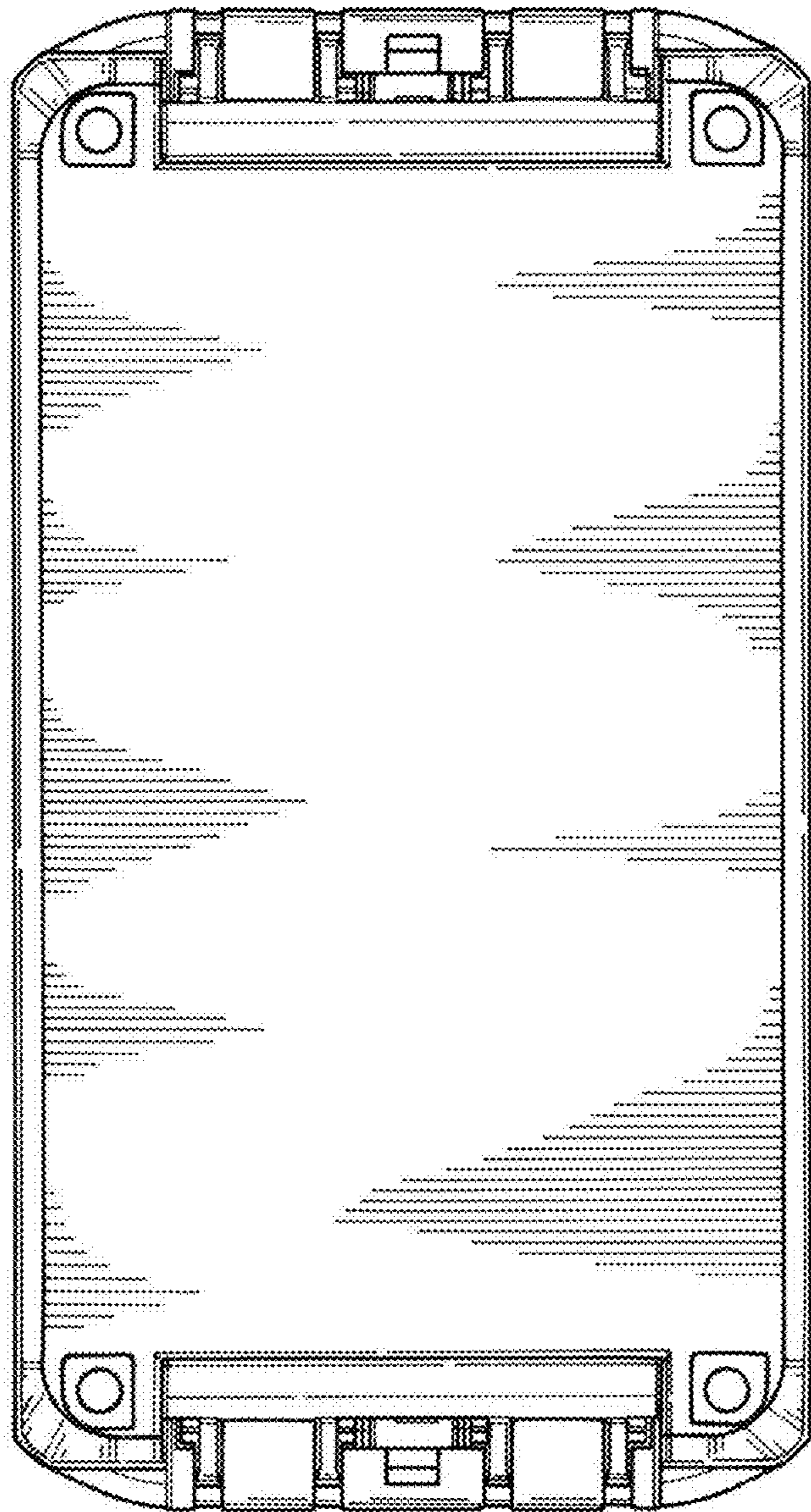


Fig. 7

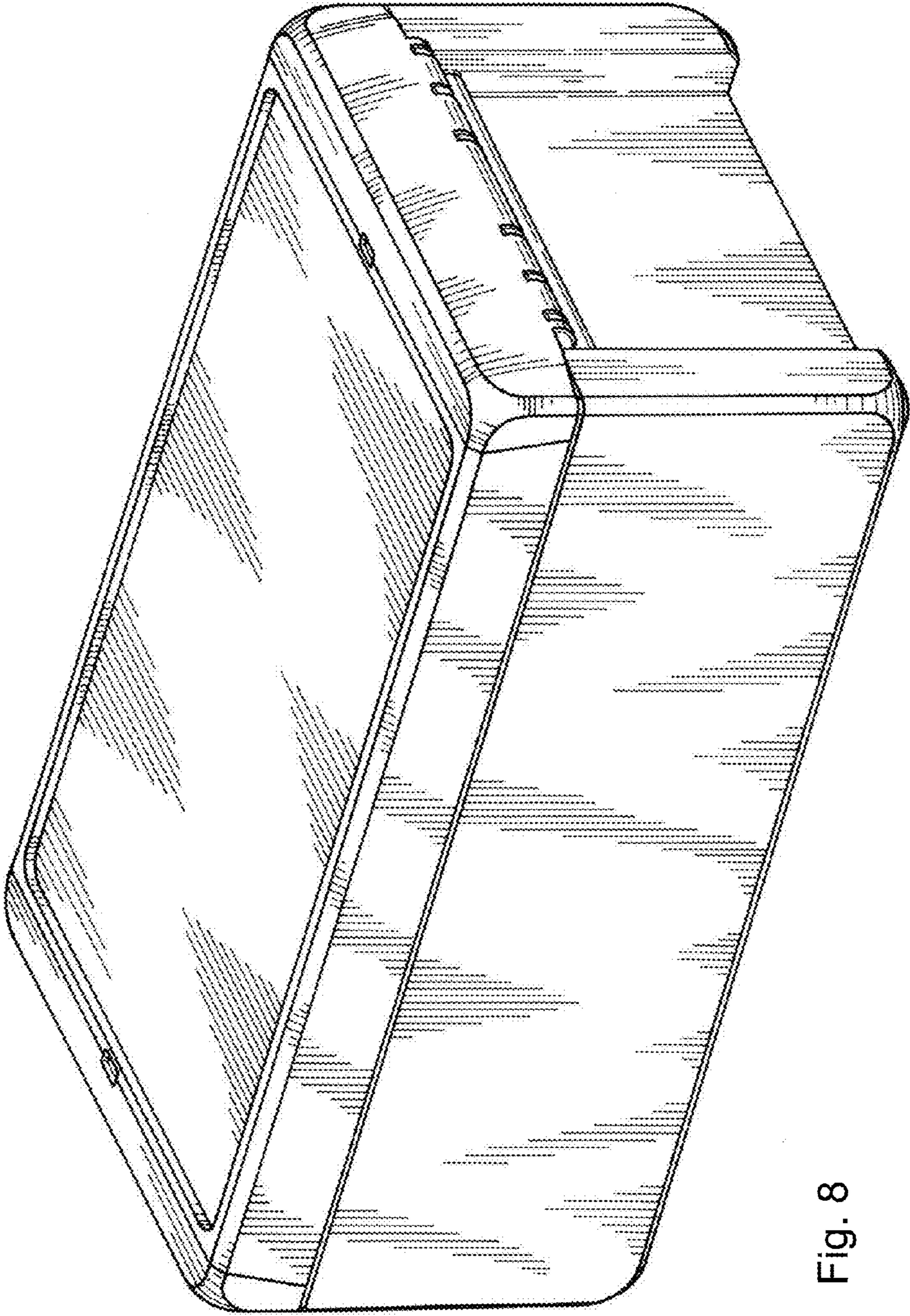


Fig. 8

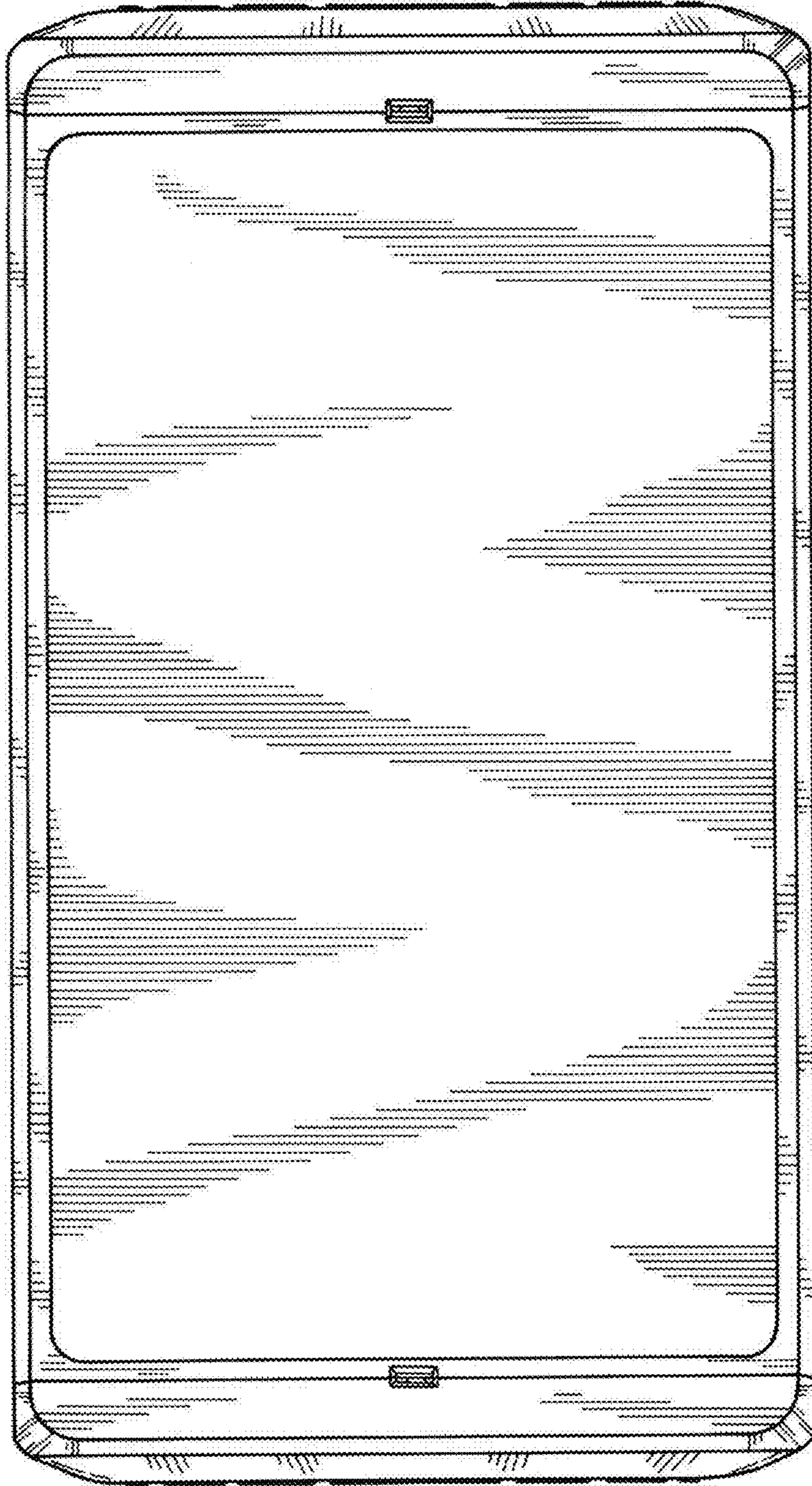


Fig. 9

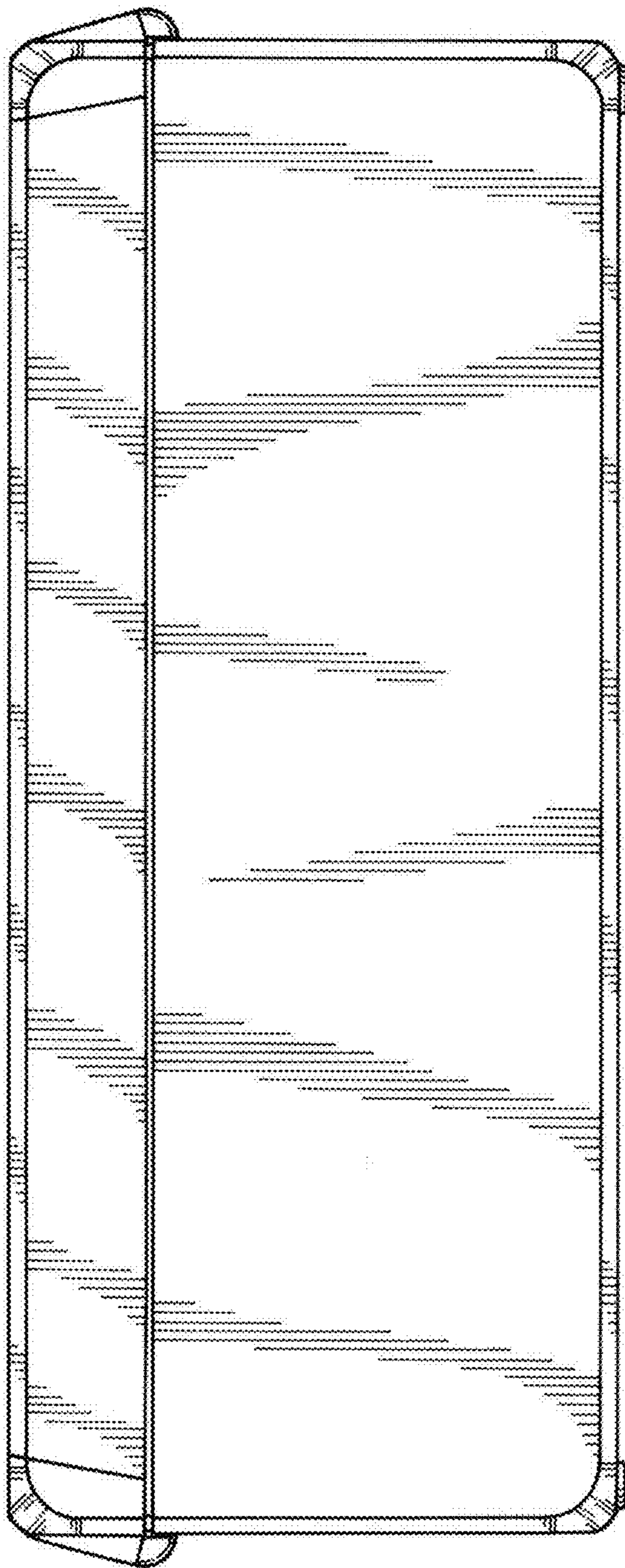


Fig. 10

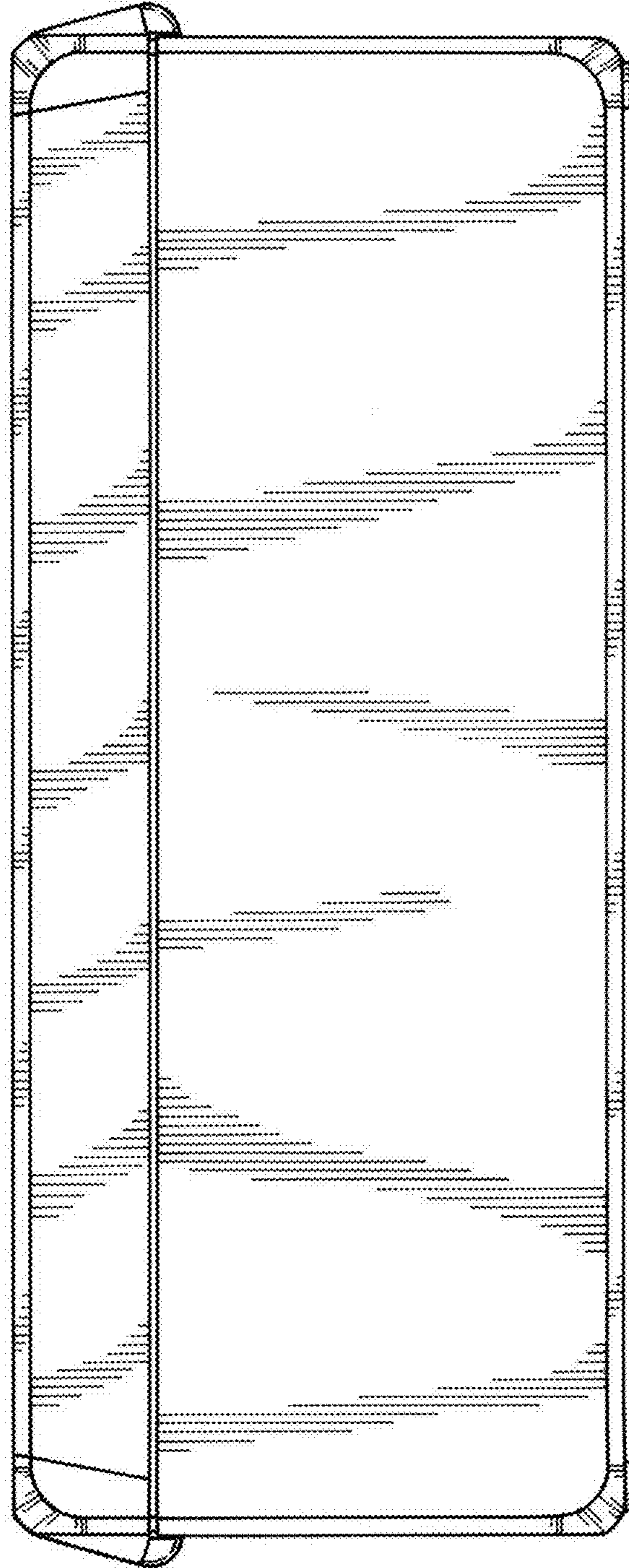


Fig. 11

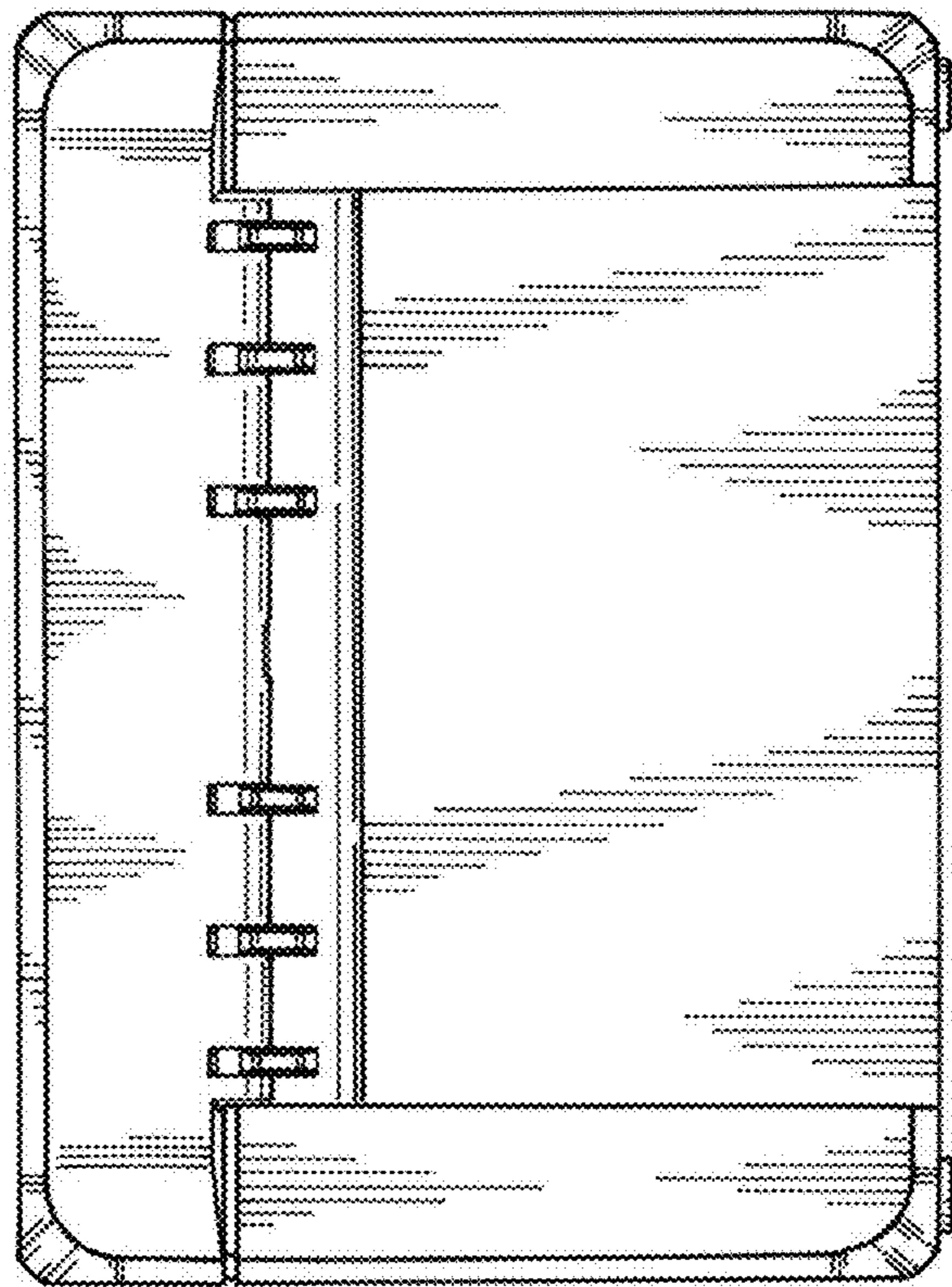


Fig. 12

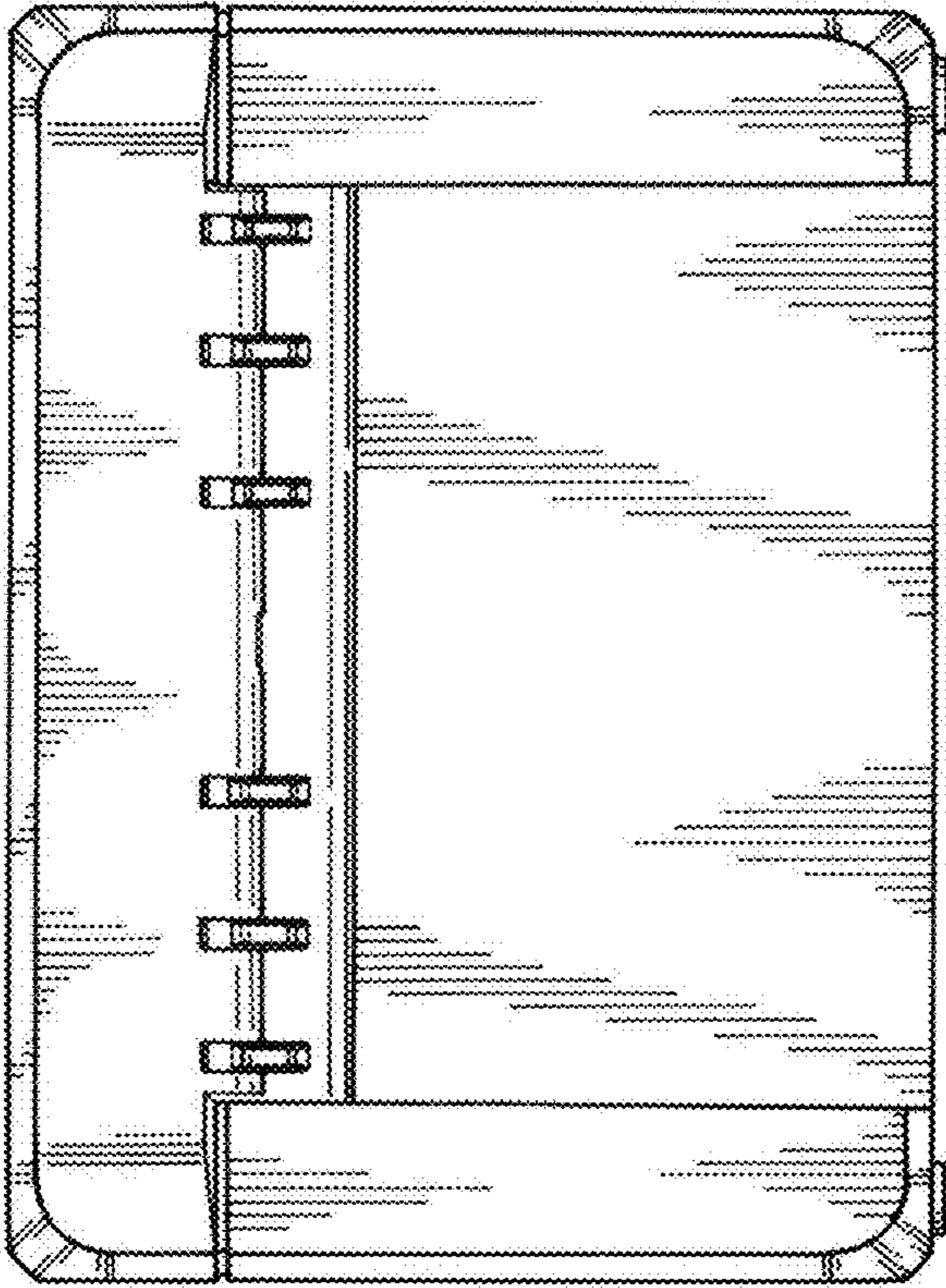


Fig. 13

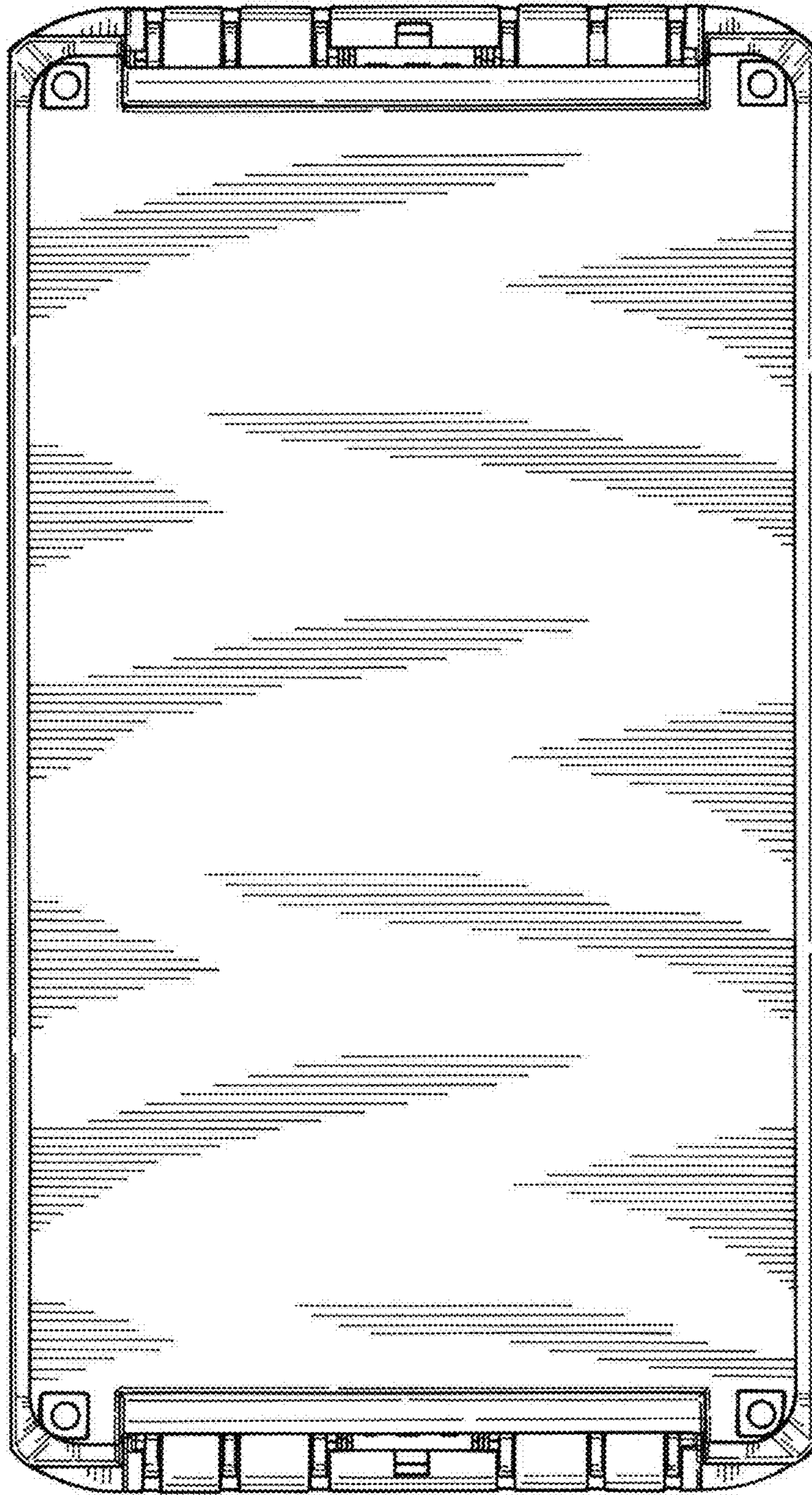


Fig. 14