

US00D703133S

(12) **United States Design Patent**  
**Ireland et al.**

(10) **Patent No.:** **US D703,133 S**

(45) **Date of Patent:** **\*\* Apr. 22, 2014**

(54) **CHARGING APPARATUS**

(71) Applicant: **Dyson Technology Limited**, Wiltshire  
(GB)

(72) Inventors: **Simon Edward Ireland**, Malmesbury  
(GB); **Leanne Joyce Garner**,  
Malmesbury (GB)

(73) Assignee: **Dyson Technology Limited**,  
Malmesbury, Wiltshire (GB)

(\*\*) Term: **14 Years**

(21) Appl. No.: **29/461,111**

(22) Filed: **Jul. 18, 2013**

(30) **Foreign Application Priority Data**

Jan. 22, 2013 (EM) ..... 001358196-0001

(51) **LOC (10) Cl.** ..... **13-02**

(52) **U.S. Cl.**  
USPC ..... **D13/108**

(58) **Field of Classification Search**  
USPC ..... D13/107-110, 118-119, 184, 199;  
D14/251, 253, 432, 434; 320/107-115

See application file for complete search history.

(56) **References Cited**

U.S. PATENT DOCUMENTS

D516,562 S *	3/2006	Solomon et al. ....	D14/434
D520,013 S *	5/2006	Yang .....	D14/434
D607,817 S *	1/2010	Tan .....	D13/108
D635,918 S *	4/2011	Le et al. ....	D13/108
D637,952 S *	5/2011	Tan .....	D13/108
D642,519 S *	8/2011	Woo et al. ....	D13/108
D643,842 S *	8/2011	Marshall et al. ....	D14/434
D644,645 S *	9/2011	Huang et al. ....	D14/434
D674,336 S *	1/2013	Suzuka et al. ....	D13/108
D674,337 S *	1/2013	Au Yeung .....	D13/108
D689,869 S *	9/2013	Bae .....	D14/434
D690,647 S *	10/2013	Huang et al. ....	D13/108
D693,296 S *	11/2013	Lin et al. ....	D13/108
2009/0051319 A1 *	2/2009	Fang et al. ....	320/115

\* cited by examiner

*Primary Examiner* — Rosemary K Tarcza

(74) *Attorney, Agent, or Firm* — Morrison & Foerster LLP

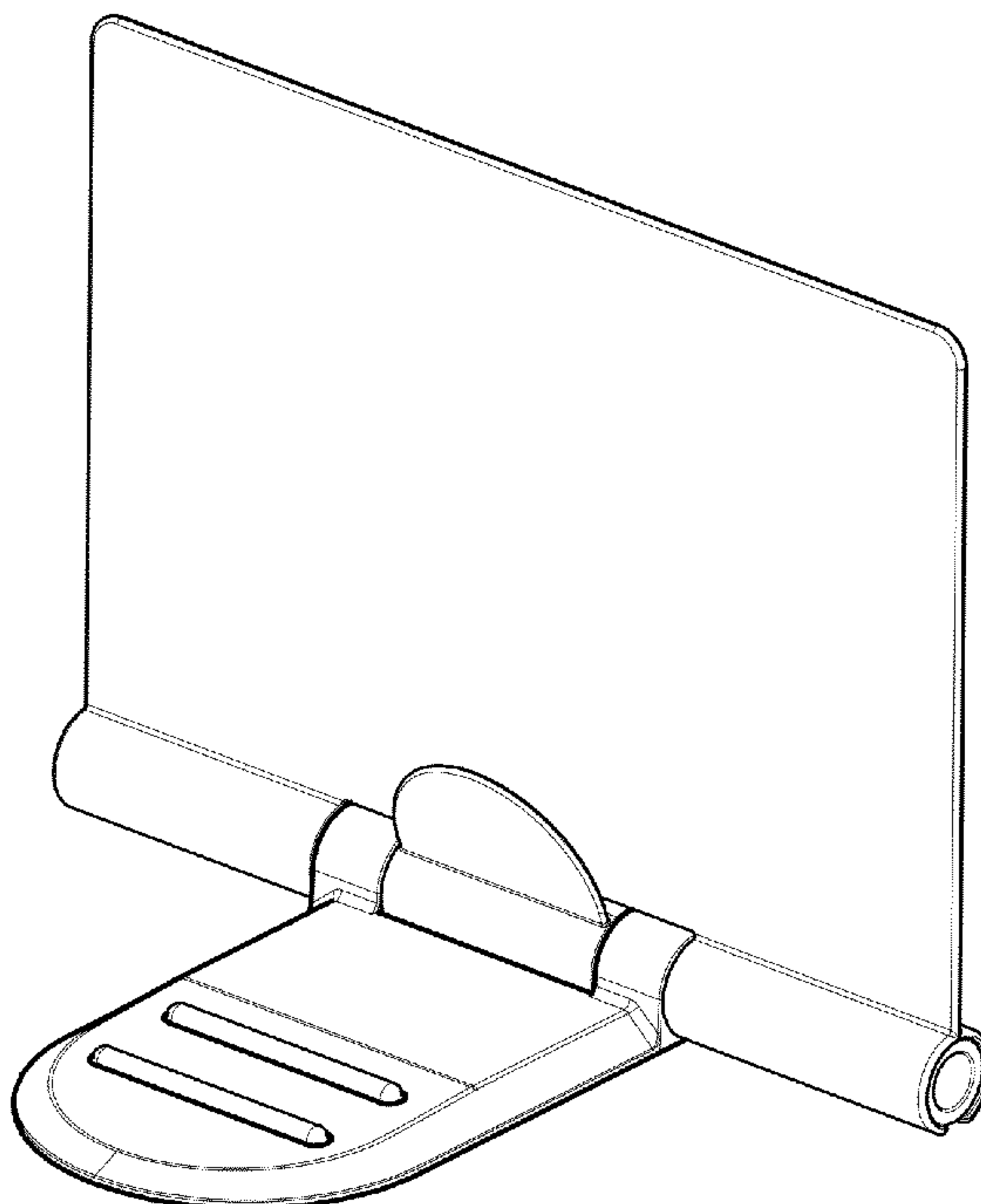
(57) **CLAIM**

We claim the ornamental design for a charging apparatus, as shown and described.

**DESCRIPTION**

FIG. 1 is a front perspective view of a charging apparatus showing our new design;  
FIG. 2 is a rear perspective view thereof;  
FIG. 3 is a front view thereof;  
FIG. 4 is a rear view thereof;  
FIG. 5 is a top view thereof;  
FIG. 6 is a bottom view thereof; and,  
FIG. 7 is a side view thereof.

**1 Claim, 4 Drawing Sheets**



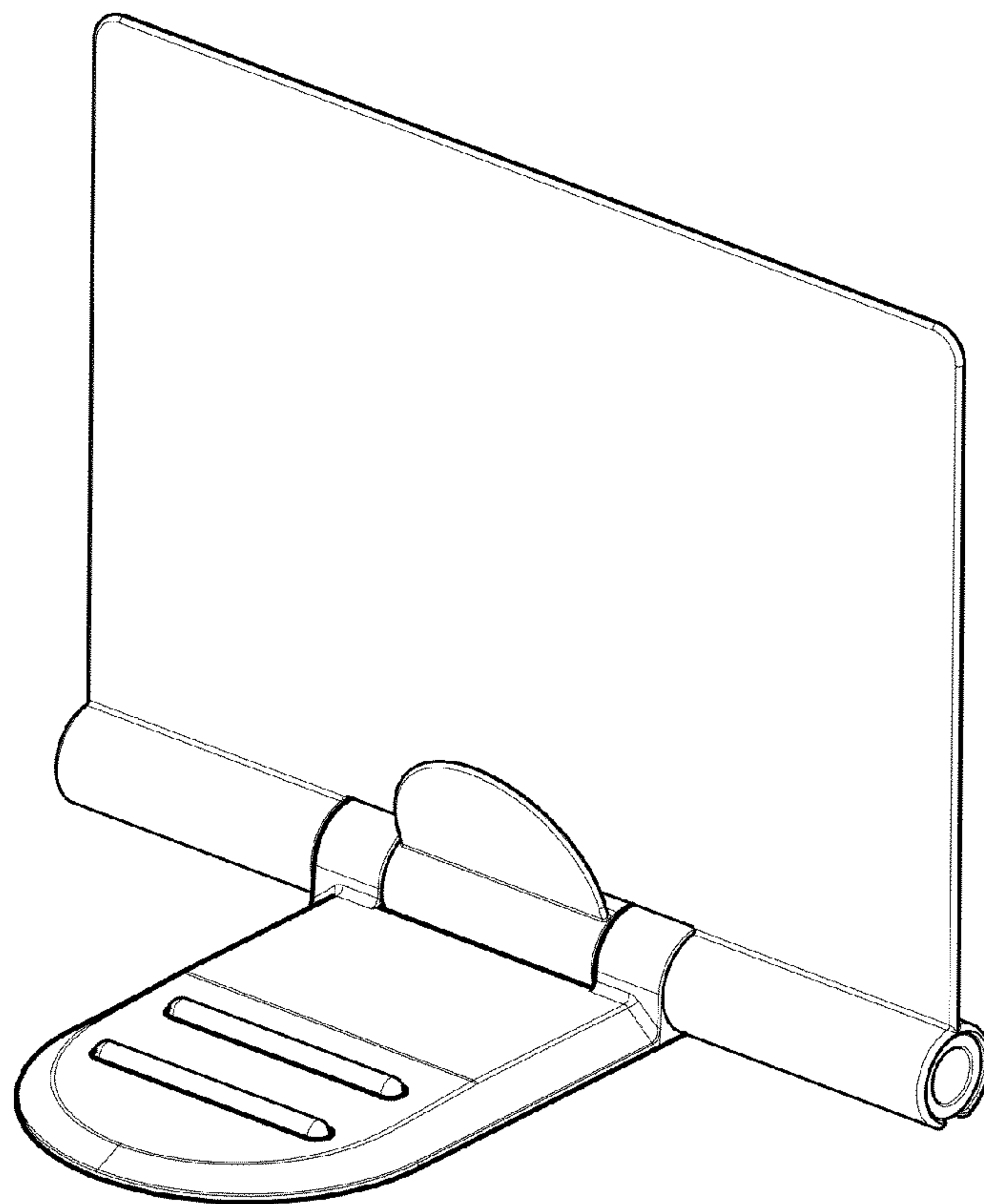


FIG. 1

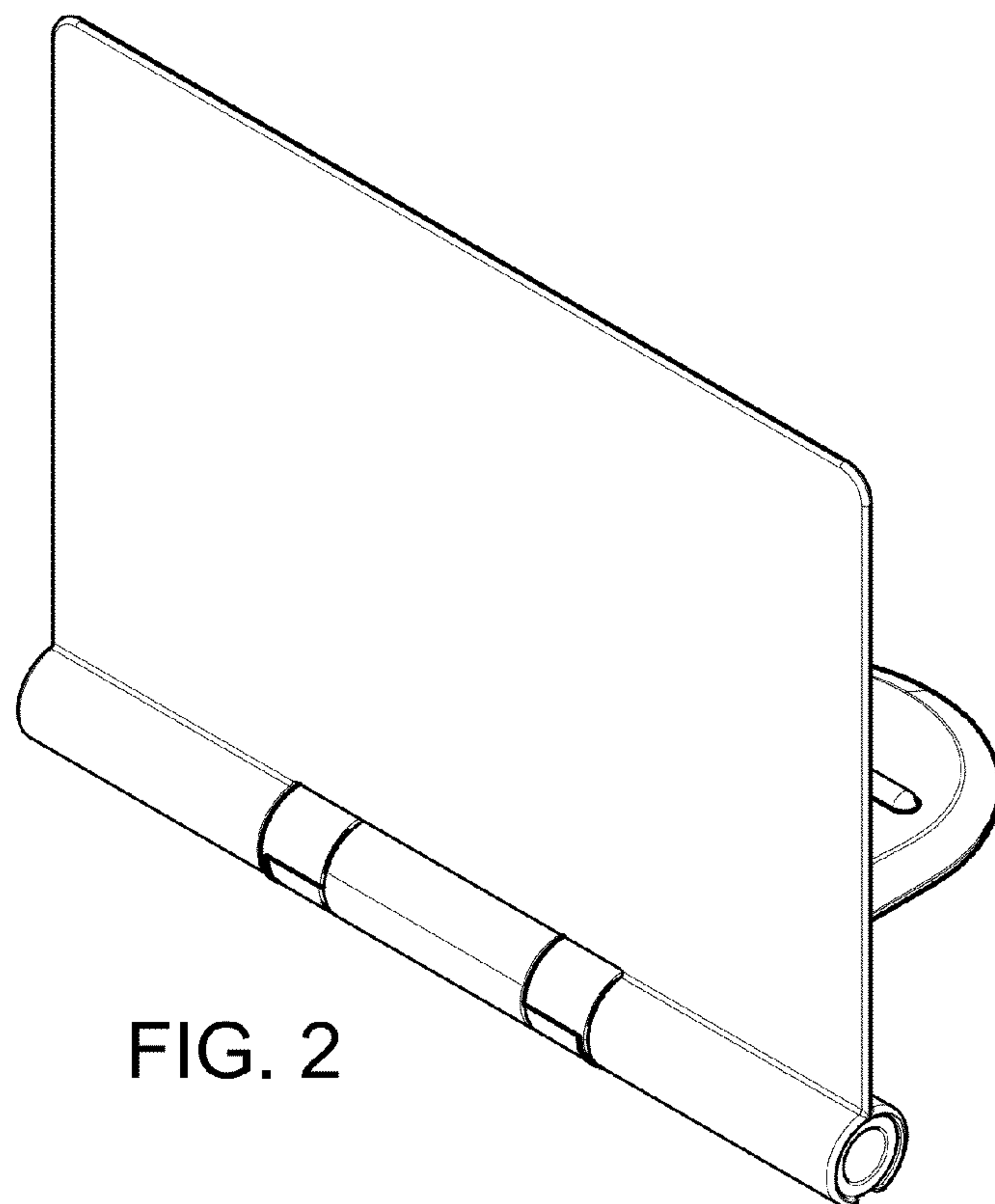


FIG. 2

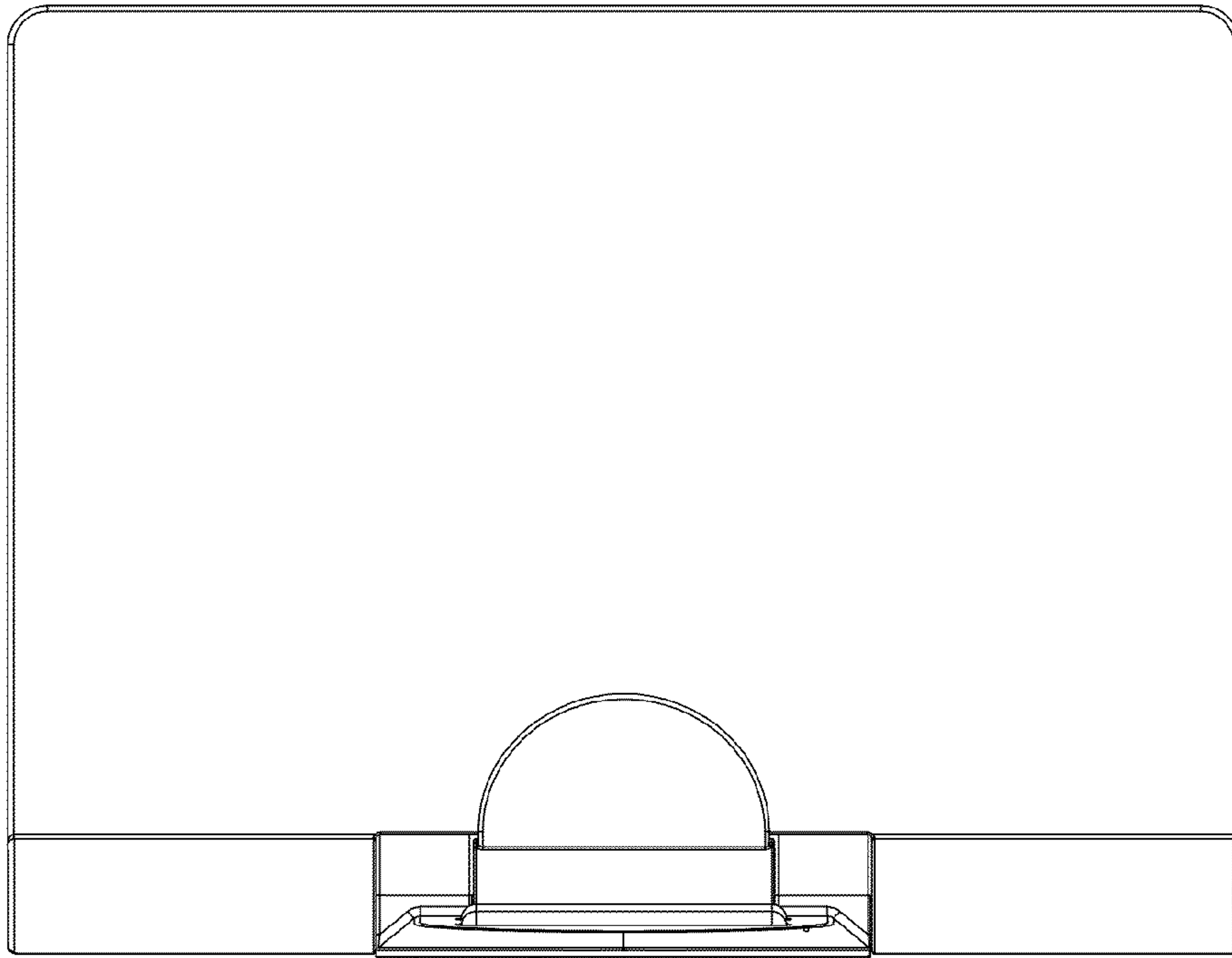


FIG. 3

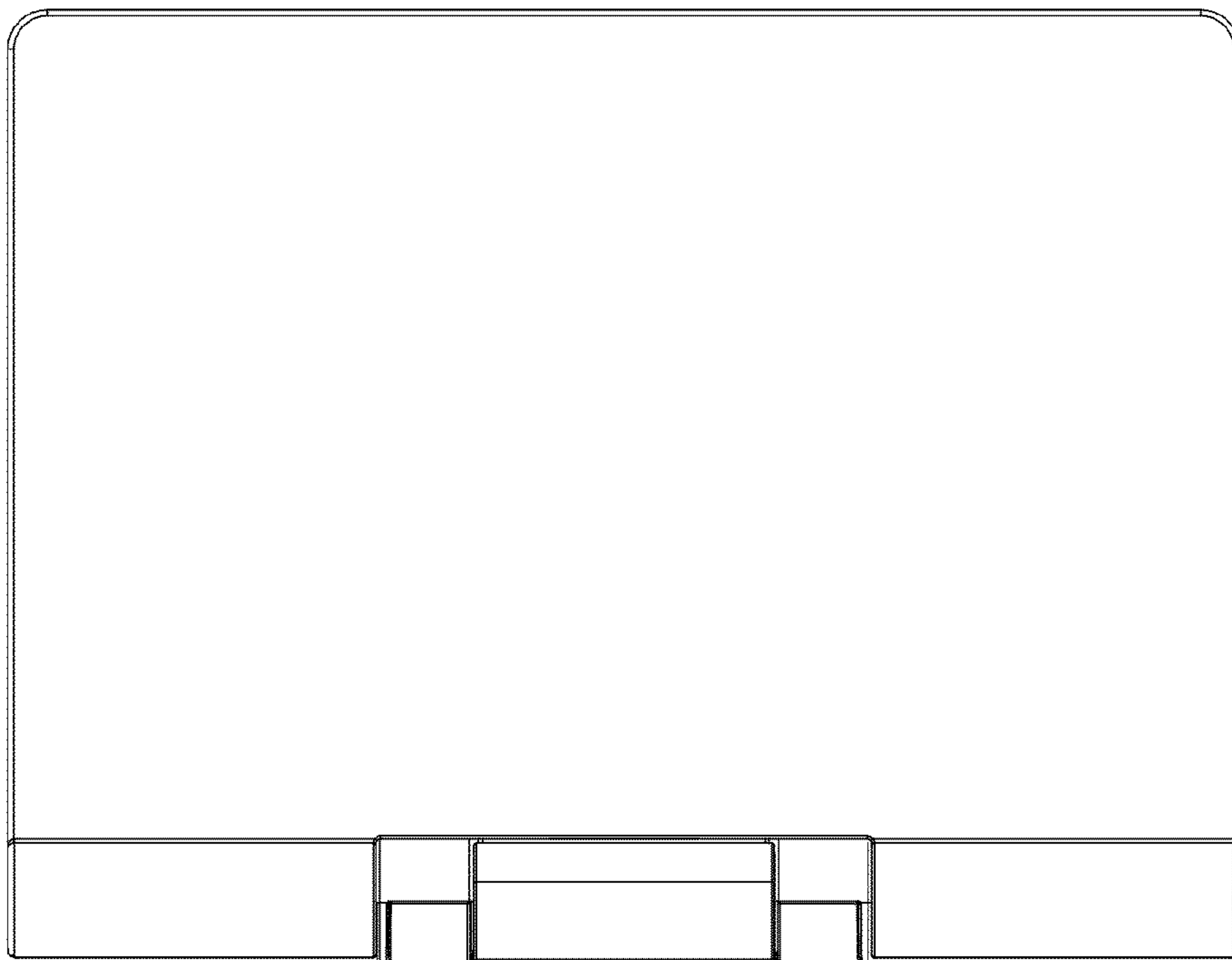


FIG. 4

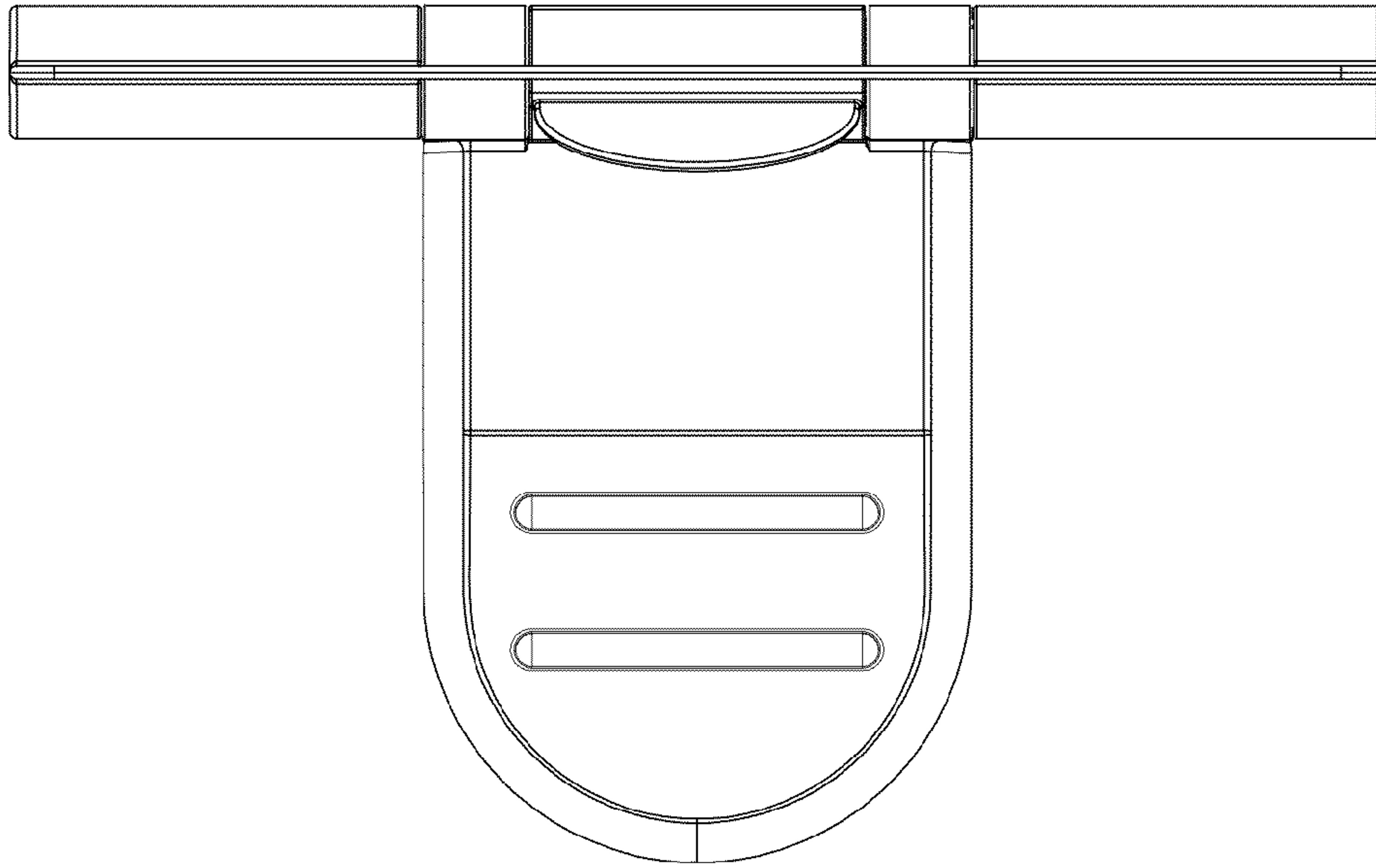


FIG. 5

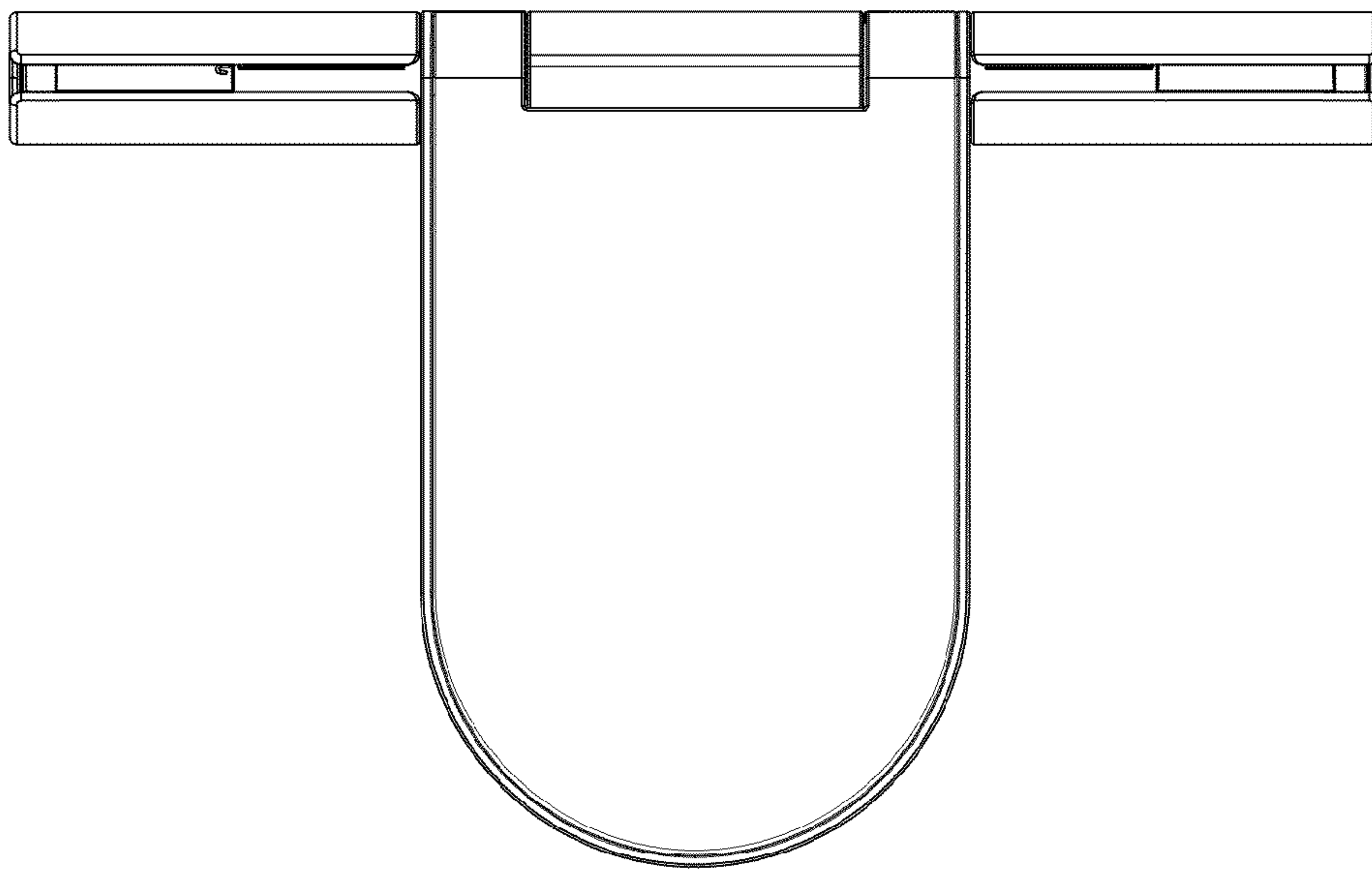


FIG. 6

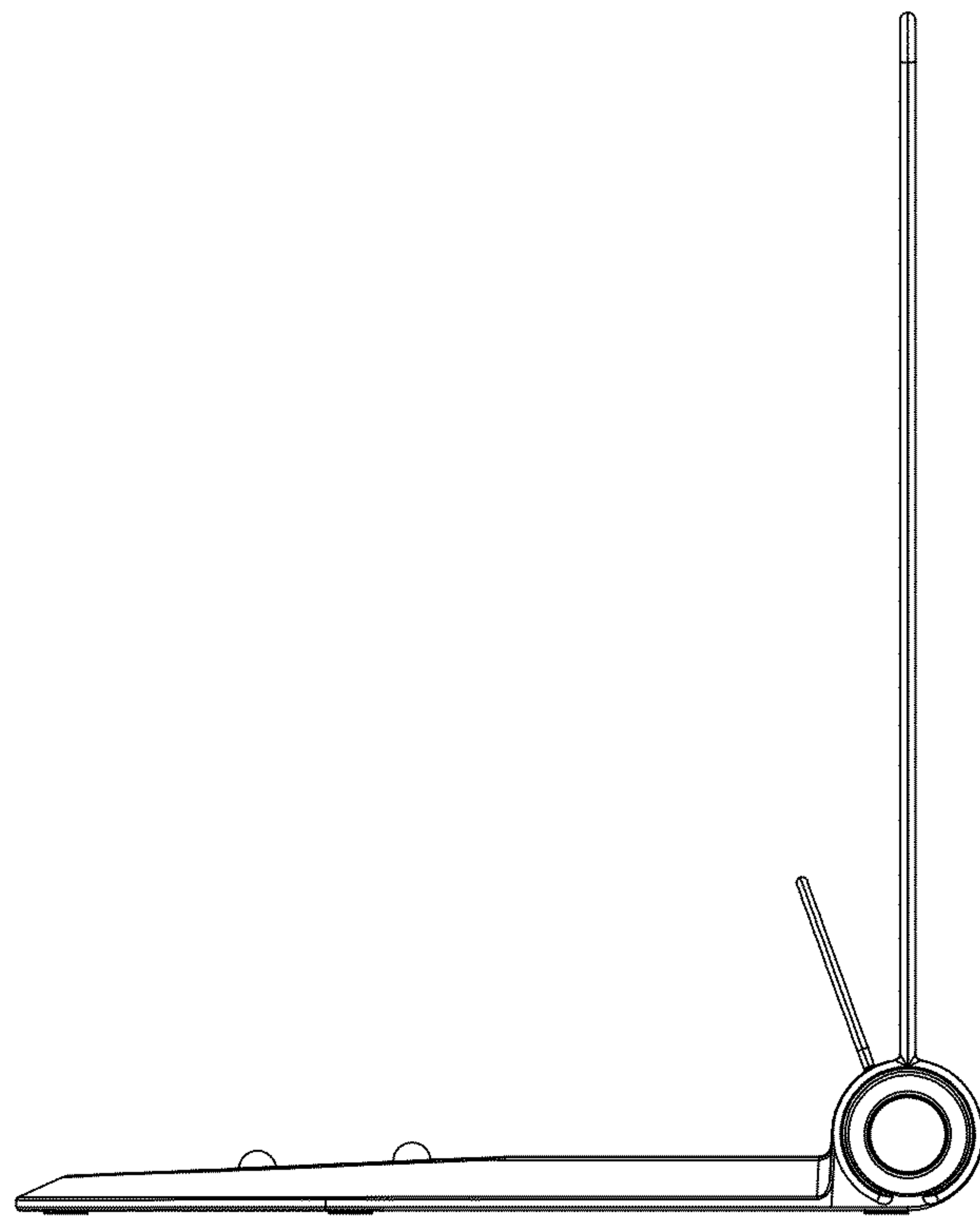


FIG. 7