



US00D703130S

(12) **United States Design Patent**  
**Settelmayer et al.**

(10) **Patent No.:** **US D703,130 S**

(45) **Date of Patent:** **\*\* Apr. 22, 2014**

(54) **FORK-MOUNT BICYCLE CARRIER**

(75) Inventors: **Joseph J. Settelmayer**, McKinleyville, CA (US); **Gregor G. Weaver**, Waterbury, CT (US); **John R. Laverack**, Southbury, CT (US); **Joseph R. Flaherty**, Prospect, CT (US); **Timothy J. Makris**, Seymour, CT (US); **Thomas J. Hanson**, Rye, NY (US); **Ian Quarrier McLeran**, Woodbury, CT (US)

(73) Assignee: **Thule Sweden AB**, Hillerstorp (SE)

(\*\*) Term: **14 Years**

(21) Appl. No.: **29/431,807**

(22) Filed: **Sep. 11, 2012**

(51) **LOC (10) Cl.** ..... **12-11**

(52) **U.S. Cl.**  
USPC ..... **D12/408**

(58) **Field of Classification Search**  
USPC ..... D12/408, 406, 407, 412, 414, 414.1;  
224/400, 500-511, 309-331, 42.11,  
224/42.12, 42.27, 42.29, 924, 424;  
280/202, 304.05; 296/37.1

See application file for complete search history.

(56) **References Cited**

U.S. PATENT DOCUMENTS

D561,680	S	*	2/2008	Foley et al.	.....	D12/408
D562,217	S	*	2/2008	Davis et al.	.....	D12/408
D562,218	S	*	2/2008	Foley et al.	.....	D12/408
D566,034	S	*	4/2008	Davis et al.	.....	D12/408
D635,086	S	*	3/2011	Shen	.....	D12/408
2011/0290836	A1	*	12/2011	Shen	.....	224/319

\* cited by examiner

*Primary Examiner* — Susan E Krakower

*Assistant Examiner* — Linda Brooks

(74) *Attorney, Agent, or Firm* — Novak Druce Connolly Bove + Quigg LLP

(57) **CLAIM**

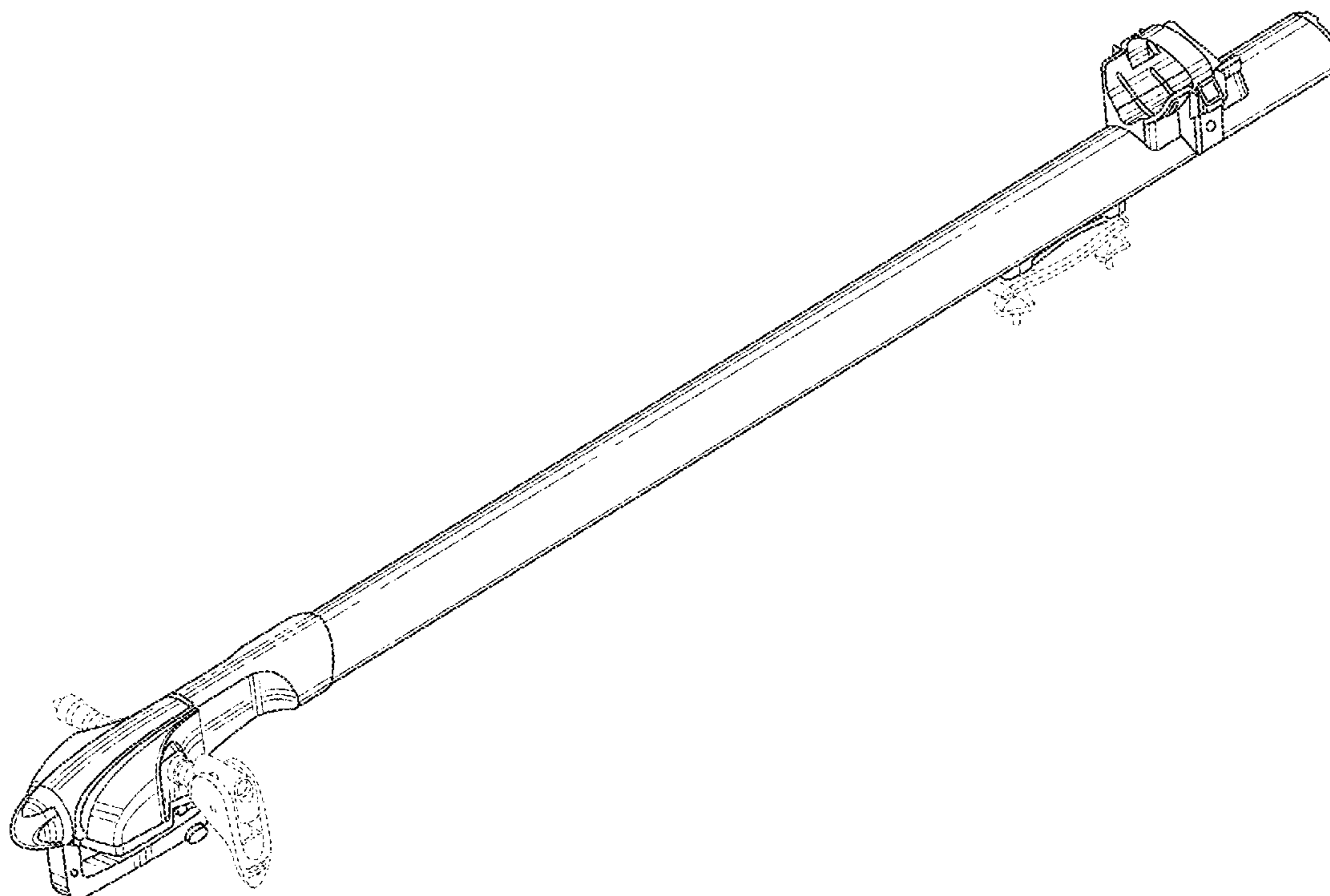
We claim the ornamental design for a fork-mount bicycle carrier, as shown and described.

**DESCRIPTION**

FIG. 1 is a perspective view of a fork-mount bicycle carrier; FIG. 2 an alternate perspective view thereof; FIG. 3 is a rear elevational view thereof; FIG. 4 is a front elevational view thereof; FIG. 5 is a right side elevational view thereof; FIG. 6 is a left side elevational view thereof; FIG. 7 is a top plan view thereof; and, FIG. 8 is a bottom plan view thereof.

The broken lines are directed to environment and are for illustrative purposes only; the broken lines form no part of the claimed design.

**1 Claim, 7 Drawing Sheets**



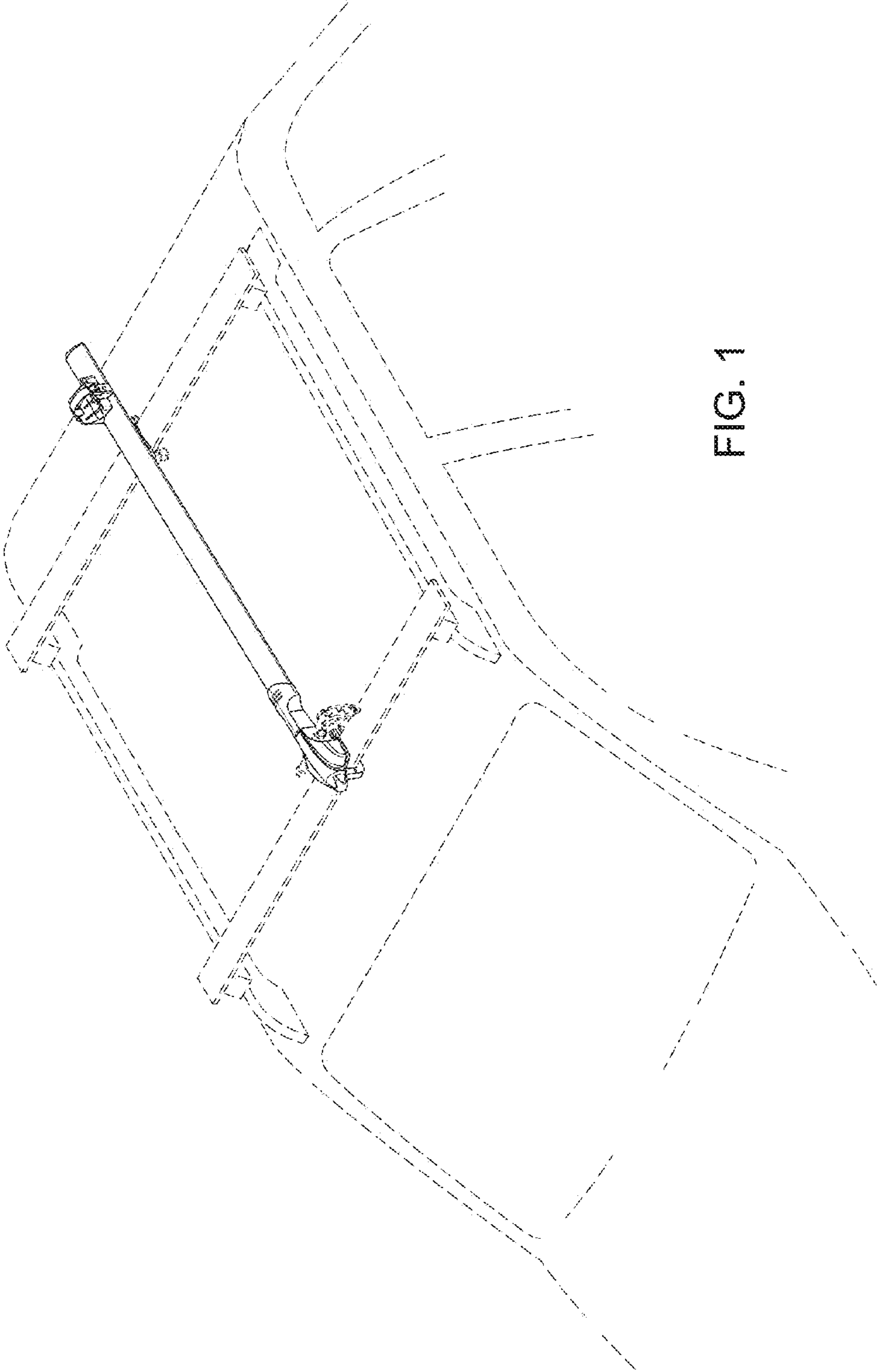


FIG. 1

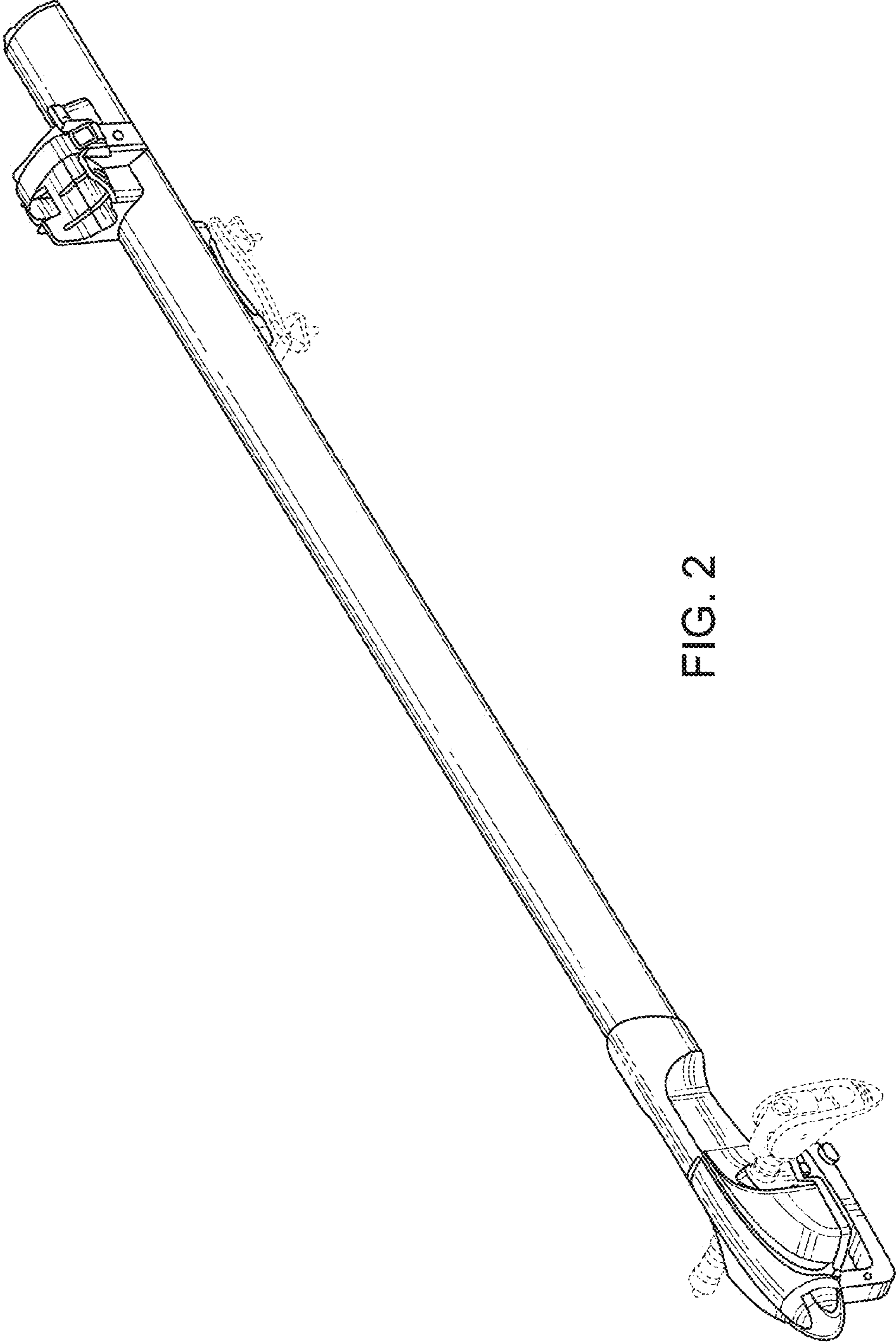


FIG. 2

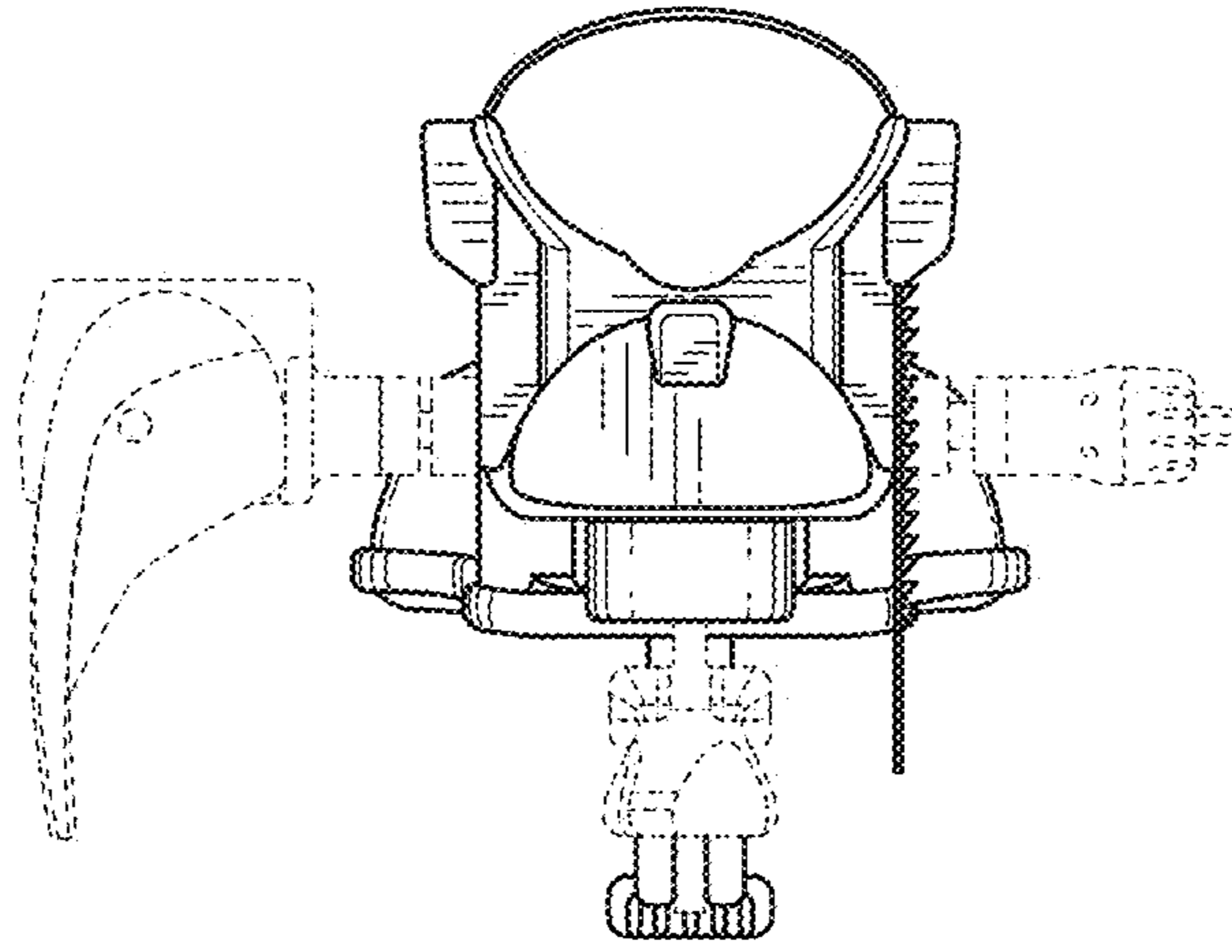


FIG. 3

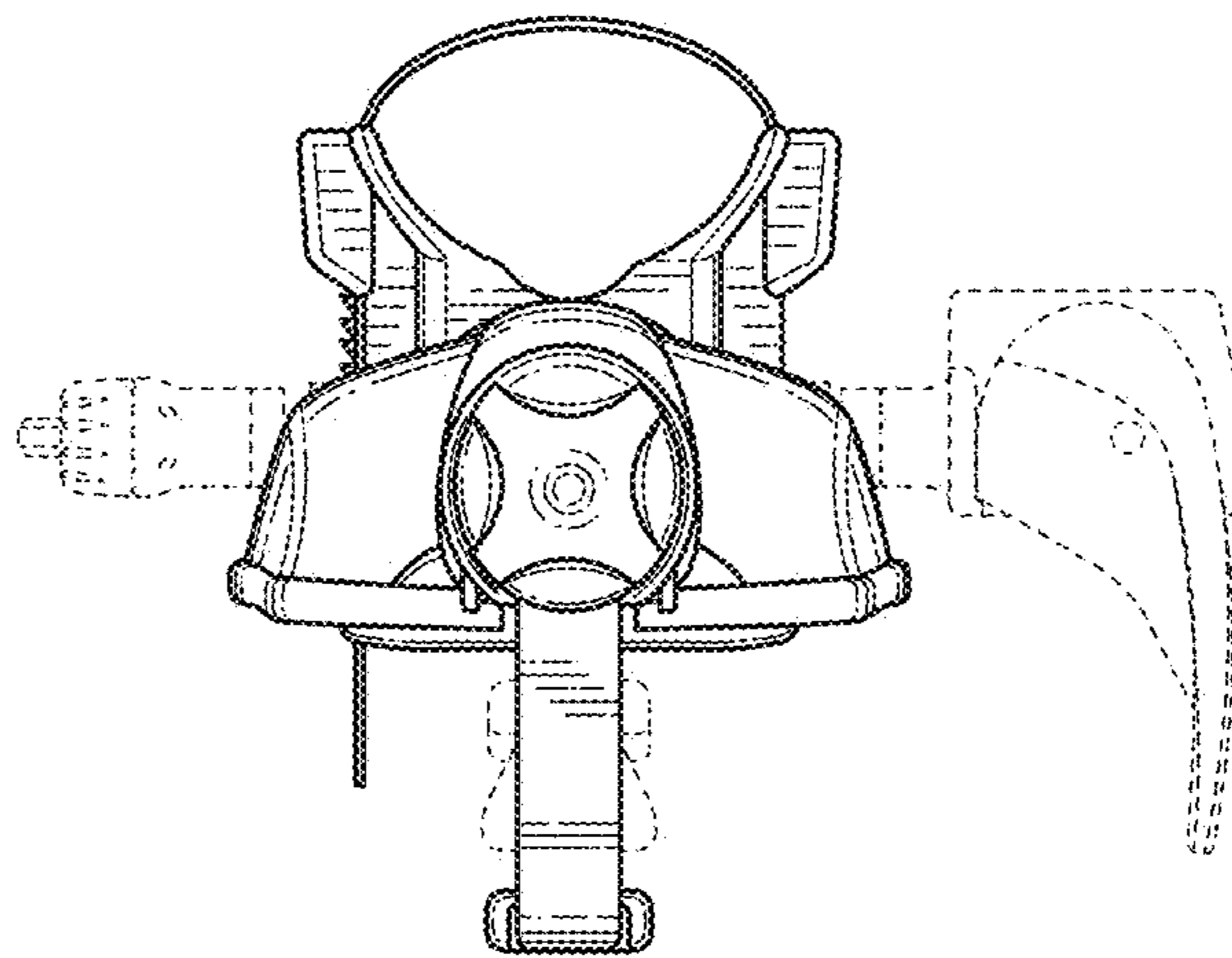


FIG. 4

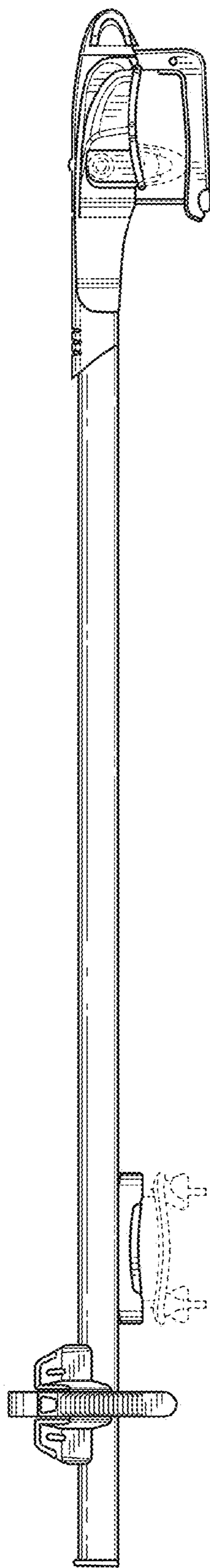


FIG. 5



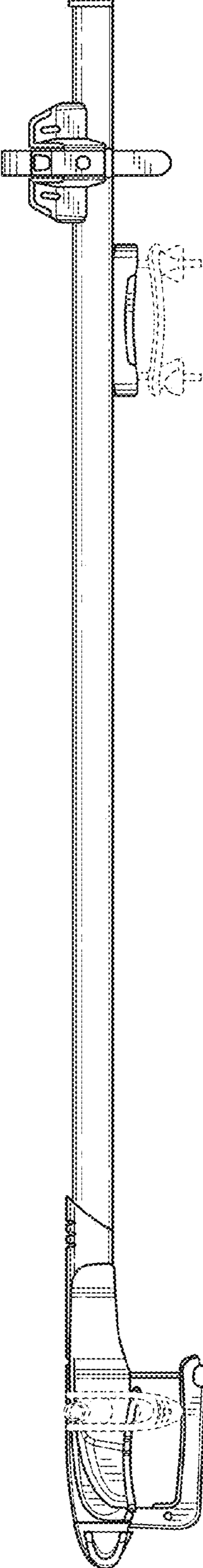


FIG. 6

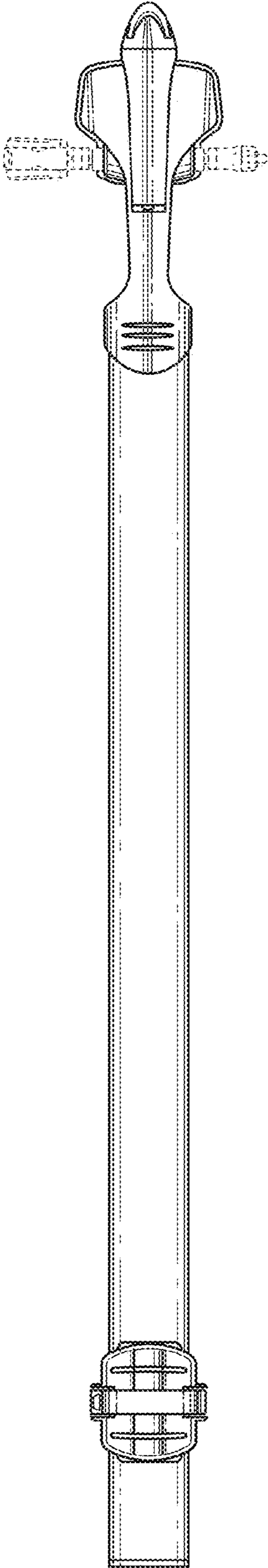


FIG. 7

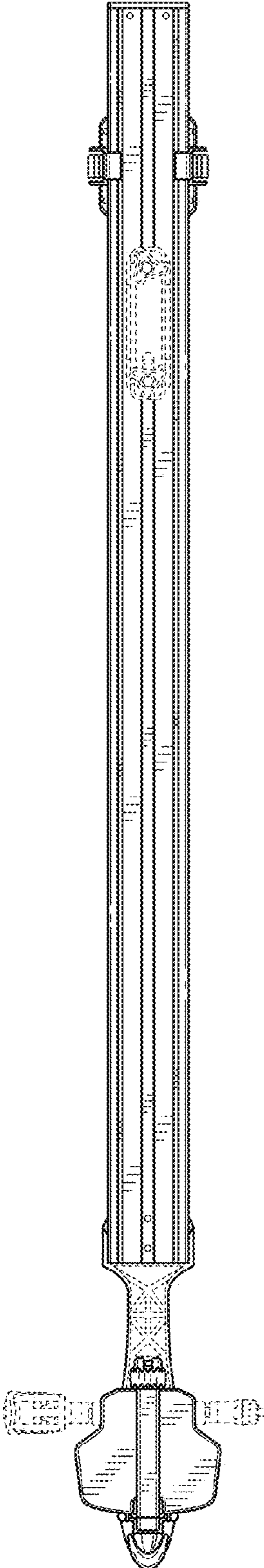


FIG. 8