



US00D703129S

(12) **United States Design Patent**
Gagnon et al.

(10) **Patent No.:** **US D703,129 S**

(45) **Date of Patent:** **** Apr. 22, 2014**

(54) **SIDEBOARD**

(71) Applicant: **Bombardier Inc.**, Dorval (CA)

(72) Inventors: **Pierre Gagnon**, Vauderuil (CA); **Tom Deka**, Ste-Catherine (CA); **Howard Guy**, Dorval (CA); **Patrick Fahmy**, Montreal (CA); **Michele Monardo**, Montreal (CA)

(73) Assignee: **Bombardier Inc.**, Dorval, Quebec (CA)

(**) Term: **14 Years**

(21) Appl. No.: **29/433,530**

(22) Filed: **Oct. 1, 2012**

(51) **LOC (10) Cl.** **12-07**

(52) **U.S. Cl.**
USPC **D12/345**

(58) **Field of Classification Search**
USPC D12/345, 419, 421, 424, 425; D6/694;
244/117 R, 118.5, 118.6, 129.1;
108/40, 166; 296/37.8; 446/7
See application file for complete search history.

(56) **References Cited**

U.S. PATENT DOCUMENTS

D155,362 S *	9/1949	Ray	D12/195
D155,363 S *	9/1949	Ray et al.	D12/195
D155,777 S *	11/1949	Butler	D12/195
D249,263 S *	9/1978	Neece	D14/265
4,396,172 A *	8/1983	Benson	244/129.1
D272,299 S *	1/1984	Benson	D12/425
D273,150 S *	3/1984	Benson	D12/425
D299,287 S *	1/1989	Gertler	D12/419

D308,131 S *	5/1990	Marcantonio	D12/419
5,085,481 A *	2/1992	Fluharty et al.	296/37.8
D429,674 S *	8/2000	Walterscheid et al.	D12/195
D430,090 S *	8/2000	Walterscheid et al.	D12/195
D434,720 S *	12/2000	Haack et al.	D12/419
D576,821 S *	9/2008	Fisette et al.	D6/429
D583,296 S *	12/2008	Tsay et al.	D12/345
7,966,952 B2 *	6/2011	Fisette et al.	108/166
2009/0078169 A1 *	3/2009	Osborne et al.	108/40

* cited by examiner

Primary Examiner — Caron D Veynar

Assistant Examiner — Martie K Holtje

(74) *Attorney, Agent, or Firm* — Thomas & Karceski, PC

(57) **CLAIM**

The ornamental design for a sideboard, as shown and described.

DESCRIPTION

FIG. 1 is a top, left perspective view of a sideboard showing our new design;

FIG. 2 is a front elevational view thereof;

FIG. 3 is a top plan view thereof;

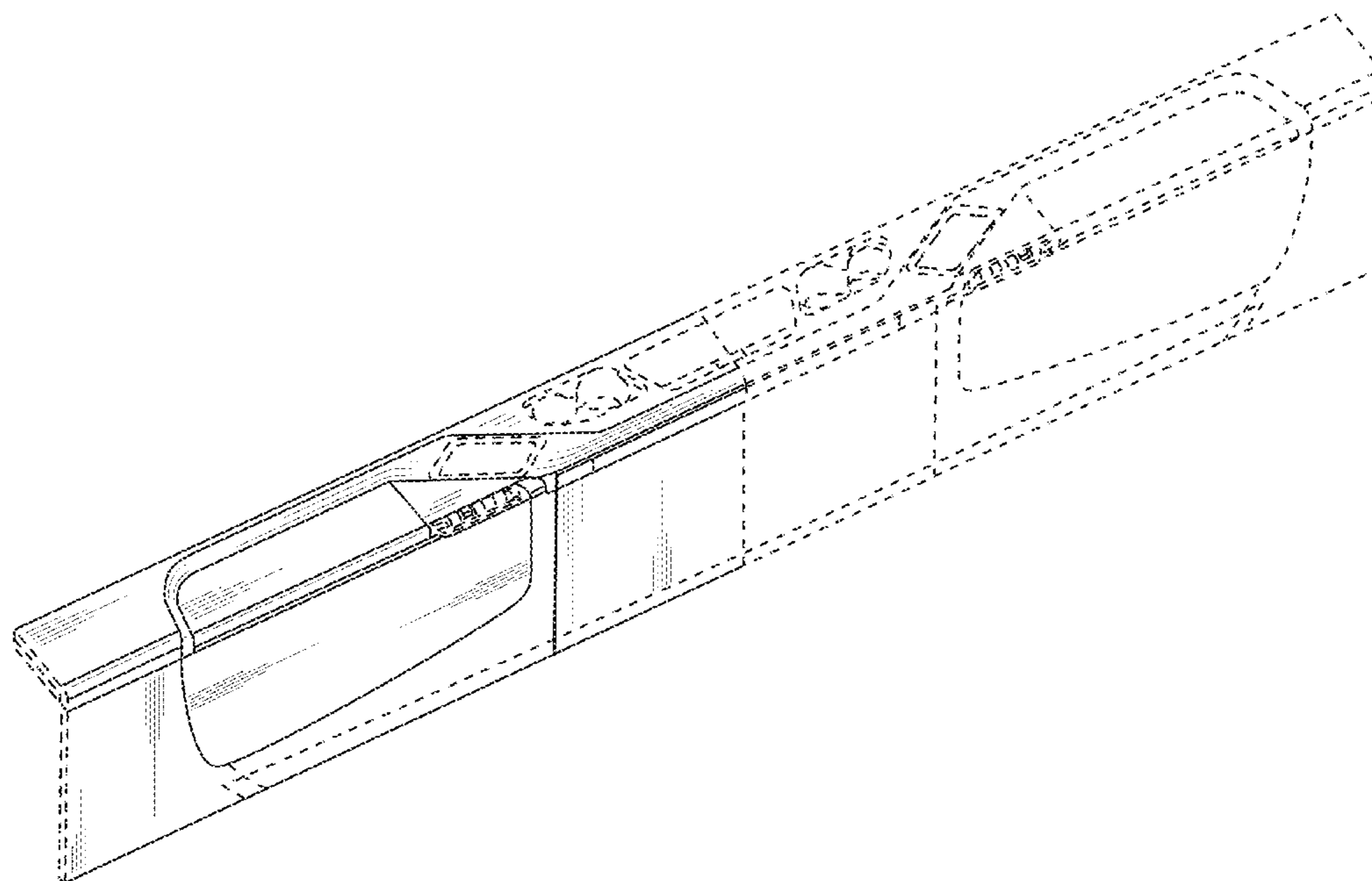
FIG. 4 is an enlarged perspective detail of a portion of the sideboard of FIG. 1; and,

FIG. 5 is a top, right perspective view thereof, drawn to an enlarged scale with respect to FIGS. 1, 2, and 3.

The broken line depictions of structural elements in the design have been shown for the purpose of illustrating environment that forms no part of the claimed design.

The bottom, sides, and rear view, not shown, form no part of the claimed design.

1 Claim, 5 Drawing Sheets



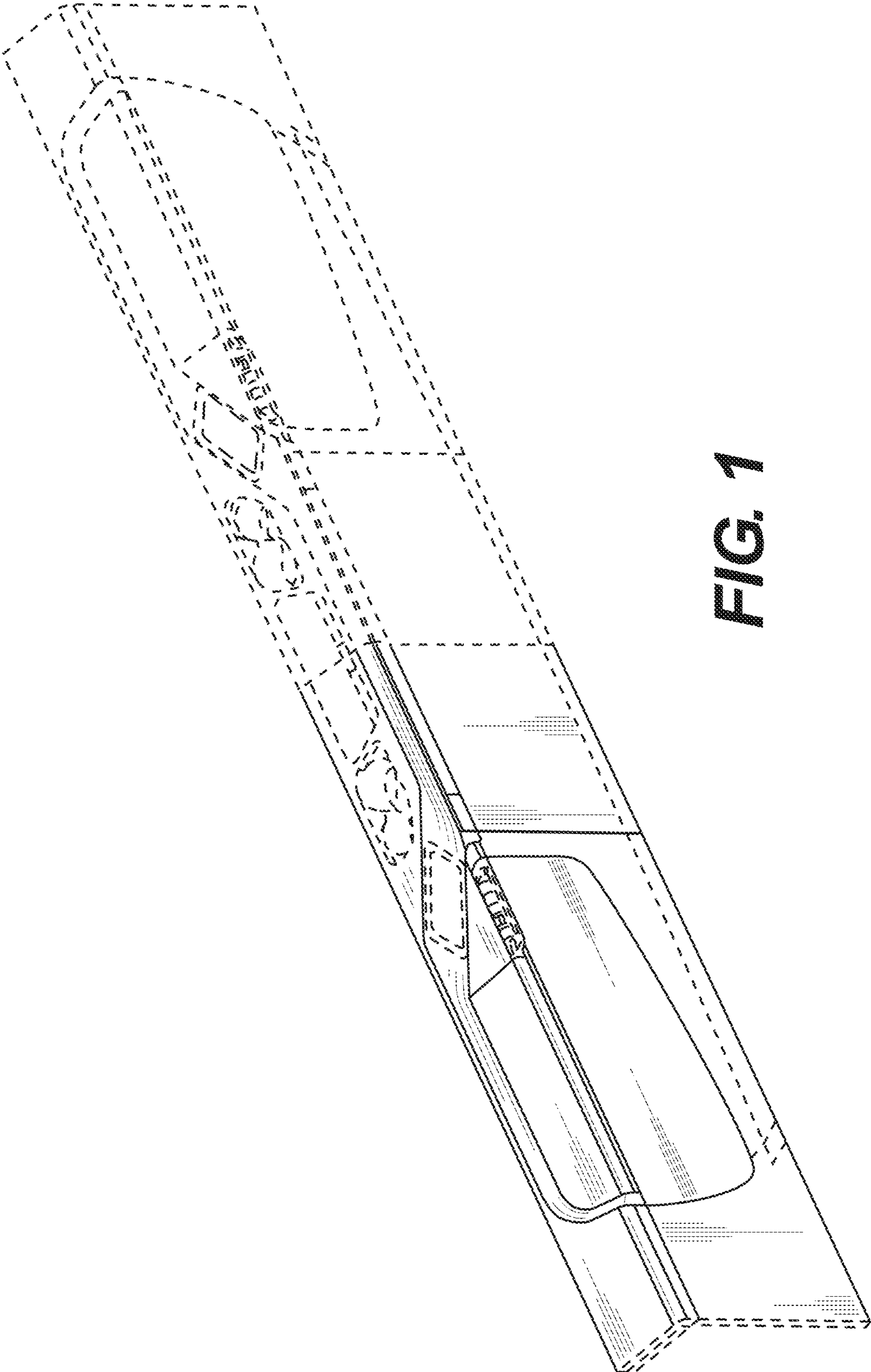


FIG. 1

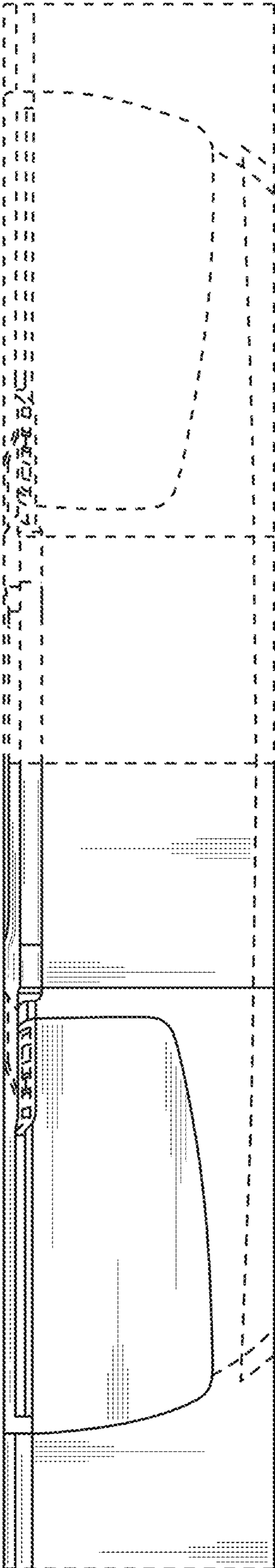


FIG. 2

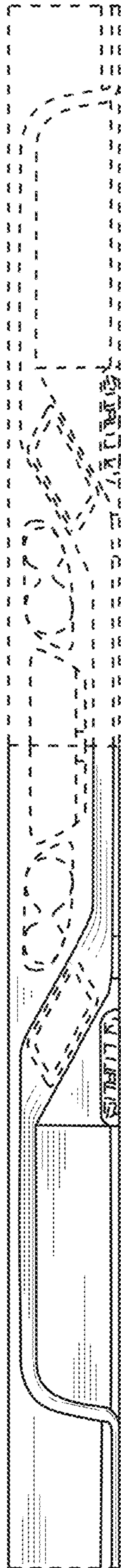


FIG. 3

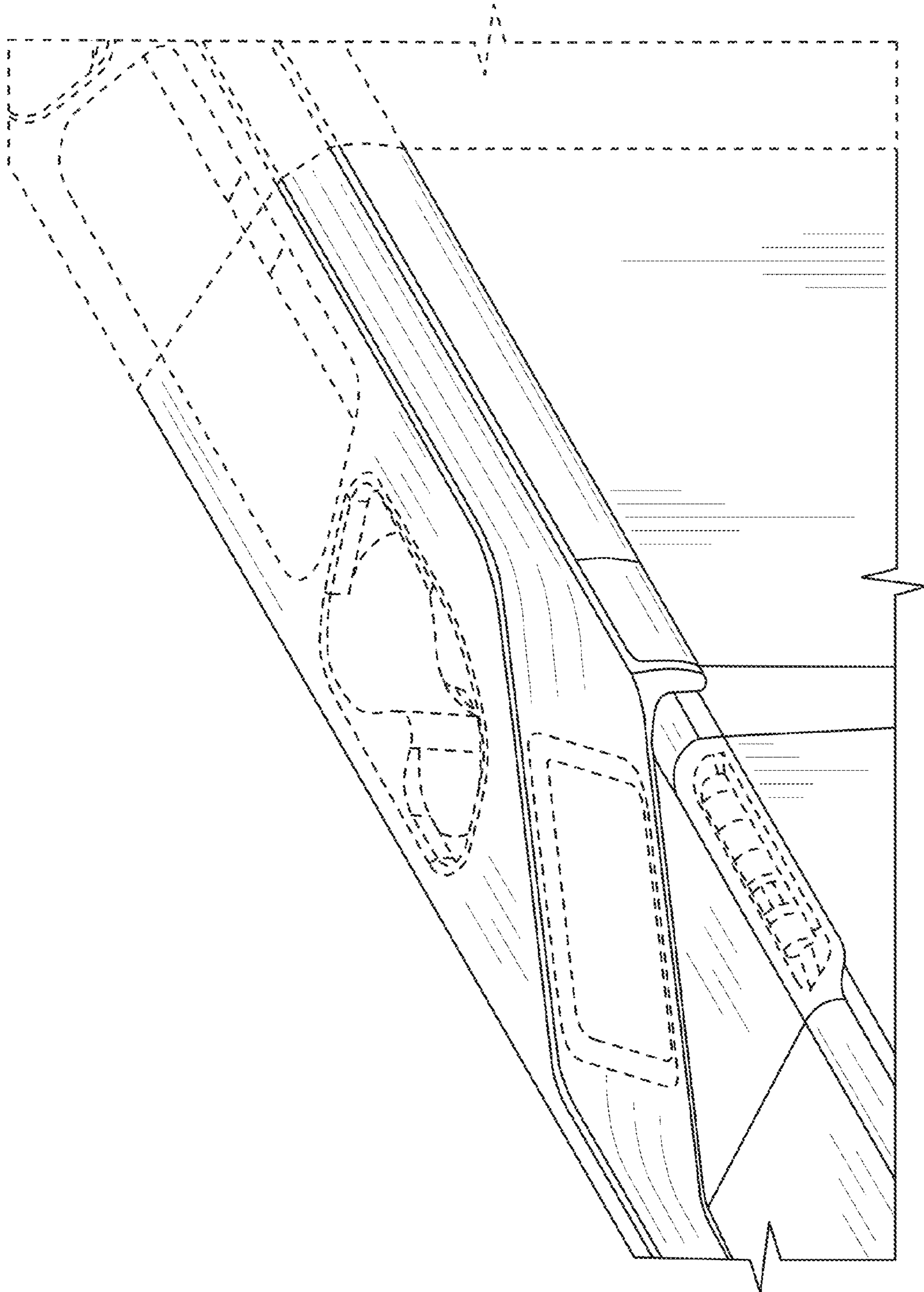


FIG. 4

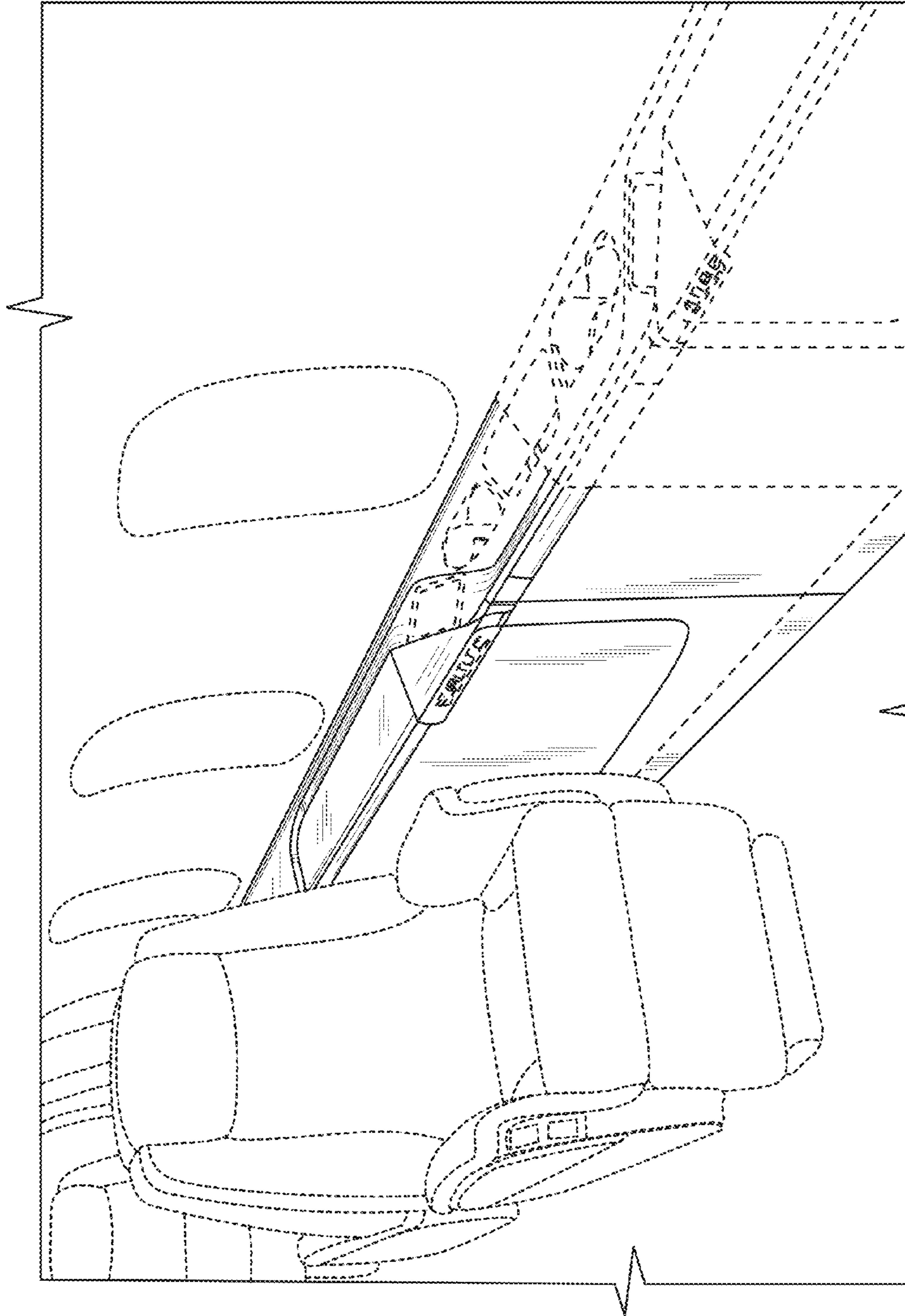


FIG. 5