



US00D703128S

(12) **United States Design Patent**
Nolan et al.

(10) **Patent No.:** **US D703,128 S**
(45) **Date of Patent:** **** Apr. 22, 2014**

(54) **FLYING VEHICLE AND/OR TOY REPLICA THEREOF**

(75) Inventors: **Christopher Nolan**, Los Angeles, CA (US); **Nathan Crowley**, Topanga, CA (US)

(73) Assignee: **DC Comics**, New York, NY (US)

(**) Term: **14 Years**

(21) Appl. No.: **29/426,215**

(22) Filed: **Jul. 2, 2012**

(30) **Foreign Application Priority Data**

May 16, 2012 (GB) 4024786
May 16, 2012 (GB) 4024787
May 16, 2012 (GB) 4024788

(51) **LOC (10) Cl.** **12-07**

(52) **U.S. Cl.**
USPC **D12/326; D12/345; D21/436; D21/447**

(58) **Field of Classification Search**
USPC D12/1, 2, 3, 4, 16.1, 319, 326, 328, 329, D12/344, 345; D21/436, 441, 442, 445, D21/446, 447, 449, 450, 451, 453, 533, 560, D21/578, 580-584, 438, 576, 579, 622, D21/626; 244/158.1, 158.9, 159.1, 6, 7 R, 244/7 C, 8, 12.1-12.4, 17.11, 17.23, 17.25, 244/26, 117 R, 118.5, 119; 446/34, 36, 37, 446/57, 58, 71, 72, 88, 94, 230, 231, 232, 446/234, 289; 280/1.12; 124/67; D11/162

See application file for complete search history.

(56) **References Cited**

U.S. PATENT DOCUMENTS

D258,746 S * 3/1981 Jones et al. D21/560
4,307,533 A * 12/1981 Sims et al. 446/94
D268,656 S * 4/1983 Kodaka D11/162
4,391,060 A * 7/1983 Nakane 446/94
D278,733 S * 5/1985 Ohkado D21/578
D286,664 S * 11/1986 Matsuda D21/580
4,623,317 A * 11/1986 Nagano 446/289
D287,155 S * 12/1986 Matsuda D21/580
D287,261 S * 12/1986 Matsuda D21/584
D290,625 S * 6/1987 Li D21/582
D294,605 S * 3/1988 Matsumoto D21/583

(Continued)

OTHER PUBLICATIONS

<http://www.timetoplaymag.com/toys/4006/mattel/the-dar-knight-rises-the-bat>, The Dark Knight Rises The Bat Mattel Time to Play, 2 color sheets, date unknown, but prior to the filing of this application.

(Continued)

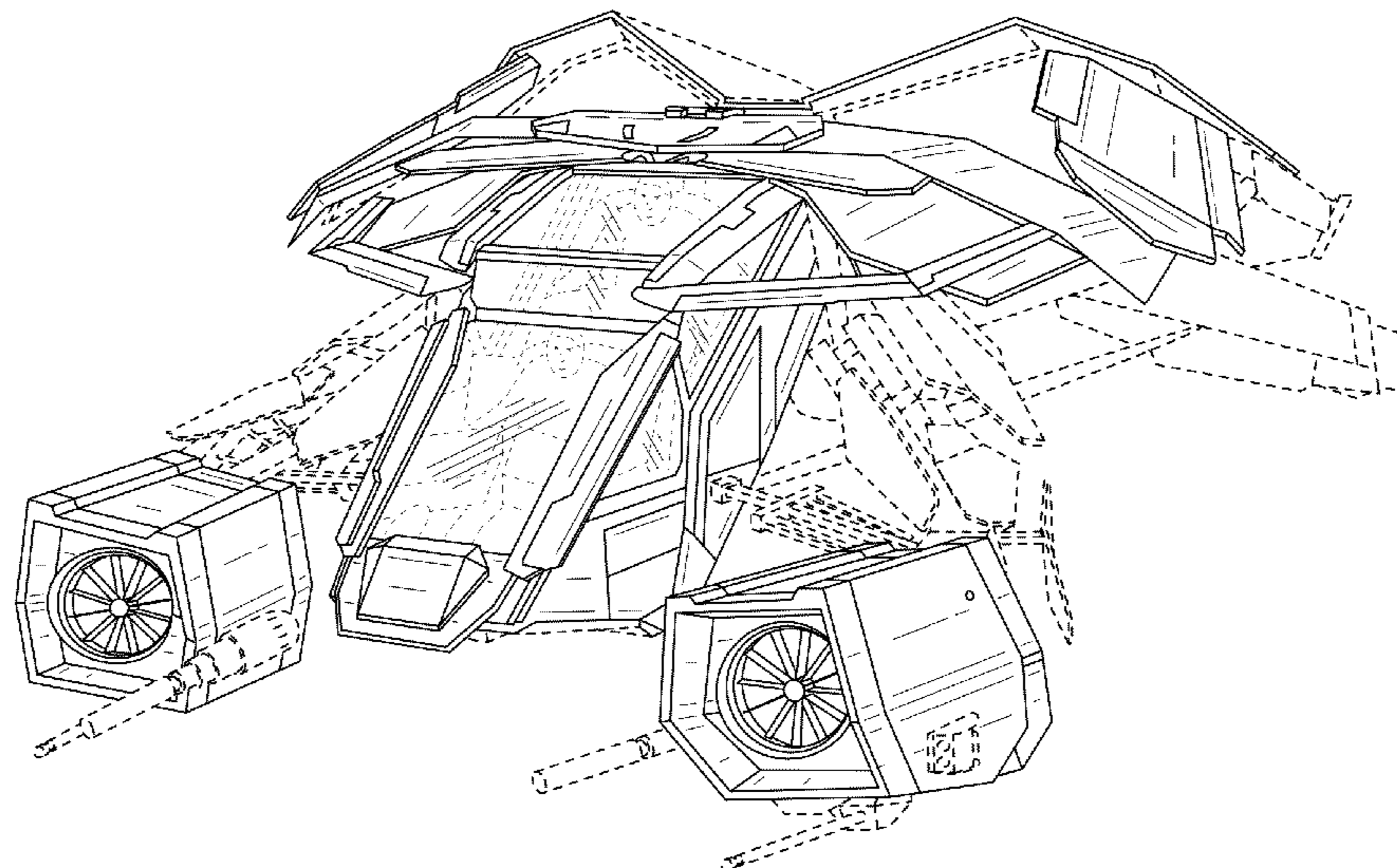
Primary Examiner — Caron D Veynar
Assistant Examiner — Martie K Holtje
(74) *Attorney, Agent, or Firm* — Banner & Witcoff, Ltd.

(57) **CLAIM**
The ornamental design for a flying vehicle and/or toy replica thereof, as shown and described.

DESCRIPTION

FIG. 1 is a front perspective view of a flying vehicle and/or toy replica thereof showing our new design;
FIG. 2 is a front view thereof;
FIG. 3 is a right side view thereof;
FIG. 4 is a left side view thereof; and,
FIG. 5 is a top view thereof.
The broken line showing of various regions on the flying vehicle and/or toy replica thereof are for environmental purposes only and form no part of the claimed design.

1 Claim, 5 Drawing Sheets



(56)

References Cited

U.S. PATENT DOCUMENTS

D301,504 S * 6/1989 Kunihiro D21/583
D305,054 S * 12/1989 Ishizawa D21/584
D307,926 S * 5/1990 Shinohara D21/584
5,701,878 A * 12/1997 Moore et al. 124/67
D483,820 S * 12/2003 Weiser et al. D21/650
D486,421 S * 2/2004 Weiser et al. D11/162
D630,269 S * 1/2011 Matsuda et al. D21/533
8,187,049 B2 * 5/2012 Corsiglia et al. 446/37
2006/0231677 A1 * 10/2006 Zimet et al. 244/17.23

OTHER PUBLICATIONS

<http://www.movieweb.com/movie/the-dark-knight-rises/PGo3tmavh7x1qv/xwRzLyGHP1KILFA>, The Dark Knight Rises Merchandise Photo 19 of 45—MovieWeb.com, 2 color sheets, date unknown, but prior to the filing of this application.
<http://batman-news.com/2012/02/12/closer-look-at-the-bat-from-matteks-the-dark-knight-rises-toy-line> . . . , Closer look at “The Bat” from Mattel’s “The Dark Knight Rises” toy line (video)—Batman-News.com, 1 photo sheet, Feb. 12, 2012.

* cited by examiner

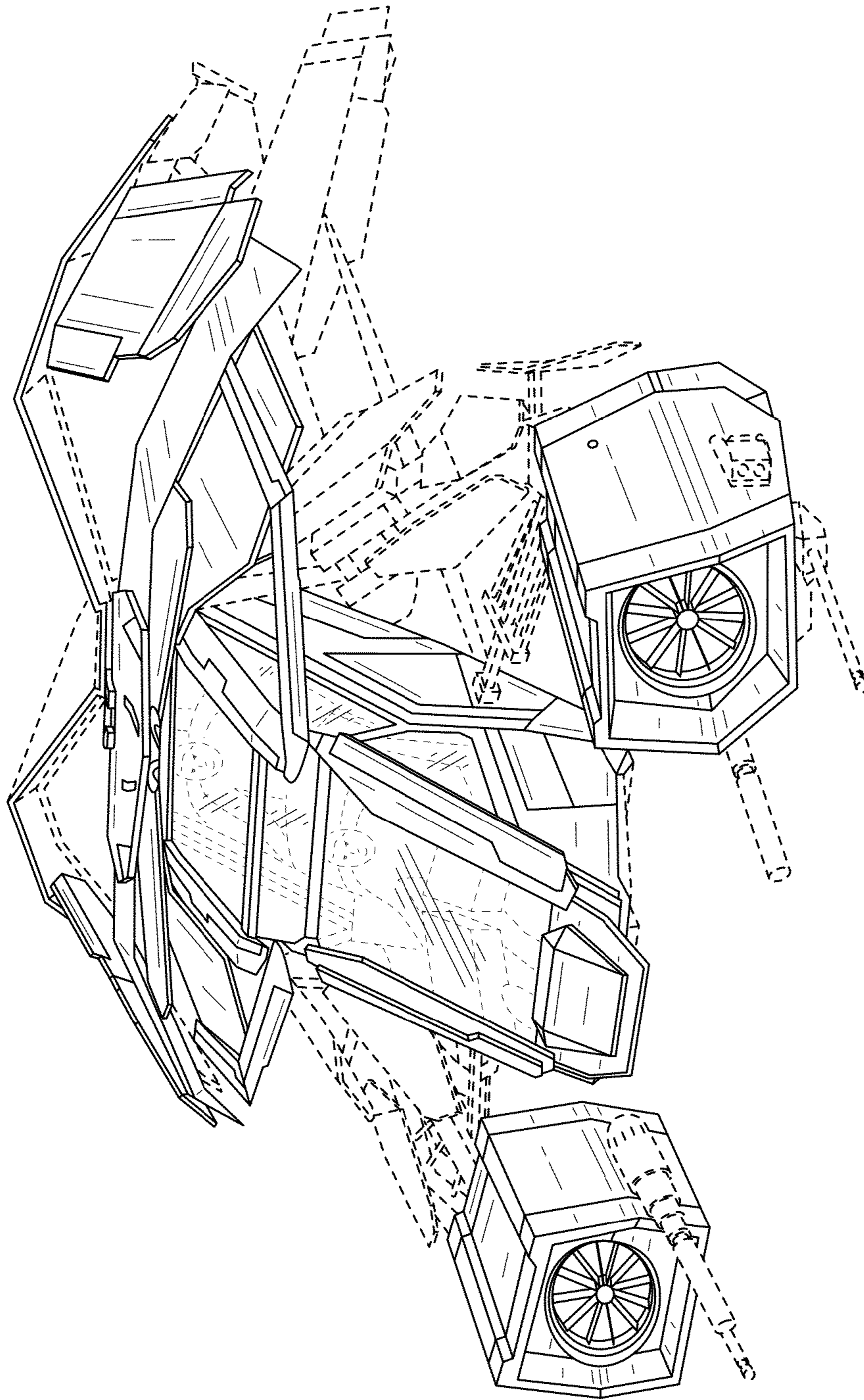


FIG. 1

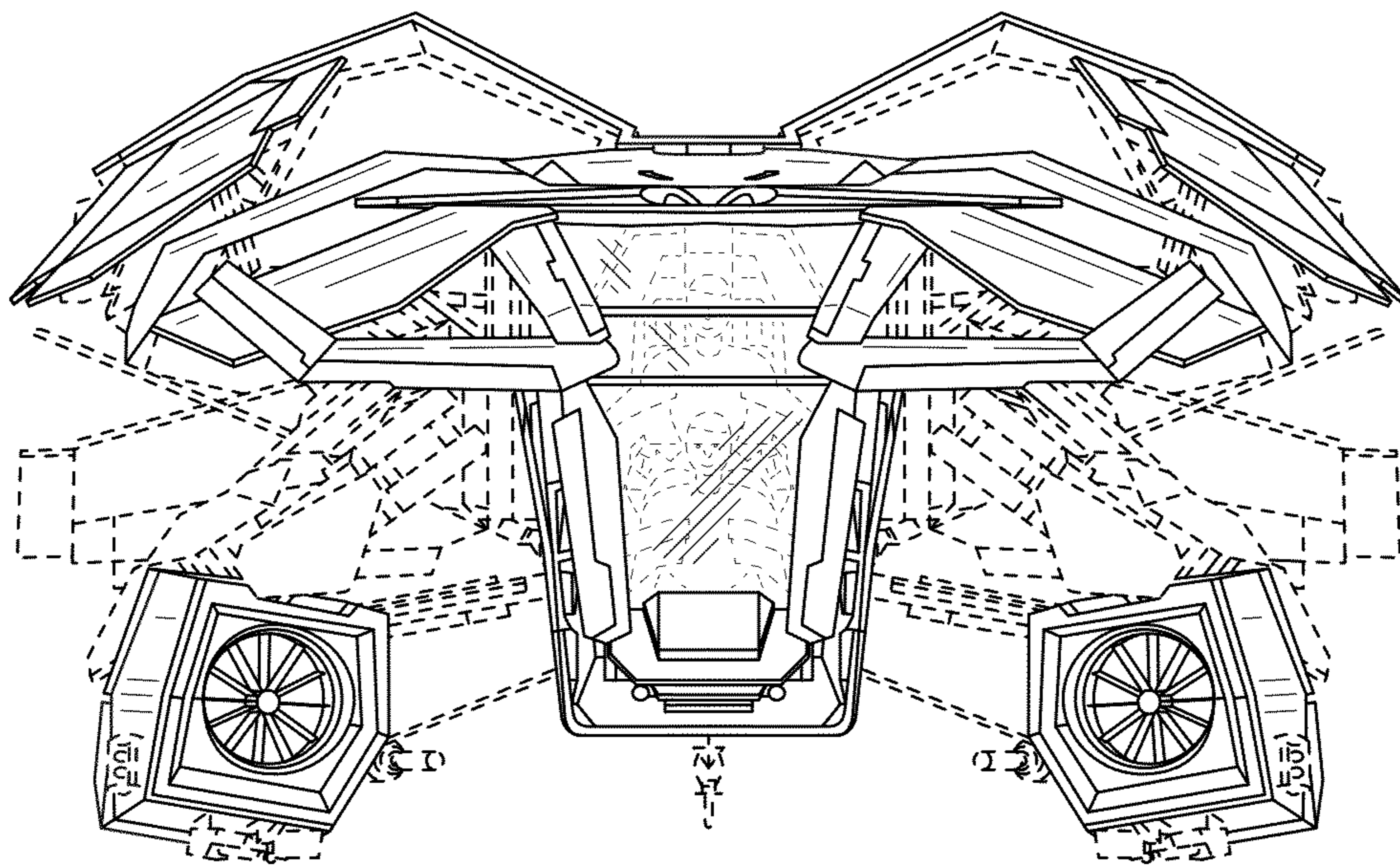


FIG. 2

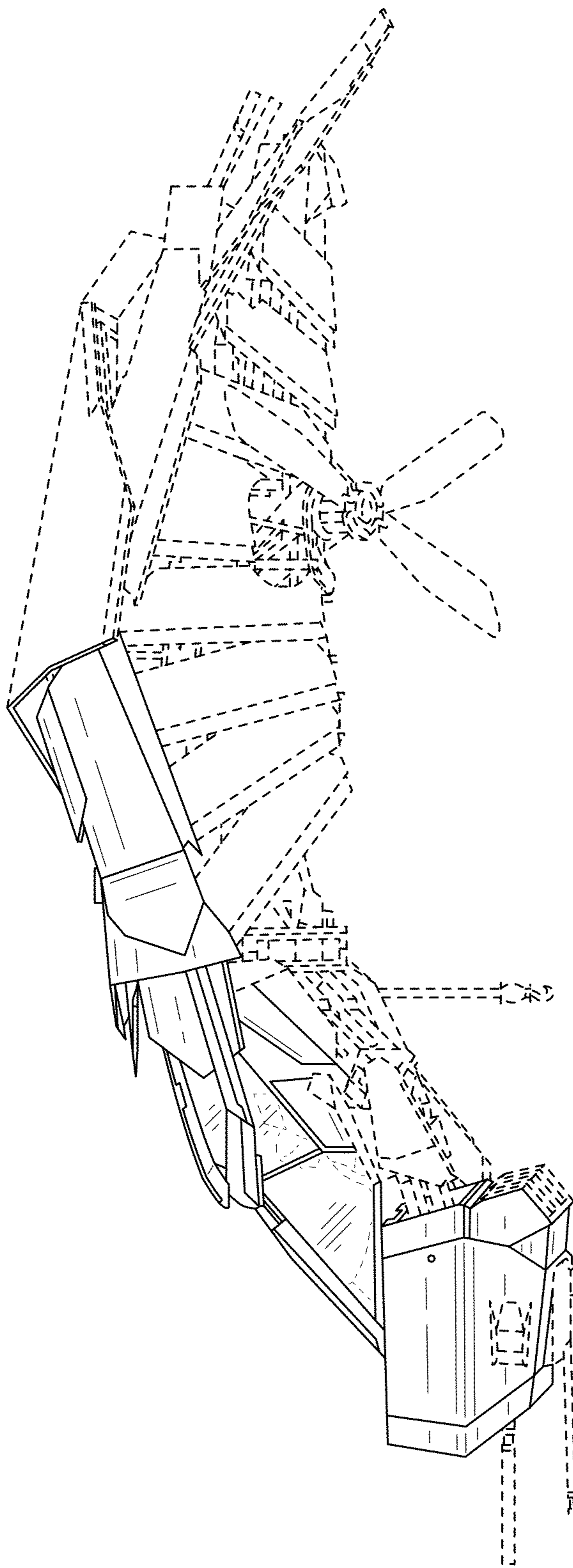


FIG. 3

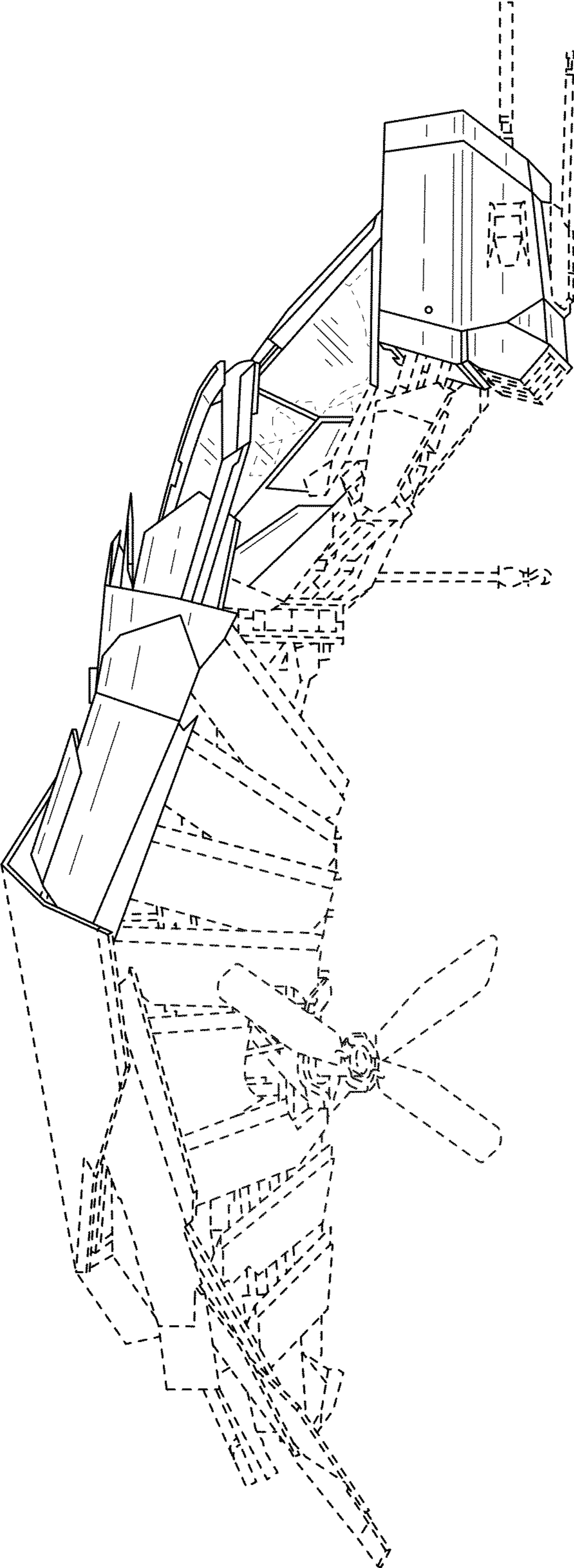


FIG. 4

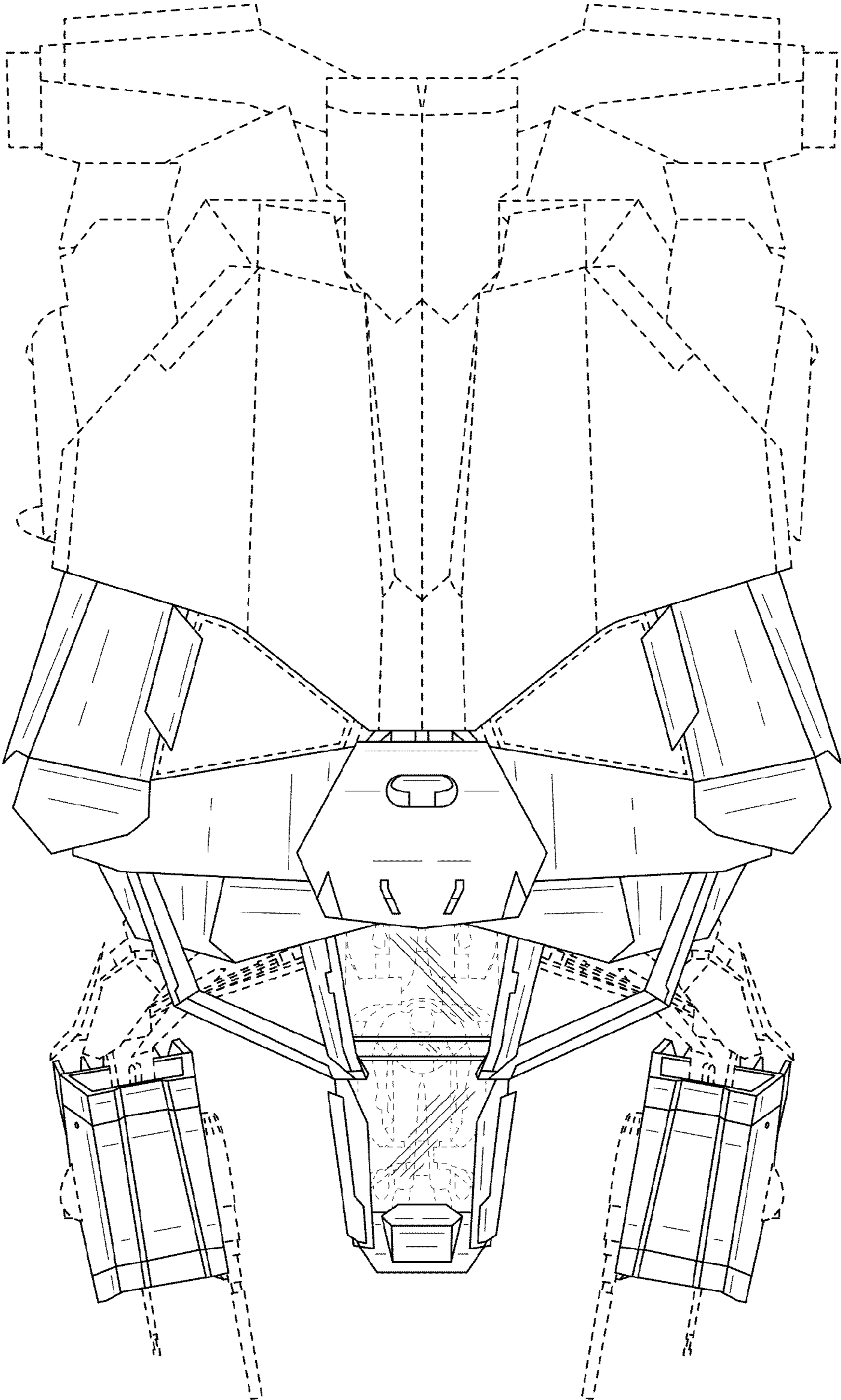


FIG. 5