



US00D703122S

(12) **United States Design Patent**  
**Futschik et al.**

(10) **Patent No.:** **US D703,122 S**

(45) **Date of Patent:** **\*\* Apr. 22, 2014**

(54) **TRUNK LID FOR A VEHICLE**

*Primary Examiner* — Melody Brown

(75) Inventors: **Hans-Dieter Futschik**, Stuttgart (DE);  
**Robert Lesnik**, Stuttgart (DE); **Gorden Wagener**, Stuttgart (DE)

(74) *Attorney, Agent, or Firm* — Crowell & Moring LLP

(73) Assignee: **Daimler AG**, Stuttgart (DE)

(57) **CLAIM**

(\*\*) Term: **14 Years**

The ornamental design for a trunk lid for a vehicle, as shown and described.

(21) Appl. No.: **29/419,090**

(22) Filed: **Apr. 25, 2012**

**DESCRIPTION**

(30) **Foreign Application Priority Data**

Oct. 28, 2011 (DE) ..... 402011005330

This application contains subject matter related to the following co-pending U.S. design patent applications:

(51) **LOC (10) Cl.** ..... **12-16**

Application Ser. No. 29/419,073, filed herewith and entitled “Vehicle, Toy, and/or Replicas Thereof”;

(52) **U.S. Cl.**  
USPC ..... **D12/196**

Application Ser. No. 29/419,076, filed herewith and entitled “Rear Portion of a Vehicle, Toy, and/or Replicas Thereof”;

(58) **Field of Classification Search**  
USPC ..... D12/196, 90–92, 86; 296/181.1, 181.5  
See application file for complete search history.

and

Application Ser. No. 29/419,078, filed herewith and entitled “Rear Portion of a Vehicle, Toy, and/or Replicas Thereof”.

(56) **References Cited**

**U.S. PATENT DOCUMENTS**

D514,027 S	1/2006	Pfeiffer et al.	
D514,042 S	1/2006	Pfeiffer et al.	
D663,666 S *	7/2012	Matsumoto et al.	D12/196
D676,793 S *	2/2013	Yamada et al.	D12/196
D682,757 S *	5/2013	Song et al.	D12/196

FIG. 1 is a left perspective view of a trunk lid for a vehicle according to our design, the right perspective view being mirror symmetrical;

FIG. 2 is a front view thereof;

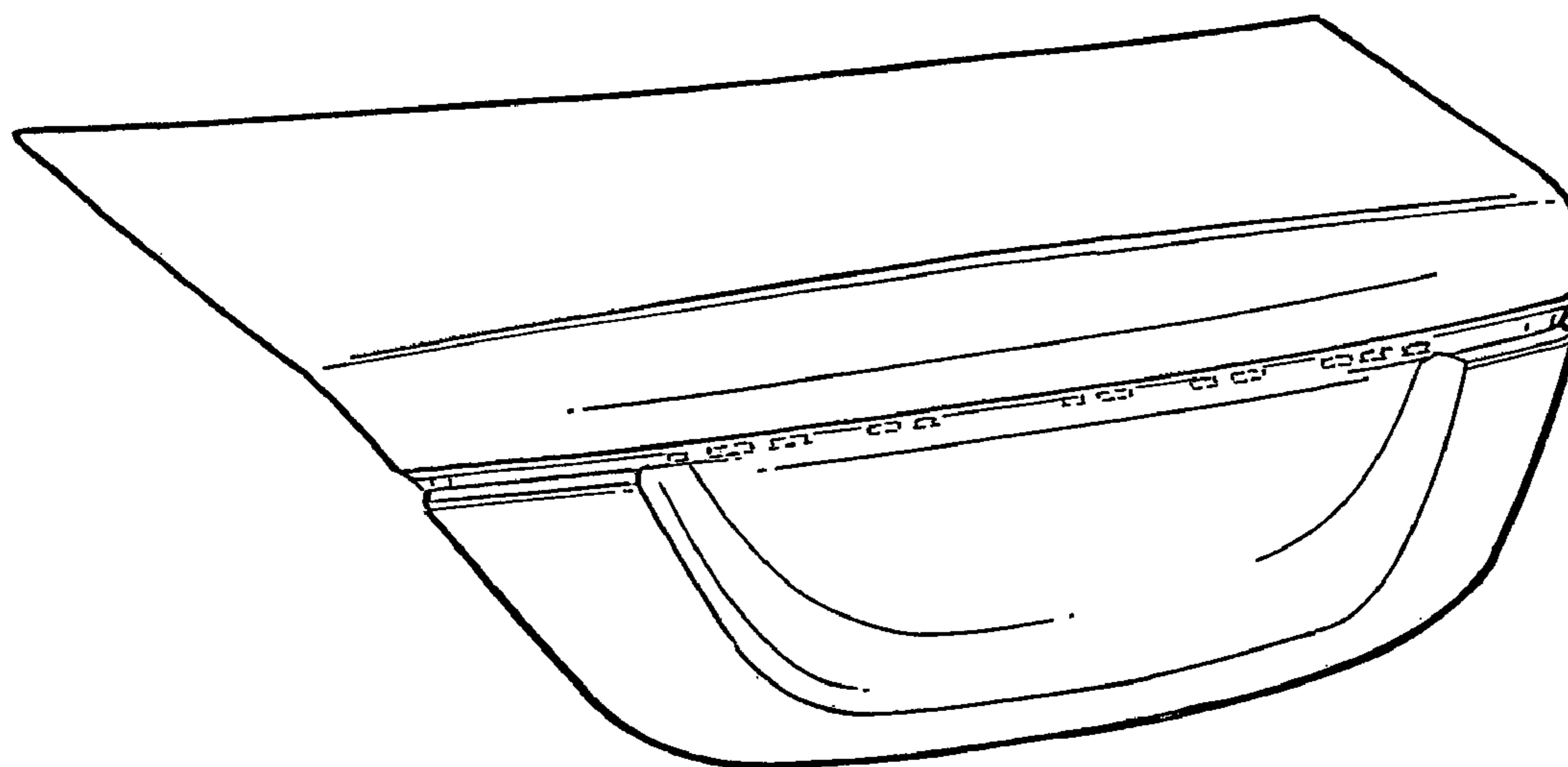
FIG. 3 is a top view thereof; and,

FIG. 4 is a left side view thereof, the right side view being mirror symmetrical.

The broken lines are for illustrative purposes only and form no part of the claimed design.

\* cited by examiner

**1 Claim, 2 Drawing Sheets**



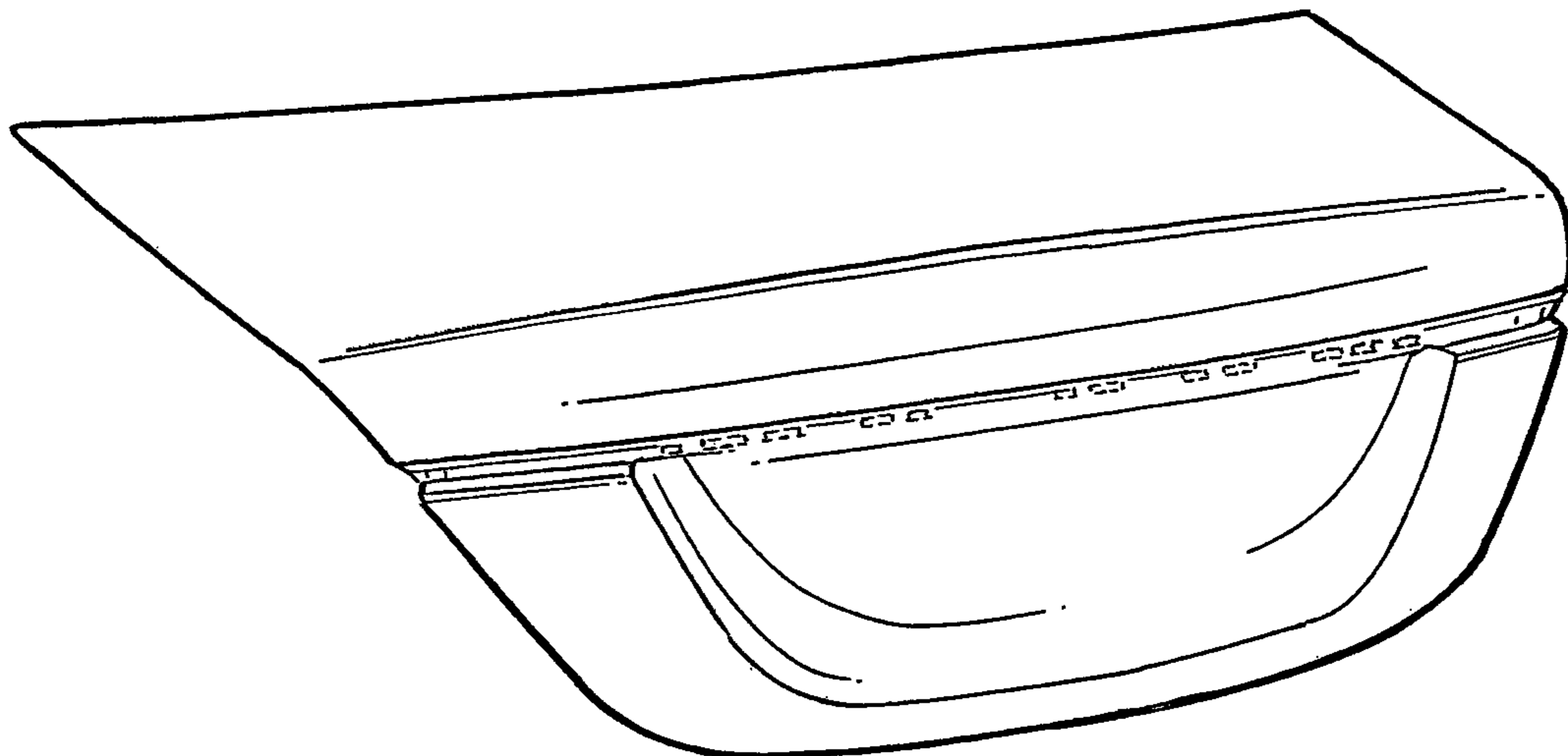


FIG. 1

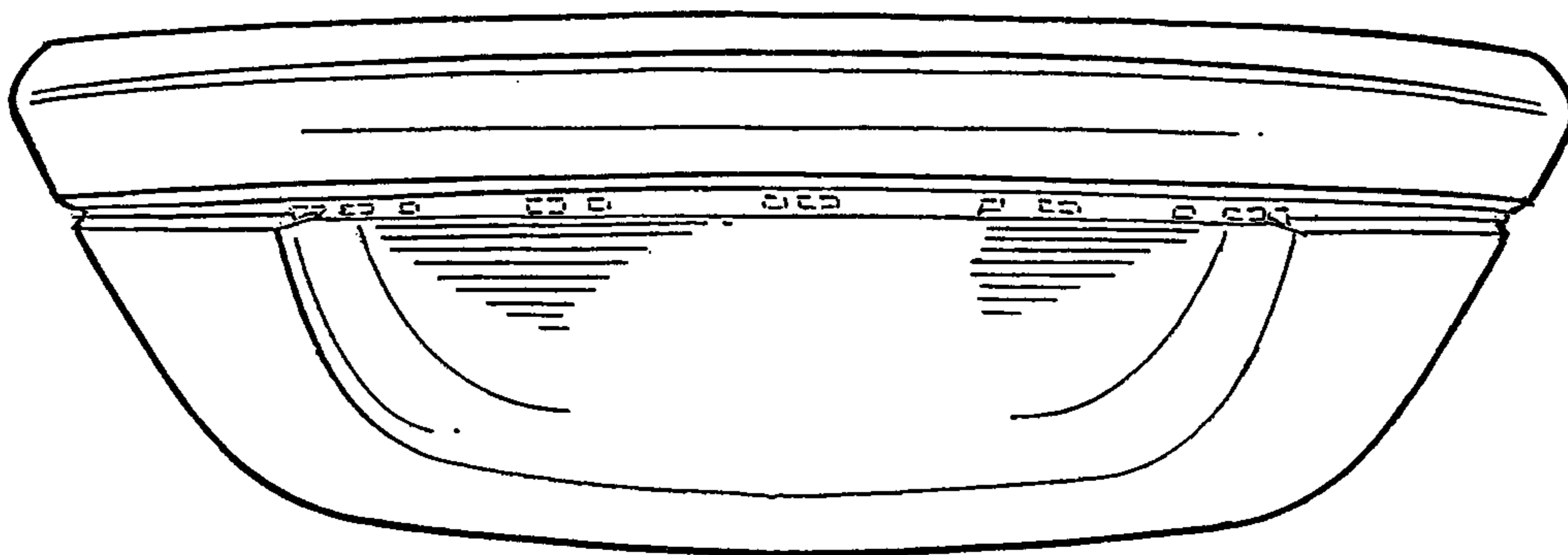


FIG. 2



FIG. 3

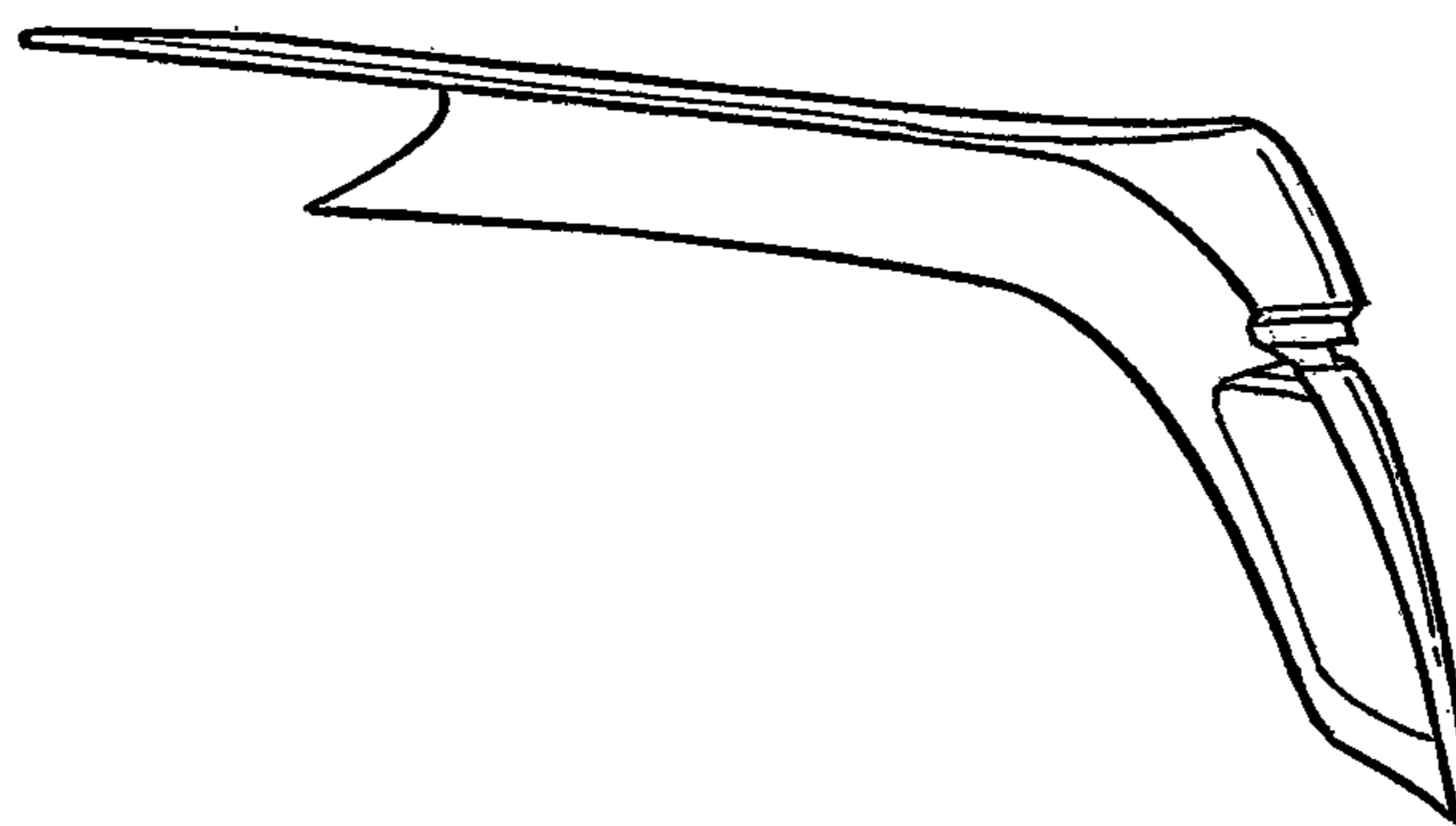


FIG. 4