



US00D703121S

(12) **United States Design Patent**
Lee

(10) **Patent No.:** **US D703,121 S**
(45) **Date of Patent:** **** Apr. 22, 2014**

- (54) **LICENSE PLATE FRAME**
- (71) Applicant: **Cheng Tai Lee**, Tainan (TW)
- (72) Inventor: **Cheng Tai Lee**, Tainan (TW)
- (**) Term: **14 Years**
- (21) Appl. No.: **29/477,972**
- (22) Filed: **Dec. 30, 2013**
- (51) **LOC (10) Cl.** **12-16**
- (52) **U.S. Cl.**
USPC **D12/193**
- (58) **Field of Classification Search**
USPC D12/193; D6/300–302, 310–314;
40/200–204, 207–214; D20/13
See application file for complete search history.

- D531,558 S * 11/2006 Peng D12/193
- D631,416 S * 1/2011 Lee D12/193
- D647,834 S * 11/2011 Spencer et al. D12/193
- D656,077 S * 3/2012 Spencer et al. D12/193
- D656,872 S * 4/2012 Spencer et al. D12/193

* cited by examiner

Primary Examiner — Stacia Cadmus

(74) *Attorney, Agent, or Firm* — WPAT, PC; Justin King

(57) **CLAIM**

The ornamental design for a license plate frame, as shown and described.

DESCRIPTION

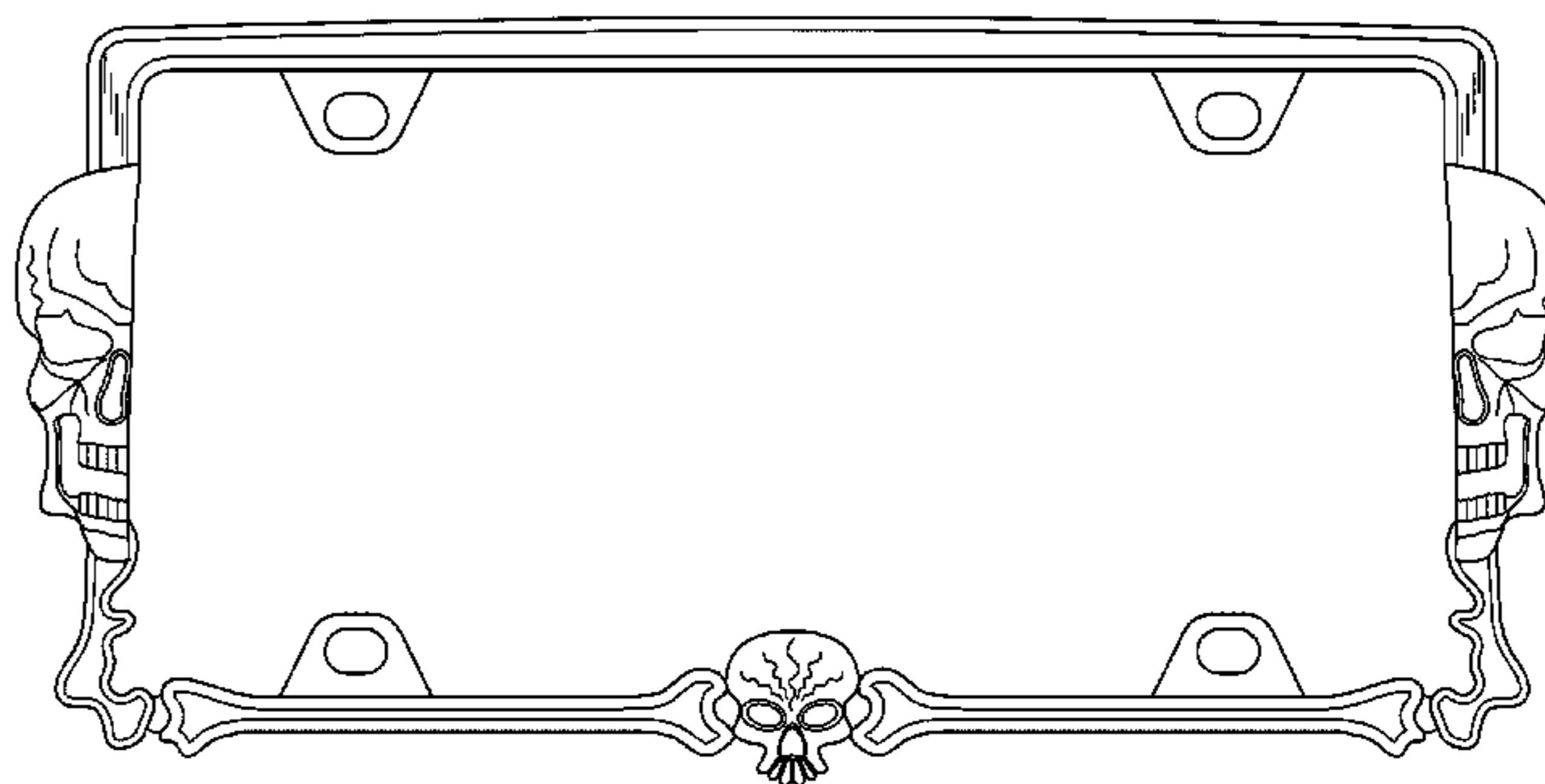
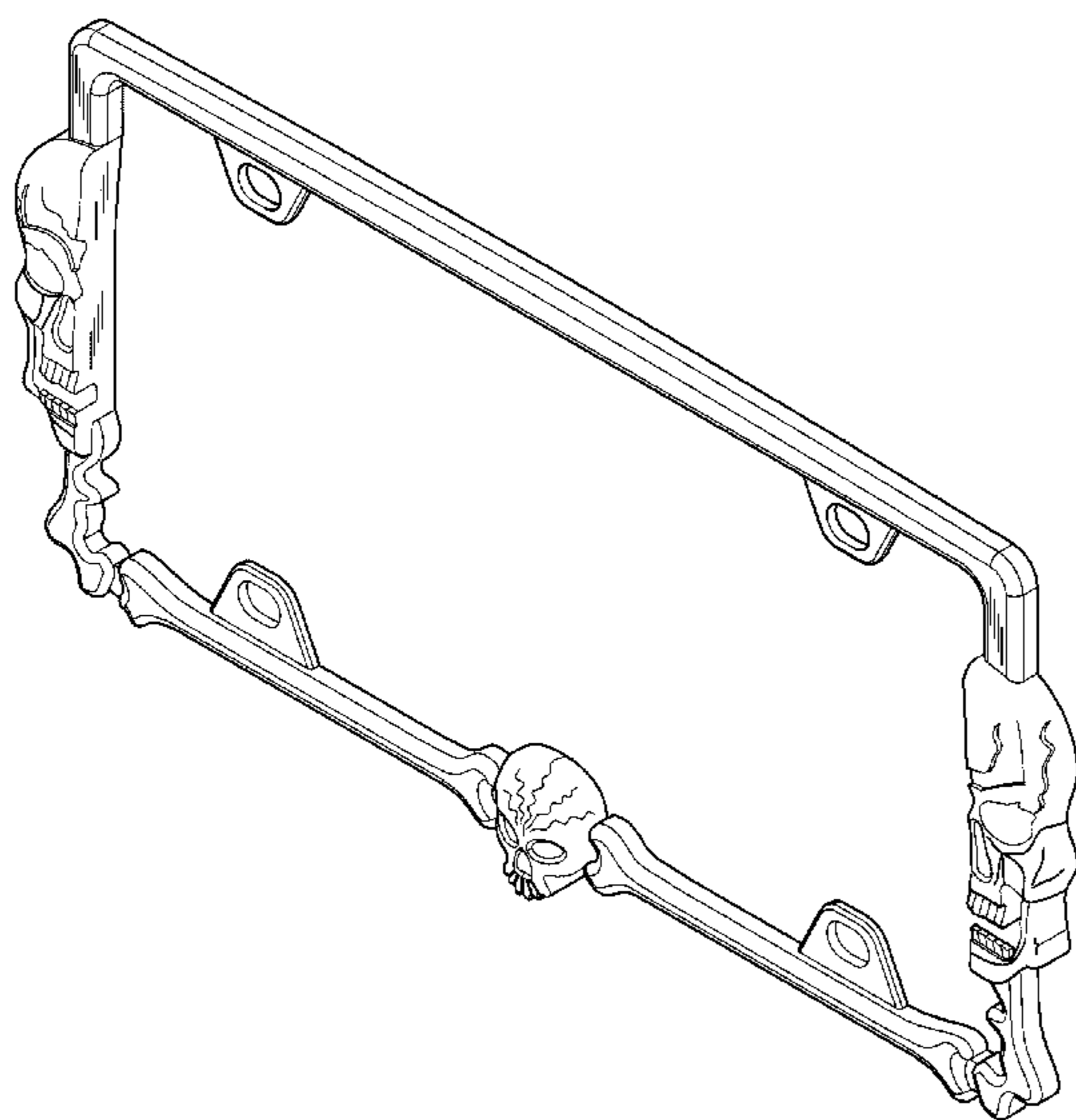
FIG. 1 is a perspective view of a license plate frame showing my new design;
 FIG. 2 is a front elevation view thereof;
 FIG. 3 is a rear elevation view thereof;
 FIG. 4 is a left side elevation view thereof;
 FIG. 5 is a right side elevation view thereof;
 FIG. 6 is a top plan view thereof; and,
 FIG. 7 is a bottom plan view thereof.

1 Claim, 5 Drawing Sheets

(56) **References Cited**

U.S. PATENT DOCUMENTS

- D366,441 S * 1/1996 Wu D12/193
- D441,704 S * 5/2001 Hussaini et al. D12/193
- D477,799 S * 7/2003 Arens D12/193



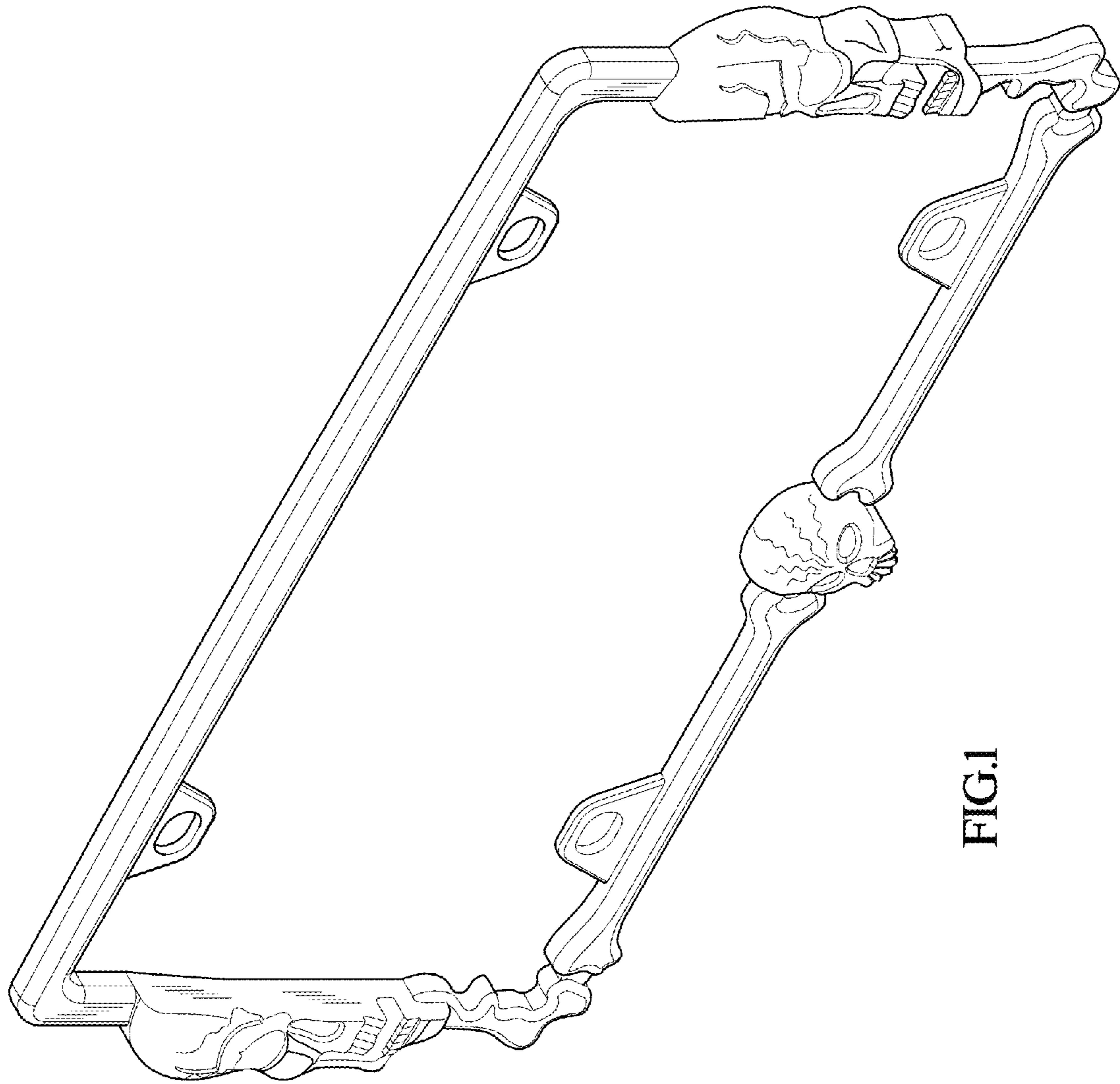


FIG.1

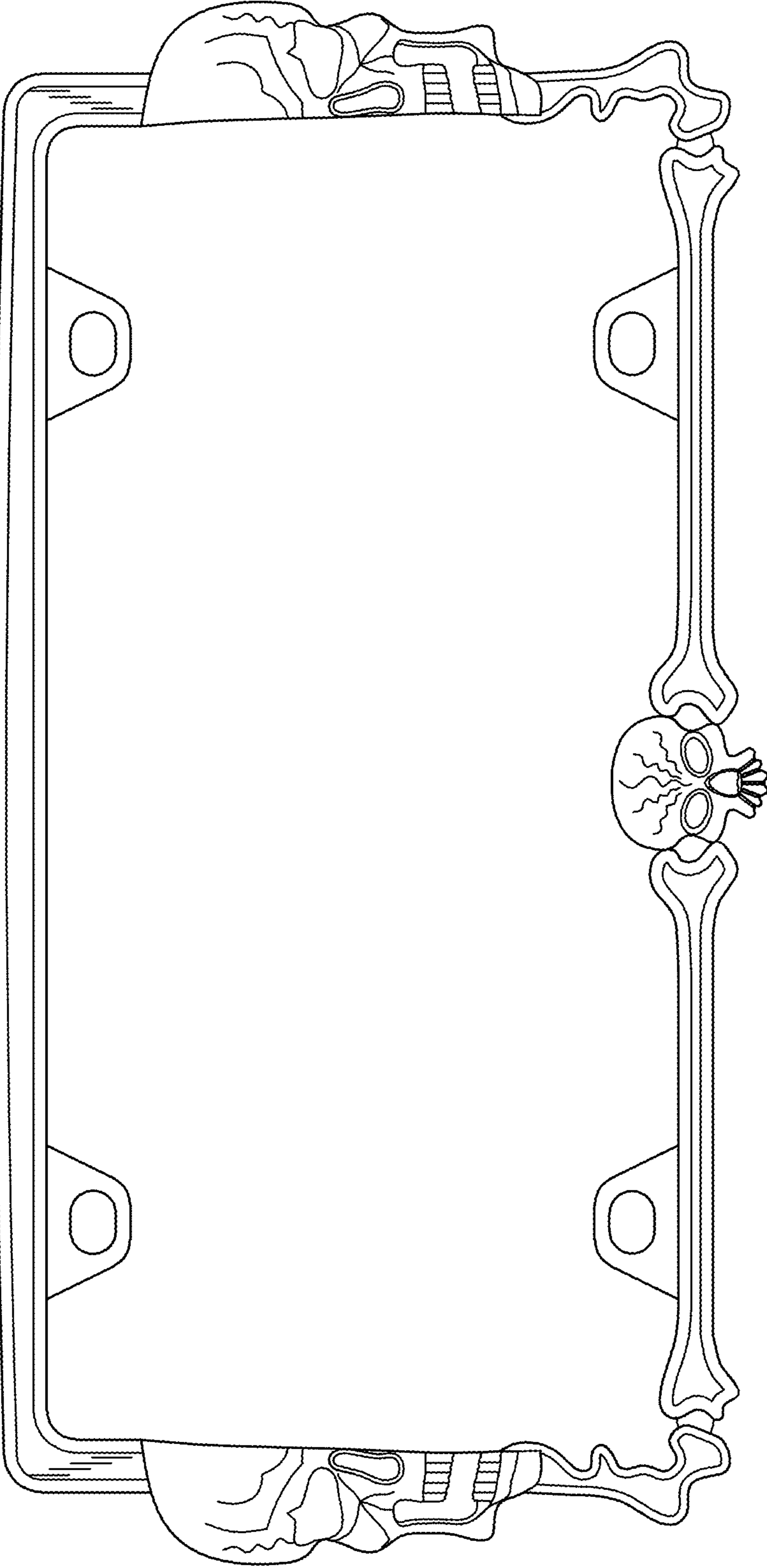


FIG.2

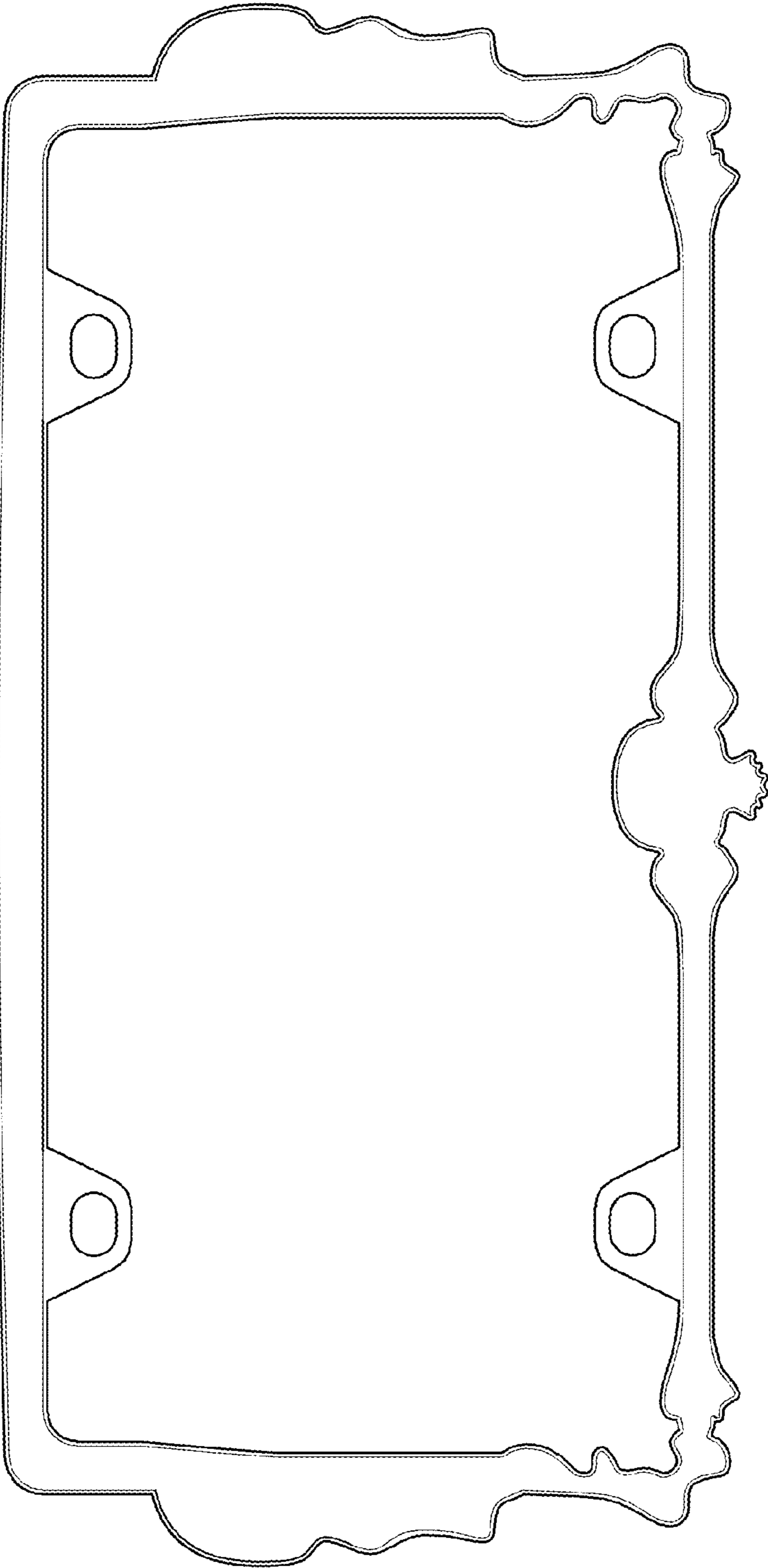


FIG.3



FIG.5



FIG.4

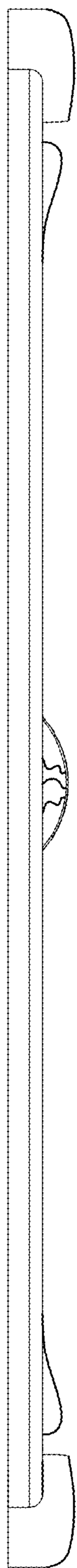


FIG. 6

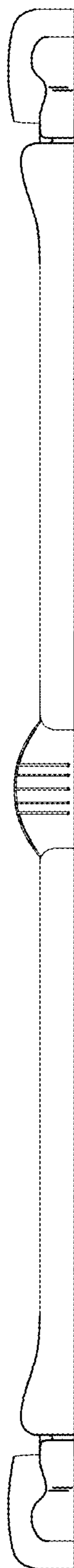


FIG. 7